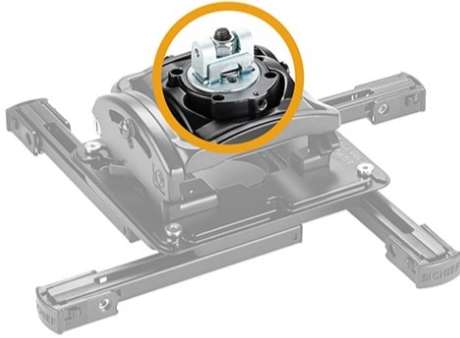


Pin Connection CPA Projector Adapter **SKU: CPA265**



The CPA265 enables the use of Chief RPA, RPM, RSA, & RSM projector mounts with cut-to-length CPA columns. A quick and easy solution for onsite customization.

- Safe working load of 50 lbs (22.68 kg)
- Tension adjustable for a solid connection
- Assembly hardware included
- CMA274 is recommended for external cable management

Specifications

Dimensions & Measurements

Shipping Dimensions	7.8" x 4.25" x 3.4" (198.2 x 108 x 86.4 mm)
Shipping Weight	0.44 kg (1 lbs)
Weight Capacity	50 lbs (22.7 kg)

Characteristics & Features

Accessory Type	<ul style="list-style-type: none"> • Extension • Mounting Hardware
Color	Silver
TAA Compliant	No
UPC	841872171234

Certifications & Warranties

Certifications	UL Listed
----------------	-----------

Source: <https://www.legrandav.com/products/accessories/projector-accessories/pin-connection-cpa-projector-adapter/cpa265>