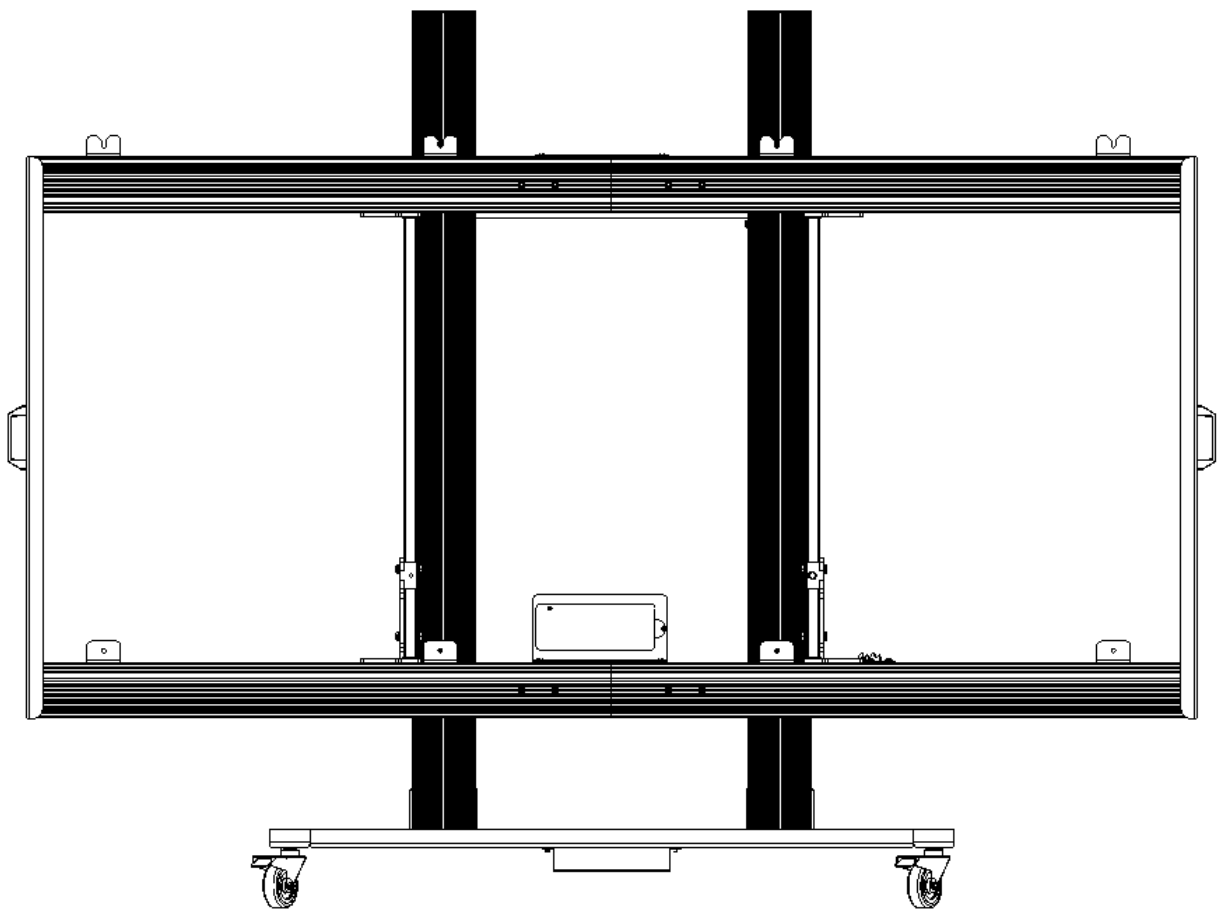


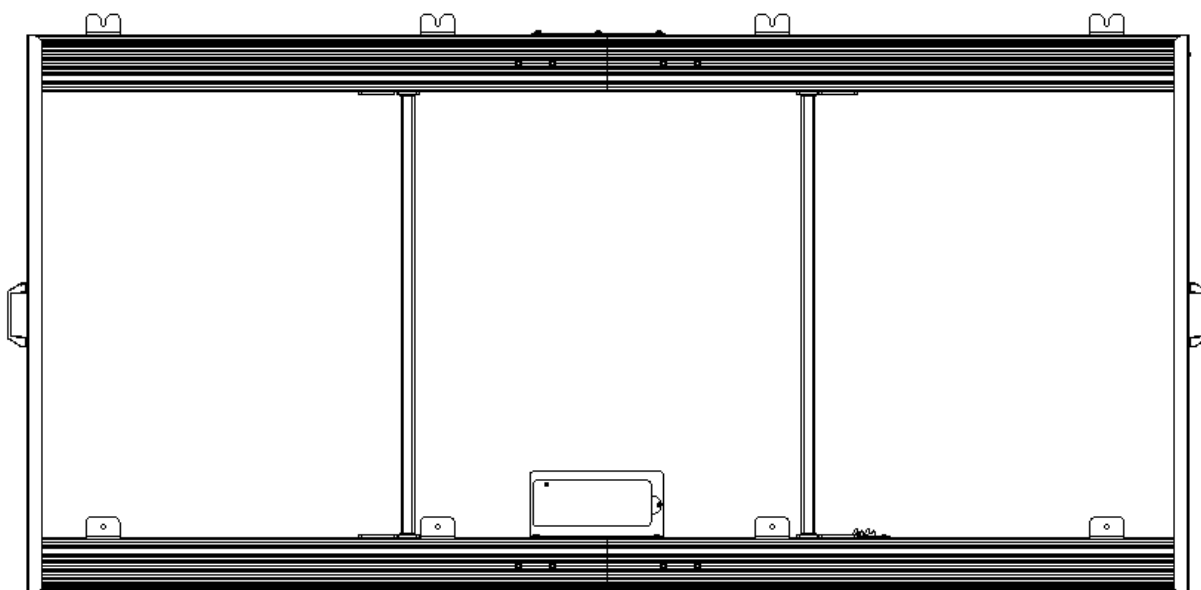
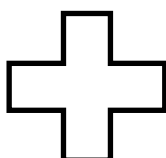
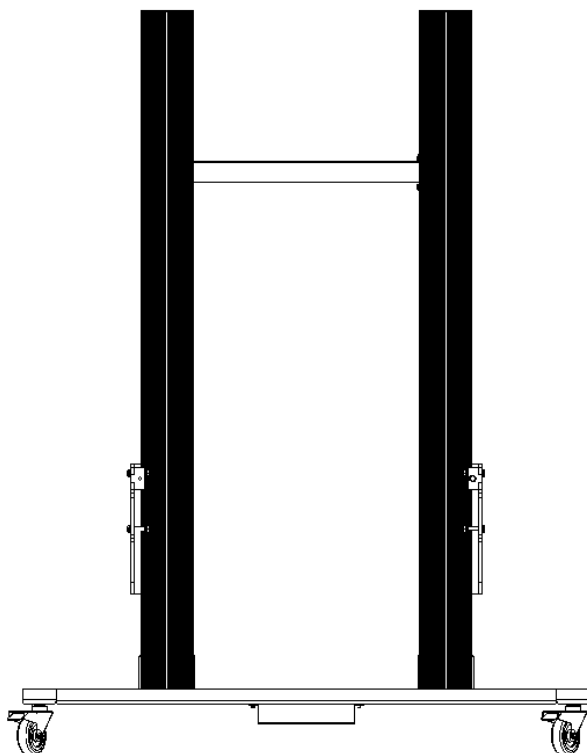
Assembly manual

LSW-T10150



The LSW-T trolley consists out of 2 parts.
1 x standard LSW-T10150 trolley and a brand related LED mounting frame.

This manual will assist in assembling both parts as 1.



This is a universal manual that generally instructs how to assemble the LSW-T150W trolley. Form and shape of the screen frame can vary from the applicable one but function & are equal.

1.

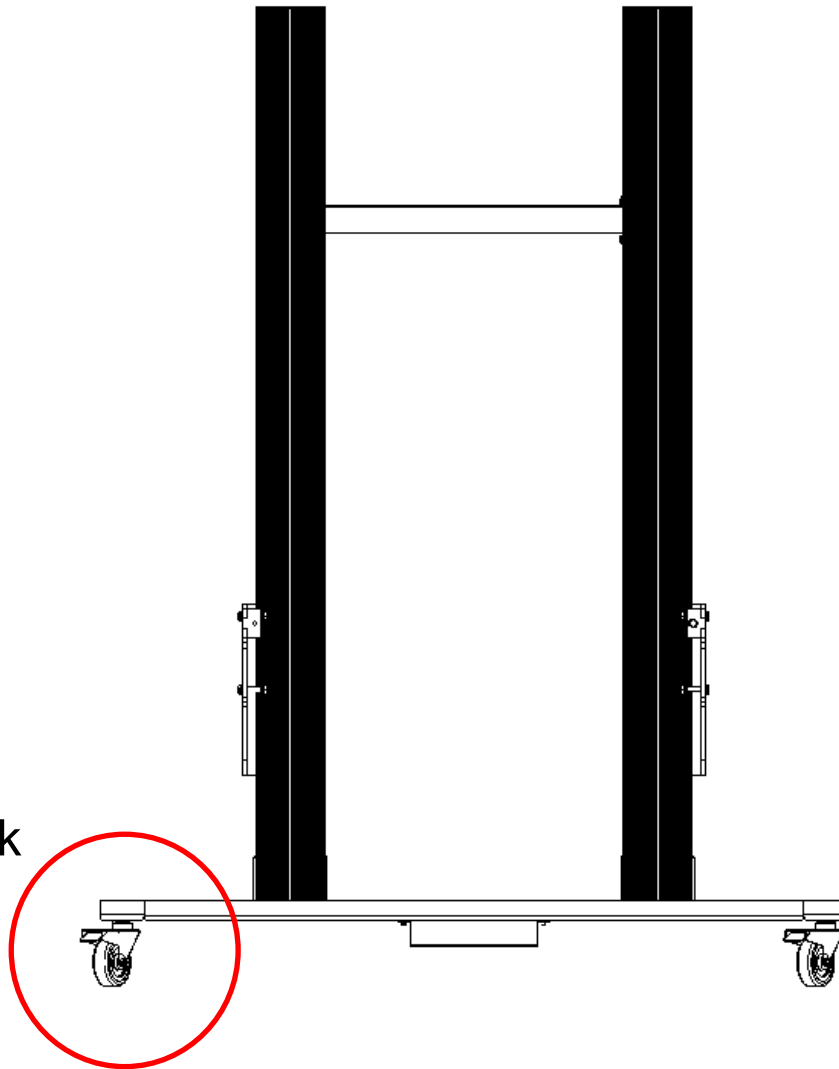
Take away the components from the crate and unpack all items.

a.
Place the trolley on its wheels

b.
Lock all wheels before assembling other parts.



4 x lock



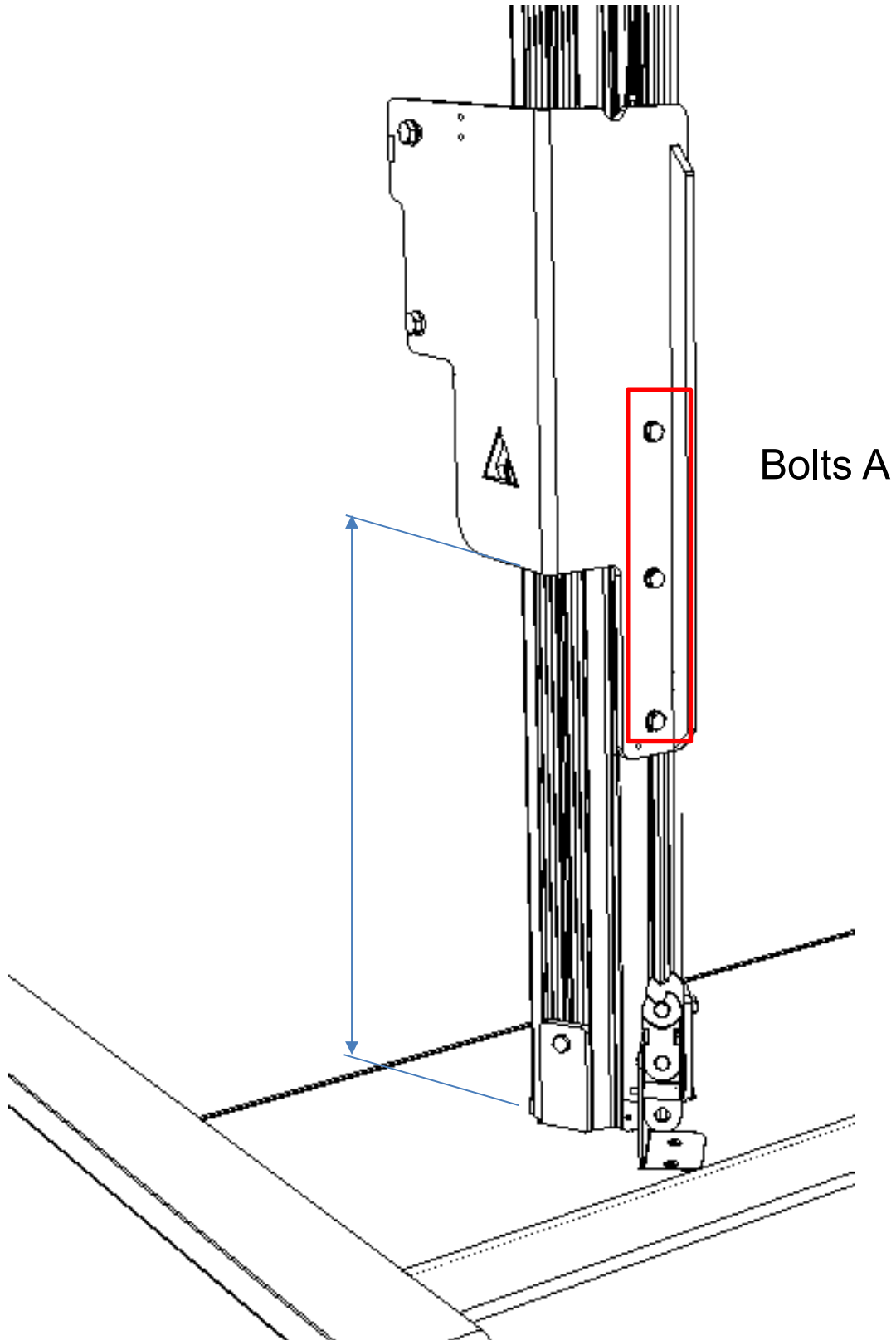
1a.

Before installing the LED wall components, check if the lift frame is level.

If not, this can be adjusted.

Lower the system to the lowest point and measure between the frame and bottom LED frame on the left and right side.

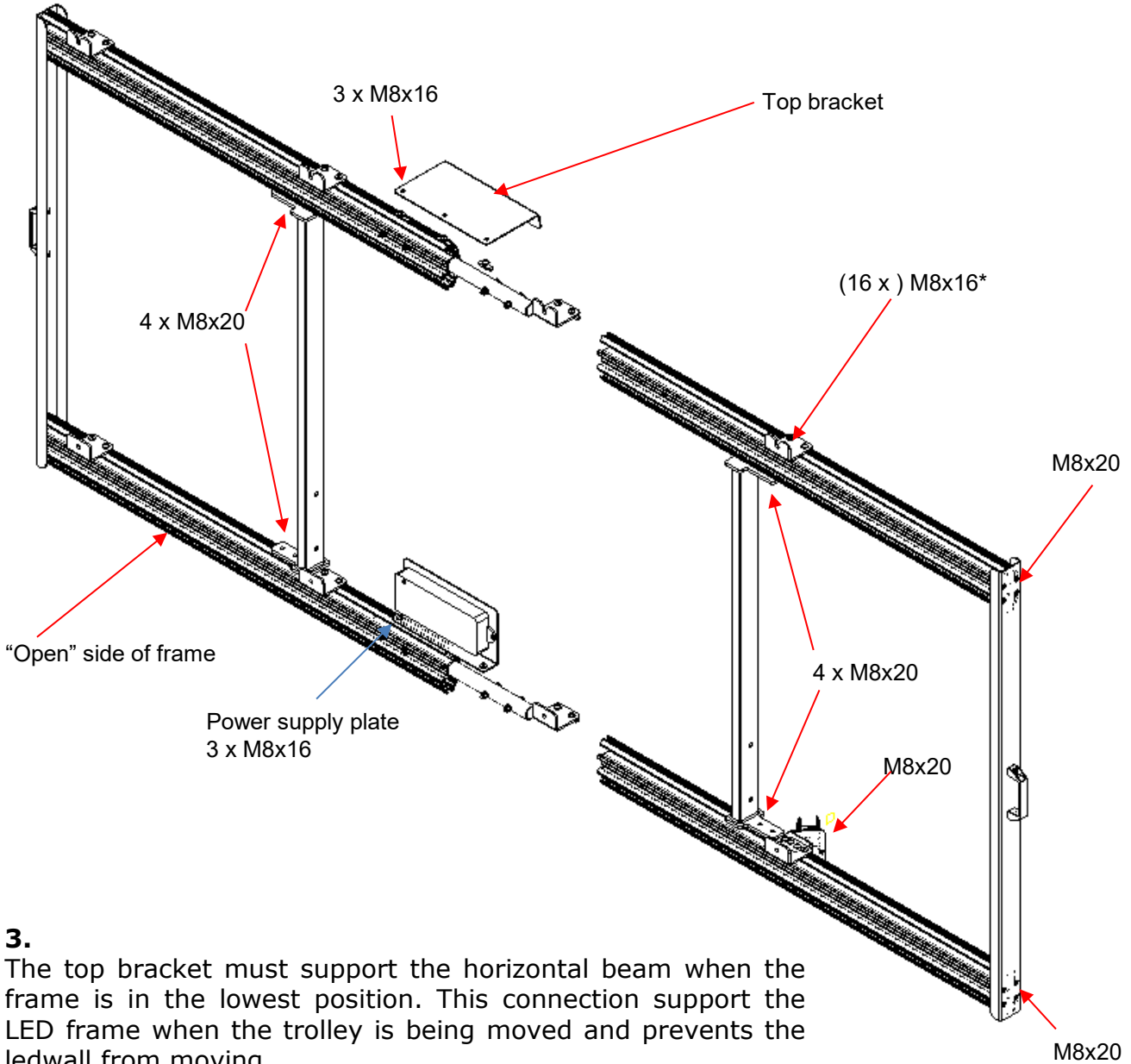
If there are differences, loosening **bolts A**, set the right height, and fasten firmly.



3.

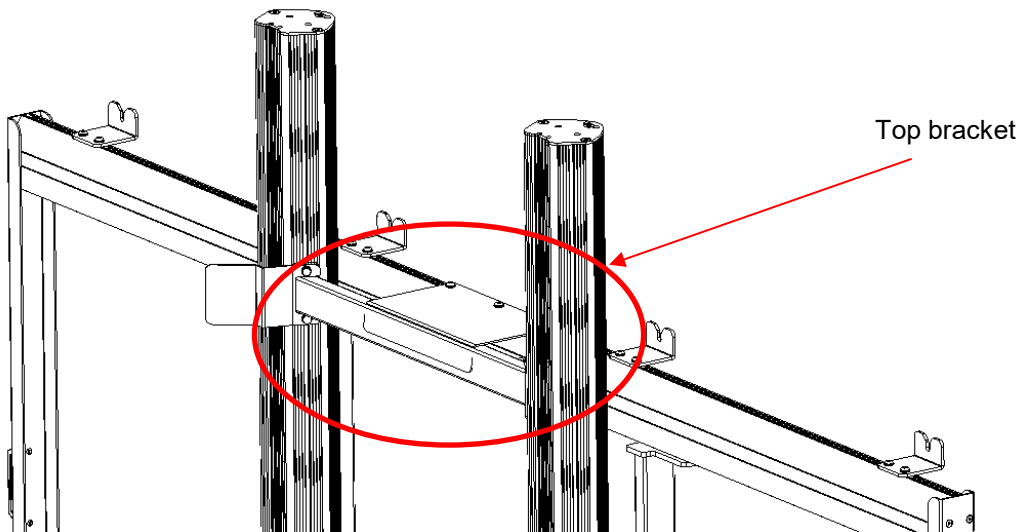
Assemble the frame with the supplied bolts per item.

The top bracket must be aligned with the bar of the lift it serves in lower position.



3.

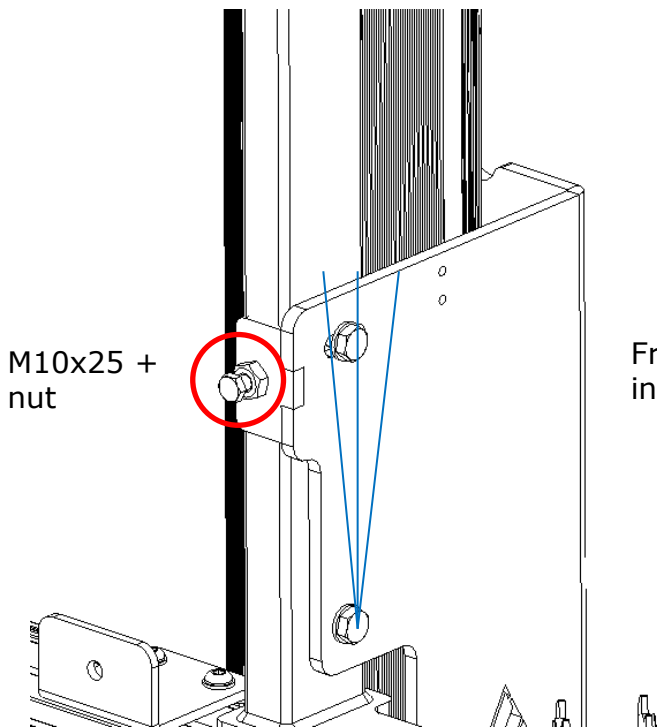
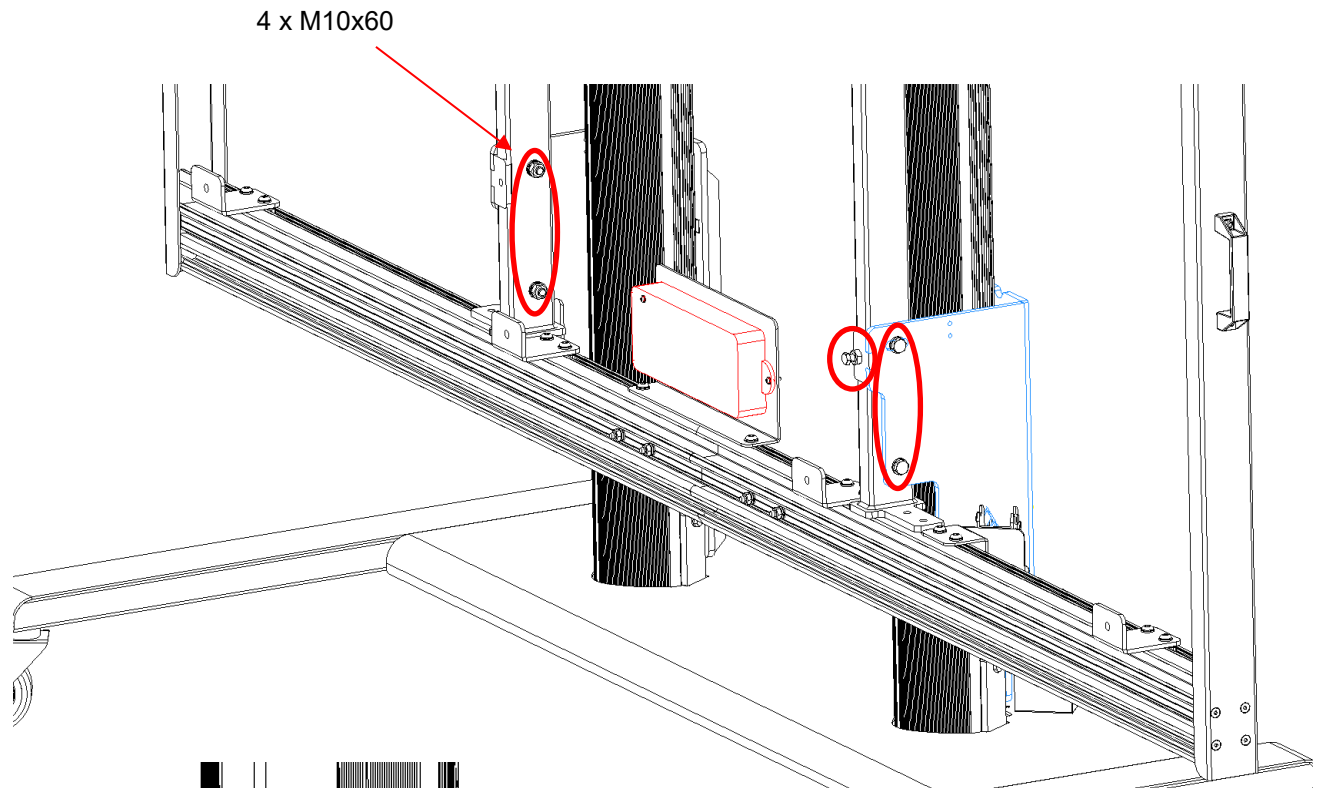
The top bracket must support the horizontal beam when the frame is in the lowest position. This connection support the LED frame when the trolley is being moved and prevents the ledwall from moving.



*, mounting per LED wall may vary

4.

When the frame is assembled, it can be installed to the lifter using 4 bolts. Mount the frame with the bolts to the lifted pieces. The bolts in front are for setting the frame vertical; this is adjustable.



Frame angle micro adjustment after load installation

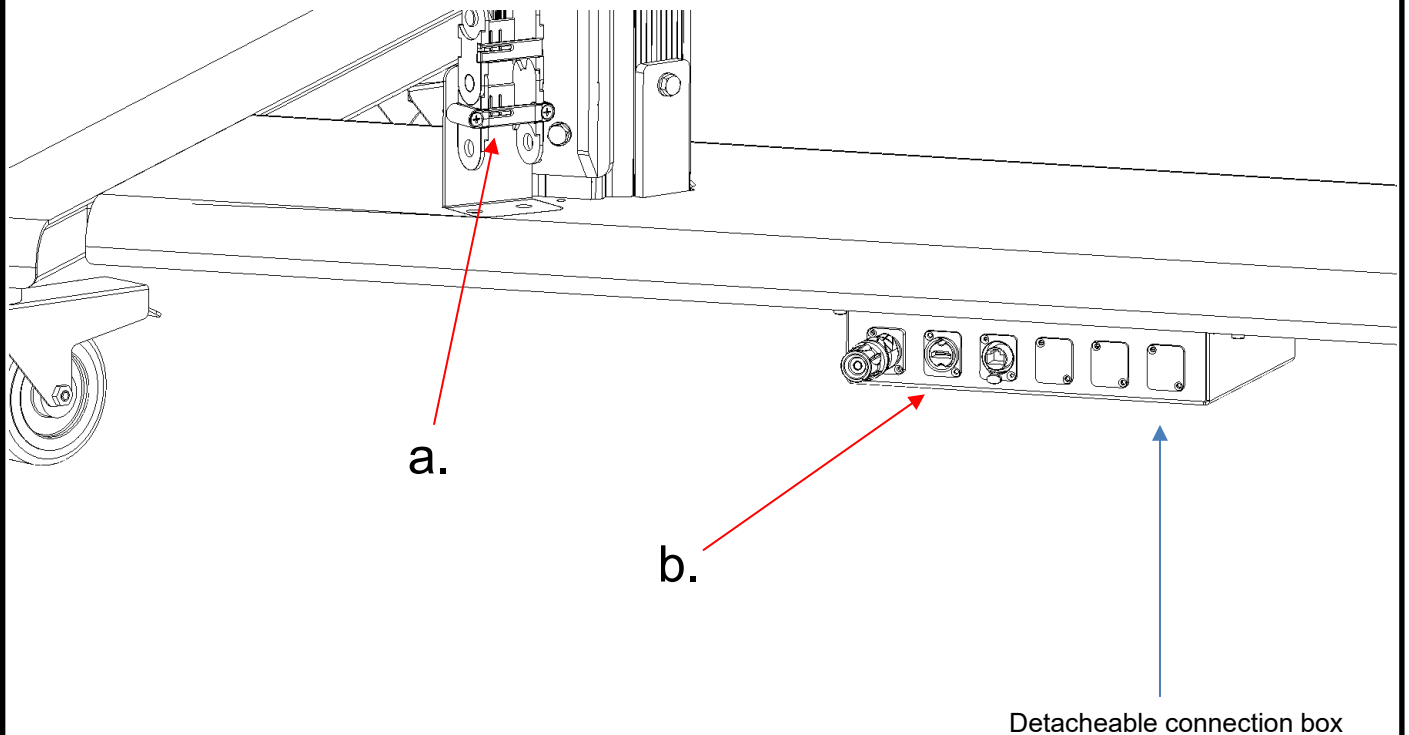
Motor cables and controls.

When the frame is installed, the motor cables must be guided and fixed to the control box.

5.

When the LED is installed, permanent cables can be installed such as power and signal cables.

Via the cable chain (a) and the connection box (b) the cables can be brought up to the led panel.



5a.

In the cable connection box it is possible to install D-sub connectors at your choice.

Warning / attention

- All parts must move without friction, or cables rubbing against moving parts.
- Guide cables in a proper way to prevent them from damaging
- Always lower the trolley before moving it to another spot
- Always lock the wheels when the trolley is being lifted up.

Technical specifications:

Primary power supply 230 VAC 50-60 HZ

Max. load see CE sticker

Audipack's general conditions of sales and delivery apply to all of Audipack's deliveries. These conditions can be downloaded from Audipack's website, www.audipack.com, or will be sent by post on request.

Audipack liefert ausschließlich unter die allgemeine Verkaufs- und Lieferungsbedingungen von Audipack. Diese Bedingungen sind zum downloaden verfügbar auf die Webseite von Audipack, www.audipack.com, oder werden Ihnen auf Anfrage per Post gesendet.

Alle leveringen geschieden uitsluitend volgens de Algemene Verkoop- en Leveringsvoorwaarden van Audipack. Een afschrift hiervan kunt u downloaden van de website van Audipack, www.audipack.com, of wordt u op aanvraag gestuurd per post.

Les conditions de vente et de livraison de Audipack s'appliquent à tous les livraisons de Audipack. Cette conditions sont disponible sur le site internet de Audipack, www.audipack.com, où seront envoyé par poste sur demande.

AUDIPACK
Industriestraat 2
2751 GT Moerkapelle
the Netherlands

Tel: +31(0)795931671

Email: audipack@audipack.com

Support@audipack.com

www.audipack.com

Audipack reserves the right to make changes in specifications and other information contained in this document without prior written notice. The information provided herein is subject to change without notice. In no event shall Audipack be liable for any incidental, special, indirect, or consequential damages whatsoever, including but not limited to lost profits, arising out of or related to this manual or the information contained herein, even if Audipack has been advised of, known, or should have known, the possibility of such damages.