

1

2

3

4

5

6

A

B

C

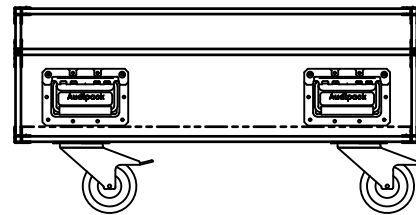
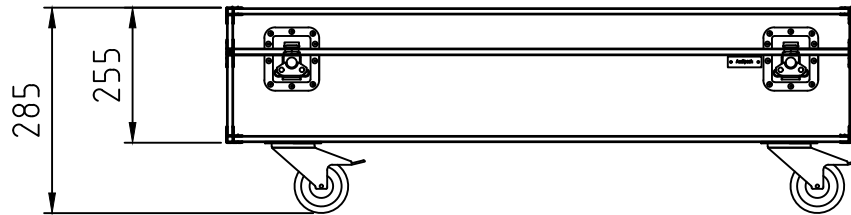
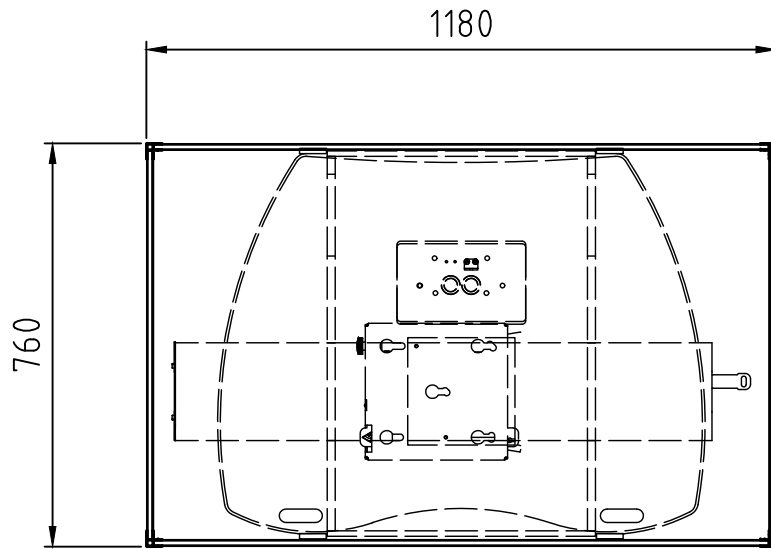
D


A

B

C

D



 AUDIPACK Industriestraat 2 7251 GT Hoeragapelle The Netherlands tel. +31(0)795931671 fax. +31(0)79593115 www.Audipack.com	Material: Treatment:	TOLERANCES, UNLESS NOTED OTHERWISE: ISO 2768-m
	Drawn by: Name: Julian Date: 26-03-2024 Checked by: Appr. by:	Sheet: 1 of: 1 Scale: 1:15 Format: A4
© COPYRIGHT AUDIPACK This print and the information shown thereon, is the property of AUDIPACK. If any not be delivered to others nor reproduced for general circulation without the written consent of the AUDIPACK engineering department	Description: Dimensional drawing	Part Number: FCFS-942T

1

2

3

4

5

6