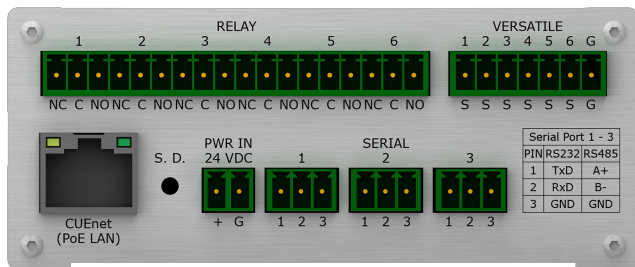


smartCUE-relay

Lightweight controller with Serial, Versatile, and Low-voltage relay ports

Product code: CS0496



Main Features

- Wired 10/100 BaseT LAN for CUEnet² system communication
- IP device control and e-mails are not supported
- 3x Bi-directional RS-232/485 port
- 6x Versatile port
- 6x Low-voltage relay
- ARM® processor platform
- Onboard real-time clock
- IR code capture sensor
- Front panel indicators
- 24 VDC or Power over Ethernet power supply
- Compact aluminum enclosure for desktop and 19" rack
- Web server and Admin Web pages for setup

Description

The smartCUE-relay is a lightweight controller with three bi-directional RS-232/485 control ports, six versatile ports, and six low-voltage relays. Fully compatible with CUE touch panels, this controller can work as a standalone device. Depending on the application each versatile port can be used as an input or output.

The controller keeps date and time with its onboard real-time clock (RTC), thus allowing for a wide variety of distributed intelligence scheduling applications. A single cable Ethernet connection provides system communication with the rest of the Cue System.

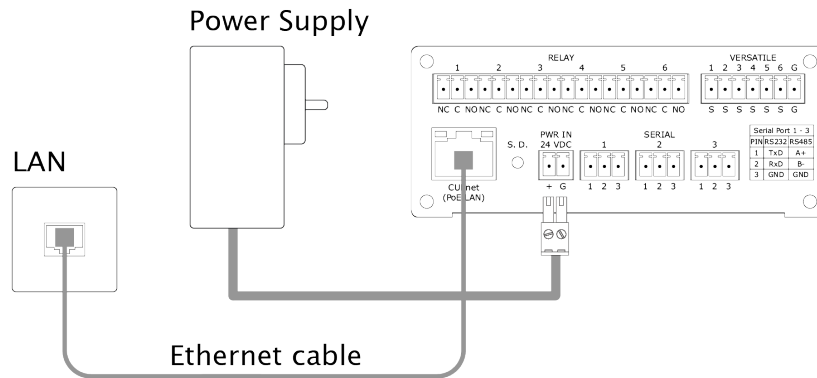
The controller is equipped with Power over Ethernet (PoE) technology enabling an Ethernet network cable to deliver both data and power. The controller installs easily on a table or into a 19" rack.

This controller comes with a web server and allows set up through a standard web browser. Unit programming is based on CUE's standard programming tool Cue Visual Composer.

Power supply and LAN Connection

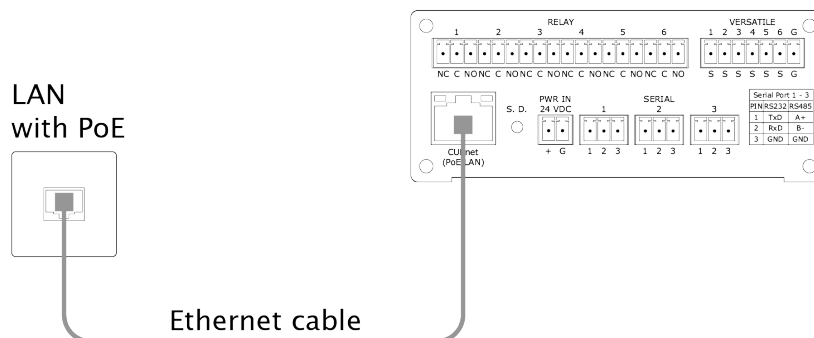
Power Supply 24 VDC

Delivered power supply 24 VDC can be used for areas without PoE infrastructure.



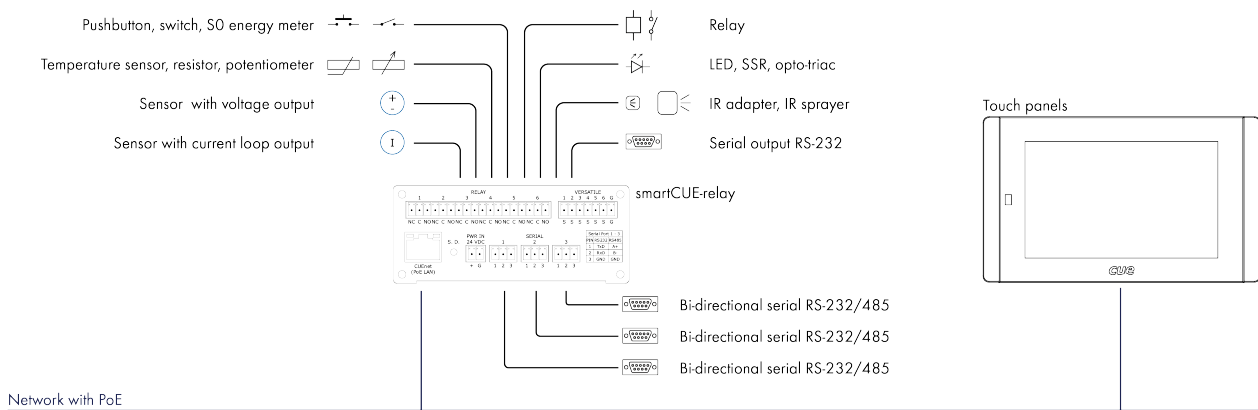
PoE Power Supply

The integrated IEEE 802.3af PoE support allows installation in areas where PoE network infrastructure is installed.



Note: Use only one of the power ways, do not connect the 24V power supply if you are using PoE

Application diagram



Specifications

Control ports

- IP control port
- 3x Bi-directional RS-232/485 port
- 6x Versatile port
- 6x Low-voltage relay

Internal IR sensor

- IR code capture

LED indicators

- Blue Power - indicates power is presented and the unit is ready.
- Green Link - indicates network link and activity.
- Yellow CPU - confirms the system default function is performed.
- Green Versatile - indicates the output is closed.
- Yellow Versatile - indicates IR or serial data is being transmitted.
- Green Serial - indicates serial data is being transmitted.
- Red Serial - indicates serial data is being received.

Button

- System Default sets default IP address and password.

Real-time and date

- RTC with battery backup

Software technologies

- Admin Web
- XPL2 inside

Power supply

- 24 VDC (+/-20%), 3 W, 2-pin 3.5 mm connector
- Power over Ethernet, 802.3af compatible

Physical

- Compact aluminum enclosure
- Dimensions 105 x 43.5 x 92 mm / 4.14" x 1.7" x 3.6"
- 1/4 rack space, 1 U
- Weight 0.3 kg / 0.7 lb

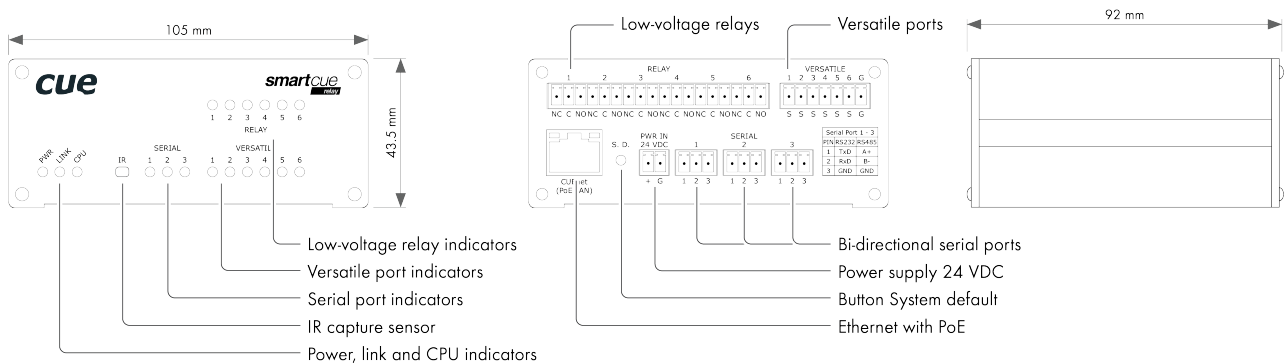
Network

- 10/100 BaseT Ethernet , RJ-45 connector
- System communication based on CUEnet² only
- IP device control not supported
- E-mails not supported

Environment conditions

- Operating temperature 10° to 40° C
- Storage temperature 0° to 60° C
- Relative humidity 10% to 90% non-condensing

Mechanical description



Box contents

- Controller smartCUE-relay
- Connector set
- Ethernet cable
- Power supply 24 VDC / 24 W
- Quick Start

Order Information

- Product code CS0496

Documentation

More information can be found in CUE Documentation:

- Controllers Setup Guide
- smartCUE-relay Quick Start