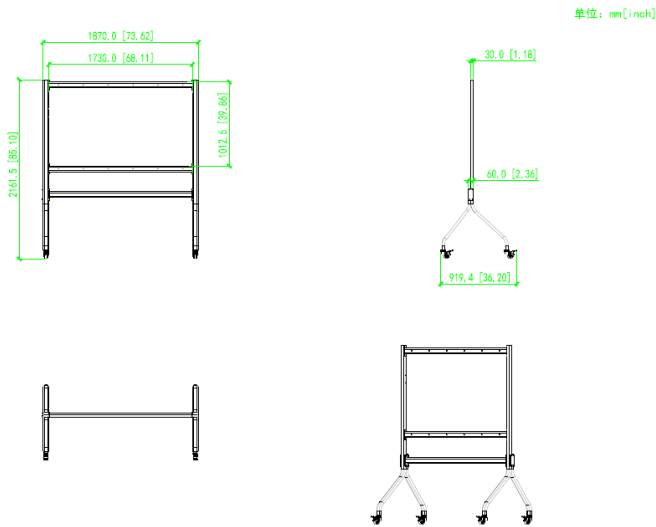


# DHI-PKC-MS2E



## Technical Specification

### Model

Model	DHI-PKC-MS2E
-------	--------------

### General

Net Weight	40 Kg
Gross Weight	100 kg
Product Dimension (W×H×D)	1870*919.4*2161.5 mm
Package Dimension (W×H×D)	2270*923*343 mm