

MBVP1500

Ceiling Mount for Modular Menu Board Systems



MBVP1500 is a robust ceiling mounting solution designed for modular menu board installations. As part of the WMB series, it allows two products to be connected, enabling the creation of suspended menu boards of virtually any required length – without visible height adjustment mechanisms.

The mount is engineered for professional AV and digital signage environments, combining a clean, minimalist design with high durability. Thanks to its modular construction, MBVP1500 offers flexibility in system configuration while ensuring a stable and secure installation.

FEATURES:

- Ceiling mount for modular menu board systems
- Compatible with WMB series components
- Enables suspended installations with customizable height (no visible adjustment)
- High load capacity for professional displays
- Durable steel construction with black finish

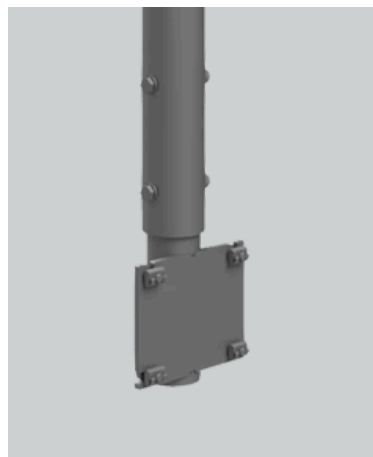
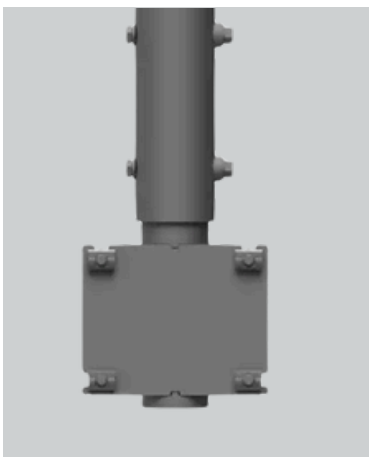


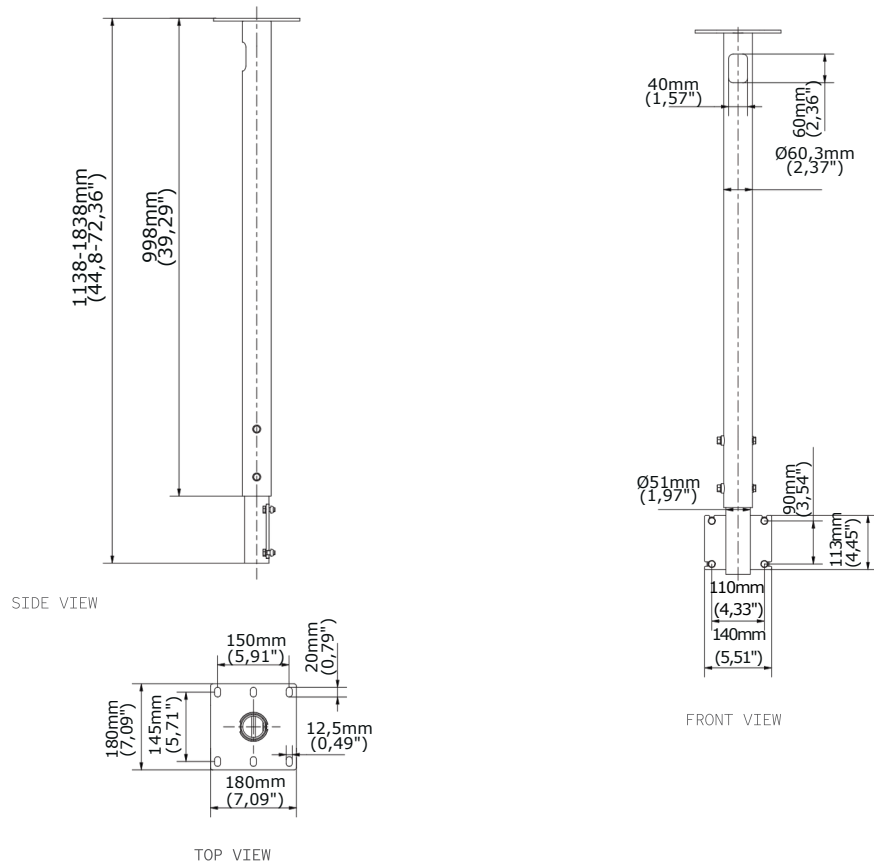
40 kg



PRODUCT SPECIFICATIONS

Short index	MBVP1500
Category	Menu Board
Colour	Black
Warranty	Limited 5-years
Maximum load	40 kg
Product weight	9,5 kg (20,94 lb)





LOGISTICS DATA

SAP INDEX	EAN CODE	COLOUR	PACKAGE DIMENSIONS	PACKAGE WEIGHT
WUSC-MBVP1500	5902841105836	BLACK	1300 x 200 x 190 mm 51,18 x 7,87 x 7,48"	10,32 kg 22,75 lb

HS Code (Harmonized System): 732690, HTS Code (Harmonized Tariff Schedule): 7326909890, Country of Origin: Poland