

VWM.ARMS

Arms for Modular Menu Board



VWM.Arms are sturdy mounting arms designed for modular menu board systems, providing a reliable and flexible solution for professional AV installations.

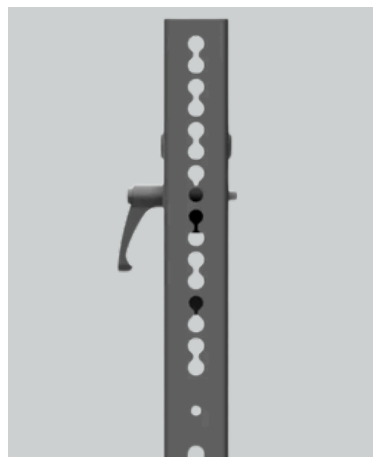
The arms are engineered to ensure secure mounting of displays while allowing precise alignment within modular menu board structures. Thanks to their solid steel construction, VWM.Arms guarantee stability, durability, and long-term performance in demanding commercial environments

FEATURES:

- Designed for modular menu board systems
- Strong and durable steel construction
- Supports displays weighing up to 40 kg (88 lbs)
- Slim and compact design for discreet installations
- Ideal for commercial AV, QSR, and retail environments



40 kg

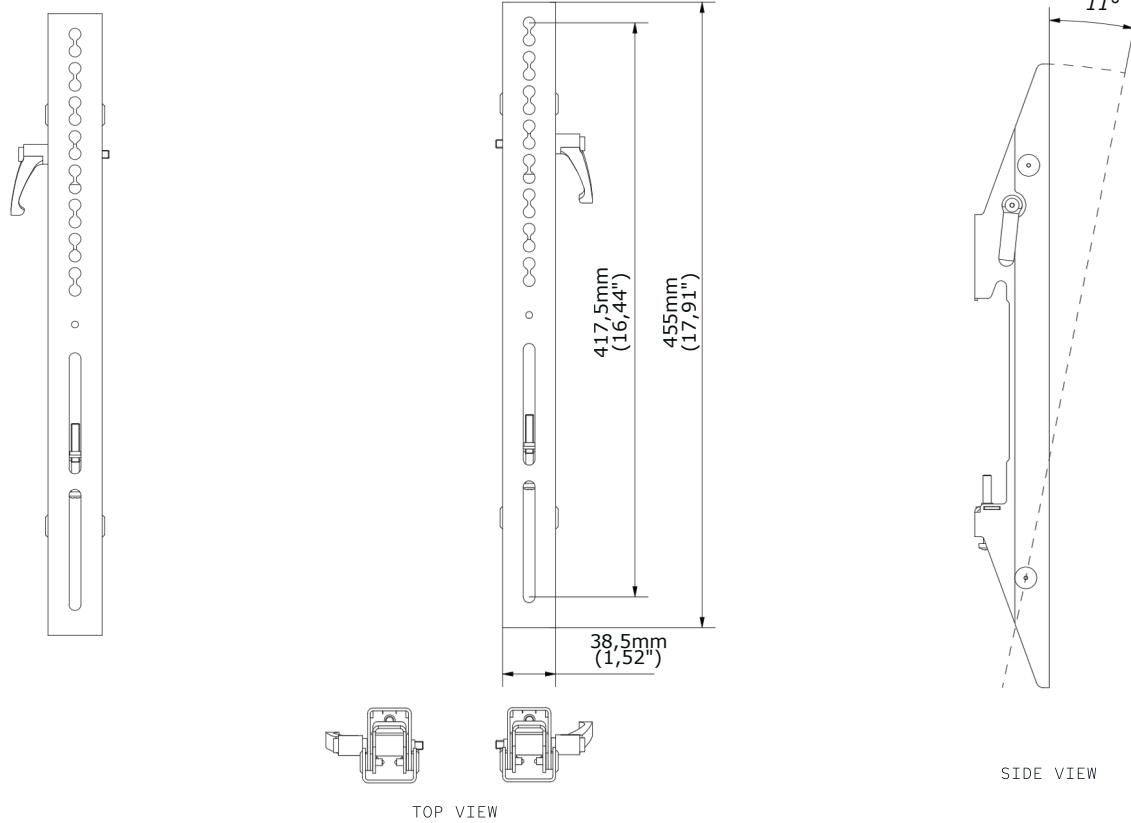


PRODUCT SPECIFICATIONS

Short index	VWM.ARMS
Category	Menu Board
Colour	Black
Warranty	Limited 5-years
Maximum load	40 kg
Product weight	2 kg (4,4 lb)

TECHNICAL DRAWING

FRONT VIEW



TOP VIEW

SIDE VIEW

LOGISTICS DATA

SAP INDEX	EAN CODE	COLOUR	PACKAGE DIMENSIONS	PACKAGE WEIGHT
WUSC-VWM.ARMS	5902841105089	BLACK	548 x 180 x 40 mm 21,57 x 7,08 x 1,57"	2,2 kg 4,85 lb

HS Code (Harmonized System): 732690, HTS Code (Harmonized Tariff Schedule): 7326909890, Country of Origin: Poland