



M4KE | IT | VISIBLE

The FOLD! 4K is first-class both optically and mechanically. The ultra-thin display extends forward like a robot arm. And when extended, it remains as an elegant tablet above the table surface. And equipped with a brilliant 4K **touchscreen**, it can be used like a tablet - in a comfortable working position and at any tilt angle for the best view. Of course, a version without touch is also available on request.

Ultra mobile & UltraHD

The 4K version of the FOLD! is not only the only motorized fold-out touchmonitor worldwide. The **FOLD! 4K** - unparalleled in its class - offers a native resolution of 3,840 x 2,160 pixels.

The FOLD! 4K, once whisper-quietly unfolded, assumes the ideal tablet position on the table, yet is not a stand-alone device, but a part of professional AV media technology - with all the security features and functionality needed for a meeting or conference room.

FOLD! 4K | Robotlike UHD Touchscreen

**ELEMENT ONE
Multimedia GmbH**

Zum Murgdamm 5
76456 Kuppenheim
Germany

Fon: +49 (0) 7222 966 54 20

Mail: info@element-one.de

www.element-one.de



Impressive Look & Feel

With a compact 17.3" diagonal screen size, **whisper-quiet mechanics**, and a razor-thin monitor, it's made for modern collaboration and meeting spaces.

The use of excellent materials and a **precise stepper motor drive** makes the **FOLD! 4K** a future-proof ProAV investment in the 4K signal environment.

Features

- Ultra HD resolution
- 8mm slim monitor housing made of silver anodized aluminum
- 2mm hardened & anti-reflective protective screen
- Compact housing dimensions
- LightWeight, LowNoise,
- LowEnergy design
- 5 years limited warranty
- 2x stepper motors 12V & precise mechanics
- Electronic clamping protection plus mechanical protection in case of maloperation
- Manual extension function "DirectAxleAccess" for service, maintenance, installation

Option :RotoCam



Perfect Look & Feel:
ULTRAHD TouchMonitor

Great Impression:
8mm Blade-Design | Glass | Aluminium

Smooth Operation:
Whisper-quiet & Precise Motion

Smart Installation:
TCP/IP Remote Control

FOLD! 4K | Robotlike UHD Touchscreen



ELEMENT
ONE

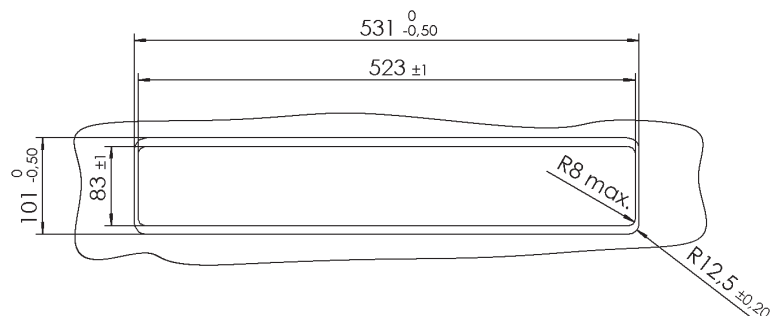
TECHNICAL DATA

Product Specification

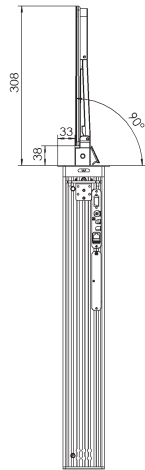


Art.No.	200-173-T IP FOLD 4K TOUCH	Screen size:	17,3" (16:9)
Type	FOLD! 173 4K TOUCH	Resolution:	3,840 x 2,160 - Ultra HD, 16,7M colors (RGB 8-bit)
Function	<p>Vertically retractable TouchMonitor; furniture integratable 17.3" TouchMonitor system with capacitive USB-multitouch system for fingers and pens, with electromechanical drive / lifting system of integrated 8mm slimline aluminum display; automatic display tilt 0°- 60°; inverse, vertical movement; Control via push-button on the device or via remote control interfaces (TCP / IP or contact); Manual lifting DirectAxleAccess for service, maintenance, installation purposes.</p> <p>Low noise <40dB; two 12 V stepper motors with precise synchronization - for simultaneous operation when using multiple monitors; independent electromotive adjustment of the inclination angle - both central presetting via remote interface as well as individual adjustment by user.</p>	Brightness:	300 cd/m ²
Material	Monitor: Milled aluminum, anodized, 2 mm anti-reflective protective screen Mechanics: Anodized aluminum & stainless steel; mounting frame and closure: stainless, brushed	Contrast ratio:	(typ.) 800:1
		Viewing angle:	Horizontal 178° / vertical 178°
		Response:	16msec (typ.)
		LED Life span:	up to 15,000 hrs
		Mass:	12.5 kg
		Dimensions:	530 x 100 x 586 mm (LxWxD)
		Power Consumption:	typ. 15 Watts
		Pwr. Consumpt. Monitor:	OFF: 0.12 Watts, Sleep: 0.60 Watts, ON: 14 Watts
		Inclination angle:	15°-90°
		Height Monitor elevated:	305mm at 90° / 112mm at 15°
		2x stepper motor:	Display motion & Tilt function
		Video interface:	HDMI, Displayport*; HDCP compliant
		Touchscreen interface:	Capacitive USB multipoint touch overlay for finger and pen
		Remote control:	9-pin d-sub serial + RJ45 TCP/IP for device operation - and adjustment of motion parameter and firmware update (E1 connection cable & software required)
		Scope of supply:	Power adapter - Input: 100-240V AC, 50 / 60Hz. 1.5A; Output: 12V 60W MAX 5.A (DC ~ 140cm) power cord 1.5m

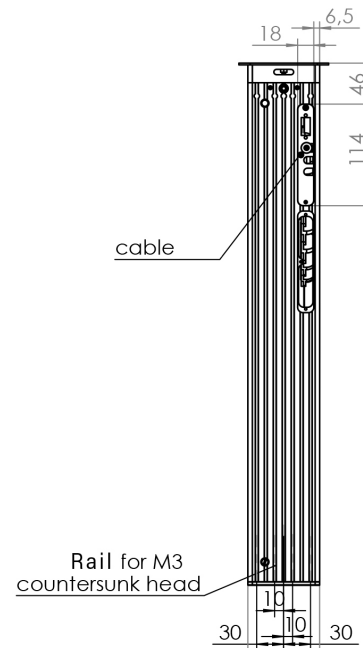
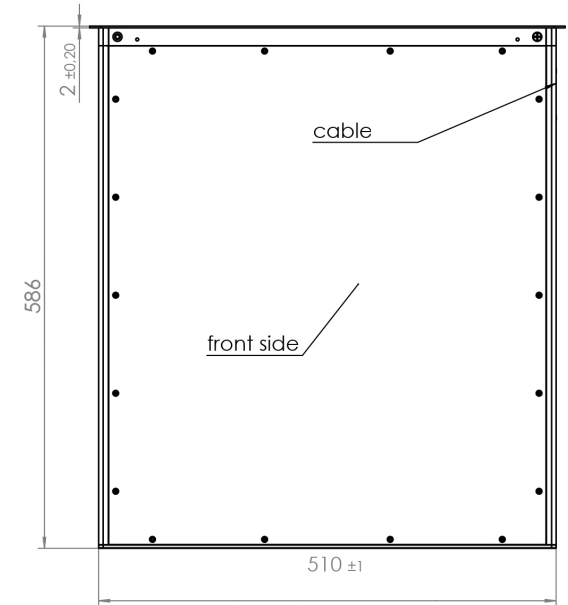
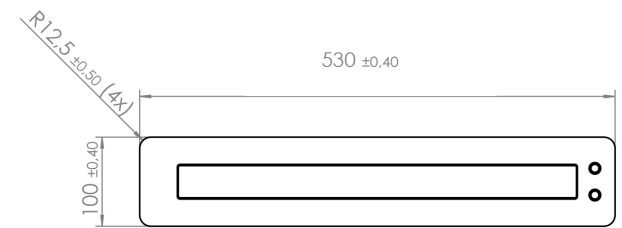
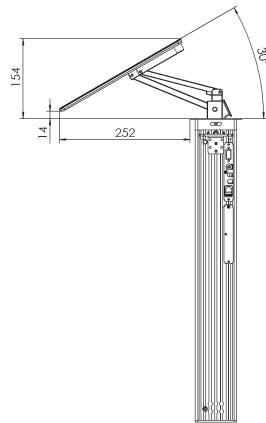
* optionally, instead of HDMI



Closed 90°



max angle 30°



Dimensions



ELEMENT ONE
Multimedia GmbH
 Zum Murgdamm 5
 76456 Kuppenheim
 Germany
 Fon: +49 (0) 7222 966 54 20
 Mail: info@element-one.de
www.element-one.de