

WALL FLOOR SUPPORT

Col. ● ●

MIN VESA 400X400 MAX VESA 600X400



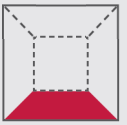
109-165CM  
43-65"



80KG  
176LBS



FLOOR



# Table Touch Base



Le gambe dei tavoli per monitor touch sono il giusto mix di eleganza e praticità. Sono adattabili per ospitare monitor con dimensioni da 43" a 65". Le solide gambe in ferro verniciato possono essere nere (RAL9005) o bianche (RAL9016). Si consiglia di verificare la compatibilità con il monitor in fase di acquisto.

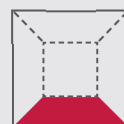


The table legs for touch monitors are the right mix of elegance and practicality. They are adaptable to accommodate monitors from 43" to 65". The solid legs in painted iron can be black (RAL9005) or white (RAL9016). It is recommended to check the compatibility with the monitor at the time of purchase.

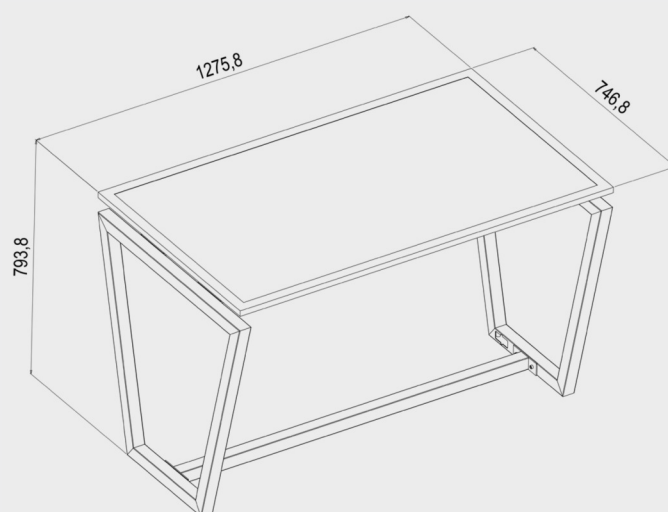
MODEL	black (ral9005)	white (ral9016)	screen dimension	order code
table legs 43 bk	X		43	09202
table legs 49-50 bk	X		49/50	09203
table legs 55 bk	X		55	09204
table legs 65 bk	X		65	09205
table legs 43 wh		X	43	19202
table legs 49-50 wh		X	49/50	19203
table legs 55 wh		X	55	19204
table legs 65 wh		X	65	19205

Targeted to Professionals

FLOOR



Totem, Housing & Table



ESEMPIO PER MONITOR 55" - EXAMPLE FOR SCREEN 55"