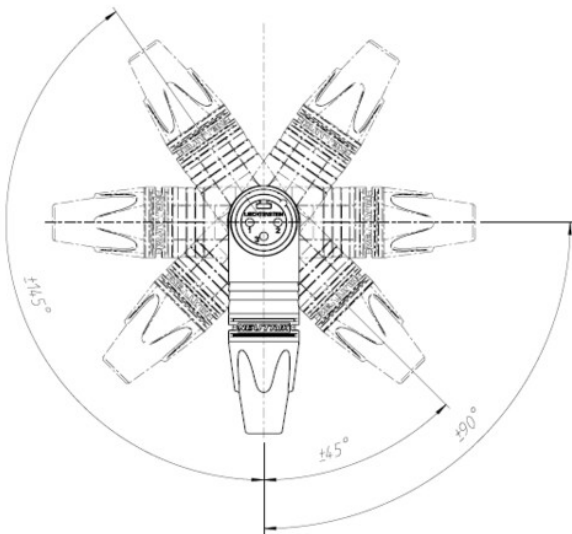




NC3MRX

3 pole right angle male cable connector, nickel housing, silver contacts

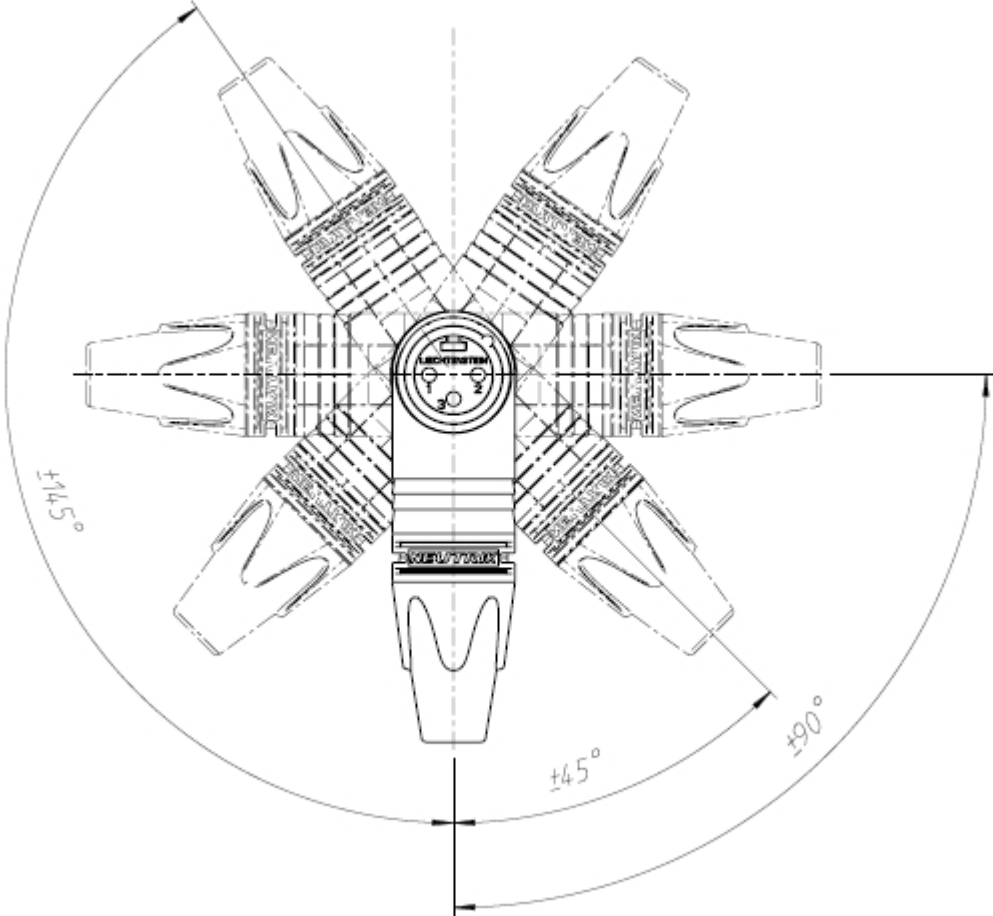
The RX Series is the right angle version of the XX cable connector series. The successor of the RC series offers several new features which make it more reliable, easier to assemble and improves contact integrity as well cable strain relief.



Features & Benefits

- Extra slim right-angle connector
- Male connector with improved locking recess without "window", more stringent housing increases durability
- Boot with polyurethane gland gives high protection to cable bending stresses
- Sleek and ergonomic design - valuable and handy
- 7 selectable cable outlet positions
- Improved chuck type strain relief provides higher pull-out force and makes assembly easier and faster
- Coloured rings and boots available for coding or identification

Outlet positions



Technical Information

| Product | |
|-----------------|--------|
| Title | NC3MRX |
| Connection Type | XLR |
| Gender | male |

| Electrical | |
|------------------------------|---------------------------------|
| Capacitance between contacts | $\leq 4 \text{ pF}$ |
| Contact resistance | $\leq 3 \text{ m}\Omega$ |
| Dielectric strength | 1,5 kVdc |
| Insulation resistance | $> 2 \text{ G}\Omega$ (initial) |
| Rated current per contact | 16 A |
| Rated voltage | $< 50 \text{ V}$ |

| Mechanical | |
|------------------|--------------------------|
| Cable O.D. | 3.5 - 8.0 mm |
| Insertion force | $\leq 20 \text{ N}$ |
| Withdrawal force | $\leq 20 \text{ N}$ |
| Lifetime | > 1000 mating cycles |
| Wiresize | max. 2.5 mm ² |
| Wiresize | max. 14 AWG |
| Wiring | Solder contacts |
| Locking device | Latch lock |

| Material | |
|-----------------|-------------------------|
| Boot | Polyurethan |
| Contact plating | 2 µm Ag |
| Contacts | Bronze (CuSn8) |
| Insert | Polyamide (PA66) |
| Locking element | Zinc diecast (ZnAl4Cu1) |
| Shell | Zinc diecast (ZnAl4Cu1) |
| Shell plating | Nickel |
| Strain relief | Polyacetal (POM) |

| Environmental | |
|---------------------|---------------------------|
| Flammability | UL 94 V-0 |
| Standard compliance | IEC 61076-2-103 |
| Protection class | IP 40 |
| Solderability | Complies with IEC 68-2-20 |
| Temperature range | -30 °C to +80 °C |