

TECHNICAL DATA

Product type	JACK
Product NO.	J3F2CWB

Product Appearance



Product features

- ✓ Sealed rubber jacket is waterproof and dustproof
- ✓ Industry's first input and output waterproof XLR jack
- ✓ For outdoor use ,and Water proof level IP 65
- ✓ Standard D mounting dimensions, Fully matched to existing installation
- ✓ Really solve the fast connection requirement of input and output of DMX signal in outdoor conditions in the lighting industry

Technical parameters

1. Electrical parameters

Capacitance between contacts	$\leq 4\text{pF}$
Contact resistance	$\leq 5\text{m}\Omega$
Dielectric strength	1500V DC
Insulation resistance	$> 10\text{G}\Omega$ (initial)
Rated current per contact	16A
Rated voltage	$< 50\text{V}$

2. Mechanical parameters

Insertion force	$\leq 20\text{N}$
Withdrawal force	$\leq 20\text{N}$
Service life	> 1000
Chassis shape	D

3. Material and environmental parameters

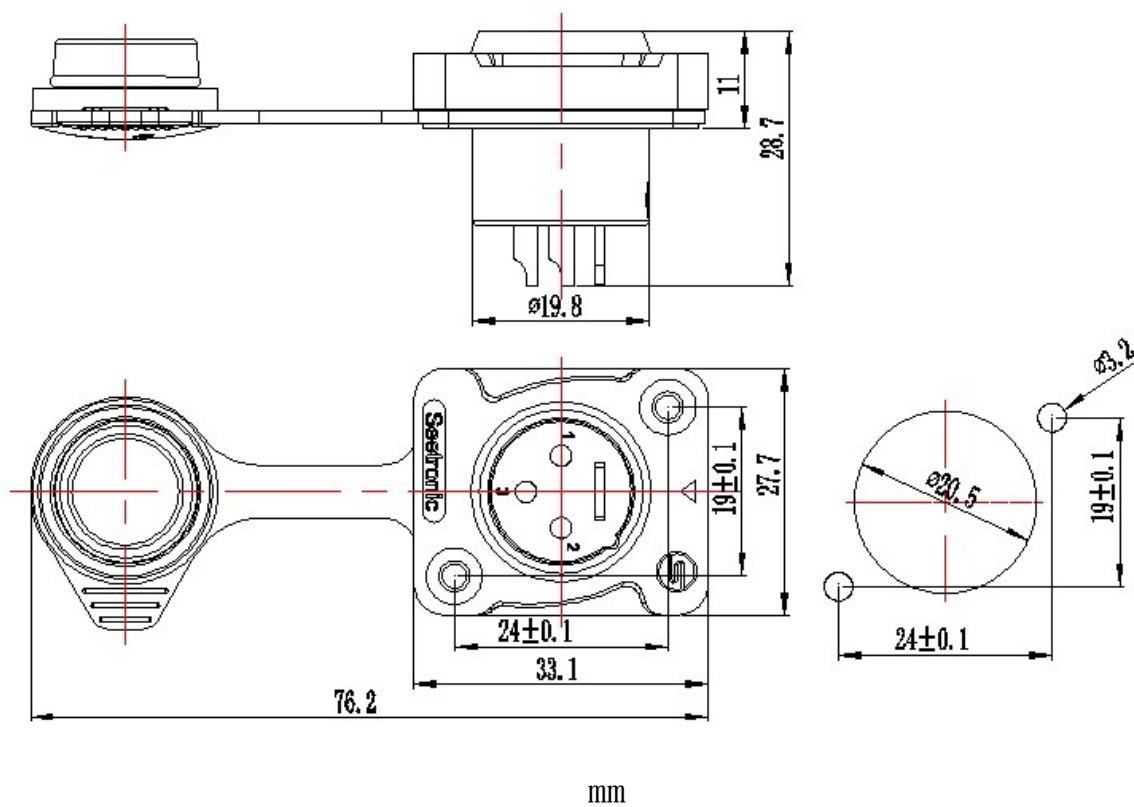
Contact plating	Au Plated
Contacts	Copper alloy
Insert	Polyamide (PA66 +30%GF)
Shell	Zinc diecast (ZnAl4Cu1)
Shell plating	Black coating
Flame-retardant grade	UL94 HB

Protection class	IP 65
Solderability	Complies with IEC 68-2-20
Temperature range	-30°C to +80°C

4. Standard

Standard	IEC 61076-2-103
----------	-----------------

Product Profile



Installation instructions

Panel mount: Front