



**Technical parameters****1. Electrical parameters**

|                                    |                                |
|------------------------------------|--------------------------------|
| Capacitance between contacts       | $\leq 7\text{pF}$              |
| Contact resistance                 | $\leq 5\text{m}\Omega$         |
| Dielectric strength                | 1500V DC                       |
| 绝缘电阻 (Insulation resistance)       | $> 10\text{G}\Omega$ (initial) |
| 每位额定电流 (Rated current per contact) | 7.5A                           |
| 额定电压 (Rated voltage)               | $< 50\text{V}$                 |

**2. Mechanical parameters**

|                  |                   |
|------------------|-------------------|
| Insertion force  | $\leq 20\text{N}$ |
| Withdrawal force | $\leq 20\text{N}$ |
| Service life     | $> 1000$          |
| Locking device   | Latch lock        |
| Chassis shape    | D                 |

**3. Material and environmental parameters**

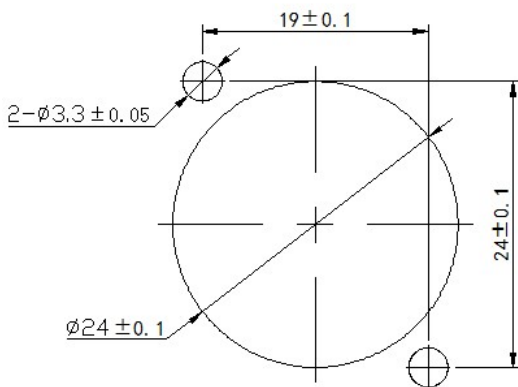
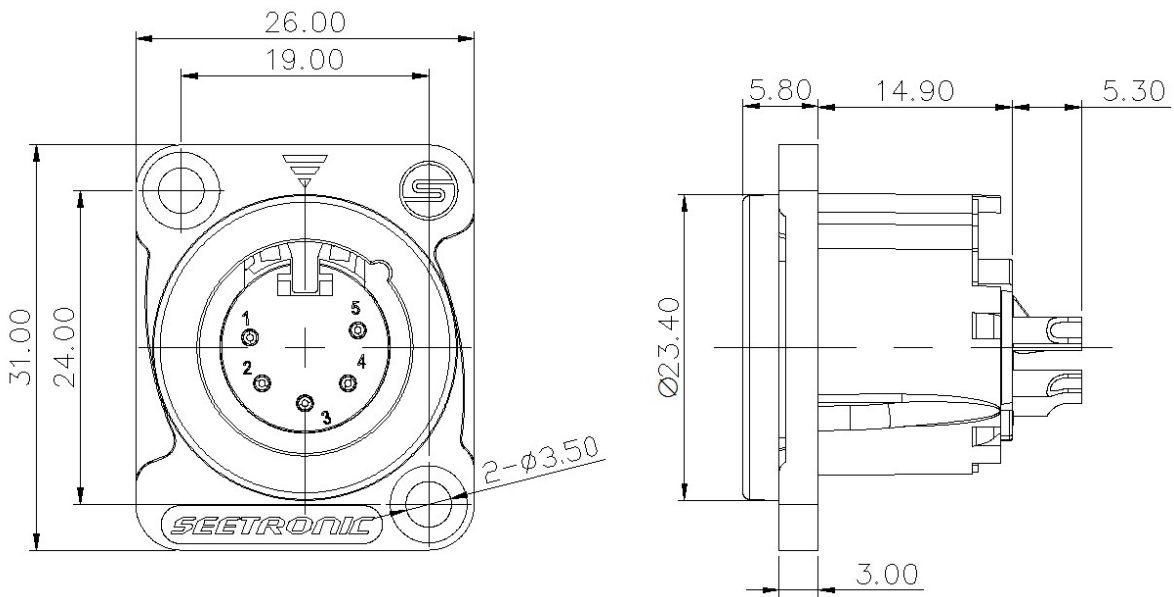
|                       |                         |
|-----------------------|-------------------------|
| Contact plating       | Sn Plated               |
| Contacts              | Copper alloy            |
| Insert                | Polyamide (PA66 +30%GF) |
| Shell                 | Zinc diecast (ZnAl4Cu1) |
| Shell plating         | Pearl chrome            |
| Flame-retardant grade | UL94 V0                 |
| Protection class      | IP 40                   |

|                   |                           |
|-------------------|---------------------------|
| Solderability     | Complies with IEC 68-2-20 |
| Temperature range | -30°C to +80°C            |

#### 4. Standard

|          |                 |
|----------|-----------------|
| Standard | IEC 61076-2-103 |
|----------|-----------------|

#### (Product Profile)



: mm

#### (Installation instructions)

(Panel mount) : (Front and rear)