

TECHNICAL DATA

Product type	Waterproof plug
Product NO.	SAC3FX (02)

SAC3FX (02) Product Appearance



Product features

- Quick, simple locking system
- Connect reliably
- Small size of product

Technical parameters

1. Electrical parameters

Contacts NO.	2+PE
Rated current	16A
Rated voltage	250V AC
Contact resistance	$\leq 5\text{m}\Omega$
Dielectric strength	4000V DC
Insulation resistance	$> 1000\text{M}\Omega$

2. Mechanical parameters

Service life	> 1000
Power lin	$2.5\text{mm}^2(7\text{mm} - 11\text{mm})$
Wire stripping length	7-8mm
Type of teminals	screw type terminals

3. Material and environmental parameters

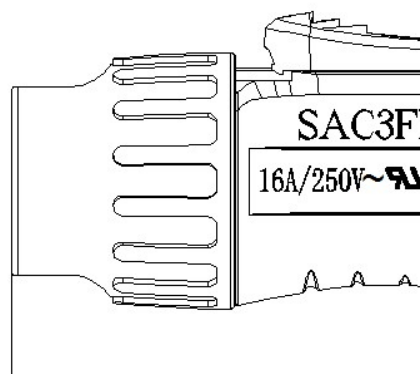
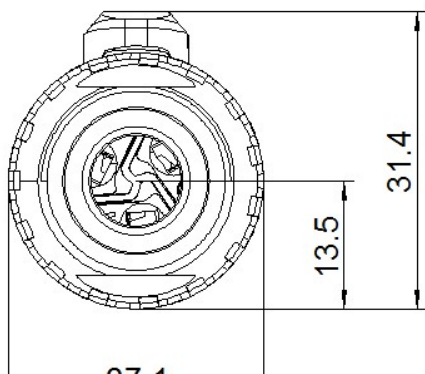
Shell	PA
Contacts	Cu alloy
Contact surface	Ag
Protection degree	IP65
Flame-retardant grade	UL94-V0
Temperature range	-30°C to $+80^{\circ}\text{C}$

4. Standard

Standard

IEC61984

Product Profile



Installation instructions

