

TECHNICAL DATA

Product type Protective cover

Product NO. CNACMPX (03)

CNAC-MPX (03) Product Appearance



Product features

Waterproof and Dustproof

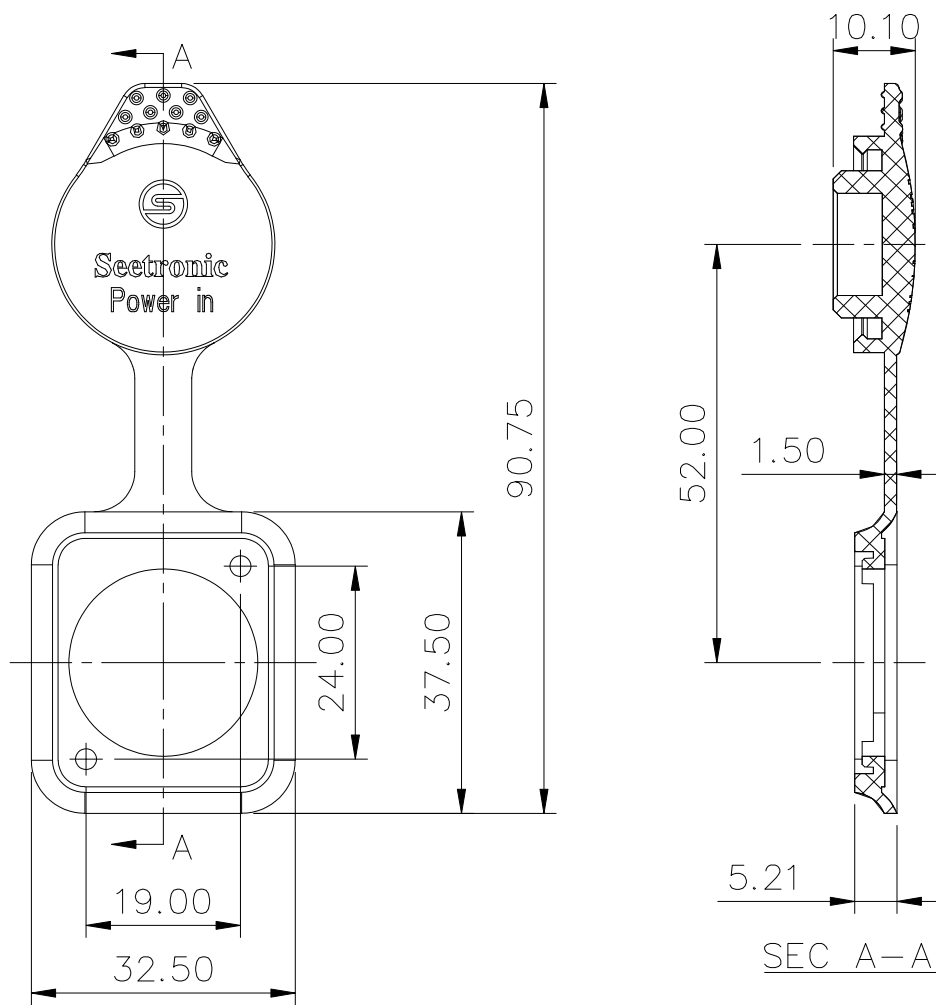
Small size of product

Technical parameters

Material and environmental parameters

Protective cover	EPDM
Protection class	IP65 (SAC3MPX(03) when used with)
Flame-retardant grade	UL94-V0
Temperature range	-30°C to +80°C

Product Profile



mm