

TECHNICAL DATA

Product type Protective cover

Product NO. CNACFPX

CNACFPX (Product Appearance)



Product features

Waterproof and Dustproof

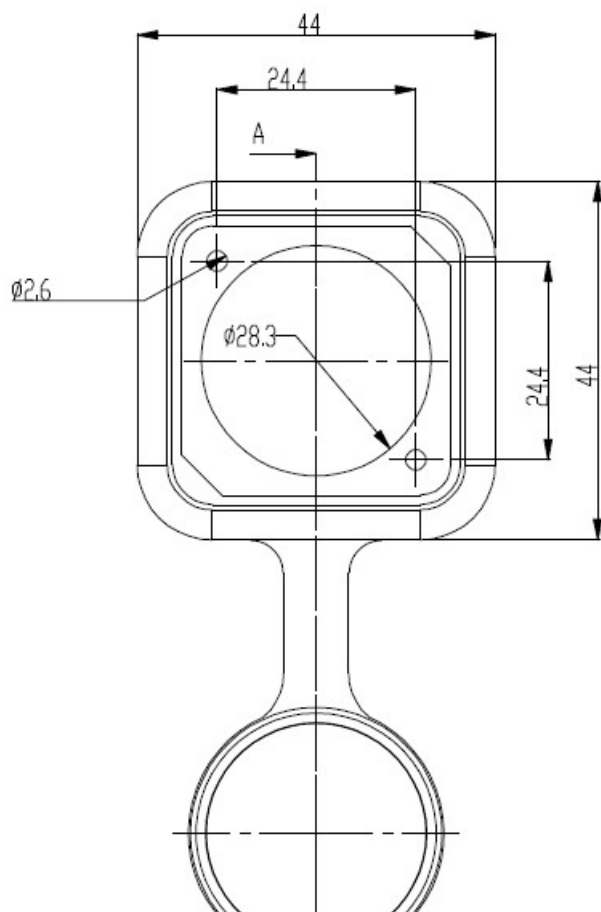
Small size of product

Technical parameters

Material and environmental parameters

Protective cover	EPDM
Protection class	IP65 (SAC3FPX when used with)
Flame-retardant grade	UL94-V0
Temperature range	-30°C to +80°C

Product Profile



5.2

1.5

mm