

TECHNICAL DATA

| | |
|--------------|-----------------------------|
| Product type | XLR Cable Connectors |
| Product NO. | SCWF5 |

SCWF5 Product Appearance



Product features

- ✓ Waterproof XLR connector range for outdoor waterproof class IP65.
- ✓ Strong zinc die-casting shell, long life and high reliability.
- ✓ Metal housing with inner thread increase retention force and makes assembly easier and faster.
- ✓ Colored boots available for coding or identification.
- ✓ Boot with polyurethane gland gives high protection to cable bending stresses.

Technical parameters**1.Product parameters**

| | |
|-----------------|--------|
| Connection Type | XLR |
| Gender | female |

2.Electrical parameter

| | |
|------------------------------|--------------------------------|
| Capacitance between contacts | $\leq 7\text{pF}$ |
| Contact resistance | $\leq 3\text{m}\Omega$ |
| Dielectric strength | 1.5kVdc |
| Insulation resistance | $> 10\text{G}\Omega$ (initial) |
| Rated current per contact | 7.5A |
| Rated voltage | $< 50\text{V}$ |

3.Mechanical parameters

| | |
|------------------|------------------------|
| Sign Cable O.D. | 5-8mm |
| Insertion force | $\leq 20\text{N}$ |
| Withdrawal force | $\leq 20\text{N}$ |
| Service life | > 1000 mating cycles |
| Wire size | Max. 1.0 mm^2 |
| Wire size | Max. 18 AWG |
| Locking device | Latch lock |

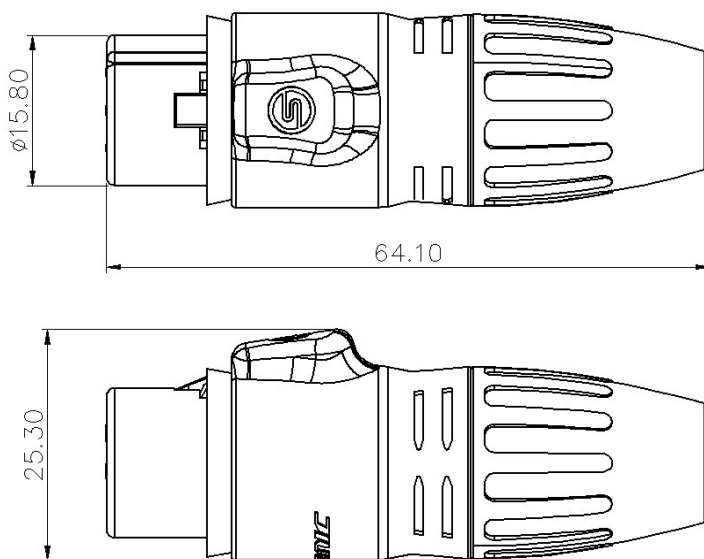
4. Material and environmental parameters

| | |
|-----------------------|----------------------------|
| Boot | Polyurethan |
| Contacts | Cu alloy |
| Contact plating | Au |
| Insert | Polyamide (PA 66 +30 % GF) |
| Shell | Zinc diecast (ZnAl4Cu1) |
| Shell plating | Cr |
| Strain relief | Polyacetal (POM) |
| Flame-retardant grade | UL 94 HB |
| Protection class | IP65 |
| Temperature range | -30°Cto +80°C |

5. Standard

| | |
|---------------|---------------------------|
| Standard | IEC 61076-2-103 |
| Solderability | Complies with IEC 68-2-20 |

Product Profile



: mm

Installation instructions

