

TECHNICAL DATA

Product type	<u>XLR Cable Connectors</u>
Product NO.	<u>SCWM5</u>

SCWM5 Product Appearance



Product features

- ✓ Waterproof XLR connector range for outdoor waterproof class IP65.
- ✓ Strong zinc die-casting shell, long life and high reliability.
- ✓ Metal housing with inner thread increase retention force and makes assembly easier and faster.
- ✓ Colored boots available for coding or identification.
- ✓ Boot with polyurethane gland gives high protection to cable bending stresses.

Technical parameters

1. Product parameters

Connection Type	XLR
Gender	male

2. Electrical parameters

Capacitance between contacts	$\leq 7\text{pF}$
Contact resistance	$\leq 3\text{m}\Omega$
Dielectric strength	1.5kVdc
Insulation resistance	$> 10\text{G}\Omega$ (initial)
Rated current per contact	7.5A
Rated voltage	$< 50\text{V}$

3. Mechanical parameters

Sign Cable O.D.	5-8mm
Insertion force	$\leq 20\text{N}$
Withdrawal force	$\leq 20\text{N}$
Service life	> 1000 mating cycles
Wire size	Max. 1.0 mm^2
Wire size	Max. 18 AWG
Locking device	Latch lock

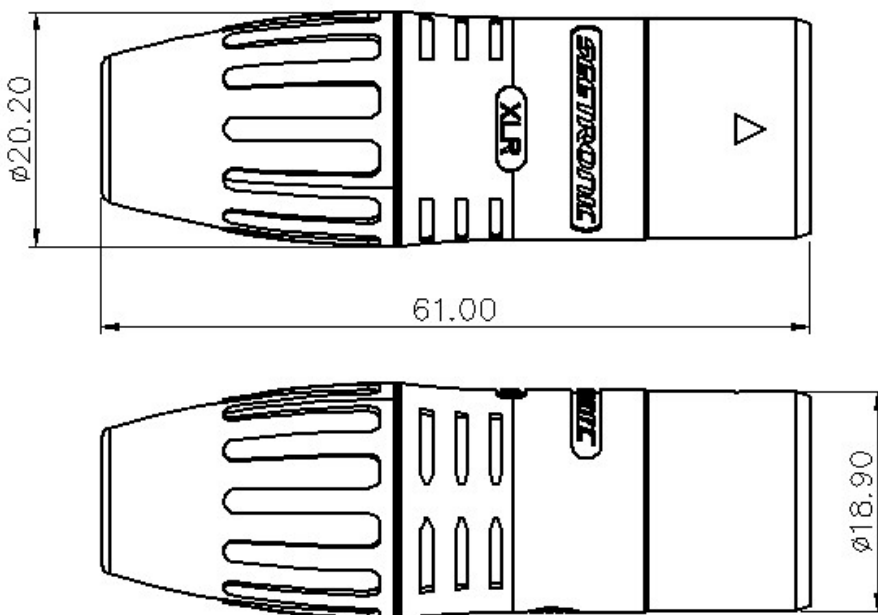
4. Material and environmental parameters

Boot	Polyurethan
Contacts	Cu alloy
Contact plating	Au
Insert	Polyamide (PA 66 +30 % GF)
Shell	Zinc diecast (ZnAl4Cu1)
Shell plating	Cr
Strain relief	Polyacetal (POM)
Flame-retardant grade	UL 94 HB
Protection class	IP65
Temperature range	-30°Cto +80°C

5. Standard

Standard	IEC 61076-2-103
Solderability	Complies with IEC 68-2-20

Product Profile



Installation instructions

