

Overview:

The Digital Audio Converter, Dolby & DTS converts one LPCM-encoded, one DTS or one Dolby Digital coaxial (S/PDIF) or optical (TOSLINK) digital audio signal to a standard left/right analog audio output, thereby allowing a digital audio source such as a DVD or CD player without RCA analog audio output to be connected to an audio-video receiver or TV.



Applications:

Commercial and residential audio systems, boardroom systems, collaborative PC systems, and medical information systems.

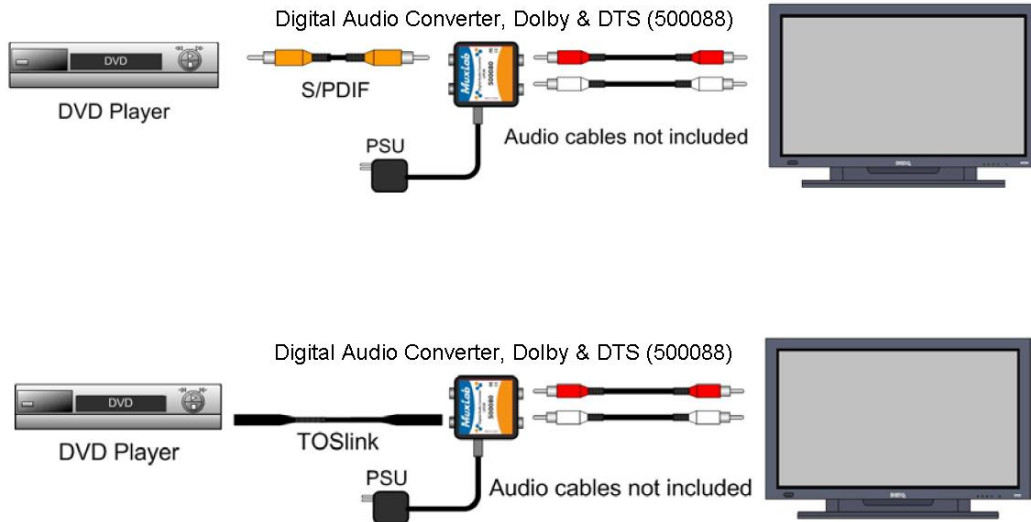
Features:

- Down-mixes DTS, Dolby® Digital audio to left/right analog audio
- Switch selects between TOSLINK and Coax S/PDIF inputs
- TOSLINK cable included
- May be used with MuxLab mounting accessories

Environment	Digital Audio, Dolby Digital, DTS or LPCM
Devices	DVD, CD Players, TV, PC, laptops.
Transmission	Transparent to the user
Signals	Dolby Digital, DTS & 2 channel LPCM
Connectors	One (1) Coaxial connector One (1) TOSLINK Connector. Two (2) RCA Connectors. <i>Note: Audio cables not included.</i>
Switch	Selects between SPDIF and TOSlink
Distortion	<0.001% @ 1KHz
SNR	> 90 dB (20Hz – 20 KHz)
Sample Rate	32, 44.1, 48 and 96 KHz
Bit Depth	24 bit S/PDIF compressed & uncompressed bit stream
Power Supply	One (1) 110-240V/5VDC power supplies with interchangeable blades
Power Consumption	2.05 Watt
Temperature	Operating: 0° to 40°C Storage: -20° to 85°C Humidity: Up to 95% non-condensing
Enclosure	ABS fire retardant plastic
Dimensions	2.4" x 2.25" x 1.0" (6.1 x 5.5 x 2.5 cm)
Weight	1.0 lb (0.45 kg)
Compliance	Regulatory: FCC, CE, RoHS Flammability: 94V0
Warranty	2 years
Order Information	500088 Digital Audio Converter, Dolby & DTS (UPC: 627699000885)

Digital Audio Converter, Dolby & DTS 500088

Typical Application:



Product Photos:

