

600 Series 3

Welcome and thank you for choosing Bowers & Wilkins.

Our founder, John Bowers, believed that imaginative design, innovative engineering and advanced technology were keys that could unlock the enjoyment of audio in the home. His belief is one that we continue to share and inspires every product we design.

This is a high performance product that rewards thoughtful installation, so we suggest that you take some time to read this manual before you begin. **Continue on page 3** →

Willkommen bei Bowers & Wilkins. Der Firmengründer John Bowers war der Meinung, dass ein wunderschönes Design, eine innovative Konstruktion und ausgeklügelte Technologien die Schlüssel zu Audio-Entertainment der Extraklasse in Ihrem Zuhause sind. Wir teilen seine Meinung und jedes von uns entwickelte Produkt basiert darauf.

Dies ist ein erstklassiges Produkt, dessen Installation und Setup gut durchdacht werden müssen. Wir empfehlen daher, sich ein wenig Zeit zu nehmen und diese Bedienungsanleitung vor der Installation zu lesen. **Fortsetzung auf Seite 17** →

Bem-vindo e obrigado por escolher a Bowers & Wilkins.

O nosso fundador, John Bowers, acreditava que um desenho criativo, engenharia inovadora e tecnologia avançada eram as chaves que poderíamos abrir portas para se desfrutar do áudio em casa. A sua crença é algo que continuamos a partilhar e que inspira cada produto que desenhamos.

O produto que adquiriu possui elevados padrões de desempenho que requerem uma instalação cuidadosa, pelo que recomendamos que leia este manual antes de utilizar o produto. **Continuação na página 31** →

Welkom en bedankt voor uw aankoop van een Bowers & Wilkins product.

Onze oprichter John Bowers geloofde in vindingrijke ontwerpen: innovatieve en vooruitstrevende technologie vormen de kern waarmee plezier met muziek thuis kan worden gerealiseerd. Deze visie is nog altijd ons uitgangspunt en vormt de inspiratie voor elk product dat we ontwikkelen.

Dit is een hoogwaardig product dat een zorgvuldige installatie verdient, daarom raden we u aan de tijd te nemen deze handleiding te lezen voordat u begint. **Lees verder op pagina 45** →

Bienvenue et merci d'avoir choisi Bowers & Wilkins. Notre fondateur, John Bowers, était persuadé qu'une conception imaginative, des innovations en terme d'ingénierie et des technologies parmi les plus avancées, étaient les clés ouvrant les portes du plaisir de l'écoute à domicile. Ce qu'il croyait fait partie de ce que nous continuons encore à partager et se retrouve dans tous les produits que nous concevons aujourd'hui.

Vous disposez d'un produit dont les hautes performances méritent une installation soignée, par conséquent nous vous suggérons de consacrer un peu de temps à lire ce manuel avant de commencer à l'utiliser. **Rendez vous à la page 10** →

Bienvenido y gracias por elegir Bowers & Wilkins.

John Bowers, nuestro fundador, estaba firmemente convencido de que el diseño imaginativo, la ingeniería innovadora y la tecnología avanzada eran las claves a la hora de llevar el disfrute del sonido a la intimidad del hogar. Una creencia que seguimos compartiendo y que inspira todos y cada uno de los productos que diseñamos.

Si se instala adecuadamente, este producto ofrece unas prestaciones muy elevadas, por lo que le sugerimos que antes de ponerse manos a la obra dedique un poco de su tiempo a leer este manual. **Continúa en la página 24** →

Benvenuti e grazie per aver scelto un prodotto Bowers & Wilkins.

Il nostro fondatore, John Bowers, era convinto che design attraente, capacità d'innovare e tecnologie all'avanguardia fossero fattori vincenti per la riproduzione audio domestica. Le sue idee sono ancor oggi condivise da noi tutti e fonte d'ispirazione per ogni nuovo prodotto che realizziamo.

Questo modello è un diffusore di alte prestazioni che merita di essere installato in maniera scrupolosa. Vi suggeriamo pertanto di leggere attentamente questo manuale prima di iniziare. **Continua a pagina 38** →

Καλώς ήρθατε και ευχαριστούμε που επιλέξατε την Bowers & Wilkins.

Ο ιδρυτής μας, John Bowers, πίστευε πως η ευφάνταστη σχεδίαση, οι ευρηματικές λύσεις σε τεχνικά προβλήματα και η προηγμένη τεχνολογία είναι τα κλειδιά για την απόλαυση του ήχου στο σπίτι. Οι απόψεις του εξακολουθούν να μας βρίσκουν σύμφωνους και να εμπνέουν κάθε προϊόν που σχεδιάζουμε.

Αυτό είναι ένα προϊόν υψηλής απόδοσης, το οποίο αξιοποιείται καλύτερα μετά από προσεκτική εγκατάσταση, οπότε σας προτείνουμε να διαθέσετε λίγο χρόνο για να διαθέσετε αυτό το εγχειρίδιο προτού αρχίσετε. **Συνέχεια στη σελίδα 52** →

1. Unpacking

	Grille	Foam Plug	Rubber Foot (self-adhesive)	Rubber Foot (screw-on)	Spike Foot	Plinth	Allen Key	45mm Screw	Plain Washer	Shakeproof Washer
603 S3	1	1		4	4	1	1	4	4	4
606 S3 607 S3	2	2	8							
HTM6 S3	1	1	4							

Carton Contents

The table above illustrates the component parts that are packed with the product. In the unlikely event that anything is missing please contact the retailer from whom you purchased the speakers.

Environmental Information

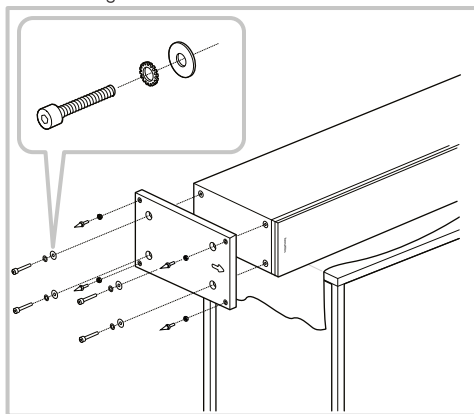
This product complies with international directives, including but not limited to:

- i. the **R**estriction of **H**azardous **S**ubstances (RoHS) in electrical and electronic equipment,
- ii. the **R**egistration, **E**valuation, **A**uthorisation and restriction of **C**hemicals (REACH)
- iii. the disposal of **W**aste **E**lectrical and **E**lectronic **E**quipment (WEEE).

Consult your local waste disposal authority for guidance on how properly to recycle or dispose of this product.

2. Positioning

603 S3

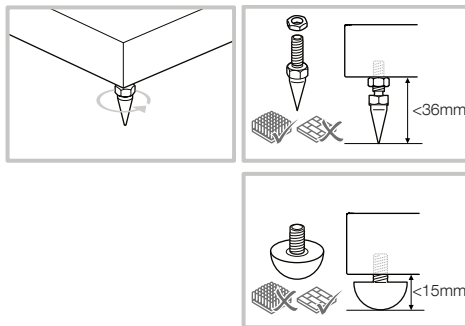
**Speaker Installation****603 S3**

603 S3 is intended to be floor mounted only. For proper stability, always install the provided plinth, then ensure that the speakers stand firmly on the floor using the spike or rubber feet supplied.

You may attach the plinth during the unpacking process, following the illustrations above or the diagrams on the top flap of the carton.

Warning

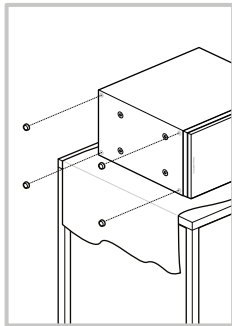
The plinth **MUST** always be used, with the rubber or spike feet inserted into the plinth. **DO NOT** insert rubber or spike feet directly into the cabinet.

**Important Safety Notice**

Sharp spikes, do not touch.

The spike feet are designed to pierce carpet and rest on the floor surface. Initially, screw the lock nuts onto the spikes just far enough to leave the nuts floating just above the carpet when the spikes are resting on the floor beneath. Then, screw the spikes fully into the threaded inserts in the plinth. If the cabinet rocks when placed on the floor, unscrew the two spikes that do not touch the floor until the cabinet rests firmly without rocking. Finally, lock the nuts against the base and gently tighten the nut to stop the spike foot rotating. It may be more convenient to fit and adjust the spike feet after speaker positioning has been optimised.

If there is no carpet and you wish to avoid scratching the floor surface, use either a protective metal disc (a coin perhaps) between the spike and the floor, or use the supplied rubber feet. Fit the rubber feet and level the cabinet in the same manner as with the spike feet.



606 S3 / 607 S3

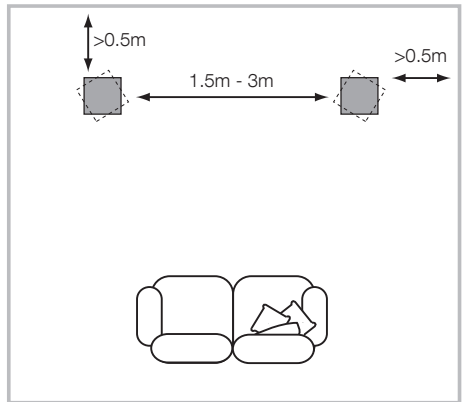
The 606 S3 and 607 S3 are primarily designed to be mounted on a dedicated floor stand (FS-600 S3), but may be placed on a shelf if preferred. However, it should be noted that this offers less flexibility to optimise the speaker's performance. If shelf placement must be used, we recommend using the foam plugs (supplied) to optimise port performance (see Section 4: Fine-Tuning).

In both installation cases, the speakers' tweeters should be positioned at approximately at ear height at your usual listening position.

Note: If using a shelf, ensure that it is strong enough to properly support the weight and fit the four self-adhesive rubber feet to the underside of the speaker.

HTM6 S3

If using a projection television with an acoustically transparent screen, position the speaker behind the centre of the screen. Otherwise, position it either directly below or above the screen using either a floor stand, furniture unit or wall shelf, ensuring the speaker is as close to ear height as possible. If the speaker is to be placed either on a shelf or in a rack shared with other AV equipment, fix the four self-adhesive rubber feet to the base of the speaker. They provide a degree of vibration isolation.

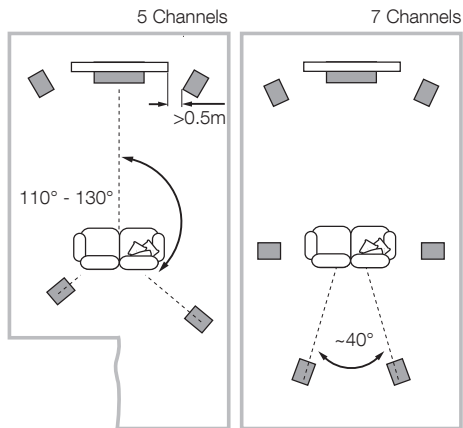


Speaker Positioning

In either stereo or home theatre installations, try to ensure that the immediate surroundings of each speaker are similar in acoustic character. For example, if one speaker is adjacent to bare walls while the other is adjacent to soft furnishings and curtains, both the overall sound quality and the stereo image are likely to be compromised.

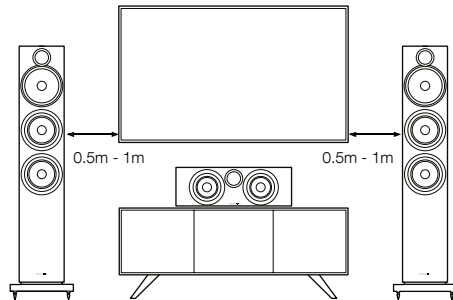
Conventional Stereo Systems

To begin with, the speakers should be positioned between 1.5m and 3m apart at two corners of an equilateral triangle completed by the listening area at the third corner. The speakers should be placed at least 0.5m away from the back and any side walls (as per the illustration above).



Home Theatre Systems

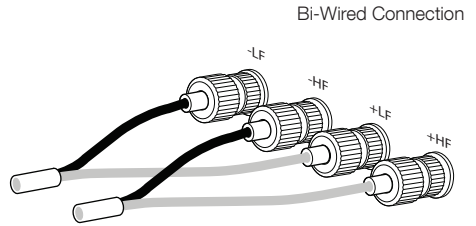
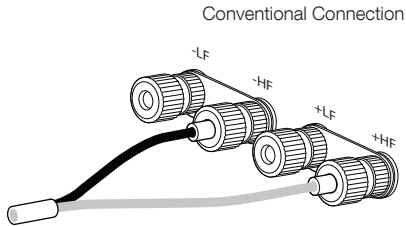
If the speakers are to be used for the front channels in a home theatre system, they should be placed closer together than for 2-channel audio, because the surround channels tend to widen the image. Positioning the speakers within approximately 0.5m of the sides of the screen will also help keep the sound image in scale with the visual image. As with conventional stereo positioning, the speakers should ideally be at least 0.5m away from any side walls.



Stray Magnetic Fields

The speaker drive units create stray magnetic fields that extend beyond the boundaries of the cabinet. We recommend you keep magnetically sensitive articles (CRT television and computer screens, computer discs, audio and video tapes, swipe cards and the like) at least 0.5m from the speaker. LCD, OLED and plasma screens are not affected by magnetic fields.

3. Connections

**Important Safety Notice**

All connections should be made with the audio equipment switched off. When using audio equipment in normal operation, touching uninsulated speaker terminals or wiring may result in an unpleasant sensation. The 600 S3 speaker terminals accept a variety of cable terminations: 4mm banana plugs, 6mm and 8mm (1/4 in and 5/16 in) spades, or bare wires up to 4mm (5/32 in) diameter.

**Important Safety Notice**

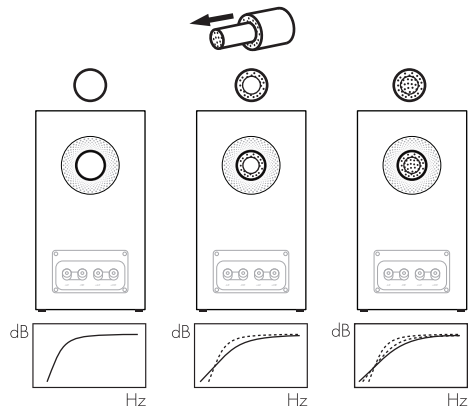
In certain countries, notably those in Europe, the use of 4mm banana plugs is considered a potential safety hazard, because they may be inserted into the holes of unshuttered mains supply sockets. In order to comply with European CENELEC safety regulations, the 4mm holes in the ends of the terminals are blocked by plastic pins. If you are using the products in any country where these conditions apply, you should ensure that any banana plugs cannot be used in an unsafe manner by children or other uninformed persons. The plastic pins can be removed if you wish to use banana plugs.

Ask your dealer for advice when selecting speaker cable. Keep its total impedance below the maximum recommended in the speaker specification and use a low inductance cable to avoid attenuation of high frequencies.

There are two linked pairs of terminals on the back of the speaker. For conventional connection (above left), the terminal links should remain in place (as delivered) and just one pair of terminals connected to the amplifier. For bi-wire connections or bi-amplification (above right), the terminal links should be removed and each pair of terminals connected to the amplifier or amplifiers independently. Bi-wiring can improve the resolution of low-level detail.

Ensure that the positive terminals on the speaker (with red ring) are connected to the positive output terminal on the amplifier and the negative terminals on the speaker (with black ring) are always connected to the negative output terminal on the amplifier. Incorrect connection will not result in damage but will cause poor stereo imaging and loss of bass. Always screw the terminal caps down fully to prevent rattles.

4. Fine-Tuning



Before fine-tuning, make sure that all the connections in the installation are correct and secure.

Moving the speakers further from the walls will generally reduce the volume of bass. Space behind the speakers will also help to create an aural impression of depth. Conversely, moving the speakers closer to the walls will increase the volume of bass. If you want to reduce the volume of bass without moving the speakers further from the wall, fit the foam plugs or, for less severe bass reduction, the foam rings in the port tubes (above).

If the bass seems uneven with frequency this will most probably be due to resonance modes in the listening room. Even small changes in the position of the speakers or the listening position can have a profound effect on how these resonances affect the sound. Try moving the listening position or locating the speakers along a different wall. The presence and position of large pieces of furniture can also influence resonance modes.

If no alternatives exist, you can adjust your loudspeakers' low-frequency performance using the supplied foam plugs. The plugs are a two-piece part, allowing for a degree of fine-tuning using either the outer, larger-diameter piece in isolation or the two parts together. Using solely the outer, larger-diameter foam piece will deliver less bass attenuation than the complete plug assembly.

If the central image lacks focus, try moving the speakers closer together or angle them inward so that they point at a location just in front of the listening position. If the sound is too bright, increasing the amount of soft furnishing in the room (heavier curtains for example) may help balance the sound. Conversely, reducing the amount of soft furnishing may help brighten a dull sound.

For the most discerning listening, remove the grilles by gripping around their edges and gently pulling them away from the cabinet.

5. Running In

The performance of the speaker will change subtly during the initial listening period. If the speaker has been stored in a cold environment, the damping compounds and suspension materials of the drive units will take some time to recover their correct mechanical properties. The drive unit suspensions will also loosen up during the first hours of use. The time taken for the speaker to achieve its intended performance will vary depending on previous storage conditions and how it is used. As a guide, allow up to a week for the temperature effects to stabilise and 15 hours of average use for the mechanical parts to attain their intended design characteristics.

6. Aftercare

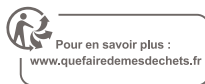
The cabinet surfaces will usually only require dusting. We recommend you use a soft microfibre cloth. If you wish to use an aerosol or other cleaner, apply the cleaner onto the cloth, not directly onto the product, and test a small area first, as some cleaning products may damage some of the surfaces. Avoid products that are abrasive, or contain acid, alkali or anti-bacterial agents. Do not use cleaning agents on the drive units. Avoid touching the drive units as damage may result.

Bowers & Wilkins

B&W Group Ltd
Dale Road
Worthing West Sussex
BN11 2BH England

EU Importer:
Bowers & Wilkins
Beemdstraat 11
5653 MA Eindhoven
The Netherlands

Copyright © B&W Group Ltd. E&OE





Bowers & Wilkins

603 S3

Technical Information



Technical features

Decoupled Double Dome Titanium tweeter
Continuum™ cone FST™ midrange
Paper bass cones
Flowport™

Description

3-way vented-box system

Drive units

1x ø25mm (1 in) Titanium Dome high-frequency
1x ø150mm (6 in) Continuum cone FST midrange
2x ø165mm (6.5 in) Paper bass cone

Frequency range

-6dB 29Hz - 33kHz

Frequency response

(+/-3dB from reference axis)

46Hz - 28kHz ±3dB

Sensitivity

(on axis at 2.83Vrms at 1m)

90dB

Harmonic distortion

2nd and 3rd harmonics (90dB, 1m on axis)
<1% 100Hz - 22kHz
<0.5% 350Hz - 12kHz

Nominal impedance

8Ω (minimum 3.0Ω)

Recommended amplifier power

30W - 200W into 8Ω on unclipped programme

Max. recommended cable impedance

0.1Ω

Dimensions

Height: 985 mm (38.8 in) cabinet only
1,020 mm (40.2 in) including plinth

Width: 190 mm (7.5 in) cabinet only
260 mm (10.2 in) including plinth

Depth: 340 mm (13.4 in) cabinet only
368 mm (14.5 in) including grille and terminals
402 mm (15.8 in) including plinth

Net weight

27.5kg (60.6lbs)

Finishes

Cabinet: Black
White
Oak
Red Cherry (APAC only)

Grille: Black (Black and Red Cherry)
Grey (White and Oak)

600 Series Safety & Warranty

Bowers & Wilkins

English Warranty

Bowers & Wilkins products are designed and manufactured to the highest quality standards. However, if something does go wrong with the product, B&W Group Ltd. and its national distributors warrant free of charge labour (exclusions may apply) and replacement parts in any country served by an official Bowers & Wilkins distributor.

This warranty complements any national or regional legal obligations of dealers or national distributors and does not affect your statutory rights as a customer. Some regional legal obligations outside the control of B&W Group Ltd. may reduce the scope or time of the terms outlined below. In particular:

- Special warranty terms apply in the Russian Federation.
- Specific import regulations apply in Brazil.
- See adjacent column for specific warranty instructions that apply in Australia.

Please contact the relevant national distributor for details.

Terms and Conditions

This warranty:

- 1 is valid only for products purchased from an authorised Bowers & Wilkins retailer or dealer.
- 2 is valid from the date of purchase for a period of five years for passive loudspeakers and two years for powered loudspeakers, electronics and headphones, except that exclusions apply in certain countries in line with national law. Please consult the Bowers & Wilkins distributor in your country for detailed information.
- 3 is limited to the repair of the equipment. Neither transportation, nor any other costs, nor any risk for removal, transportation and installation of products is covered by this warranty.
- 4 is only valid for the original owner. It is not transferable.
- 5 will not be applicable in cases other than defects in materials and/or workmanship at the time of purchase and will not be applicable:
 - a for deterioration of component parts, the nature of which is to become worn or depleted with use, such as batteries and headphone ear pads.
 - b for any interoperability issues with third party products; unless we explicitly specify this intent,
 - c for damages caused by incorrect installation, connection or packing.
 - d for damages caused by any use other than correct use described in the user manual, negligence, modifications, or use of parts that are not made or authorised by B&W Group Ltd.,
 - e for damages caused by faulty or unsuitable ancillary equipment,
 - f for damages caused by accidents, lightning, water, fire heat, war, public disturbances or any other cause beyond the reasonable control of B&W Group Ltd. and its appointed distributors.
 - g for products whose serial number has been altered, deleted, removed or made illegible.
 - h if repairs or modifications have been executed by an unauthorised person.

How to claim repairs under warranty

Should you have any concerns regarding the performance of your product, please use the following procedure:

- 1 You can find all contact details by clicking on 'Contact Bowers & Wilkins' at the bottom of the home page of our web site and selecting the appropriate country.
- 2 Our representative will discuss your concerns. If it is found necessary to return the product for repair, you may be given a Return Merchandise Authorisation. You should not return the product without this authorisation, if given.

To validate your warranty, you will need to produce the original sales invoice or other proof of ownership and date of purchase.

Français Garantie

Les produits Bowers & Wilkins sont conçus et fabriqués selon les normes de qualité les plus élevées. Cependant, au cas où vous auriez à constater un souci quelconque avec votre produit, B&W Group Ltd et ses distributeurs nationaux s'engagent à prendre en charge gratuitement sa remise en état « pièces et mains-d'œuvre » (des exclusions peuvent toutefois s'appliquer) et cela dans tous les pays qui disposent d'un distributeur officiel Bowers & Wilkins.

Cette garantie vient en complément des obligations juridiques régionales ou nationales des concessionnaires ou distributeurs et n'affecte pas vos droits statutaires en tant que client. Certaines obligations légales ou régionales échappant au contrôle de B&W Group Ltd peuvent toutefois réduire la portée ou le temps nécessaire pour appliquer les dispositions décrites ci-dessous. En particulier :

- des conditions de garanties particulières s'appliquent pour la Fédération de Russie.
- des réglementations spécifiques s'appliquent à l'importation au Brésil.

Veuillez s'il vous plaît contacter le distributeur national de la marque pour plus de détails.

Termes et Conditions

Cette garantie :

- 1 est valable uniquement pour les produits achetés par l'intermédiaire d'un revendeur ou distributeur Bowers & Wilkins.
- 2 est valable à partir de la date d'achat et pour une période de cinq ans pour les enceintes acoustiques passives et deux ans pour les enceintes acoustiques et caissons de graves actifs, les électroniques et les casques, sauf au cas où des exclusions s'appliqueraient dans certains pays et conformément aux règles en vigueur. Consulter votre distributeur local Bowers & Wilkins dans votre pays pour avoir des informations plus détaillées.
- 3 est limitée à la réparation de l'équipement. Notamment : le transport, l'enlèvement ou l'installation des produits, ne sont pas couverts par la garantie.
- 4 est uniquement valable pour le propriétaire d'origine. Elle n'est pas transférable.
- 5 ne sera applicable que pour des défauts de matériaux et/ou de fabrication existant au moment de l'achat. La garantie ne s'appliquera pas :
 - a pour la détérioration de composants qui par nature se dégradent à l'usage comme les piles et les oreillettes de casque.
 - b pour tout problème d'interopérabilité avec des produits tiers, sauf si nous l'avons mentionné spécifiquement,
 - c pour les dommages causés par une mauvaise installation, connexion ou emballage.
 - d pour les dommages causés par un usage autre que ceux décrits dans le manuel d'utilisation, dans le cas de négligences, de modifications, ou d'utilisation conjointe d'éléments qui ne sont pas conçus ou autorisés par B&W Group Ltd,
 - e pour les dommages causés par des équipements auxiliaires inadaptés ou défectueux.
 - f pour les dommages causés par les accidents, la foudre, l'eau, la chaleur d'un incendie, la guerre, des troubles publics ou toute autre cause qui sont hors du domaine de contrôle de B&W Group Ltd et ses distributeurs agréés,
 - g pour les produits dont le numéro de série a été modifié, effacé, enlevé ou rendu illisible.
 - h si des réparations ou des modifications ont été exécutées par une personne non autorisée.

Comment demander des réparations sous garantie

Si vous avez des doutes ou des problèmes de performances avec votre produit, veuillez s'il vous plaît utiliser la procédure suivante :

- 1 Vous pourrez trouver toutes nos coordonnées en cliquant sur "Contacter Bowers & Wilkins" au bas de la page d'accueil de notre site web et en sélectionnant le pays approprié.
- 2 Notre représentant discutera avec vous de vos préoccupations. S'il estime nécessaire de nous retourner le produit pour réparation, vous pourrez alors recevoir une autorisation de retour de marchandises. Vous ne devez pas nous retourner le produit sans avoir eu cette autorisation.

Pour valider votre garantie, vous aurez besoin de fournir la facture de vente originale ou toute autre preuve de propriété, ainsi que la date d'achat.

Deutsch Garantie

Bowers & Wilkins-Produkte werden nach den höchsten Qualitätsstandards entwickelt und hergestellt. Sollte dennoch der unwahrscheinliche Fall eintreten, dass Sie als Kunde Grund zur Reklamation haben, werden die B&W Group Ltd. und ihre nationalen Vertriebsorganisationen (abgesehen von einigen Ausnahmen) das fehlerhafte Produkt ohne Berechnung der Arbeitskosten und der Ersatzteile in jedem Land reparieren, in dem eine offizielle Bowers & Wilkins-Vertriebsorganisation vertreten ist.

Diese Garantie ergänzt die nationalen/regionalen gesetzlichen Verpflichtungen der Handelspartner bzw. der nationalen Vertriebsorganisationen und schränkt in keiner Weise die gesetzlichen Rechte, die Sie als Kunde haben, ein. Einige gesetzliche Verpflichtungen, die nicht dem Einfluss der B&W Group Ltd. unterliegen, können die unten genannten Garantiezeiten verkürzen. Dazu zählen insbesondere:

- Spezielle Garantiebedingungen der Russischen Föderation.
- Bestimmte, in Brasilien geltende Importbestimmungen.

Weitere Informationen erhalten Sie bei der Vertriebsorganisation des entsprechenden Landes.

Garantiebedingungen

Diese Garantie:

1. gilt nur für Produkte, die von einem autorisierten Bowers & Wilkins-Fachhandelspartner oder -Händler gekauft wurden.
2. gilt ab Kaufdatum fünf Jahre für passive Lautsprecher und zwei Jahre für aktive Lautsprecher, Elektronik und Kopfhörer (in einigen Ländern gelten dem nationalen Recht entsprechend Ausnahmeregelungen). Genauere Informationen erhalten Sie von der Vertriebsorganisation in Ihrem Land.
3. ist auf die Reparatur des Gerätes beschränkt. Weder der Transport noch sonstige Kosten, noch das Risiko des Ausbaus, des Transports und der Installation der Produkte wird von dieser Garantie abgedeckt.
4. gilt nur für den Käufer und ist nicht auf andere Personen übertragbar.
5. gilt nur für Fabrikations- und/oder Materialfehler, die bereits zum Zeitpunkt des Kaufs vorliegen und nicht:
 - a. für Verschleißteile, die durch ihren Einsatz verbraucht oder abgenutzt werden, wie beispielsweise Batterien oder die Ohrpolster von Kopfhörern.
 - b. für Probleme der Interoperabilität mit Produkten Dritter, soweit wir diese nicht ausdrücklich als beabsichtigt spezifizieren.
 - c. bei Schäden durch unfachmännische Installation, falsches Anschließen oder unsachgemäßes Verpacken.
 - d. bei Schäden, die auf einen nicht in der Bedienungsanleitung genannten Einsatzzweck, auf Fahrlässigkeit, Modifikationen oder die Verwendung von Teilen zurückzuführen sind, die nicht von der B&W Group Ltd. hergestellt bzw. zugelassen wurden.
 - e. bei Schäden durch defekte oder ungeeignete Zusatzgeräte.
 - f. bei Schäden durch Unfälle, Blitzschlag, Wasser, Feuer, Hitze, Krieg, öffentliche Unruhen oder sonstige Ereignisse, die nicht der Kontrolle der B&W Group Ltd. und ihrer Vertriebsorganisationen unterliegen.
 - g. für Produkte, deren Seriennummern geändert, gelöscht, entfernt oder unleserlich gemacht wurden.
 - h. wenn Reparaturen und Modifikationen von nicht autorisierten Person durchgeführt wurden.

Inanspruchnahme von Garantieleistungen

Sollten Sie unseren Service in Anspruch nehmen müssen, gehen Sie bitte folgendermaßen vor:

1. Auf unserer Webseite finden Sie alle Kontaktdaten. Klicken Sie dazu auf der Startseite unten auf „Kontakt Bowers & Wilkins“ und wählen Sie das gewünschte Land aus.
2. Unsere Vertriebsorganisation wird Ihnen dann weiterhelfen und Ihnen im Reparaturfall eine Warenrücksendegenehmigung erteilen. Schicken Sie niemals ein Gerät ohne vorherige Genehmigung ein.

Garantieleistungen werden nur nach Voriage der Originalrechnung oder eines anderen, mit Kaufdatum versehenen Beleges erbracht, der Sie als Eigentümer des Gerätes ausweist.

EU Declaration of Conformity

English

Bowers & Wilkins hereby declares that this product is in compliance with the essential requirements and other relevant provisions of Directive 2011/65/EU, and amendment Directive (EU) 2015/863. The complete Declaration of Conformity can be found at www.bowerswilkins.com/compliance.

Français

Bowers & Wilkins déclare, par la présente, que ce produit est conforme aux principales exigences et autres clauses pertinentes de la Directive 2011/65/UE et de la modification de la Directive (UE) 2015/863. Vous trouverez le texte intégral de la Déclaration de conformité sur le site www.bowerswilkins.com/compliance.

Deutsch

Bowers & Wilkins erklärt hiermit, dass dieses Produkt den grundlegenden Anforderungen und anderen relevanten Bestimmungen der Richtlinie 2011/65/EU und der Änderungsrichtlinie (EU) 2015/863 entspricht. Die vollständige Konformitätserklärung finden Sie unter www.bowerswilkins.com/compliance.

Español

Bowers & Wilkins declara por la presente que este producto cumple con los requisitos esenciales y otras disposiciones relevantes de la Directiva 2011/65/UE y la enmienda de la Directiva (EU) 2015/863. Puede consultar la declaración de conformidad completa en www.bowerswilkins.com/compliance.

Português

A Bowers & Wilkins declara por este meio que este produto está em conformidade com os requisitos essenciais e outras disposições relevantes da Diretiva 2011/65/UE e a Diretiva de emenda (UE) 2015/863. A Declaração de Conformidade completa encontra-se em www.bowerswilkins.com/compliance.

Italiano

Con la presente, Bowers & Wilkins dichiara che questo prodotto è conforme ai requisiti essenziali e ad altre disposizioni pertinenti della Direttiva 2011/65/UE e della Direttiva di modifica (UE) 2015/863. La Dichiarazione di conformità completa è disponibile su www.bowerswilkins.com/compliance.

Nederlands

Bowers & Wilkins verklaart hierbij dat dit product voldoet aan de essentiële vereisten en andere relevante bepalingen van richtlijn 2011/65/EU en geamendeerde richtlijn (EU) 2015/863. De complete conformiteitsverklaring is te vinden op www.bowerswilkins.com/compliance.

Česky

Společnost Bowers & Wilkins tímto prohlašuje, že její produkt je v souladu se základními požadavky a dalšími příslušnými ustanoveními směrnice 2011/65/EU a novelizující směrnice (EU) 2015/863. Plný text prohlášení o shodě naleznete na www.bowerswilkins.com/compliance.

Slovenčina

Spoločnosť Bowers & Wilkins týmto prehlasuje, že tento výrobok je v súlade so základnými požiadavkami a ďalšími príslušnými ustanoveniami smernice 2011/65/EÚ a zmeny smernice (EÚ) 2015/863. Kompletné vyhlásenie o zhode nájdete na adrese www.bowerswilkins.com/compliance.

Magyar

A Bowers & Wilkins ezúton kijelenti, hogy a termék megfelel a 2011/65/EU irányelv és az (EU) 2015/863 módosító irányelv alapvető követelményeinek és egyéb vonatkozó rendelkezéseinek. A teljes megfelelőségi nyilatkozat a következő címen található: www.bowerswilkins.com/compliance.

Polski

Firma Bowers & Wilkins niniejszym oświadcza, że ten produkt jest zgodny z zasadniczymi wymaganiami i innymi stosownymi postanowieniami dyrektywy 2011/65/UE oraz dyrektywy zmieniającej (UE) 2015/863. Pełną deklarację zgodności można znaleźć pod adresem www.bowerswilkins.com/compliance.

Ελληνικά

Με το παρόν η εταιρεία Bowers & Wilkins δηλώνει ότι αυτό το προϊόν συμμορφώνεται με τις ουσιαστικές απαιτήσεις και τις άλλες σχετικές διατάξεις της Οδηγίας 2011/65/ΕΕ και της τροποποιητικής Οδηγίας (ΕΕ) 2015/863. Η πλήρης Δήλωση συμμόρφωσης είναι διαθέσιμη στη διαδικτυακή διεύθυνση www.bowerswilkins.com/compliance.

Русский

Настоящим компания Bowers & Wilkins заявляет, что этот продукт отвечает специальным требованиям и прочим соответствующим положениям Директивы 2011/65/EU и ее поправки (EU) 2015/863. Полную Декларацию соответствия можно найти на сайте www.bowerswilkins.com/compliance.

UK Declaration of Conformity

English

Bowers & Wilkins hereby declares that this product is in compliance with the essential requirements and other relevant provisions of The Restriction of the Use of Certain Hazardous Substances in Electrical and Electronic Equipment Regulations 2012. The complete Declaration of Conformity can be found at www.bowerswilkins.com/en-gb/compliance.

Australia Warranty

Subject to the following terms, Sound United will repair or replace any part of any eligible Bowers & Wilkins product that is defective within the warranty period indicated in the table below or refund you the cost of the replacement. The benefits to a consumer given by this warranty are in addition to other rights and remedies of the consumer under a law in relation to the goods or services to which the warranty relates.

Eligibility

To claim the benefit of this warranty you must;

- 1 Be the original purchaser of a genuine Bowers & Wilkins product (this warranty is not transferable)
- 2 Produce proof of your purchase
- 3 This warranty is limited to defects that arise;
 - a in the course of normal domestic installation and use and
 - b within the warranty period identified for the product in the table below, commencing on the date of original purchase.
- 4 This warranty excludes;
 - a defects arising from misuse, accident, neglect or improper care, fluctuation in electrical current, incorrect or failed software upgrade, damage or malfunction from incorrect assembly or installation, defects from alteration or modification, unauthorised service or repair;
 - b appearance items such as cabinetry marks or damage;
 - c products on which the serial number has been defaced or removed; and
 - d claims made later than 21 days after the defect first appears.

- 5 Note: In making a claim under this warranty, you agree that if, following receipt of your claim under this warranty, Sound United or its authorised service centre determine that your claim in respect of a product is invalid or you have provided false, inaccurate or misleading information with your claim, Sound United or its authorised service centre may charge you for any labour, parts or transport costs incurred.

How to Claim

In order to make a claim under this warranty, take the following steps:

- 1 Attach your proof of purchase document(s) to the adjacent card and complete the details.
- 2 Contact Sound United by telephone or email (contact details below)
- 3 Deliver the product(s) the subject of your claim to the Authorised Service Centre nominated by Sound United. Details of the Authorised Services Centres are available at the below address
- 4 You must bear any expense you incur in claiming this warranty.

Notice: Our goods come with guarantees that cannot be excluded under the Australian Consumer Law. You are entitled to a replacement or refund for a major failure and compensation for any other reasonably foreseeable loss or damage. You are also entitled to have the goods repaired or replaced if the goods fail to be of acceptable quality and the failure does not amount to a major failure.

Brand	Category	Warranty Period
Bowers & Wilkins	Passive Loudspeakers	5 Years
	Active Loudspeakers (including subwoofer and Wireless Music Systems)	2 Years
	Headphones	2 Years
	Accessories	1 Year

Sound United Sales and Marketing

Suite 303, 754 Pacific Highway, Chatswood,
2067 New South Wales, Australia
Tel: +61 (2) 9196 8990
info-au.bw@soundunited.com



Make:

Bowers & Wilkins

Model No.:

Serial No.:

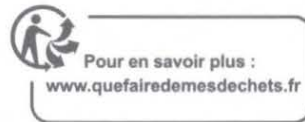
Date of Purchase:

Where Purchased:

B&W Group Ltd.
Dale Road Worthing
West Sussex
BN11 2BH England

EU Importer:
Bowers & Wilkins
Beemdstraat 11
5653 MA Eindhoven
The Netherlands

Copyright © B&W Group Ltd. E&OE



Registering your Bowers & Wilkins purchase
is fast and easy and means that
you will never miss out on updates or offers

[bowerswilkins.com/register](https://www.bowerswilkins.com/register)

Bowers & Wilkins

L'enregistrement de votre achat Bowers & Wilkins est rapide et facile et signifie que vous ne manquerez jamais les mises à jour ou les offres **bowerswilkins.com/register**

Die Registrierung Ihres Bowers & Wilkins-Einkaufs ist schnell und einfach und bedeutet, dass Sie keine Updates oder Angebote verpassen. **bowerswilkins.com/register**

Registrar su compra de Bowers & Wilkins es rápido y fácil y significa que nunca se perderá las actualizaciones ni las ofertas **bowerswilkins.com/register**

Registrare il tuo acquisto Bowers & Wilkins è facile e veloce e significa che non perderai mai aggiornamenti o offerte **bowerswilkins.com/register**

Bowers & Wilkinsの購入の登録は迅速かつ簡単であり、更新やオファーを見逃すことはありません **bowerswilkins.com/register**

注册您购买的 Bowers & Wilkins 既快捷又简单, 这意味着您绝不会错过更新或优惠 **bowerswilkins.com/register**