

Assembling the QwikRig Rigging Frame V2

With the QwikRig Rigging Frame V2, the projector can be secured to trusses or structures built for the purpose of positioning the projector.

With the frame:

- Up to three projectors can be stacked in landscape orientation.
- A single projector can be positioned in portrait mode but no stacking is permitted.

Christie ships the frame separately from the projector.

Affected products

The QwikRig Rigging Frame V2 is designed for use with the following projectors.

Projector model		Compatible lenses
GS Series	DWU850-GS	0.37-0.4:1 zero offset L-shaped UST (P/N: 140-153100-XX)
	DWU880(A)-GS	0.65-0.75 zoom (P/N: 140-143109-XX)
	DWU1075-GS	0.75-0.95 zoom (P/N: 140-119102-XX)
	DWU1082-GS	0.95-1.22 zoom (P/N: 140-101103-XX)
	DWU8902-GS	1.22-1.52 zoom HP (P/N: 140-131106-XX)
	DWU1100(A)-GS	1.52-2.89 zoom (P/N: 140-102104-XX)
	DWU1400(A)-GS	2.9-5.50:1 zoom (P/N: 140-107109-XX)
	DWU630-GS	0.65-0.75 zoom (P/N: 140-143109-XX)
	DWU6322-GS	0.75-0.95 zoom (P/N: 140-119102-XX)
	DWU7062-GS	0.95-1.22 zoom (P/N: 140-101103-XX)
		1.22-1.53 zoom (P/N: 140-132107-XX)
		1.22-1.53 zoom (P/N: 140-132107-XX)
		1.52-2.89 zoom (P/N: 140-102104-XX)
		2.9-5.50:1 zoom (P/N: 140-107109-XX)
Inspire Series	DWU760(A)-iS	—
	DWU860-iS	
	DWU960-iS	
	DWU960ST-iS	
	4K860(A)-iS	

Safety warnings and guidelines

Read all safety and warning guidelines before starting this procedure.



Danger! If not avoided, the following results in death or serious injury.

- Do not stack the device unless specified in this manual.
- Do not stack more than three projectors in landscape orientation.
- The supporting structure must safely support the combined load of the product, all attached hardware, and components following all local safety standards and regulations.
- Use all mounting points, including the safety point, when installing the product overhead.
- Do not use vertical rigging points or the front and back bars when hoisting or securing the rigging frame.



Warning! If not avoided, the following could result in death or serious injury.

- Only use this frame with the specified products.
- Safety straps must be used when stacking two or more rigging frames.
- Always install safety straps when the frame and projector are installed overhead.
- Do not stack empty frames.
- Projectors must be installed in frames before stacking.



Notice. If not avoided, the following could result in property damage.

- Use appropriate packaging when shipping the product installed in the frame.

Accessories and tools required

The following accessories and tools are required for installing the rigging frame.

GS Series accessories

- M6 x 45 screws and washers—quantity 4 (GS Series models with the lenses other than the 0.37-0.4:1 zero offset UST lens (P/N: 140-153100-XX), excluding 630-GS, DWU6322-GS, DWU7062-GS models)
- M6 x 20 screws and washers—quantity 4 (GS Series models with the 0.37-0.4:1 zero offset UST lens (P/N: 140-153100-XX), excluding 630-GS, DWU6322-GS, DWU7062-GS models)
- M6 x 35 screws and washers—quantity 4 (GS Series 630, DWU6322-GS, DWU7062-GS models only)
- 20x7xH30 aluminum mm spacers (GS Series models with the lenses other than the 0.37-0.4:1 zero offset UST lens (P/N: 140-153100-XX), excluding 630-GS, DWU6322-GS, DWU7062-GS models)
- 20x7xH15 mm aluminum spacers (GS Series 630, DWU6322-GS, DWU7062-GS models only)
- 5 mm hex key

Inspire Series accessories

- M4 x 30 screws and washers—quantity 4

- 20x5xH15 mm aluminum spacers
- 3 mm hex key

Physical specifications

Learn the weight and physical dimensions of the QwikRig Rigging Frame V2.

- Weight: 26 kg (57.3 lbs)
- Dimensions: 685 x 665 x 470 mm (27 x 26 x 18.5 inches)

Installing the projector

Secure the projector to the base plate of the frame using the hardware provided.



Danger! If not avoided, the following results in death or serious injury.

- Use all mounting points, including the safety point, when installing the product overhead.

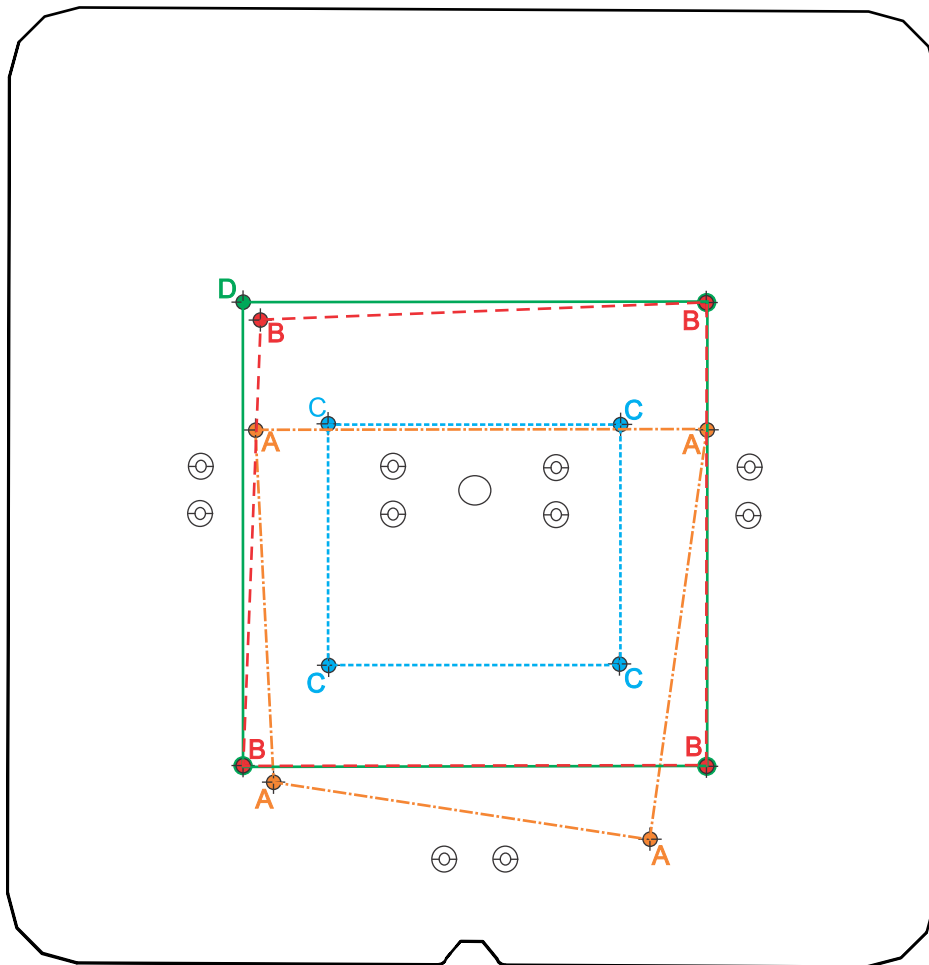


Warning! If not avoided, the following could result in death or serious injury.

- A minimum of two people or appropriately rated lift equipment is required to safely lift, install, or move the product.

1. Perform lens calibration for all lenses excluding the 0.37-0.4:1 zero offset UST lens (P/N: 140-153100-XX).
2. Turn off the light source and cool the projector for at least 15 minutes.
3. Turn off the projector and disconnect it from AC power.
4. Verify the base plate is in a level position.
If necessary, loosen the locking screws on each adjustment knob and adjust.
5. Adjust the projector's feet so there is no extension.
The projector must sit flat on the base plate.
6. Prepare the base plate:
 - GS Series (DWU850-GS, DWU880(A)-GS, DWU1075-GS, DWU1082-GS, DWU8902-GS, DWU1100(A)-GS, DWU1400(A)-GS) with the lenses other than the 0.37-0.4:1 zero offset UST lens (P/N: 140-153100-XX)—Place the 30 mm spacer onto the base plate.
 - GS Series (DWU850-GS, DWU880(A)-GS, DWU1075-GS, DWU1082-GS, DWU8902-GS, DWU1100(A)-GS, DWU1400(A)-GS) with the 0.37-0.4:1 zero offset UST lens (P/N: 140-153100-XX)—Install the lens adapter plate (P/N: 140-156103-XX) and select the feet installation configuration of ceiling mount/system frame according to the *Installing the GS UST 0.37-0.4:1 Lens Instruction Sheet P/N: 020-103828-XX*.
 - GS Series (DWU630-GS, DWU6322-GS, DWU7062-GS)—Place the 15 mm spacer onto the base plate.
 - Inspire Series (DWU760(A)-iS, DWU860-iS, DWU960-iS, DWU960ST-iS, 4K860(A)-iS)—Place the 15 mm spacer onto the base plate.
7. Carefully, insert the projector through the front or the rear of the rigging frame.
The projector should align with the mounting holes in the base plate.
To make locating the mounting points of the projector easier, install a screw through one of the base plate's mounting holes.

8. Secure the projector to the correct mounting points, using four screws.
 - GS Series (DWU850-GS, DWU880(A)-GS, DWU1075-GS, DWU1082-GS, DWU8902-GS, DWU1100(A)-GS, DWU1400(A)-GS) with the lenses other than the 0.37-0.4:1 zero offset UST lens (P/N: 140-153100-XX)—Use M6-1.0, length = 45 mm, torque = 16 N.m.
 - GS Series (DWU850-GS, DWU880(A)-GS, DWU1075-GS, DWU1082-GS, DWU8902-GS, DWU1100(A)-GS, DWU1400(A)-GS) with the 0.37-0.4:1 zero offset UST lens (P/N: 140-153100-XX)—Use M6-1.0, length = 20 mm, torque = 16 N.m.
 - GS Series (DWU630-GS, DWU6322-GS, DWU7062-GS)—Use M6-1.0, length = 35 mm, torque = 16 N.m.
 - Inspire Series (DWU760(A)-iS, DWU860-iS, DWU960-iS, DWU960ST-iS, 4K860(A)-iS)—Use M4-1.0, length = 30 mm, torque = 16 Nm.



A	Orange	GS Series (DWU630-GS, DWU6322-GS, DWU7062-GS)
B	Red	GS Series (DWU850-GS, DWU880(A)-GS, DWU1075-GS, DWU1082-GS, DWU8902-GS, DWU1100(A)-GS, DWU1400(A)-GS) with the lenses other than the 0.37-0.4:1 zero offset UST lens (P/N: 140-153100-XX)
B+	Green	GS Series (DWU850-GS, DWU880(A)-GS, DWU1075-GS, DWU1082-GS, DWU8902-GS, DWU1100(A)-GS, DWU1400(A)-GS) with the 0.37-0.4:1 zero offset UST lens (P/N: 140-153100-XX)
D		

C	Blue	Inspire Series (DWU760(A)-iS, DWU860-iS, DWU960-iS, DWU960ST-iS, 4K860(A)-iS)
---	------	---

Stacking multiple framed projectors

Up to three framed projectors can be stacked in landscape orientation only, and then rigged in an upright or inverted position. Stacking in portrait orientation is not permitted.



Danger! If not avoided, the following results in death or serious injury.

- TIP HAZARD! Stacked frames must be secured together using all locking pins.
- Do not stack the device unless specified in this manual.



Warning! If not avoided, the following could result in death or serious injury.

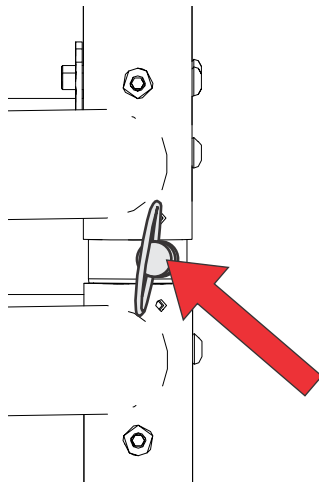
- A minimum of four people or appropriately rated lift equipment is required to safely lift, install, or move the product.
- The supporting structure must safely support the combined load of the product, all attached hardware, and components following all local safety standards and regulations.
- Do not stack more than three projectors in landscape orientation.
- Do not stack empty frames.
- Projectors must be installed in frames before stacking.

1. Remove the locking pins from each stacking leg.
2. With one person positioned on each side of the framed projector, lift the assembly and place it onto the bottom frame.

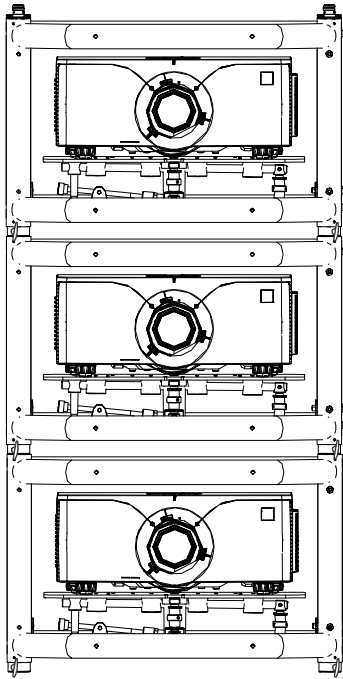
Stacking in portrait orientation is not permitted

3. Verify the four stacking legs of the upper assembly are securely seated on the bottom frame.
4. Insert a locking pin through each of the stacking legs to lock the frames together.

The steel ball on the end of the pin keeps the pin from releasing inadvertently.



5. Install safety straps (not included) between the frames. Safety straps must be adequately rated for the total load.
6. When stacking a third framed projector, repeat steps 1 to 4.



Aligning stacked projectors

Stacked projectors must be correctly aligned to one another to achieve an optimally displayed image.

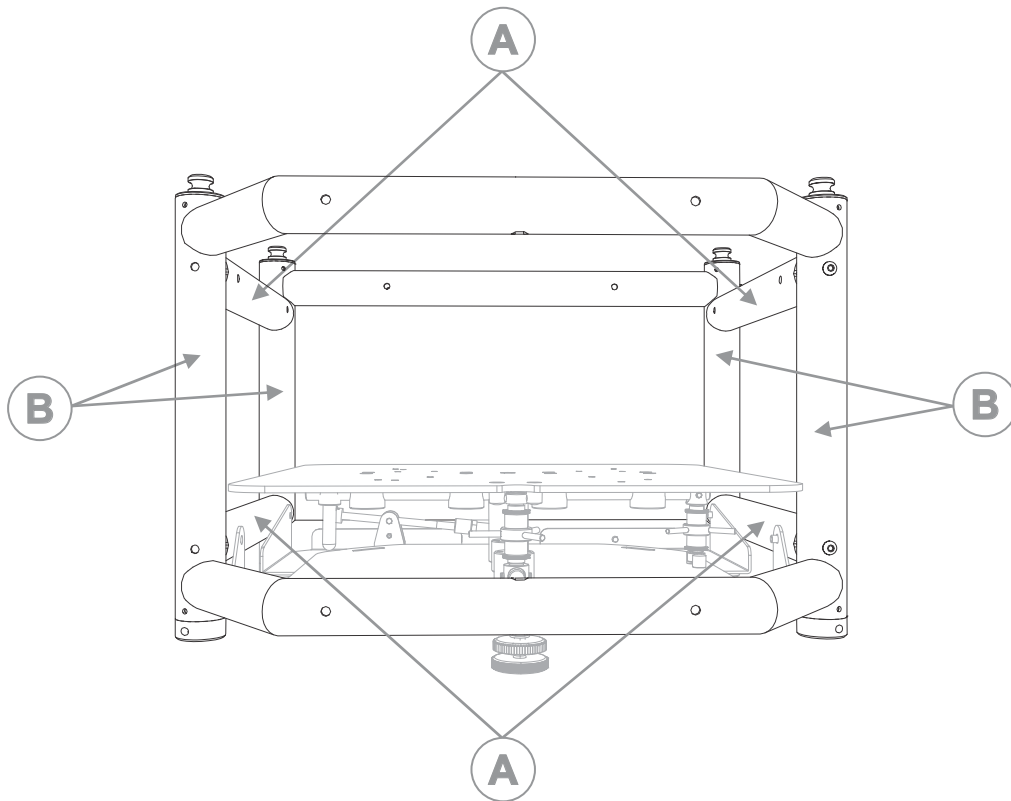


Warning! If not avoided, the following could result in death or serious injury.

- Do not use vertical rigging points or the front and back bars when hoisting or securing the rigging frame.

1. Hoist and secure a stack of projectors before aligning.

Only use the horizontal rigging points (A in the image below) on the rigging frame; do not use the vertical rigging points (B in the image below) or front and back bars when hoisting or securing the rigging frame.

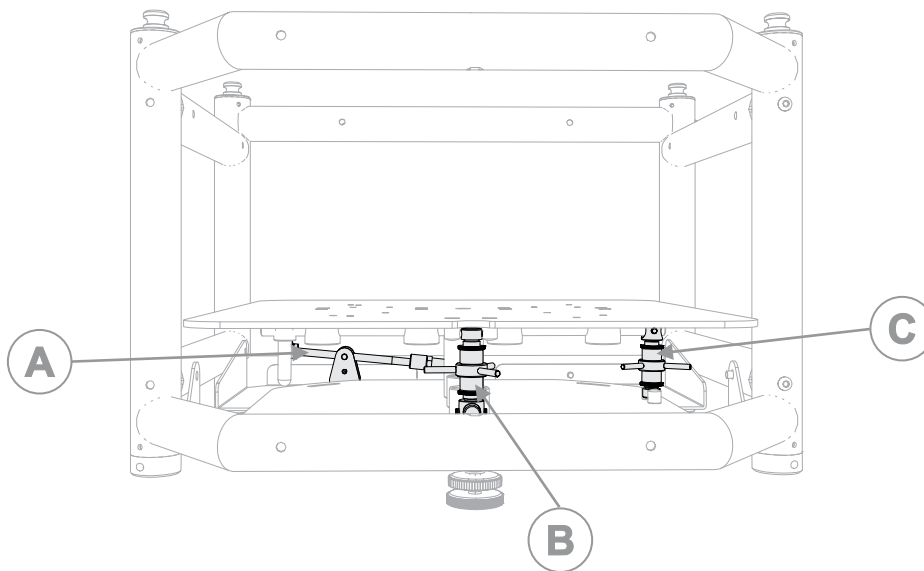


2. Loosen the locking screws on each adjustment knob.
3. Before adjusting the yaw, loosen the four screws on the base plate; otherwise, the adjustment knob can break during adjustment.



With the lens adapter plate (P/N: 140-156103-XX), the negative offset of the 0.37-0.4:1 zero offset UST lens (P/N: 140-153100-XX) is 13% in table mode.

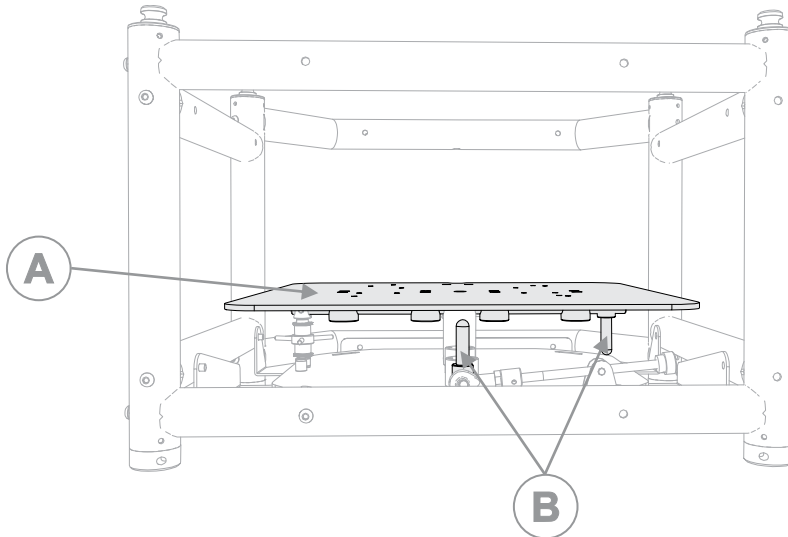
4. Adjust pitch, roll, or yaw until the image geometry is optimized.



A	Yaw—Moves the image to the left or right.
B	Pitch—Moves the image up and down.
C	Roll—Rotates the image clockwise or counter-clockwise.

- For pitch and roll, make sure the gap between the pin (B) and the plate (A) is more than 0.5 mm.

The pin limits the adjustment within the useful range.



- To lock adjustments, tighten the setscrews on each adjustment knob.

Technical support

Technical support for Christie Enterprise products is available at:

- North and South America: +1-800-221-8025 or Support.Americas@christiedigital.com
- Europe, Middle East, and Africa: +44 (0) 1189 778111 or Support.EMEA@christiedigital.com
- Asia Pacific (support.apac@christiedigital.com):
 - Australia: +61 (0)7 3624 4888 or tech-Australia@christiedigital.com
 - China: +86 10 6561 0240 or tech-supportChina@christiedigital.com
 - India: +91 (80) 6708 9999 or tech-India@christiedigital.com
 - Japan: 81-3-3599-7481
 - Singapore: +65 6877-8737 or tech-Singapore@christiedigital.com
 - South Korea: +82 2 702 1601 or tech-Korea@christiedigital.com
- Christie Professional Services: +1-800-550-3061 or NOC@christiedigital.com