

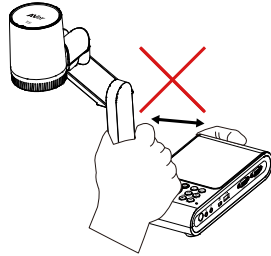
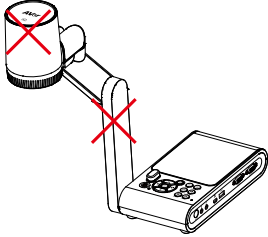
AVerVision M90UHD

User Manual

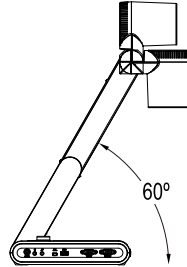
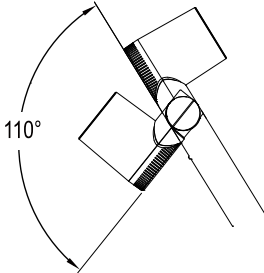


WARNING

- To reduce the risk of fire or electric shock, do not expose this appliance to rain or moisture. Warranty will be void if any unauthorized modifications are done to the product.
- Do not drop the camera or subject it to physical shock.
- Use the correct power supply voltage to avoid the damaging camera.
- Do not place the camera where the cord can be stepped on as this may result in fraying or damage to the lead or the plug.
- Hold the bottom of the camera with both hands to move the camera. Do not grab the lens or flexible arm to move the camera.
- Do not pull the mechanical arm and camera part in the opposite direction.



- Do not move the camera head over 110° to avoid camera head wear.
- Do not pull the mechanical arm lower than 60° to avoid camera wear.





The mark of crossed-out wheeled bin indicates that this product must not be disposed of with your other household waste. Instead, you need to dispose of the waste equipment by handing it over to a designated collection point for the recycling of waste electrical and electronic equipment. For more information about where to drop off your waste equipment for recycling, please contact your household waste disposal service or the shop where you purchased the product.

Warning

This is a class A product. In a domestic environment this product may cause radio interference in which case the user may be required to take adequate measures.

Remote Control Battery Safety Information

- Store batteries in a cool and dry place.
- Do not throw away used batteries in the trash. Properly dispose of used batteries through specially approved disposal methods.
- Remove the batteries if they are not in use for long periods of time. Battery leakage and corrosion can damage the remote control. Dispose of batteries safely and through approved disposal methods.
- Do not use old batteries with new batteries.
- Do not mix and use different types of batteries: alkaline, standard (carbon-zinc) or rechargeable (nickel-cadmium).
- Do not dispose of batteries in a fire.
- Do not attempt to short-circuit the battery terminals.

DISCLAIMER

No warranty or representation, either expressed or implied, is made with respect to the contents of this documentation, its quality, performance, merchantability, or fitness for a particular purpose. Information presented in this documentation has been carefully checked for reliability; however, no responsibility is assumed for inaccuracies. The information contained in this documentation is subject to change without notice.

In no event will AVer Information Inc. be liable for direct, indirect, special, incidental, or consequential damages arising out of the use or inability to use this product or documentation, even if advised of the possibility of such damages.

TRADEMARKS

“AVer” is a trademark owned by AVer Information Inc. Other trademarks used herein for description purpose only belong to each of their companies.

COPYRIGHT

©2023 AVer Information Inc. All rights reserved. | August 9, 2023

All rights of this object belong to AVer Information Inc. Reproduced or transmitted in any form or by any means without the prior written permission of AVer Information Inc. is prohibited. All information or specifications are subject to change without prior notice.

More Help

For FAQs, technical support, software and user manual download, please visit:

Headquarters

Download Center:

<https://www.aver.com/download-center>



Technical Support:

<https://www.aver.com/technical-support>



Europe Branch Office

Download Center:

<https://www.avereurope.com/download-center>



Technical Support:

<https://www.avereurope.com/technical-support>



Contact Information

Headquarters

AVer Information Inc.

<https://www.aver.com>

8F, No.157, Da-An Rd., Tucheng Dist., New Taipei City 23673, Taiwan

Tel: +886 (2) 2269 8535

Europe Branch office

AVer Information Europe B.V.

<https://www.avereurope.com>

Westblaak 134, 3012 KM, Rotterdam, The Netherlands

Tel: +31 (0) 10 7600 550

Technical support: eu.rma@aver.com

Japan Branch Office

アバー・インフォメーション株式会社

<https://jp.aver.com>

〒160-0023 日本東京都新宿区西新宿 3-2-26 立花新宿ビル 7 階

Tel: +81 (0) 3 5989 0290

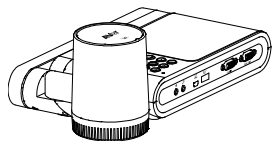
テクニカル・サポート: <https://jp.aver.com/technical-support>

Contents

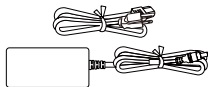
Package Contents	1
Optional Accessories	1
Get Familiar with the AVerVision M90UHD	1
Right Panel.....	3
Left Panel	3
Rear Panel	4
Control Panel.....	5
Remote Control	7
Making the Connections	9
Connecting the Power	9
Connect to a Computer via USB	10
Connect to a Monitor or LCD/DLP Projector with VGA/HDMI Output	11
Connect to a Computer with VGA/HDMI Input	12
Connect an Amplified Speaker	14
Connect a Microphone	14
Connect to a Microscope.....	15
Setting Up AVerVision M90UHD	17
Storing the Document Camera	17
Shooting Area	18
Overhead Light.....	20
Infrared Sensor.....	21
Mounting the M90UHD on a Flat Surface.....	21
Anti-glare Sheet.....	22
External Memory Storage	22
Insert a Micro SD Card	22
Insert a USB Flash Drive	22
RS232 Diagram Connection	23
RS-232 Send Command Table	24
RS-232 Get Command Table	28
OSD MENU	29
Navigate the Menu and Submenu	30
Image	30
Brightness.....	30
Contrast	30
Saturation	30
Preview Mode	31

Effect.....	31
Mirror	31
Exposure Setup	32
Manual Exposure.....	32
White Balance Setup	32
Manual WB Blue	32
Manual WB Red.....	33
Focus.....	33
Setting	34
Capture Resolution	34
Capture Quality.....	34
Capture Type	34
Capture Interval	34
Storage	35
Format	35
USB to PC	35
MIC Volume	35
Start Timer	36
Pause/Stop Timer	36
Timer Interval.....	36
System	37
Language.....	37
Output Display	37
Backup.....	37
Save Setting	37
Recall Setting.....	37
Flicker	38
Information.....	38
Default	38
Playback.....	39
Slide Show.....	39
Interval	39
Storage	39
Delete All	39
Transfer Captured Images/Videos to a computer.....	40
Technical Specifications	41
Image.....	41
Optics	41
Power	41
Lighting	41
Input / Output.....	41
Dimension.....	41
External Storage	42
Troubleshooting.....	43
Limited Warranty.....	44

Package Contents



M90UHD



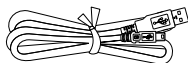
**Power Adapter
Power Cord***



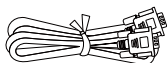
Remote Control



AAA Battery (x2)



USB Cable



VGA Cable



Warranty Card



Quick Start Guide

*The power cord will vary depending on the standard power outlet of the country where it is sold.

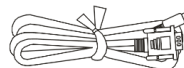
Optional Accessories



Carrying Bag



Anti-glare Sheet



RS-232 Cable

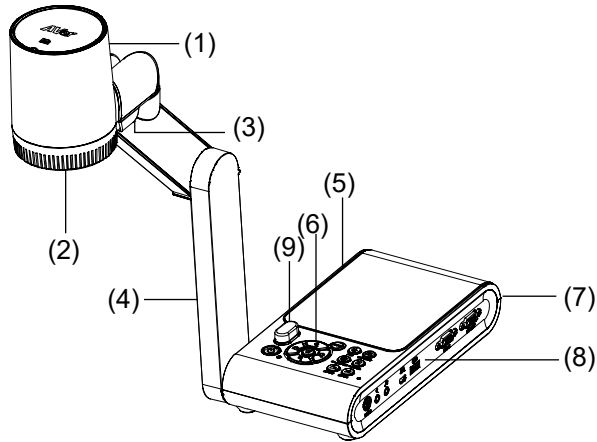


Connecting Plate



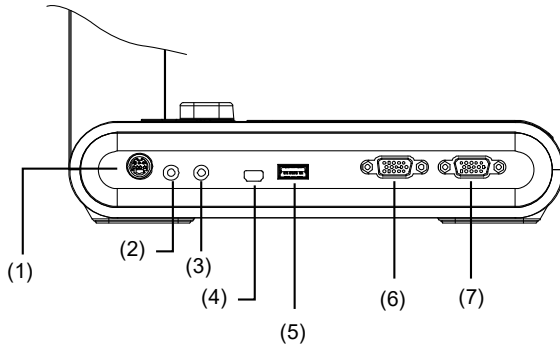
**Microscope Adapter
(28mm and 34mm Rubber Coupler are included)**

Get Familiar with the AVerVision M90UHD



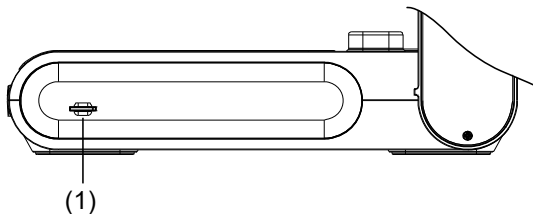
Name	Function
(1) Camera head	Contain the camera sensor.
(2) Camera lens	Focus the image in the camera.
(3) LED light	Provide light to enhance the lighting condition.
(4) Mechanical arm	Provide adjustable viewing coverage.
(5) Left panel	Micro SD card slot.
(6) Control panel	Easy access to various functions.
(7) Rear panel	Connections for power, HDMI output/input external display device, and Kensington security lock compatible slot.
(8) Right panel	Connections for computer, VGA input/output external display device, and USB Port, Mini USB, MIC in, Line out and RS232 (Optional).
(9) IR sensor	Receive remote control commands.

Right Panel



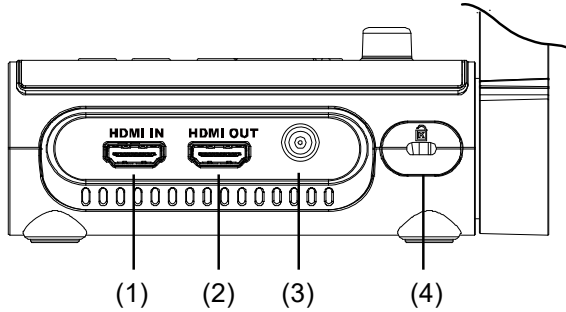
Name	Function
(1) RS232 port	Connect this port to a computer by using RS232 cable. For more details, see RS232 Diagram Connection . (Optional)
(2) Line Out port	Connect to an amplified speaker to playback recorded audio & video clip.
(3) MIC in port	Connect to an external microphone.
(4) USB mini port	Connect to a USB port of a computer with a USB cable and use AVerVision M90UHD as a USB camera or transfer the captured images/videos from the memory source to the computer.
(5) USB port	Insert a USB flash drive to save the images/video directly from the USB flash drive.
(6) VGA IN port	Input the signal from a computer or other sources and pass it through to the VGA OUT port only. Connect this port to the VGA output port of a computer.
(7) VGA OUT port	Connect the AVerVision M90UHD to any display device with VGA cable.

Left Panel



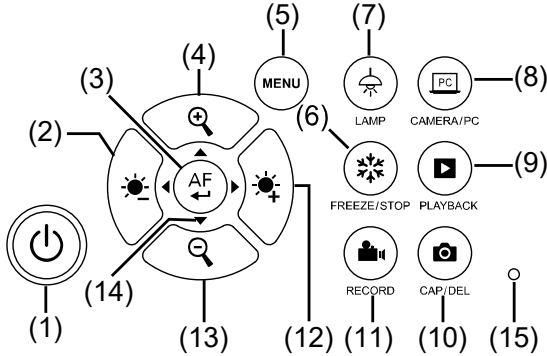
Name	Function
(1) Micro SD card slot	Insert the Micro SD card with the label facing up. Micro SD card can save capture image and record video file.










Rear Panel





Name	Function
(1) HDMI IN port	Connect an external HDMI source as an input via this port. Connect this port to the HDMI output port of a computer.
(2) HDMI OUT port	Output the video signal from the main system on an interactive flat panel, an LCD monitor or LCD/DLP projector with HDMI interface using HDMI cable.
(3) DC 5V	Connect the power adapter into this port.
(4) Antitheft Slot	Attach a Kensington compatible security lock or anti-theft device.

Control Panel

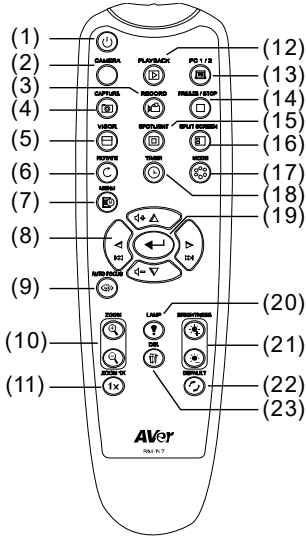


Name	Function
(1) POWER	Turn the unit on/standby mode.
(2) 	Decrease the brightness.
(3) 	<ul style="list-style-type: none"> - Make a selection in Playback mode and OSD menu. - Start/Pause video playback. - Adjust the focus automatically.
(4) 	Increase the image magnification in the camera and picture playback mode.
(5) MENU	Open and exit the OSD menu and submenu.
(6)  FREEZE/STOP	<ul style="list-style-type: none"> - Pause or resume image display in Camera mode. - Stop audio & video playback in Playback mode.
(7)  LAMP	Turn the overhead light on/off.
(8)  CAMERA / PC	Switch the video signal between camera or computer from the VGA or HDMI IN port.
(9)  PLAYBACK	View & playback captured still images and video files.
(10)  CAP/DEL	<ul style="list-style-type: none"> - Capture picture in Camera mode. In continuous capture mode, press this button again to stop. - Delete the selected picture/video in Playback mode.
(11)  RECORDING	Start/Stop audio & video recording. Audio and video recording can be saved on an SD card or a USB Flash drive only. See External Memory Storage .

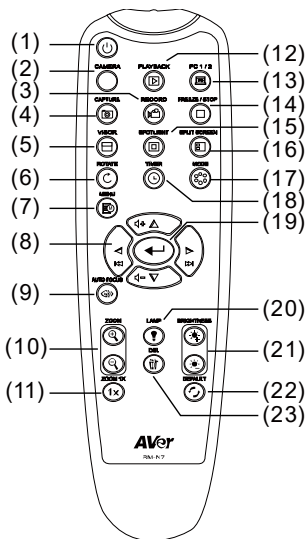
Name	Function
(12) 	Increase the brightness.
(13) 	Decrease the image magnification in camera and picture playback mode.
(14) ▲, ▼, ◀, & ▶	<ul style="list-style-type: none"> - Pan and zoom-in image (above digital zoom level) in live mode. - Select options in OSD menu. - Use ▲&▼ to increase and decrease the video playback volume. - Use ◀&▶ to play the video backward and forward.
(15) Built-in MIC	Record audio when recording a video clip. The recorded sound will be in monophonic.

Remote Control

The remote control requires two (2) “AAA” size batteries (provided), make sure batteries are installed properly before use. You can access all the features of AVerVision M90UHD with the remote.



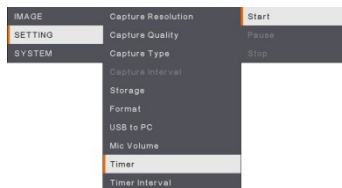
Name	Function
(1) POWER	Turn the unit on/off/standby
(2) CAMERA	Camera mode displays the video signal from the built-in camera.
(3) RECORD	Start/Stop audio & video recording. Video recording can only be saved either in a SD memory card or a USB flash drive.
(4) CAPTURE	Capture still image in Camera mode. In continuous capture mode, press this button again to stop.
(5) VISOR	Not supported
(6) ROTATE	Rotate the image by 0/180° in Camera mode.
(7) MENU	Open and exit the OSD menu.
(8) ▲, ▼, ◀, & ▶	<ul style="list-style-type: none"> - Pan and zoom-in image (above digital zoom level) in live mode. - Select options in OSD menu. - Use ▲ & ▼ to increase and decrease the video playback volume. - Use ◀ & ▶ to play the video backward and forward.
(9) AUTO FOCUS	Adjust the focus automatically.
(10) ZOOM +/-	Increase/decrease the image magnification in camera and picture playback mode.
(11) ZOOM 1X	Reset zoom level to 100%.
(12) PLAYBACK	View the captured picture/video from the memory images.
(13) PC 1/2	PC mode displays the video signal from the VGA/HDMI INPUT port of M90UHD.
(14) FREEZE / STOP	<ul style="list-style-type: none"> - Freeze live images. - Stop video playback.
(15) SPOTLIGHT	Not supported
(16) SPLIT SCREEN	Not supported
(17) MODE	Press to switch between Normal, High frame, and High quality, Microscope, Infinity, or Marco mode.



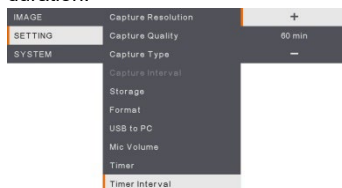
Name	Function
------	----------

(18) TIMER

Call the Timer submenu. Select to Start/Pause/Stop the timer countdown.



Select Timer Interval to set the timer duration.



(19) 

- Make a selection in Playback mode and OSD menu.
- Play/Pause video playback.

(20) LAMP

Turn the overhead light on/off.

(21) BRIGHTNESS +/-

Adjust the brightness.

(22) DEFAULT

Reset to factory default setting.


(23) DEL

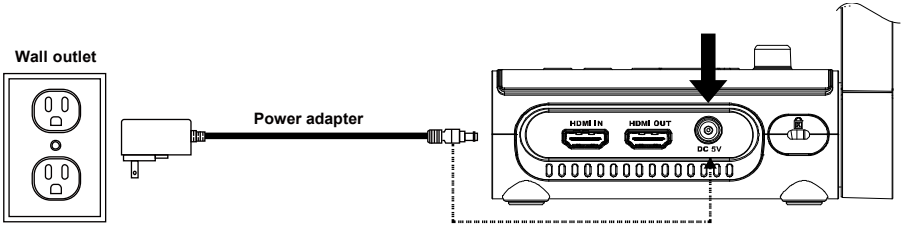
Delete the selected picture/video in Playback mode.

Making the Connections

Before making the connection, make sure the power of all devices are turned off. If you are not sure where to connect, simply follow the illustrated connections below and refer to the user manual of the device you are connecting to the AVerVision M90UHD.

Connecting the Power

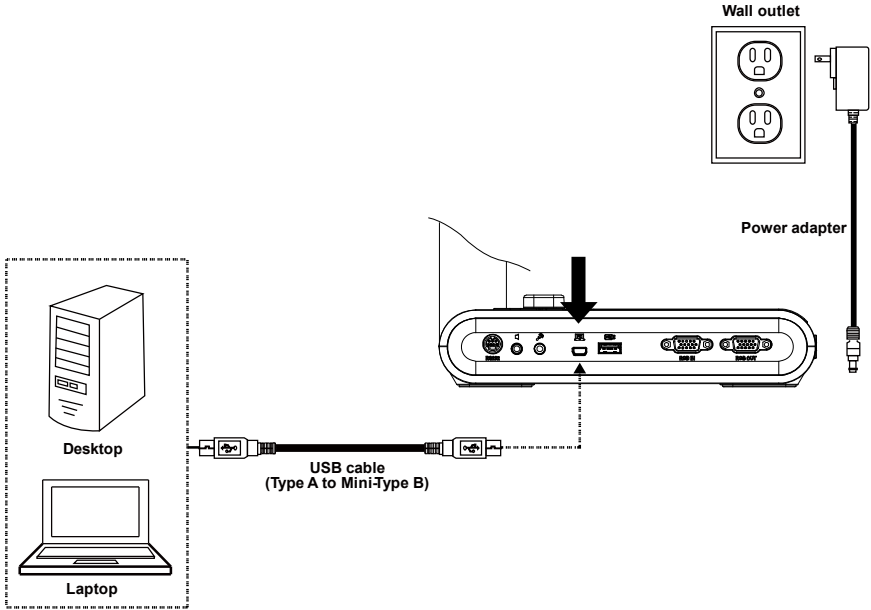
Connect the power adapter to a standard 100V~240V AC power outlet. The unit automatically in standby mode once the power is connected. Press  to turn on.



* Wall outlet varies depending on certain regions.

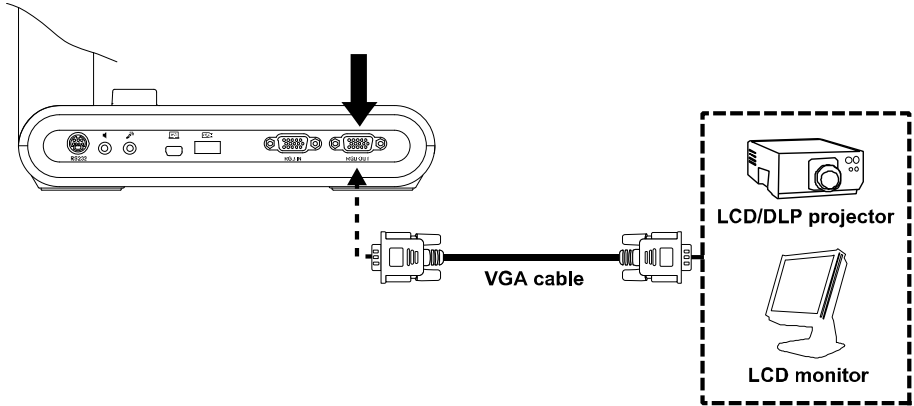
Connect to a Computer via USB

Locate the USB port of the computer or laptop and connect it to PC port of AVerVision M90UHD. Then your M90UHD can be used as a USB camera, you may select it as your camera when turning on software like Skype, Teams and Zoom etc.

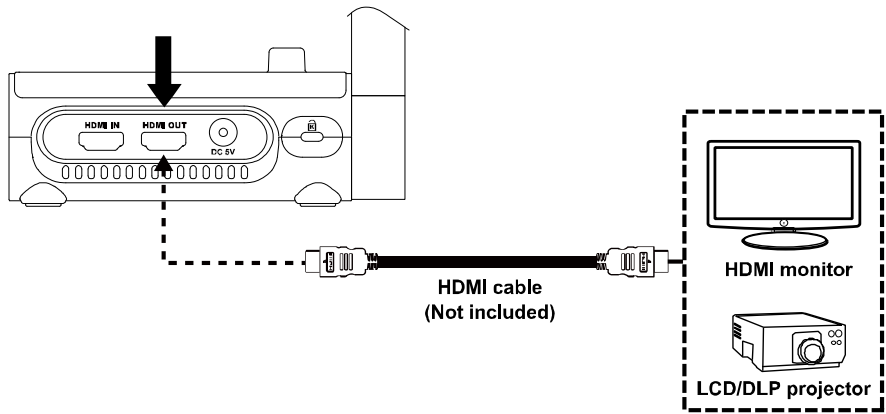


Connect to a Monitor or LCD/DLP Projector with VGA/HDMI Output

Locate the VGA/HDMI input port of the display device and connect it to VGA/HDMI OUT port of AVerVision M90UHD.



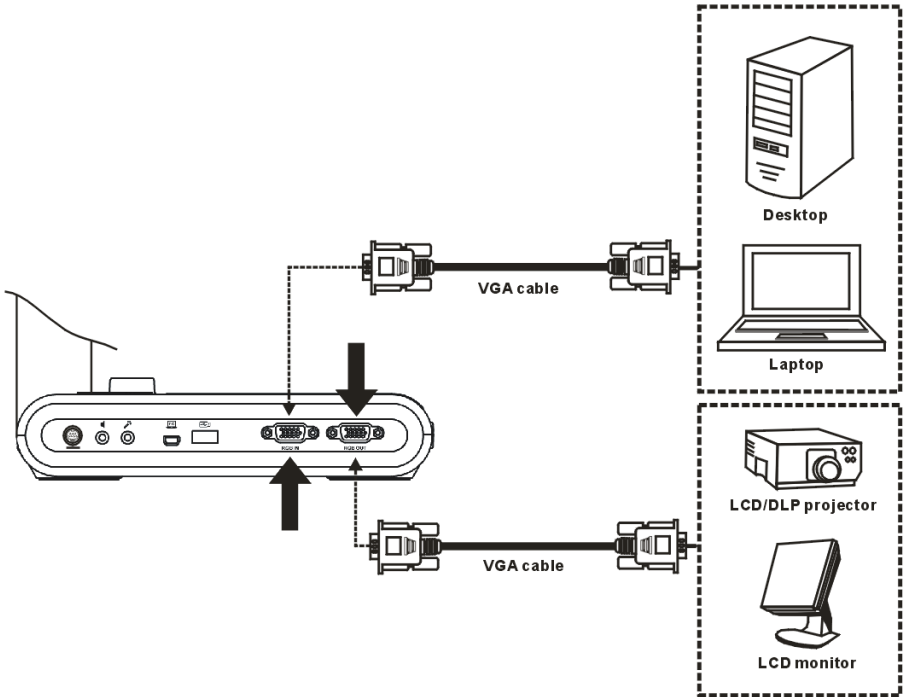
* VGA cable connection



* HDMI cable connection

Connect to a Computer with VGA/HDMI Input

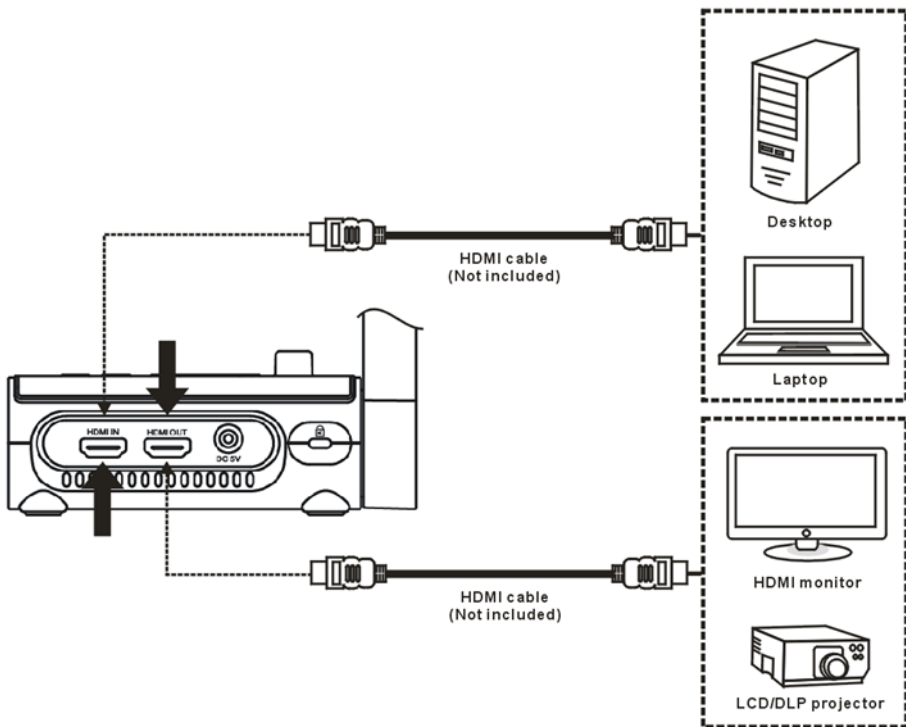
Locate the VGA/HDMI input port of the display device and connect it to VGA/HDMI out port of AVerVision M90UHD.




On the other side, locate the VGA/HDMI output port of the computer or laptop and connect it to VGA/HDMI in port of AVerVision M90UHD. The video signal from the VGA/HDMI IN port is streamed to VGA/HDMI OUT.

[Note]

- To display computer image, press **Camera/PC** button on the control panel or remote control to switch AVerVision M90UHD to computer mode.
- For laptop to output display image, use the keyboard command (FN+F5) to switch between the display modes. For different command, please refer to your laptop manual.

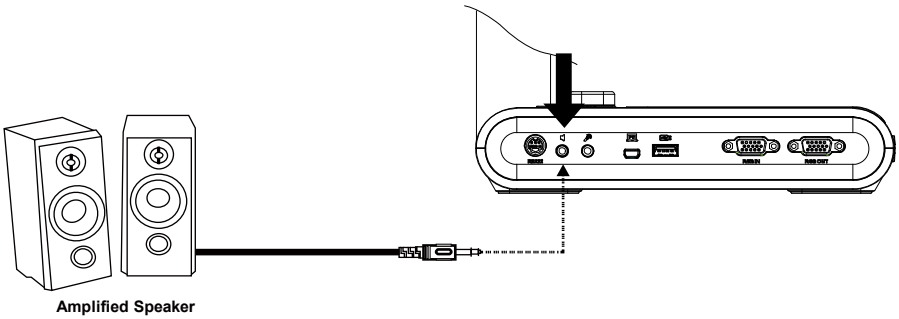


Connect an Amplified Speaker


Plug a 3.5mm amplified speaker to Line Out () port. Only the audio from the video playback is supported.

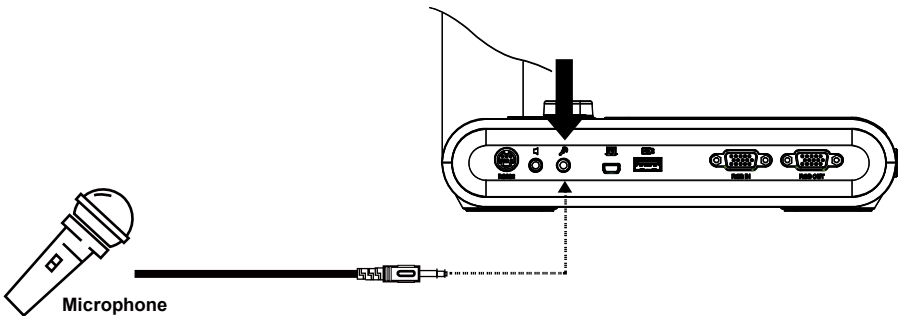
[Note]

We recommend connecting an amplified speaker to the Line out port. Take caution when using earphones. Adjust the volume down on the remote to prevent hearing damage due to loudness.



Connect a Microphone

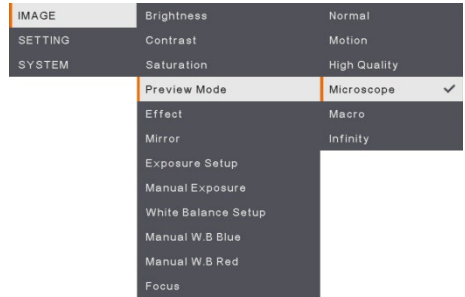
Plug a 3.5mm microphone to MIC In () port.



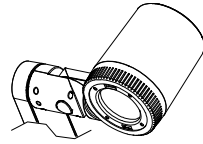
Connect to a Microscope

Connect the AVerVision M90UHD to a microscope enables you to examine microscopic objects on a big screen.

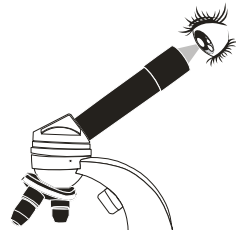
1. Change the image display mode to Microscope. Select **IMAGE** tab > select **Preview Mode** > select **Microscope** and press .



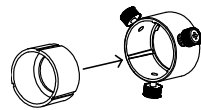
2. Aim the camera head at the farthest point and press **AUTO FOCUS**.



3. Adjust the focus of the microscope.



4. Select the appropriate rubber coupler size for the microscope eyepiece and insert it in the microscope adapter.

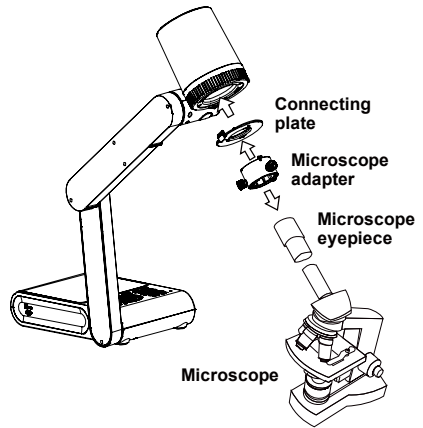


- Remove the microscope eyepiece from the microscope and connect it to the microscope adapter with the rubber coupler inserted. Fasten the 3 bolts until the adapter secures the eyepiece.

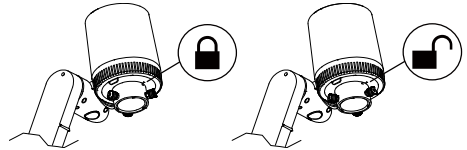


- For the eyepiece, we suggest using 33mm eye relief or higher.
- Do the adjustment manually to get better image view.

- Attach the microscope adapter to the AVerVision camera head with a connecting plate. Then connect it to the AVerVision and microscope.



Make sure the arrows on the camera and microscope adapter are aligned and rotated to the left and locked.

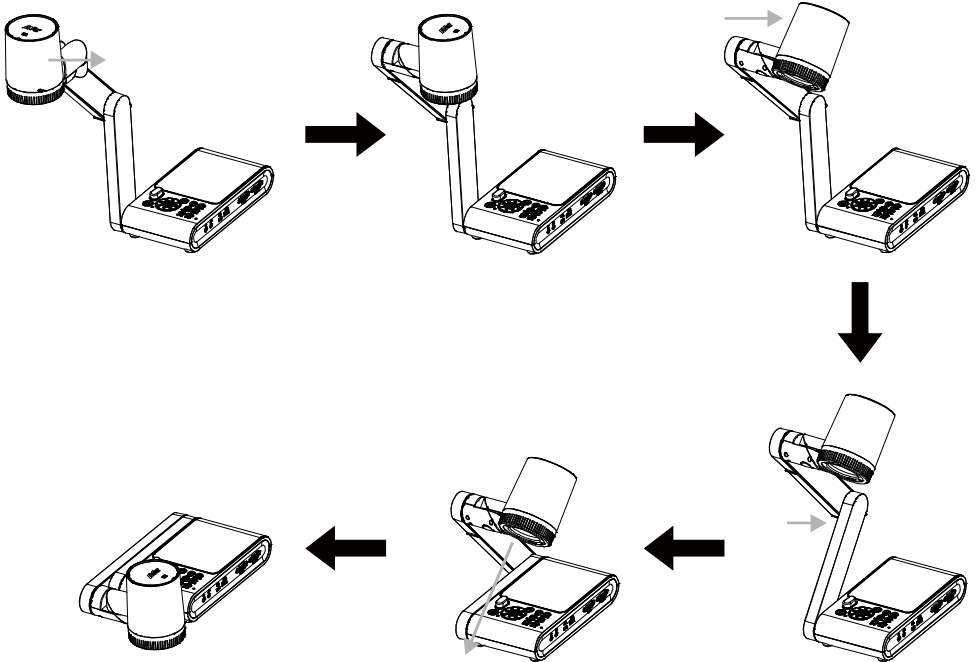


Setting Up AVerVision M90UHD

This section provides useful tips on how to adjust the AVerVision M90UHD to meet your needs.

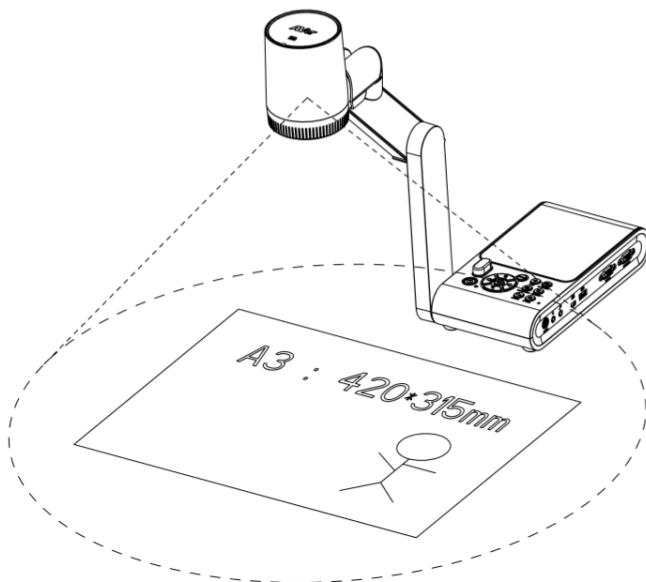
Storing the Document Camera

Please follow the below figure to store the document camera.

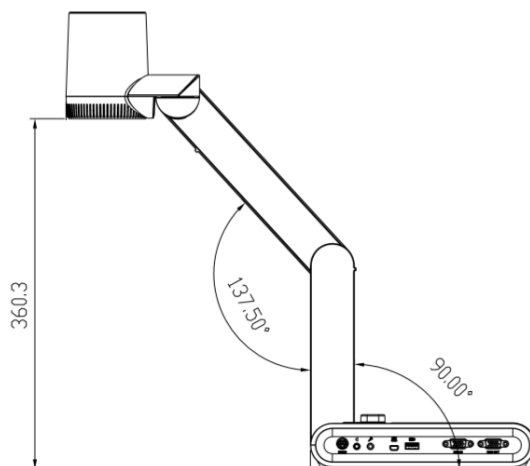


Shooting Area

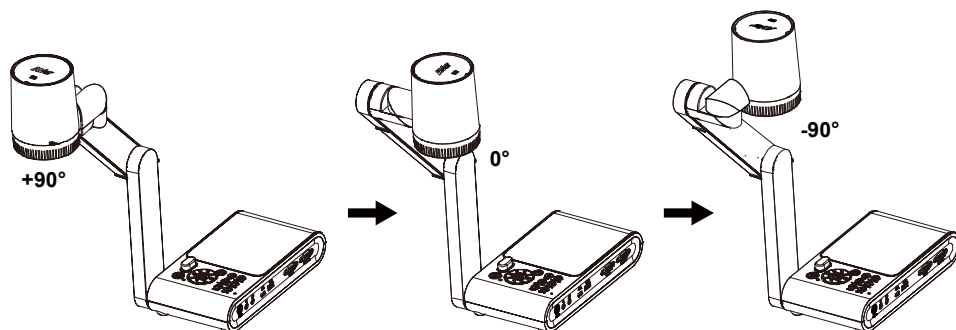
The shooting area can be viewed an area of 420 x 315mm at High Definition preview mode.



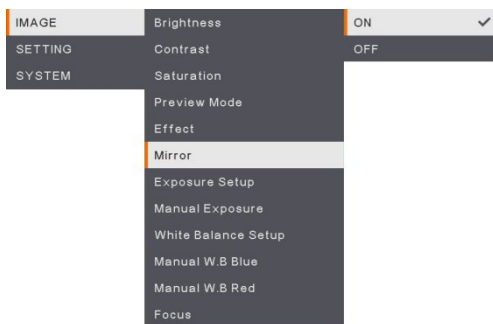
When camera position is 360.3mm high, the shooting area will be A3 size.



The Camera head can be rotated 90° as below figure shown.

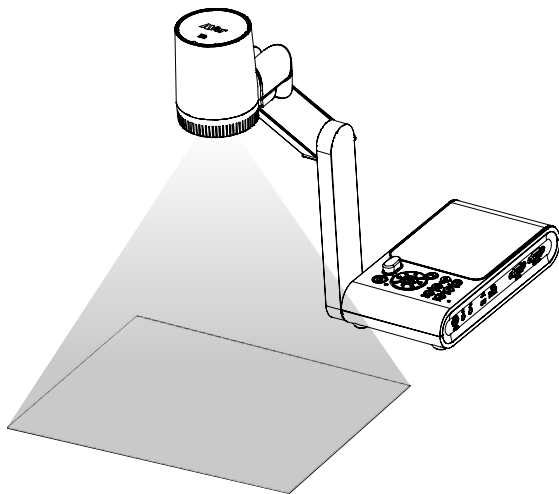
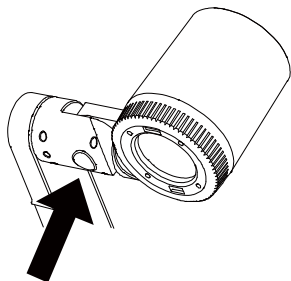


To mirror the image, press **MENU** > select **Mirror**, press **↔**, and select **On**.



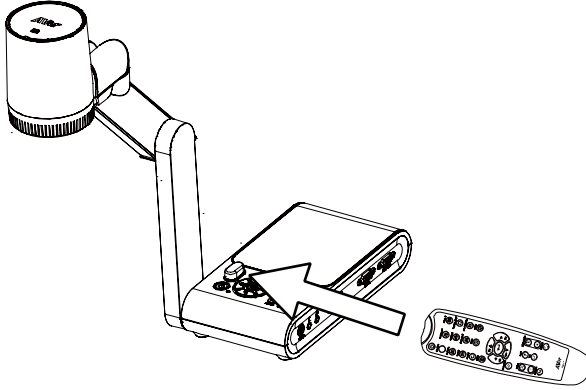
Overhead Light

Press LAMP button on the control panel or remote control to turn on and off light.



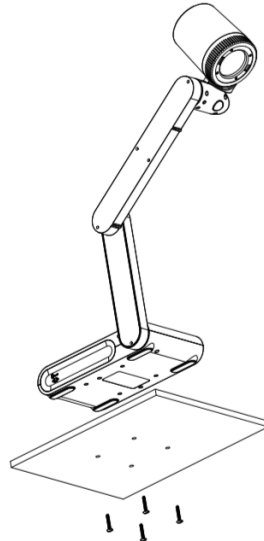
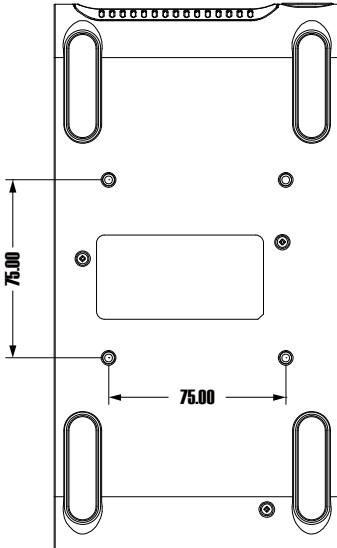
Infrared Sensor

Aim the remote control at the infrared sensor to operate the unit.



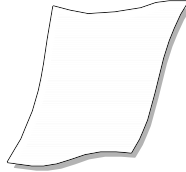
Mounting the M90UHD on a Flat Surface

Measure and mark the horizontal of 75 mm from the center line distance between the holes on the flat surface as describe in the illustration below. Use 2 or 4 pieces of M4.0 screws for 6 mm holes and secure the M90UHD on the flat surface.



Anti-glare Sheet

The anti-glare sheet is a special coated film that helps eliminate any glare that maybe encountered while displaying very shiny objects or glossy surfaces such as magazines and pictures. To use, simply place the anti-glare sheet on top of the shiny document to reduce reflected light.

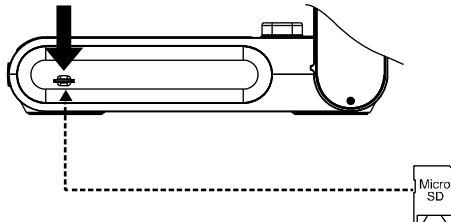


External Memory Storage

AVerVision M90UHD supports both Micro SD memory card and USB flash drive for more image capture and audio & video recordings. AVerVision M90UHD can detect when there is an external storage media and automatically switch to the last detected storage. If no external storage is connected, all captured still images will be saved in the built-in memory.

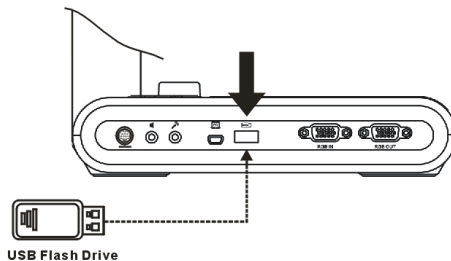
Insert a Micro SD Card

Insert the card with the contact facing down until it reaches the end. To remove the card, push to eject and pull the card out. The supported Micro SD card capacity is from 1GB to 32GB (FAT32).



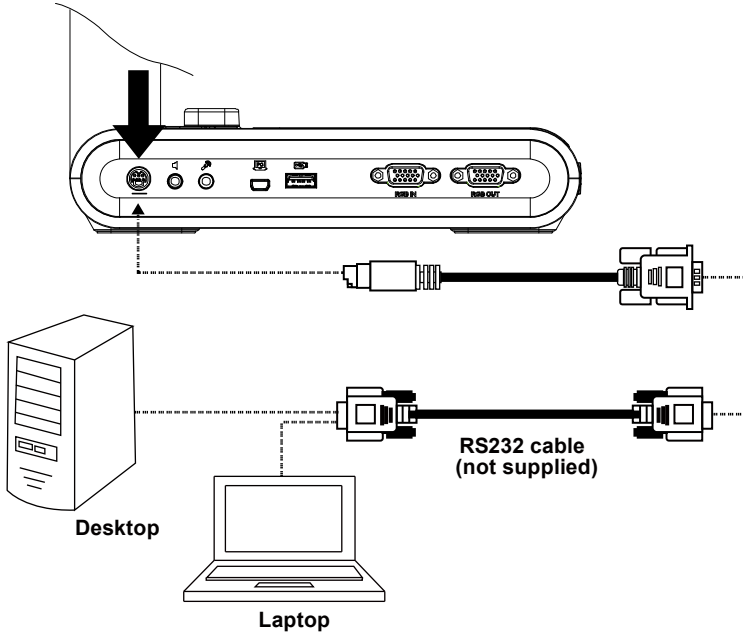
Insert a USB Flash Drive

Connect the USB flash drive in the USB slot. AVerVision M90UHD can support USB flash drive maximum 32GB. **Best to format the USB flash drive using AVerVision M90UHD for better video recording.**



RS232 Diagram Connection

AVerVision M90UHD can be controlled using a computer or any centralized control panel through RS232 connection.



RS-232 Send Command Table

Send Format : $0x52 + 0x0B + 0x03 + \text{Data}[0] + \text{Data}[1] + \text{Data}[2] + 0x53 + \text{Checksum}^{*1}$

Success Receive Format : $0x53 + 0x00 + 0x02 + *2 + 0x00 + 0x52 + \text{Checksum}^{*4}$

Abnormal Receive Format : $0x53 + 0x00 + 0x01 + *3 + 0x52 + \text{Checksum}^{*5}$

*1 : Checksum = $0x0B \text{ xor } 0x03 \text{ xor } \text{Data}[0] \text{ xor } \text{Data}[1] \text{ xor } \text{Data}[2] \text{ xor } 0x53$

*2 : Receive data ok : $0x0B$, Not Command : $0x03$

*3 : ID error: $0x01$, Checksum error: $0x02$, Function fail = $0x04$

*4 : Checksum = $0x00 \text{ xor } 0x02 \text{ xor } *2 \text{ xor } 0x00 \text{ xor } 0x52$

*5 : Checksum = $0x00 \text{ xor } 0x01 \text{ xor } *3 \text{ xor } 0x52$

*6 : Standby Mode Receive Data = $0x51 + 0xFF + 0x01 + 0x0B + 0x51 + 0xA4$

Power On Mode Receive Data = No Data Return

*7 : Standby Mode Receive Data = $0x51 + 0x00 + 0x01 + 0x0B + 0x51 + 0x5B$

Power On Mode Receive Data = $0x53 + 0x00 + 0x02 + 0x0B + 0x00 + 0x52 + 0x5B$

Function	Data[0]	Data[1]	Data[2]	Checksum
POWER OFF ^{*6}	0x01	0x00	0x00	0x5a
POWER ON ^{*7}	0x01	0x01	0x00	0x5b
CAMERA MODE	0x02	0x00	0x00	0x59
PLAYBACK MODE	0x03	0x00	0x00	0x58
PC 1/2	0x04	0x00	0x00	0x5f
IMAGE CAPTURE TYPE: SINGLE	0x05	0x00	0x00	0x5e
IMAGE CAPTURE TYPE: CONTINUOUS	0x05	0x01	0x00	0x5f
CONT. CAPTURE INTERVAL +	0x06	0x00	0x00	0x5d
CONT. CAPTURE INTERVAL -	0x06	0x01	0x00	0x5c
IMAGE CAPTURE RESOLUTION: NORMAL	0x07	0x00	0x00	0x5c
IMAGE CAPTURE RESOLUTION: 13M	0x07	0x01	0x00	0x5d
TIMER START	0x08	0x00	0x00	0x53
TIMER PAUSE	0x08	0x01	0x00	0x52
TIMER STOP	0x08	0x02	0x00	0x51
TIMER SET TIME	0x08	0x03	Value[1 ~ 120]	*1
PREVIEW MODE: MOTION	0x0A	0x02	0x00	0x53
PREVIEW MODE: MICROSCOPE	0x0A	0x03	0x00	0x52
PREVIEW MODE: MACRO	0x0A	0x04	0x00	0x55

Function	Data[0]	Data[1]	Data[2]	Checksum
PREVIEW MODE: INFINITE	0x0A	0x05	0x00	0x54
PREVIEW MODE: NORMAL	0x0A	0x06	0x00	0x57
PREVIEW MODE: HIGH QUALITY	0x0A	0x07	0x00	0x56
PREVIEW CAPTURE	0x0B	0x00	0x00	0x50
PLAYBACK DELETE	0x0C	0x00	0x00	0x57
PLAYBACK FULL SCREEN	0x0D	0x00	0x00	0x56
MIRROR OFF	0x0E	0x00	0x00	0x55
MIRROR ON	0x0E	0x01	0x00	0x54
ROTATE OFF	0x0F	0x00	0x00	0x54
ROTATE ON	0x0F	0x02	0x00	0x56
EFFECT: COLOR	0x10	0x00	0x00	0x4b
EFFECT: B/W	0x10	0x01	0x00	0x4a
EFFECT: NEGATIVE	0x10	0x02	0x00	0x49
CONTRAST INCREASE	0x11	0x00	0x00	0x4a
CONTRAST DECREASE	0x11	0x01	0x00	0x4b
CONTRAST VALUE	0x11	0x02	Value[1 ~ 255]	*1
BRIGHTNESS INCREASE	0x12	0x00	0x00	0x49
BRIGHTNESS DECREASE	0x12	0x01	0x00	0x48
BRIGHTNESS VALUE	0x12	0x02	Value[1 ~ 255]	*1
EXPOSURE: AUTO	0x13	0x00	0x00	0x48
EXPOSURE: MANUAL	0x13	0x01	0x00	0x49
EXPOSURE MANUAL INCREASE	0x14	0x00	0x00	0x4f
EXPOSURE MANUAL DECREASE	0x14	0x01	0x00	0x4e
WHITE BALANCE: AUTO	0x15	0x00	0x00	0x4e
WHITE BALANCE: MANUAL	0x15	0x01	0x00	0x4f
WHITE BALANCE BLUE INCREASE	0x16	0x00	0x00	0x4d
WHITE BALANCE BLUE DECREASE	0x16	0x01	0x00	0x4c
WHITE BALANCE RED INCREASE	0x17	0x00	0x00	0x4c
WHITE BALANCE RED DECREASE	0x17	0x01	0x00	0x4d
FLICKER: 50Hz	0x18	0x00	0x00	0x43

Function	Data[0]	Data[1]	Data[2]	Checksum
FLICKER: 60Hz	0x18	0x01	0x00	0x42
RECORD: OFF	0x23	0x00	0x00	0x78
RECORD: ON	0x23	0x01	0x00	0x79
MOVIE FAST REWIND	0x25	0x00	0x00	0x7e
MOVIE FAST FORWARD	0x25	0x01	0x00	0x7f
MOVIE VOL INC	0x26	0x00	0x00	0x7d
MOVIE VOL DEC	0x26	0x01	0x00	0x7c
STORAGE: EMBEDDED	0x28	0x00	0x00	0x73
STORAGE: SD CARD	0x28	0x01	0x00	0x72
STORAGE: THUMB DRIVE	0x28	0x02	0x00	0x71
FORMAT: EMBEDDED	0x29	0x00	0x00	0x72
FORMAT: SD CARD	0x29	0x01	0x00	0x73
FORMAT: THUMB DRIVE	0x29	0x02	0x00	0x70
OUTPUT RESOLUTION: 1024x768	0x2F	0x01	0x00	0x75
OUTPUT RESOLUTION: 1280x720	0x2F	0x02	0x00	0x76
OUTPUT RESOLUTION: 1920x1080	0x2F	0x03	0x00	0x77
OUTPUT RESOLUTION: 3840x2160@30	0x2F	0x08	0x00	0x7c
OUTPUT RESOLUTION: 3840x2160@60	0x2F	0x09	0x00	0x7d
USB CONNECT: USB CAMERA	0x30	0x00	0x00	0x6b
USB CONNECT: MASS STORAGE	0x30	0x01	0x00	0x6a
BACKUP TO SD CARD	0x31	0x00	0x00	0x6a
BACKUP TO THUMBDRIVE	0x31	0x01	0x00	0x6b
PROFILE SAVE: PROFILE 1	0x32	0x00	0x00	0x69
PROFILE SAVE: PROFILE 2	0x32	0x01	0x00	0x68
PROFILE SAVE: PROFILE 3	0x32	0x02	0x00	0x6b
PROFILE RECALL: PROFILE 1	0x33	0x00	0x00	0x68
PROFILE RECALL: PROFILE 2	0x33	0x01	0x00	0x69
PROFILE RECALL: PROFILE 3	0x33	0x02	0x00	0x6a
SLIDESHOW: OFF	0x34	0x00	0x00	0x6f
SLIDESHOW: ON	0x34	0x01	0x00	0x6e

Function	Data[0]	Data[1]	Data[2]	Checksum
CAPTURE QUALITY: NORMAL	0x37	0x00	0x00	0x6c
CAPTURE QUALITY: HIGH	0x37	0x01	0x00	0x6d
CAPTURE QUALITY: FINEST	0x37	0x02	0x00	0x6e
AUTO FOCUS	0x40	0x00	0x00	0x1b
MENU	0x41	0x00	0x00	0x1a
ARROW - DOWN	0x42	0x00	0x00	0x19
ARROW - UP	0x42	0x01	0x00	0x18
ARROW - LEFT	0x42	0x02	0x00	0x1b
ARROW - RIGHT	0x42	0x03	0x00	0x1a
ENTER	0x43	0x00	0x00	0x18
FREEZE/STOP	0x44	0x00	0x00	0x1f
DEFAULT	0x45	0x00	0x00	0x1e
ZOOM -	0x46	0x00	0x00	0x1d
ZOOM +	0x46	0x01	0x00	0x1c
ZOOM RESET	0x47	0x00	0x00	0x1c
FOCUS TO NEAR	0x48	0x00	0x00	0x13
FOCUS TO FAR	0x48	0x01	0x00	0x12
LAMP OFF	0x49	0x00	0x00	0x12
LAMP ON	0x49	0x01	0x00	0x13
SATURATION INCREASE	0x4B	0x00	0x00	0x10
SATURATION DECREASE	0x4B	0x01	0x00	0x11
SATURATION VALUE	0x4B	0x02	Value[1 ~ 255]	*1
MUTE OFF	0x4C	0x00	0x00	0x17
MUTE ON	0x4C	0x01	0x00	0x16

RS-232 Get Command Table

Send Format : 0x52 + 0x0A + 0x01 + Data[0] + 0x53 + Checksum

Receive Format : 0x53 + 0x0C + 0x01 + ReData[0] + 0x52 + ReChecksum*1

*1 : ReChecksum = 0x0C xor 0x01 xor ReData[0] xor 0x52

*2 : Power Status Receive Data = 0x51 + 0xFF + 0x01 + 0x0A + 0x51 + 0xA5

Function	Data[0]	Checksum	ReData[0]
Red Value	0x02	0x5A	Value[0 ~ 255]
Blue Value	0x03	0x5B	Value[0 ~ 255]
Power Status	0x04	0x5C	OFF [*2]
			1: ON
Lamp Status	0x05	0x5D	0: OFF 1: ON
Display Status	0x06	0x5E	0: Camera Mode
			1: Playback Mode
			2: PC-1 Pass Through
Freeze Status	0x08	0x50	0: OFF 1: ON
Brightness Value	0x0A	0x52	Value[1 ~ 64]
Contrast Value	0x0B	0x53	Value[1 ~ 32]
Saturation Value	0x0D	0x55	Value[1 ~ 32]

OSD MENU

There are 3 main options on the OSD menu: **IMAGE**, **SETTING** and **SYSTEM**.

IMAGE	Brightness
SETTING	Contrast
SYSTEM	Saturation
	Preview Mode
	Effect
	Mirror
	Exposure Setup
	Manual Exposure
	White Balance Setup
	Manual W.B Blue
	Manual W.B Red
	Focus

IMAGE

IMAGE	Language
SETTING	Output Display
SYSTEM	Backup
	Save Setting
	Recall Setting
	Flicker
	Information
	Default

SYSTEM

IMAGE	Capture Resolution
SETTING	Capture Quality
SYSTEM	Capture Type
	Capture Interval
	Storage
	Format
	USB to PC
	Mic Volume
	Timer
	Timer Interval

SETTING

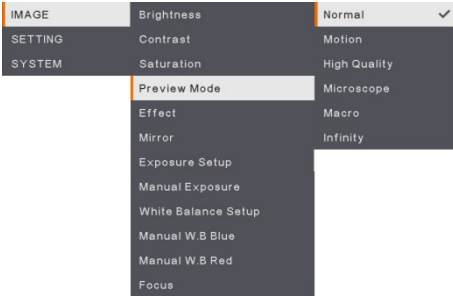
Navigate the Menu and Submenu

1. Press **MENU** button on the remote or control panel.
2. Press **▶**, **◀**, **▲** and **▼** to choose a selection in the menu list.
3. Press **↶** to make a selection.
4. Use **▲** and **▼** to adjust the setting or make a selection.
5. Press **↶** to enter submenu.

Image

Menu Screen			Function																																		
<table border="1"> <tr> <td>IMAGE</td> <td>Brightness</td> <td>+</td> </tr> <tr> <td>SETTING</td> <td>Contrast</td> <td>125</td> </tr> <tr> <td>SYSTEM</td> <td>Saturation</td> <td>-</td> </tr> <tr> <td></td> <td>Preview Mode</td> <td></td> </tr> <tr> <td></td> <td>Effect</td> <td></td> </tr> <tr> <td></td> <td>Mirror</td> <td></td> </tr> <tr> <td></td> <td>Exposure Setup</td> <td></td> </tr> <tr> <td></td> <td>Manual Exposure</td> <td></td> </tr> <tr> <td></td> <td>White Balance Setup</td> <td></td> </tr> <tr> <td></td> <td>Manual W.B Blue</td> <td></td> </tr> <tr> <td></td> <td>Manual W.B Red</td> <td></td> </tr> <tr> <td></td> <td>Focus</td> <td></td> </tr> </table>	IMAGE	Brightness	+	SETTING	Contrast	125	SYSTEM	Saturation	-		Preview Mode			Effect			Mirror			Exposure Setup			Manual Exposure			White Balance Setup			Manual W.B Blue			Manual W.B Red			Focus		<p>Brightness</p> <p>Adjust brightness level manually between 0 and 255.</p>
IMAGE	Brightness	+																																			
SETTING	Contrast	125																																			
SYSTEM	Saturation	-																																			
	Preview Mode																																				
	Effect																																				
	Mirror																																				
	Exposure Setup																																				
	Manual Exposure																																				
	White Balance Setup																																				
	Manual W.B Blue																																				
	Manual W.B Red																																				
	Focus																																				
<table border="1"> <tr> <td>IMAGE</td> <td>Brightness</td> <td>+</td> </tr> <tr> <td>SETTING</td> <td>Contrast</td> <td>128</td> </tr> <tr> <td>SYSTEM</td> <td>Saturation</td> <td>-</td> </tr> <tr> <td></td> <td>Preview Mode</td> <td></td> </tr> <tr> <td></td> <td>Effect</td> <td></td> </tr> <tr> <td></td> <td>Mirror</td> <td></td> </tr> <tr> <td></td> <td>Exposure Setup</td> <td></td> </tr> <tr> <td></td> <td>Manual Exposure</td> <td></td> </tr> <tr> <td></td> <td>White Balance Setup</td> <td></td> </tr> <tr> <td></td> <td>Manual W.B Blue</td> <td></td> </tr> <tr> <td></td> <td>Manual W.B Red</td> <td></td> </tr> <tr> <td></td> <td>Focus</td> <td></td> </tr> </table>	IMAGE	Brightness	+	SETTING	Contrast	128	SYSTEM	Saturation	-		Preview Mode			Effect			Mirror			Exposure Setup			Manual Exposure			White Balance Setup			Manual W.B Blue			Manual W.B Red			Focus		<p>Contrast</p> <p>Adjust the contrast level manually between 0 and 255 under bright and dark environments.</p>
IMAGE	Brightness	+																																			
SETTING	Contrast	128																																			
SYSTEM	Saturation	-																																			
	Preview Mode																																				
	Effect																																				
	Mirror																																				
	Exposure Setup																																				
	Manual Exposure																																				
	White Balance Setup																																				
	Manual W.B Blue																																				
	Manual W.B Red																																				
	Focus																																				
<table border="1"> <tr> <td>IMAGE</td> <td>Brightness</td> <td>+</td> </tr> <tr> <td>SETTING</td> <td>Contrast</td> <td>128</td> </tr> <tr> <td>SYSTEM</td> <td>Saturation</td> <td>-</td> </tr> <tr> <td></td> <td>Preview Mode</td> <td></td> </tr> <tr> <td></td> <td>Effect</td> <td></td> </tr> <tr> <td></td> <td>Mirror</td> <td></td> </tr> <tr> <td></td> <td>Exposure Setup</td> <td></td> </tr> <tr> <td></td> <td>Manual Exposure</td> <td></td> </tr> <tr> <td></td> <td>White Balance Setup</td> <td></td> </tr> <tr> <td></td> <td>Manual W.B Blue</td> <td></td> </tr> <tr> <td></td> <td>Manual W.B Red</td> <td></td> </tr> <tr> <td></td> <td>Focus</td> <td></td> </tr> </table>	IMAGE	Brightness	+	SETTING	Contrast	128	SYSTEM	Saturation	-		Preview Mode			Effect			Mirror			Exposure Setup			Manual Exposure			White Balance Setup			Manual W.B Blue			Manual W.B Red			Focus		<p>Saturation</p> <p>Adjust the saturation level manually between 0 and 255.</p>
IMAGE	Brightness	+																																			
SETTING	Contrast	128																																			
SYSTEM	Saturation	-																																			
	Preview Mode																																				
	Effect																																				
	Mirror																																				
	Exposure Setup																																				
	Manual Exposure																																				
	White Balance Setup																																				
	Manual W.B Blue																																				
	Manual W.B Red																																				
	Focus																																				

Menu Screen



Function

Preview Mode

Select from the various image display settings.

Normal - adjust the gradient of image.

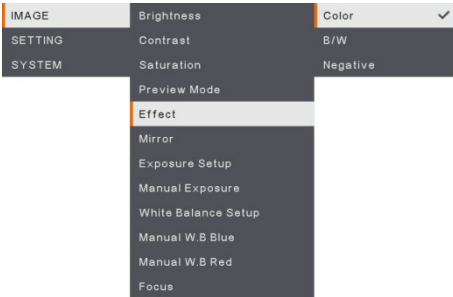
Motion – high refresh rate upon a motion image.

High Quality - high resolution with the best quality.

Microscope - automatically adjust optical zoom for microscopic viewing.

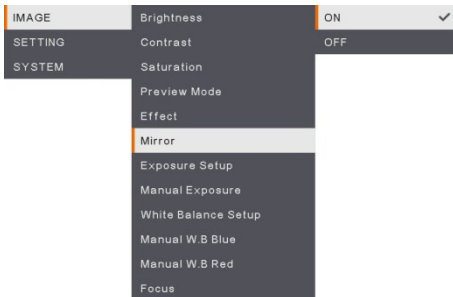
Macro – use for a closer image.

Infinity – use for a farther image.



Effect

Convert the image into positive (true color), monochrome (black and white) or negative.



Mirror

Select to flip left and right of the image.

Menu Screen

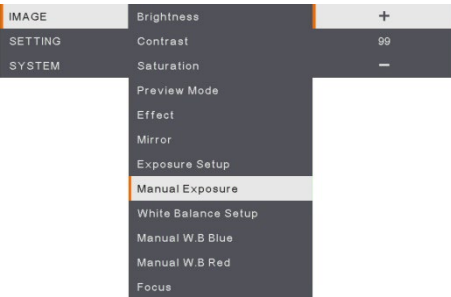


Function

Exposure Setup

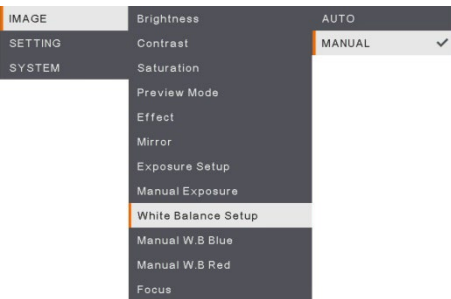
Select AUTO to automatically adjust the white balance and exposure setting and correct the color and exposure compensation.

Select MANUAL to enable advanced settings for manual exposure and WB.



Manual Exposure

MANUAL - manually adjust the exposure level. The exposure can be adjusted between 0 and 99.

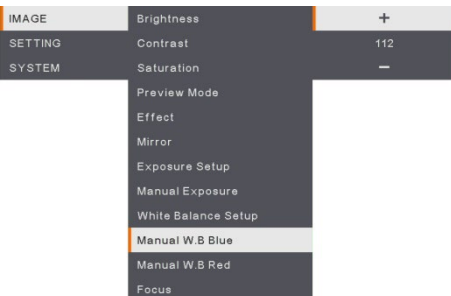


White Balance Setup

Select the White Balance setting for various light conditions or color temperature.

AUTO - automatically adjust the white balance.

MANUAL - manually adjust the color level. Select Manual to enable advanced WB setup.



Manual WB Blue

Manually adjust the blue color level. The color level can be adjusted up to 255.

Menu Screen

IMAGE	Brightness	+
SETTING	Contrast	113
SYSTEM	Saturation	-
	Preview Mode	
	Effect	
	Mirror	
	Exposure Setup	
	Manual Exposure	
	White Balance Setup	
	Manual W.B Blue	
	Manual W.B Red	
	Focus	

Function

Manual WB Red

Manually adjust the red color level. The color level can be adjusted up to 255.

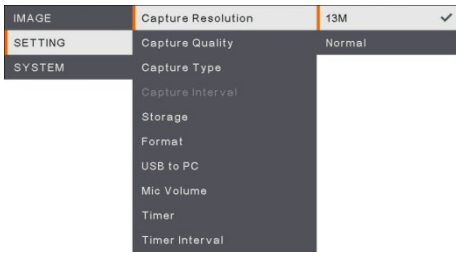
IMAGE	Brightness	+
SETTING	Contrast	101
SYSTEM	Saturation	-
	Preview Mode	
	Effect	
	Mirror	
	Exposure Setup	
	Manual Exposure	
	White Balance Setup	
	Manual W.B Blue	
	Manual W.B Red	
	Focus	

Focus

Manually fine-tune the image.

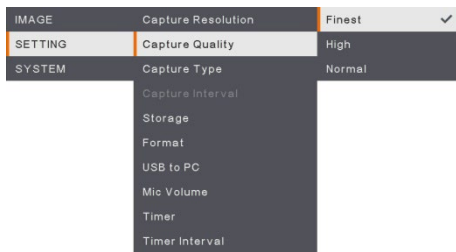
Setting

Menu Screen	Function
-------------	----------



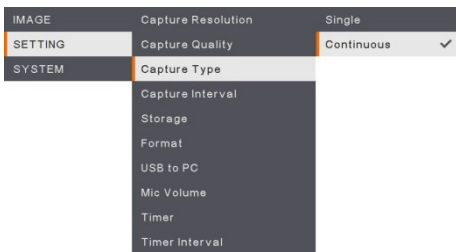
Capture Resolution

Select the capture size. In **13M** setting, the capture resolution size is 4208 x 3120. Select **Normal**, the capture size is based on the resolution settings.



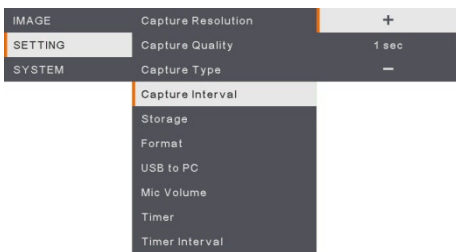
Capture Quality

Select the capture compression setting. Select the **Finest** to get the best quality capture compression.



Capture Type

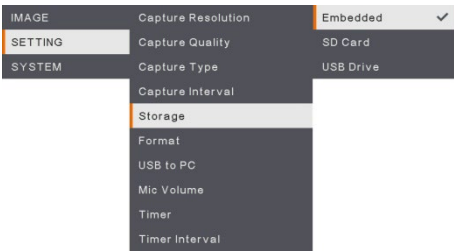
Select the capture type. **Single** - capture one image only. **Continuous** - capture successive images and press any key to stop continuous capture. Select **Continuous** to enable **Capture Interval** setting.



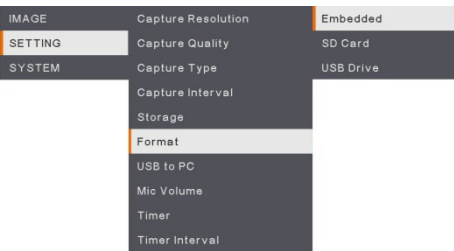
Capture Interval

Set the time interval for continuous capture. The length can be set up to 600 sec (10 min).

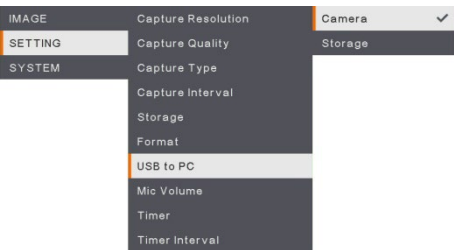
Menu Screen	Function
-------------	----------



Storage
 Change the storage location. Audio & video recording can only be saved in build-in memory, SD Card or USB Drive.

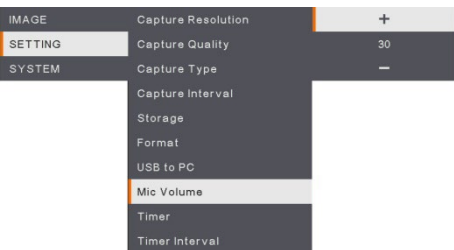


Format
 Format to delete all the data in the selected memory.



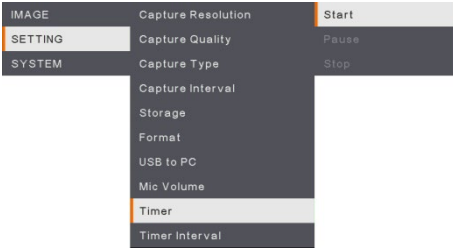
USB to PC
 Select status of the AVerVision M90UHD when it is connected to the computer via USB cable.

Camera - can be used as a computer webcam or with our bundled software to record video and capture still image.
Storage - transfer the captured pictures/videos from the memory to computer hard disk.



MIC Volume
 Adjust volume input of recording or USB audio input.

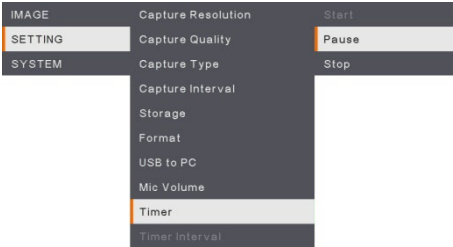
Menu Screen



Function

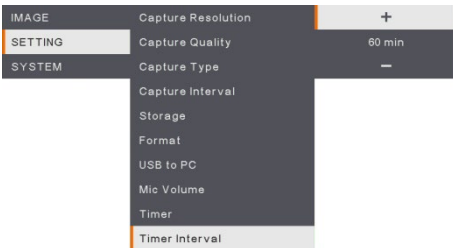
Start Timer

Start the timer. The timer automatically counts up after the countdown reaches zero to show the elapsed time.



Pause/Stop Timer

Press Menu button during timing to pause or stop timing.



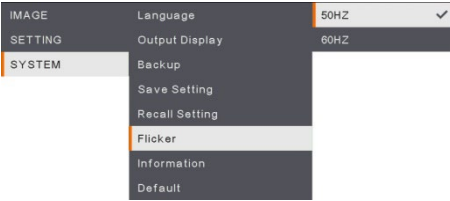
Timer Interval

Set the timer duration up to 2 hours.

System

Menu Screen	Function
	Language Change and select a different language. M90UHD supports up to 12 languages.
	Output Display Set the resolution to display the image on screen. The output device resolution detected automatically and configured to the highest resolution.
	Backup Copy the image from the built-in memory to SD card or USB flash drive.
	Save Setting Save current settings (Brightness, contrast, saturation, preview mode and etc.) in the selected profile number.
	Recall Setting Restore the setting back to the selected profile number.

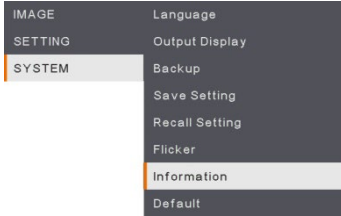
Menu Screen



Function

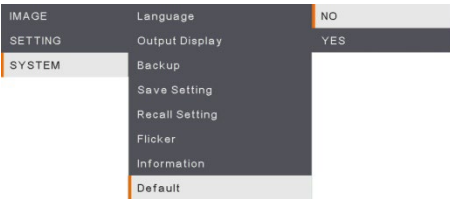
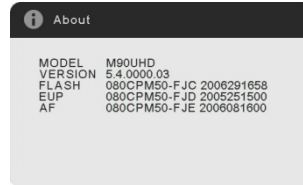
Flicker

Select between 50Hz or 60Hz. Some display devices cannot handle high refresh rates. The image will flicker a couple of times as the output is switched to another refresh rate.



Information

Display the product information.

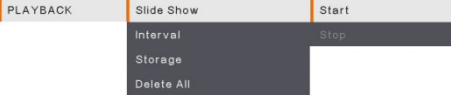
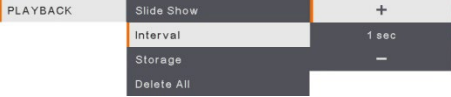

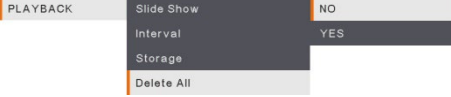


Default

Restore all the settings into original factory default setting. All saving configurations will be deleted.

Playback

You can use the playback feature to configure the saved images or videos.

Menu Screen		Function
	Slide Show	Slide Show Start or Stop the Slide Show.
	Interval	Interval Set the interval between playing images or videos.
	Storage	Storage Choose the images or videos from Storage, including Embedded, SD Card or USB Drive.
	Delete All	Delete All Select this option to delete all saved images or videos.

Transfer Captured Images/Videos to a computer

This enables you to transfer the captured image from the built-in memory, SD or USB drive to a computer.

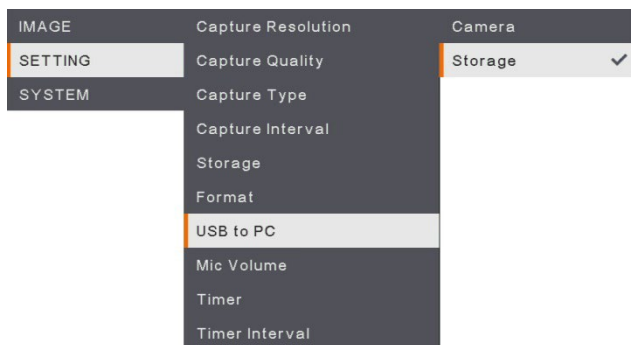
Two ways to save images/videos:

- a. Built-in memory+SD card
- b. Built-in memory+USB drive



The instruction below **MUST** be read and followed **BEFORE** connecting the USB cable.

1. **MUST** set the USB to PC as STORAGE before connecting the USB cable.



2. When “**Mass Storage**” appears at the lower right corner of the presentation screen, you may now connect the USB cable.
3. Upon connecting the USB cable, the system automatically detects the new removable disk. You can now transfer the captured image(s) or videos from the **M90UHD built-in memory, SD card or USB drive** to the computer hard disk.

Technical Specifications

Image

Sensor	1/3.06" CMOS
Pixel Count	13 megapixels
Frame Rate	60 fps (max.)
White Balance	Auto/Manual
Exposure	Auto/Manual
Image mode	Normal, High Frame, High Quality, Microscope, Infinity, Marco
Effect	Color/B/W/Negative
RGB output	1280×720, 1024×768, 1080P
HDMI Output	4K, 1080p, 720p
Image Capture	200 Frames

Optics

Focusing	Auto/Manual
Shooting Area	420 x 315mm
Zooming	Total Zoom 322x zoom (14x optical zoom + 23x digital zoom)

Power

Power Source	DC 5V/3A, AC 100-240V, 50-60Hz
Consumption	10 Watts(lamp on); 9 Watts(lamp off)

Lighting

Lamp Type	LED light
-----------	-----------

Input / Output

HDMI Input	YES (HDMI, pass through)
HDMI Output	YES (HDMI, pass through)
VGA Input	YES (15-pins D-sub, pass through)
VGA Output	YES (15-pins D-sub, pass through)
USB-A Port	1 (Type A for USB flash drive)
USB-B Port	1 Mini-B Receptacle
MIC	Built-in
SD Card Slot	1 (micro SD card, 32GB)
Line Out	Phone Jack
Microphone	MIC in
DC 5V Input	Power Jack
Kensington Lock	YES
*RS 232(Optional)	Mini-DIN Jack (Use RS 232 Adapter Cable_optional)

Dimension

Operating	481.3mm(L) x 159mm(W) x 469.9mm(H)
Folded	319.0mm(L) x 176mm(W) x 112mm(H)
Weight	2.2 +/-0.5Kg (about 5.732 lbs)

External Storage

Micro SD Card	Max 32GB (FAT32)
USB Flash Drive	Max 32GB (FAT32)

**please note that this specification depends on certain order.*

Troubleshooting

This section provides many useful tips on how to solve common problems while using the AVerVision M90UHD.

There is no picture on the presentation screen.

1. Check all the connectors again as shown in this manual.
2. Verify the setting of the display output device.
3. If you are presenting from a notebook or computer through the display output device, check the cable connection from computer RGB (VGA) output to RGB input of AVerVision M90UHD and make sure AVerVision M90UHD is in PC Mode.
4. For HDMI display output, a delay occurs while waiting for both the display device and M90UHD to sync up. Wait for around 4 to 7 seconds until you see the camera image on the screen.

The picture on the presentation screen is distorted or the image is blurry.

1. Reset all changed settings, if any, to the original manufacturer default setting. Press **DEFAULT** on the remote or select Default in Basic tab OSD menu.
2. Use the Brightness and Contrast menu functions to reduce the distortion if applicable.
3. If you discover that the image is blurry or out of focus, press the Auto Focus button on the control panel or remote control.

There is no computer signal on presentation screen.

1. Check all the cable connections among the display device, AVerVision M90UHD and your PC.
2. Connect your PC to the AVerVision M90UHD first before you power on your computer.
3. For notebook, repeatedly press FN+F5 to toggles between display modes and display the computer image on the presentation screen. For different command, please refer to your laptop manual.

The presentation screen does not show the exact desktop image on my PC or Notebook after I toggle from Camera to PC mode.

1. Return to your PC or Notebook, place the mouse on the desktop and right click, choose "Properties", choose "Setting" tab, click on "2" monitor and check the box "Extend my Windows desktop onto this monitor".
2. Then go back one more time to your PC or Notebook and place the mouse on the desktop and right click again.
3. This time choose "Graphics Options", then "Output To", then "Intel® Dual Display Clone", and then choose "Monitor + Notebook".
4. After you follow these steps, you should be able to see the same desktop image on your PC or Notebook as well as on the presentation screen.

AVerVision M90UHD can't detect the inserted USB flash drive.

Make sure the USB flash drive is properly inserted and in correct format. Only FAT32 is supported.

Limited Warranty

For a period of time beginning on the date of purchase of the applicable product and extending as set forth in the **“Warranty Period of AVer Product Purchased”** section of the warranty card, AVer Information, Inc. (“AVer”) warrants that the applicable product (“Product”) substantially conforms to AVer’s documentation for the product and that its manufacture and components are free of defects in material and workmanship under normal use. “You” as used in this agreement means you individually or the business entity on whose behalf you use or install the product, as applicable. This limited warranty extends only to You as the original purchaser. Except for the foregoing, the Product is provided “AS IS.” In no event does AVer warrant that You will be able to operate the Product without problems or interruptions, or that the Product is suitable for your purposes. Your exclusive remedy and the entire liability of AVer under this paragraph shall be, at AVer’s option, the repair or replacement of the Product with the same or a comparable product. This warranty does not apply to (a) any Product on which the serial number has been defaced, modified, or removed, or (b) cartons, cases, batteries, cabinets, tapes, or accessories used with this product. This warranty does not apply to any Product that has suffered damage, deterioration or malfunction due to (a) accident, abuse, misuse, neglect, fire, water, lightning, or other acts of nature, commercial or industrial use, unauthorized product modification or failure to follow instructions included with the Product, (b) misapplication of service by someone other than the manufacturer’s representative, (c) any shipment damages (such claims must be made with the carrier), or (d) any other causes that do not relate to a Product defect. The Warranty Period of any repaired or replaced Product shall be the longer of (a) the original Warranty Period or (b) thirty (30) days from the date of delivery of the repaired or replaced product.

Limitations of Warranty

AVer makes no warranties to any third party. You are responsible for all claims, damages, settlements, expenses, and attorneys’ fees with respect to claims made against You as a result of Your use or misuse of the Product. This warranty applies only if the Product is installed, operated, maintained, and used in accordance with AVer specifications. Specifically, the warranties do not extend to any failure caused by (i) accident, unusual physical, electrical, or electromagnetic stress, neglect or misuse, (ii) fluctuations in electrical power beyond AVer specifications, (iii) use of the Product with any accessories or options not furnished by AVer or its authorized agents, or (iv) installation, alteration, or repair of the Product by anyone other than AVer or its authorized agents.

Disclaimer of Warranty

EXCEPT AS EXPRESSLY PROVIDED OTHERWISE HEREIN AND TO THE MAXIMUM EXTENT PERMITTED BY APPLICABLE LAW, AVER DISCLAIMS ALL OTHER WARRANTIES WITH RESPECT TO THE PRODUCT, WHETHER EXPRESS, IMPLIED, STATUTORY OR OTHERWISE, INCLUDING WITHOUT LIMITATION, SATISFACTORY QUALITY, COURSE OF DEALING, TRADE USAGE OR PRACTICE OR THE IMPLIED WARRANTIES OF MERCHANTABILITY, FITNESS FOR A PARTICULAR PURPOSE OR NONINFRINGEMENT OF THIRD PARTY RIGHTS.

Limitation of Liability

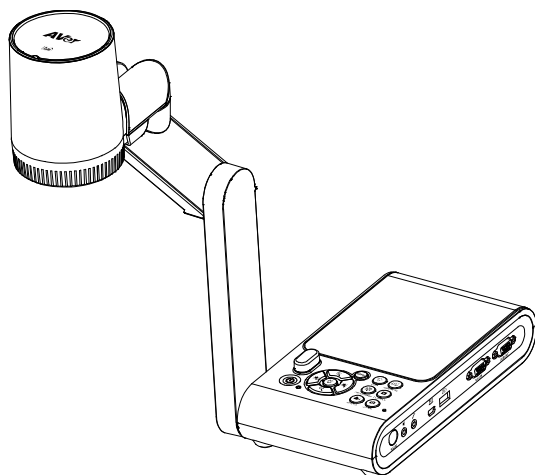
IN NO EVENT SHALL AVER BE LIABLE FOR INDIRECT, INCIDENTAL, SPECIAL, EXEMPLARY, PUNITIVE, OR CONSEQUENTIAL DAMAGES OF ANY NATURE INCLUDING, BUT NOT LIMITED TO, LOSS OF PROFITS, DATA, REVENUE, PRODUCTION, OR USE, BUSINESS INTERRUPTION, OR PROCUREMENT OF SUBSTITUTE GOODS OR SERVICES ARISING OUT OF OR IN CONNECTION WITH THIS LIMITED WARRANTY, OR THE USE OR PERFORMANCE OF ANY PRODUCT, WHETHER BASED ON CONTRACT OR TORT, INCLUDING NEGLIGENCE, OR ANY OTHER LEGAL THEORY, EVEN IF AVER HAS ADVISED OF THE POSSIBILITY OF SUCH DAMAGES. AVER’S TOTAL, AGGREGATE LIABILITY FOR DAMAGES OF ANY NATURE, REGARDLESS OF FORM OF ACTION, SHALL IN NO EVENT EXCEED THE AMOUNT PAID BY YOU TO AVER FOR THE SPECIFIC PRODUCT UPON WHICH LIABILITY IS BASED.

Governing Law and Your Rights

This warranty gives you specific legal rights; You may also have other rights granted under state law. These rights vary from state to state.



For warranty period, please refer to the warranty card.



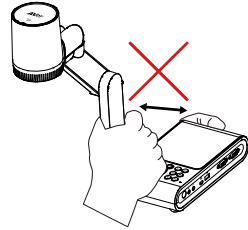
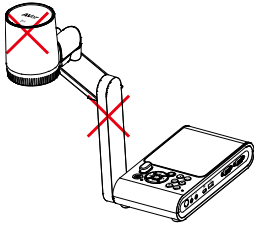
AVer M90UHD

使用手冊

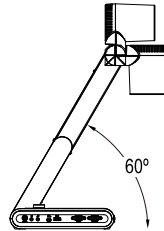
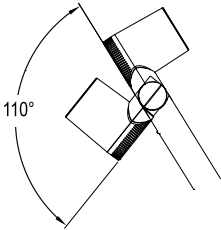


警告

- 為降低起火或觸電的風險，請勿將本產品暴露在雨中或潮濕處。如果對產品進行未經授權的修改，將導致保固失效。
- 請勿摔落相機，或使相機受到碰撞衝擊。
- 請使用正確的電源電壓，以免損壞相機。
- 請勿將電源線放在會遭人踩踏之處，否則恐導致電源線或是插頭磨損或損壞。
- 移動相機時，請用雙手握住相機底端，請勿抓住鏡頭或是伸縮臂。
- 請勿以相反方向拉扯機械手臂和相機。



- 請勿將鏡頭移動超過 110° ，以避免磨損。
- 機械手臂使用角度勿低於 60° ，以免磨損鏡頭。



若產品上標有打叉記號的滾輪垃圾桶，表示不得將產品與其他家用垃圾一同丟棄。請將廢棄的設備交由指定之廢電機電子設備回收站處理。關於處理廢棄設備之詳細資訊，請洽當地的家庭垃圾處理服務處或您購買產品的商家。

警告

為避免電磁干擾，本產品不應安裝或使用於住宅環境。

限用物質含有情況標示資訊參考下列網址：<https://tw.aver.com/page/RoHS>

遙控器電池安全資訊

- 請將電池存放在涼爽與乾燥的位置。
- 不要將電量用盡的電池棄置在家庭廢棄物中。請將電池棄置在特定回收處，或送回原購買的商店。
- 如果長時間不使用電池，請將其取出。電池漏液與腐蝕可能會損壞遙控器，請以安全方式棄置電池。
- 不可混用新舊電池。
- 不可混用不同類型的電池：鹼性、標準（碳鋅）或可充電（鎳鎘）電池。
- 不可將電池棄置於火源中。
- 請勿嘗試讓電池端子短路。

免責聲明

對於產品品質、效能、適銷性或特定用途之適用性，本文件內容皆不代表任何明示或暗示保固或陳述。本文資訊經過仔細詳查，內容可靠無誤；雖然如此，若有任何錯誤，恕不負責。本文所含資訊如有變更，恕不另行通知。

若因使用或不當使用本產品或本文，導致任何直接、間接、特殊、意外或後續損害，即使本公司已事先告知此類損害之可能性，亦不負任何賠償責任。

商標

AVer 為圓展科技股份有限公司之商標。AVerVision 為圓展科技股份有限公司之商標。因本內容之描述出現的商標分屬個別公司所有且均受智慧財產權相關法令保護。本文內所有提及之產品或企業名稱僅供識別與說明用途，且為各自擁有者之商標或註冊商標。

著作權

©2023 圓展科技 版權所有 | 2023 年 8 月 9 日

本內容相關權利係圓展科技股份有限公司所有，任何人未得事先書面同意不得就本內容為一部或全部之重製、改作、或任何型式之散布行為。圓展科技股份有限公司保留變更產品規格及內容的權利無須另為通知。

支援服務

軟體和使用者手冊下載，請到下面網址：

<https://www.aver.com/download-center>

常見問題、技術支援，請到下面網址：

<https://www.aver.com/technical-support>



連絡資訊

圓展科技股份有限公司

<https://www.aver.com>

新北市 23673 土城區大安路 157 號 8 樓

電話：(02)2269-8535

目錄

包裝內容物	1
選購配件	1
AVer M90UHD 零件介紹	1
右側面板	3
左側面板	4
後端面板	4
控制面板	5
遙控器	7
設備連接	9
電源連接	9
以 USB 傳輸線連接電腦	10
連接 VGA/HDMI 介面的顯示器或 LCD/DLP 投影機	11
以 VGA/HDMI 埠連接電腦	12
連接多媒體喇叭	14
連接外部麥克風	14
連接顯微鏡	15
設定 AVer M90UHD	17
儲存和處理	17
攝影範圍	18
頂燈	20
紅外線感應器	21
如何將 M90UHD 固定安裝在平面上	21
防眩光片	22
外部記憶體儲存	22
插入 Micro SD 記憶卡	22
插入 USB 隨身碟	22
使用 RS-232 介面	23
RS-232 指令表	24

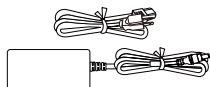
RS-232 取得指令表	28
OSD 選單	29
瀏覽選單和子選單	30
影像	30
明亮度	30
對比值	30
飽和度	31
預覽模式	31
效果	31
鏡射	32
曝光設定	32
手動曝光	32
手動白平衡藍	33
手動白平衡紅	33
對焦	33
設定	34
拍照解析度	34
拍照品質	34
儲存型態	34
拍照間隔	34
儲存	35
格式化	35
儲存至電腦	35
麥克風音量	35
計時器	36
暫停/停止計時器	36
計時器間隔	36
系統	37
語言	37
輸出顯示	37
備份	37
儲存設定	37

恢復設定	37
閃爍	38
資訊	38
預設	38
播放	39
幻燈片	39
間隔	39
儲存	39
刪除全部	39
將拍攝的圖片/影片傳送至電腦	40
技術規格.....	41
影像	41
光學	41
電源	41
光源	41
輸入/輸出	41
尺寸	42
外部儲存裝置	42
故障排除.....	43
有限保固.....	44

包裝內容物



M90UHD



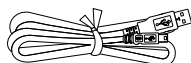
電源變壓器及電源線*



遙控器



AAA 電池 (x2)



USB 連接線



VGA 連接線



保固卡



快速安裝指南

*電源線規格會依購買產品時所在國家標準而異。

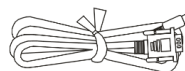
選購配件



提袋



防眩光保護膜



RS-232 連接線

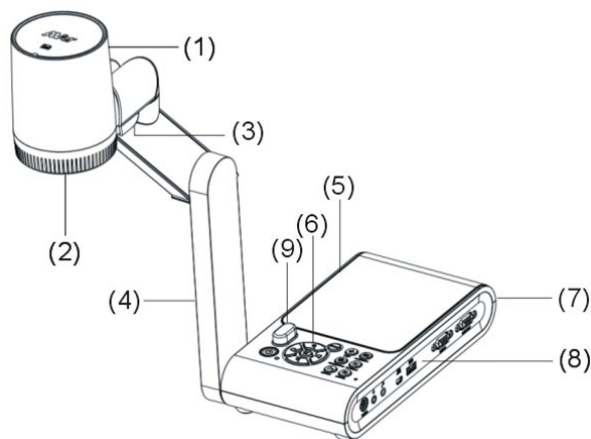


連接盤



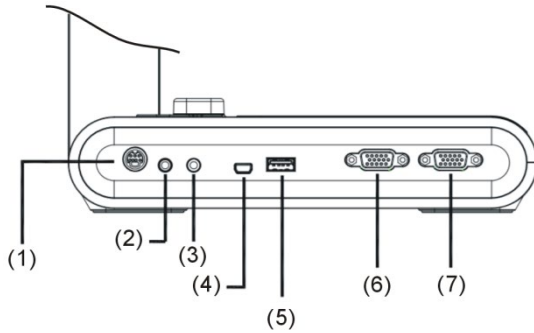
顯微鏡轉接頭
(包含 28mm 及 34mm 橡膠聯軸器)

AVer M90UHD零件介紹



名稱	功能
(1) 攝影機頭	含有攝影機感應器。
(2) 攝影機鏡頭	對準攝影機中的影像焦距。
(3) LED 燈	提升周圍照明亮度。
(4) 機械臂	可調整觀看範圍。
(5) 左側面板	Micro SD 記憶卡槽。
(6) 控制面板	輕鬆使用各種功能。
(7) 後端面板	連接電源、外接 HDMI 輸出/輸入顯示設備和防盜 Kensington 安全鎖的相容插槽。
(8) 右側面板	連接電腦、外接 VGA 輸出/輸入顯示設備和電腦 USB 埠、迷你 USB 埠、MIC 連接埠、音源連接埠及 RS-232 連接埠(選配，僅提供配備 RS-232 的 M90UHD 使用)。
(9) 紅外線感應器	接收遙控器指令。

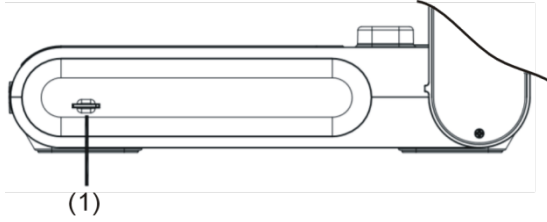
右側面板



名稱	功能
(1) RS-232 連接埠(選配)*	利用 RS-232 連接線(選購配件)連接此連接埠到電腦。請參考 使用 RS-232 介面 章節。
(2) 音源連接埠	連接多媒體喇叭以播放錄製的影音檔。
(3) MIC 連接埠	連接使用外部麥克風。
(4) 迷你 USB 埠	利用 USB 連接線連接至電腦 USB 埠，並將 AVer M90UHD 當做 USB 鏡頭或將記憶體來源之擷取影像/影片傳至電腦。
(5) USB 埠	插入 USB 隨身碟，將照片/影像直接存入。
(6) VGA 輸入埠	輸入電腦或其他來源之訊號，並傳至 VGA 輸出埠。本埠連接電腦的 VGA 輸出埠。
(7) VGA 輸出埠	使用 VGA 連接線將 AVer M90UHD 連接至任何顯示裝置。

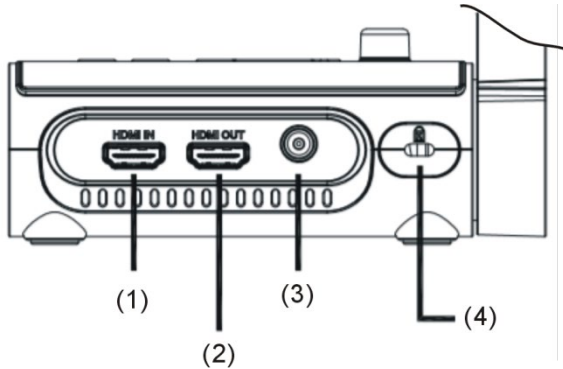
*僅提供配備 RS-232 的 M90UHD 使用。

左側面板



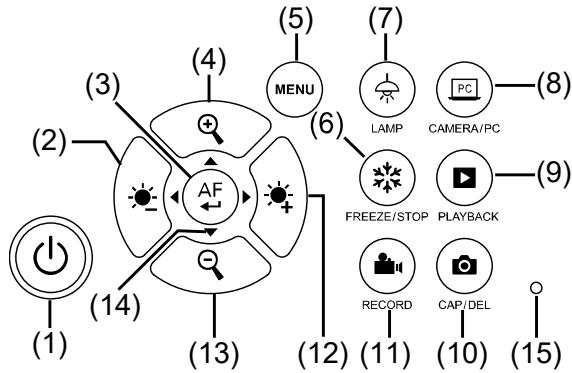
名稱	功能
(1) Micro SD 記憶卡插槽	插入 Micro SD 記憶卡，標籤朝上。Micro SD 記憶卡可以儲存擷取影像及影片。

後端面板






名稱	功能
(1) HDMI 輸入埠	連接其他 HDMI 設備來源之訊號輸入。本埠連接到電腦的 HDMI 輸出埠。
(2) HDMI 輸出埠	使用 HDMI 連接線，透過 HDMI 介面，將輸出的影片信號傳送到互動觸控螢幕、LCD 顯示器或投影機。
(3) DC 5V	將電源變壓器連接此連接埠。
(4) 防盜插槽	連接 Kensington 相容之安全鎖或防盜裝置。

控制面板

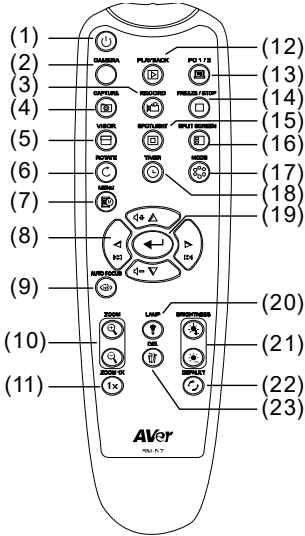


名稱	功能
(1) 電源	本機開機或待機。
(2) 	減少亮度。
(3) 	<ul style="list-style-type: none"> - 於播放模式與 OSD 選單中進行選取。 - 開始或暫停播放影片。 - 自動調整焦距。
(4) 	在攝影機和圖片播放模式中放大影像。
(5) MENU	開啟或離開 OSD 選單與子選單。
(6)  FREEZE/STOP	<ul style="list-style-type: none"> - 在攝影機模式中暫停或繼續顯示影像。 - 在播放模式中停止播放影音。
(7)  LAMP	開啟或關閉頂燈。
(8)  CAMERA / PC	透過 VGA 或 HDMI 輸入埠，可切換源自攝影機或電腦的影片訊號。
(9)  PLAYBACK	觀看和播放圖片和影片。
(10)  CAP/DEL	<ul style="list-style-type: none"> - 在攝影機模式中拍攝圖片。在連拍模式中，再按一次此按鍵即可停止拍攝。 - 在播放模式中刪除所選擇的圖片或影片。

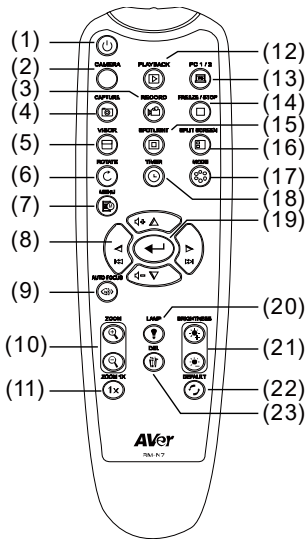
名稱	功能
(11)  RECORDING	開始或停止錄音和錄影。音檔或影片檔僅可存至SD卡或USB隨身碟(請參考 外部記憶體儲存 章節)。
(12) 	增加亮度。
(13) 	在攝影機和圖片播放模式中縮小影像。
(14) ▲, ▼, ◀, & ▶	<ul style="list-style-type: none"> - 在即時模式中，左右轉動並放大影像(上述數位變焦等級)。 - 在 OSD 選單中選擇選項。 - 使用 ▲或▼來調高或降低播放影片的音量。 - 使用◀或▶來倒轉或快轉播放影片。
(15) 內建麥克風	錄製影片時，並錄下聲音。該錄音為單音。




遙控器

遙控器需使用兩(2)顆 AAA 尺寸的電池(隨附)，使用前請確定已正確安裝電池。可以用遙控器使用 AVer M90UHD 的所有功能。



名稱	功能
(1) POWER	本機開機或待機。
(2) CAMERA	攝影機模式顯示內建攝影的影片訊號。
(3) RECORD	開始或停止錄音和錄影。錄製的影片只能儲存在 SD 記憶卡或 USB 隨身碟中。
(4) CAPTURE	在攝影機模式中拍攝靜態影像。在連拍模式中，再按一次此按鍵即可停止拍攝。
(5) VISOR	不支援此功能。
(6) ROTATE	在攝影機模式中將影像旋轉 0°或 180°。
(7) MENU	開啟與離開 OSD 選單。
(8) ▲ ▼ ◀ ▶	<ul style="list-style-type: none"> - 在即時模式中，左右轉動並放大影像(上述數位變焦等級)。 - 在 OSD 選單中選擇選項。 - 使用 ▲或▼鍵來調高或降低播放影片的音量。 - 使用◀或▶鍵來倒轉或快轉播放影片。。
(9) AUTO FOCUS	可自動調整焦距。
(10) ZOOM +/-	在攝影機和圖片播放模式中放大/縮小影像。
(11) ZOOM 1X	將縮放比例重設為 100%。
(12) PLAYBACK	觀看記憶體中拍攝的圖片/影片。
(13) PC 1/2	PC 模式顯示 M90UHD 的 VGA/HDMI 訊號輸入端的影片訊號。
(14) FREEZE / STOP	<ul style="list-style-type: none"> - 將正在播放的影像定格。 - 停止播放影片。
(15) SPOTLIGHT	不支援此功能。




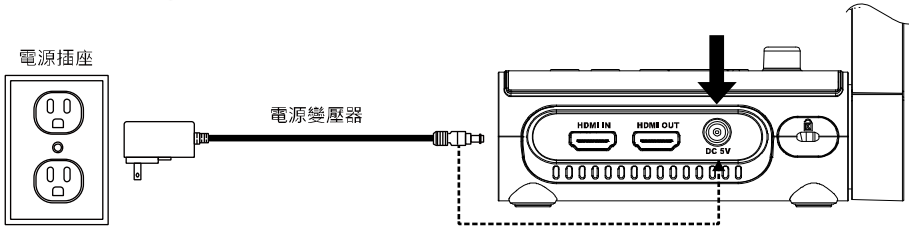
名稱	功能
(16) SPLIT SCREEN	不支援此功能。
(17) MODE	有六種模式可供選擇：一般、運動、高畫質、顯微鏡、微距及遠距。
TIMER	<p>呼叫計時器(Timer)子選單。選擇開始/暫停/停止倒數。</p>  <p>設定計時器間隔時間。</p> 
(18) 	<ul style="list-style-type: none"> - 於圖片播放模式與 OSD 選單中進行選取。 - 開始/暫停播放影片。
(19) LAMP	開啟/關閉頂燈。
(20) BRIGHTNESS +/-	調整亮度。
(21) DEFAULT	重設為出廠預設值。
(22) DEL	在播放模式中永久刪除所選擇的圖片/影片。

設備連接

接線前，請確定已關閉所有裝置的電源。如果不確定接線位置，只要依下圖所示來連接，並請參閱正要與 AVer M90UHD 連接的裝置的使用手冊。

電源連接

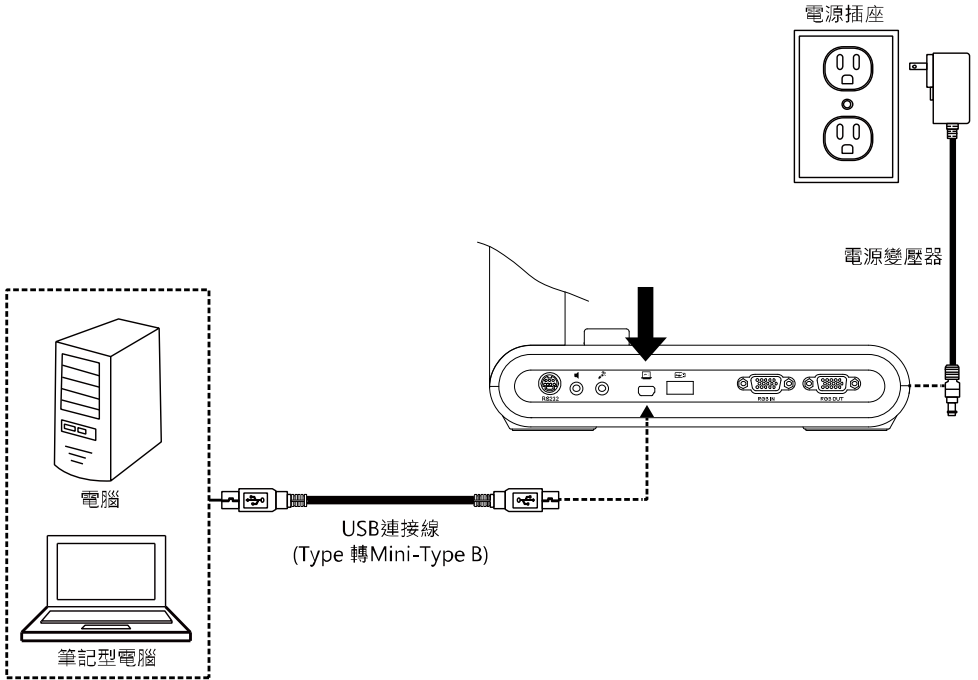
連接電源轉換器至標準 100V~240V AC 電源輸出孔。一旦接上電源後，本設備將會自動進入待機模式。按  開啟電源。



*電源插座類型視地區而異。

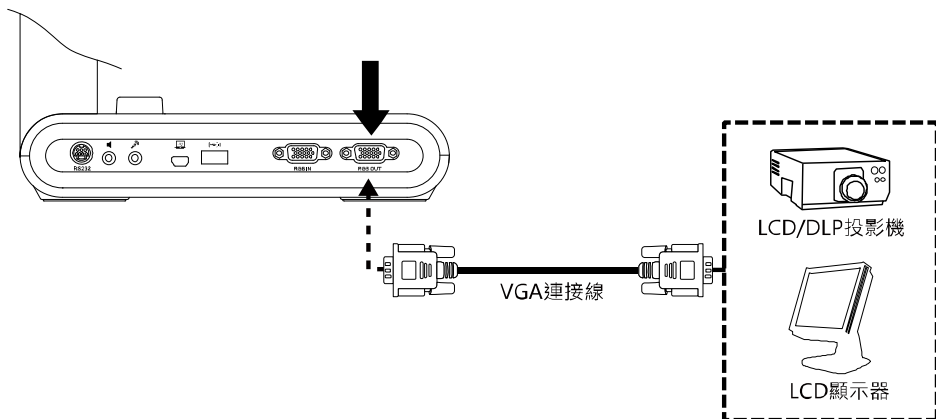
以 USB 傳輸線連接電腦

確認電腦或筆記型電腦的 USB 埠，並連至 AVer M90UHD 的 USB 埠。如此 M90UHD 可以用作 USB 相機，您可以在打開 Skype、Teams 和 Zoom 等軟體時將其選為相機。

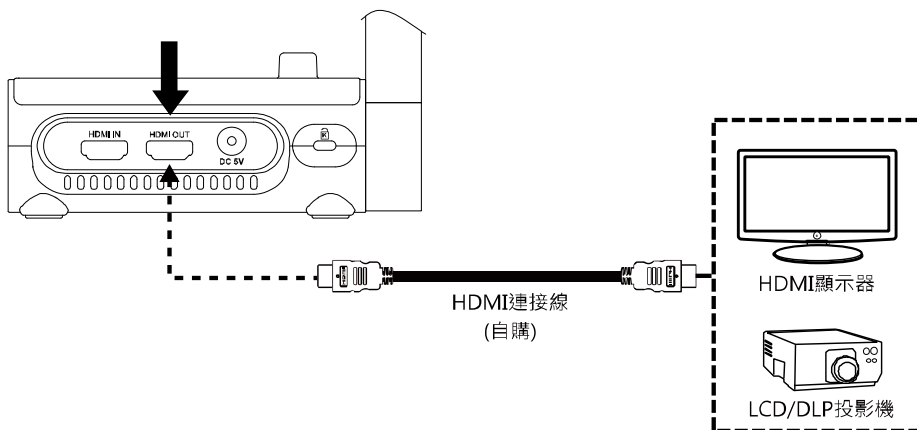


連接VGA/HDMI介面的顯示器或LCD/DLP投影機

找到裝置的VGA/HDMI埠，並連至 AVer M90UHD 的VGA/HDMI 輸出埠。



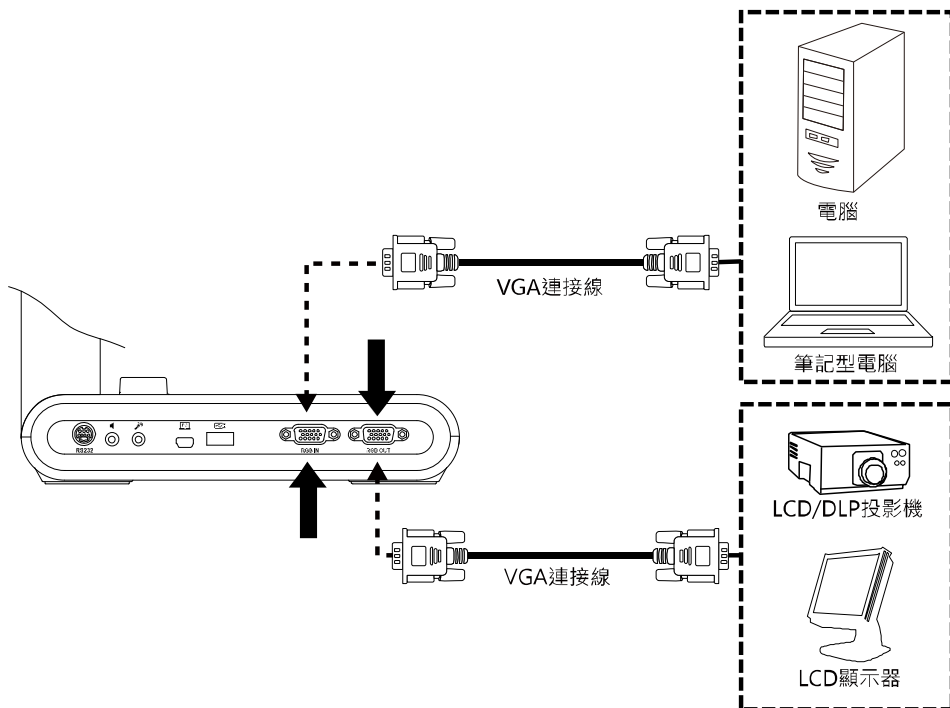
* 連接VGA



* 連接HDMI

以VGA/HDMI埠連接電腦

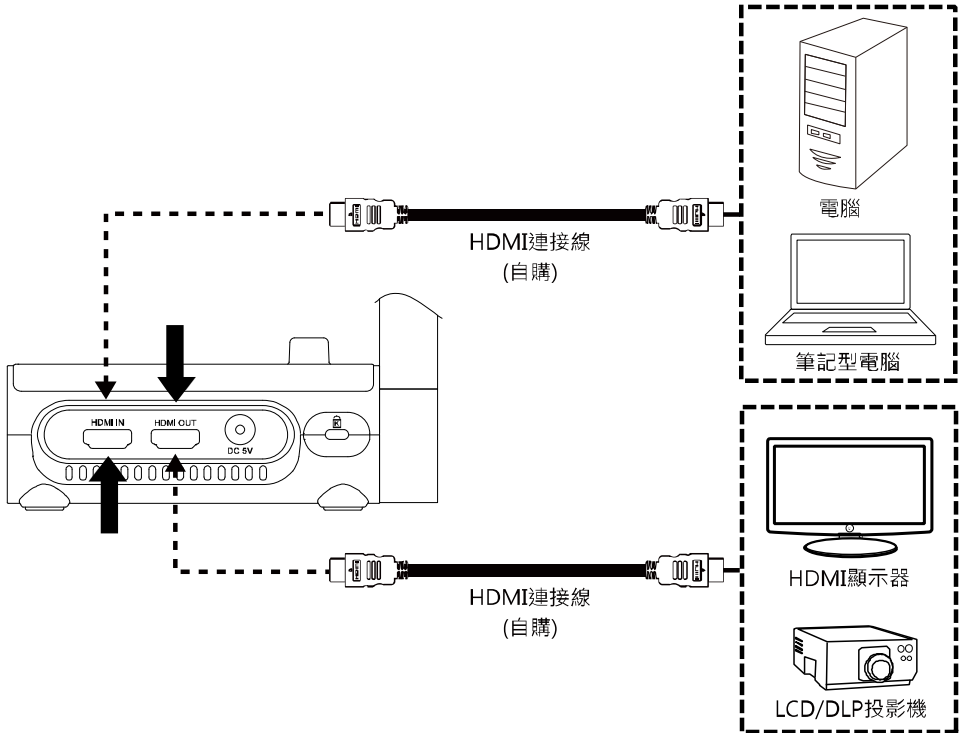
找到裝置的VGA/HDMI輸入埠，並連至 AVer M90UHD 的 VGA/HDMI 輸出埠。



找到電腦或筆記型電腦的VGA/HDMI輸出埠，並連至AVer M90UHD的VGA/HDMI輸入埠。
VGA/HDMI輸入埠的影片將匯至VGA/HDMI輸出埠。

[註]

- 若要顯示電腦影像，請按控制面板或遙控器上的「Camera/PC」鍵，將AVer M90UHD切換至電腦模式。
- 若要在筆記型電腦輸出顯示影像，請使用鍵盤指令(FN+F5)切換顯示模式。如需不同指令，請參閱筆記型電腦的手冊。

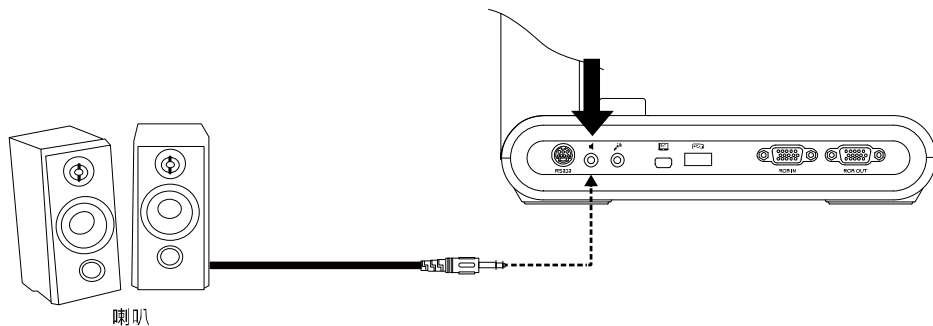


連接多媒體喇叭


使用 3.5mm 插頭並將多媒體喇叭插入  連接埠中。僅支援所播放影片的聲音。

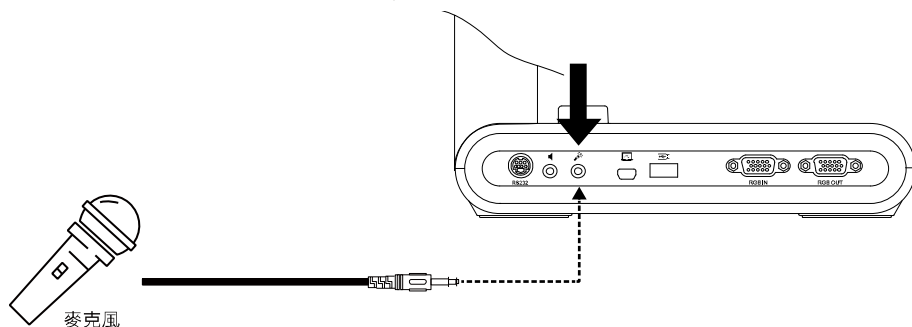
[註]

我們建議連接多媒體(主動式，需外接電源)喇叭到音源輸出連接埠。使用耳機時請小心，請透過遙控器的上下鍵來調整音量大小，以避免音量過大造成聽力受損。



連接外部麥克風


將 3.5mm 單音麥克風插入音源連接埠  中。



連接顯微鏡

將 AVer M90UHD 連接顯微鏡後，便可在大螢幕上檢驗顯微鏡物體。

1. 變更影像顯示模式為顯微鏡。按選單

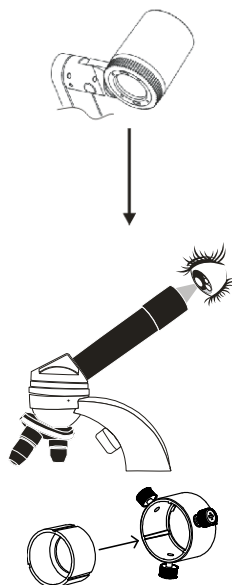
「MENU」> 影像 > 預覽模式 > 顯微鏡模式 並按  鍵確認。



2. 將鏡頭對準最遠點，再按下自動對焦 (AUTO FOCUS) 鍵。

3. 調整顯微鏡焦距。

4. 選擇聯軸器，其尺寸合於顯微鏡目鏡，並裝入顯微鏡轉接器內。

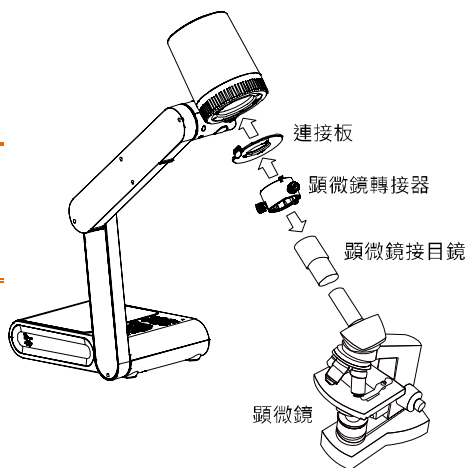


5. 將接目鏡自顯微鏡移除，並將裝有聯軸器的顯微鏡轉接器裝上。轉緊三個螺絲，確認接目鏡裝妥。

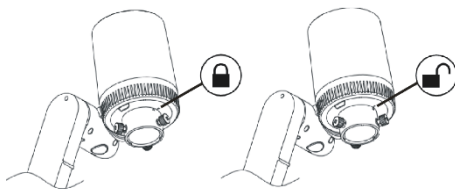


- 關於接目鏡，建議使用時視距(eye relief) 33mm 或以上。
- 手動調整來獲得最佳的物體影像。

6. 利用連接板，將顯微鏡轉接器裝至 AVer 的鏡頭上。接著連接 AVer 和顯微鏡。



請確定鏡頭和顯微鏡轉接器上的箭頭對齊，才進行安裝，接著往左旋轉後，兩個箭頭會分開，並確認鎖上。

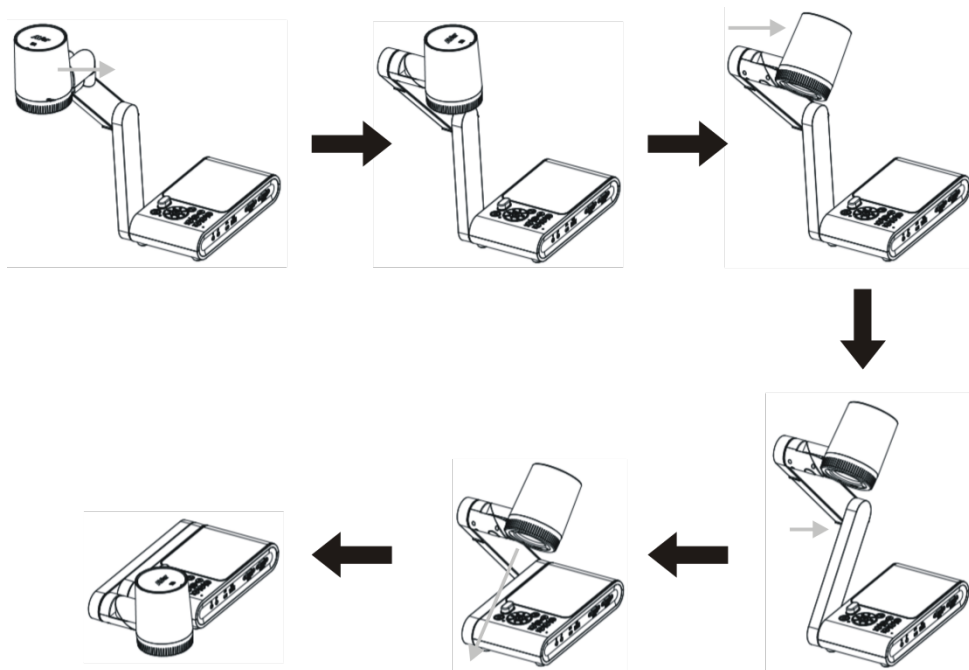


設定 AVer M90UHD

本章節將提供一些實用技巧，如何調整 AVer M90UHD 以便符合個人的使用需求。

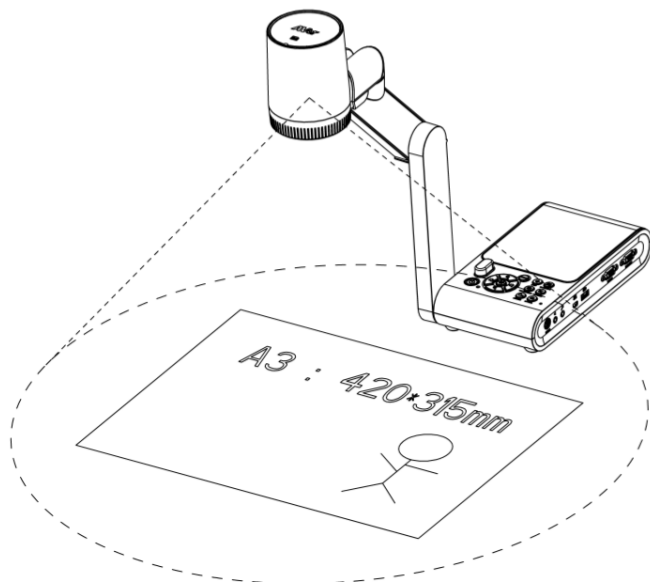
儲存和處理

請參照下圖收起 AVer M90UHD。

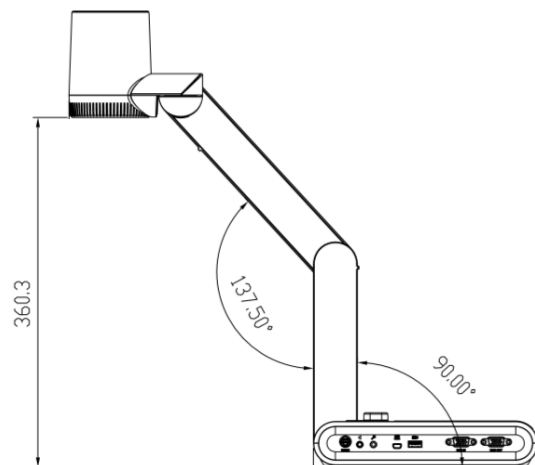


攝影範圍

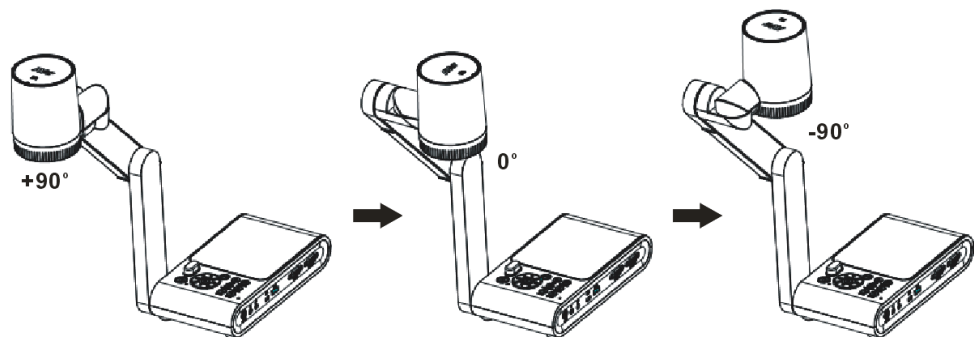
此拍攝區域在高畫質模式時可觀賞最大範圍在 420 x 315mm 內。



當鏡頭高度為 360.3mm 時，攝影範圍為 A3 尺寸。



如下圖所示，攝影機頭可 90° 旋轉。

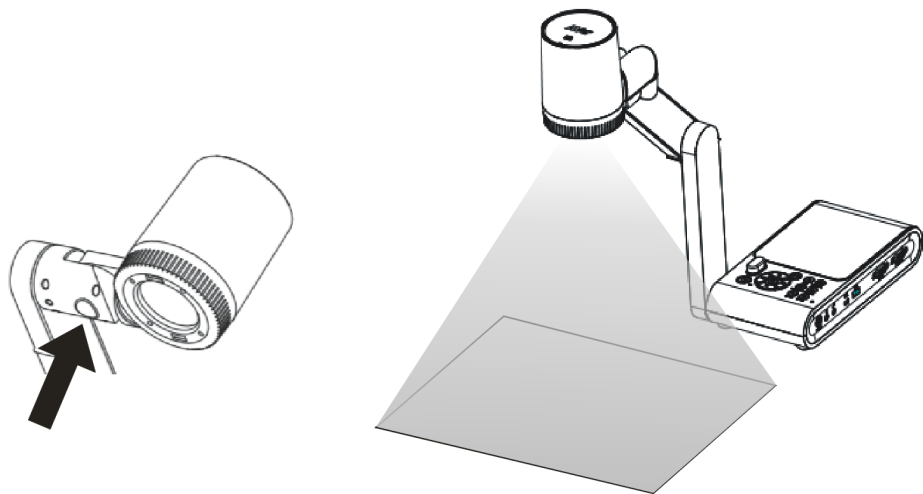


欲鏡射圖片時，按影像 > 鏡射 > 開啟。



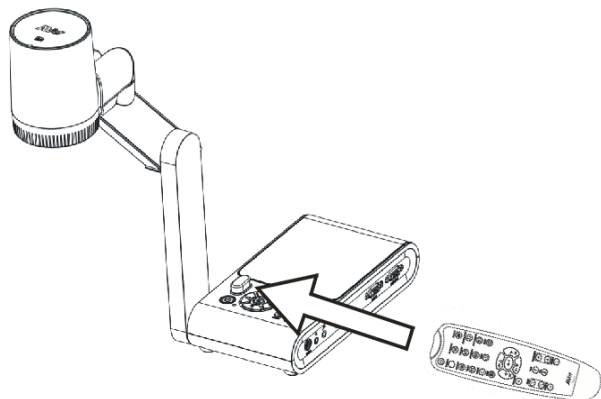
頂燈

按下面板上或遙控器上的「LAMP」鍵可開啟或關閉燈光。



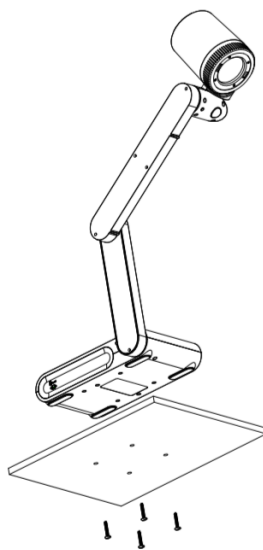
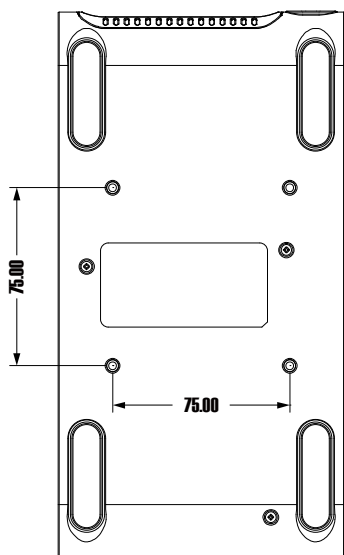
紅外線感應器

將遙控器對準紅外線感應器即可操作裝置。



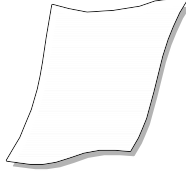
如何將 M90UHD 固定安裝在平面上

如下圖所示，M90UHD 底部周圍有 4 個固定孔，量好並做好標記，左右和上下兩個固定孔距離 75 mm。使用 2 個或 4 個 6mm 固定孔專用的 M4.0 螺絲釘，將 M90UHD 固定安裝在平坦表面上。



防眩光片

如果展示的文件或物體非常亮或光滑，例如雜誌及照片等，可用隨機附贈的防眩光片來調整燈光反射。放置時，請將粗糙面朝上放在光滑文件上，來減少反光。

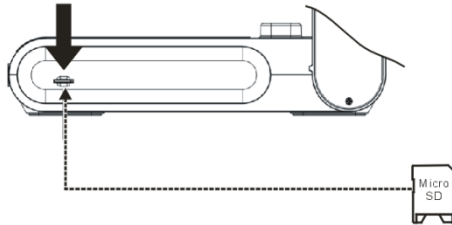


外部記憶體儲存

AVer M90UHD 支援 SD 記憶卡與 USB 隨身碟，可拍攝更多影像和錄製更多音訊與影片。有外部儲存裝置時，AVer M90UHD 可以偵測到，並自動切換至最後偵測到的儲存裝置。如果沒有連接任何外部儲存裝置，所有拍攝的靜態影像將儲存在內建的記憶體中。

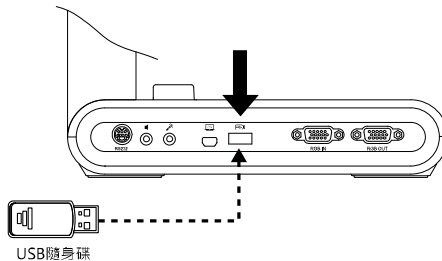
插入Micro SD記憶卡

將接觸端子朝下插入記憶卡，直到插到底為止。若要取出記憶卡，只要按下就可以退出，然後將記憶卡拔出。支援的 SD 記憶卡容量從 1GB 到 32GB (FAT32)。



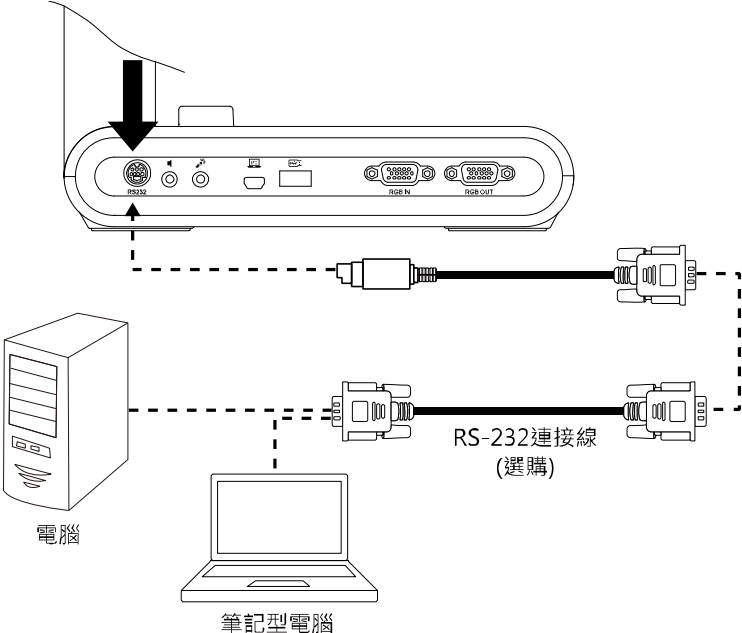
插入USB隨身碟

將 USB 隨身碟插入 USB 插槽。AVer M90UHD 支援高達 32GB 的 USB 隨身碟。強烈建議使用 AVer M90UHD 來格式化隨身碟，以確保錄影品質。



使用 RS-232 介面

使用電腦或任何中央控制面板透過 RS-232*可以控制 AVer M90UHD。



*選配，僅提供配備 RS-232 的 M90UHD 使用。

RS-232 指令表

傳送格式：0x52 + 0x0B + 0x03 + 資料[0] + 資料[1] + 資料[2] + 0x53 + 總和檢查^{*1}

接收格式：0x53 + 0x00 + 0x02 + *2 + 0x00 + 0x52 + Checksum^{*4}

非正常接收格式：0x53 + 0x00 + 0x01 + *3 + 0x52 + Checksum^{*5}

*1：總和檢查 = 0x0B xor 0x03 xor Data[0] xor Data[1] xor Data[2] xor 0x53

*2：接收成功確認指令：0x0B(成功指令) · 0x03(無效指令)

*3：非正常接收確認指令 0x01(類型失敗) · 0x02(總和檢查失敗) · 0x04 (無效指令)

*4：Checksum = 0x00 xor 0x02 xor *2 xor 0x00 xor 0x52

*5：Checksum = 0x00 xor 0x01 xor *3 xor 0x52

*6：待機狀態下電源關閉接收格式 = 0x51 + 0xFF + 0x01 + 0x0B + 0x51 + 0xA4

開機狀態下電源關閉接收格式 = No Data Return

*7：待機狀態下電源開啟接收格式 = 0x51 + 0x00 + 0x01 + 0x0B + 0x51 + 0x5B

開機狀態下電源關閉接收格式 = 0x53 + 0x00 + 0x02 + 0x0B + 0x00 + 0x52 + 0x5B

功能	資料[0]	資料[1]	資料[2]	總和檢查碼
POWER OFF ^{*6}	0x01	0x00	0x00	0x5a
POWER ON ^{*7}	0x01	0x01	0x00	0x5b
CAMERA MODE	0x02	0x00	0x00	0x59
PLAYBACK MODE	0x03	0x00	0x00	0x58
PC 1/2	0x04	0x00	0x00	0x5f
IMAGE CAPTURE TYPE: SINGLE	0x05	0x00	0x00	0x5e
IMAGE CAPTURE TYPE: CONTINUOUS	0x05	0x01	0x00	0x5f
CONT. CAPTURE INTERVAL +	0x06	0x00	0x00	0x5d
CONT. CAPTURE INTERVAL -	0x06	0x01	0x00	0x5c
IMAGE CAPTURE RESOLUTION: NORMAL	0x07	0x00	0x00	0x5c
IMAGE CAPTURE RESOLUTION: 13M	0x07	0x01	0x00	0x5d
TIMER START	0x08	0x00	0x00	0x53
TIMER PAUSE	0x08	0x01	0x00	0x52
TIMER STOP	0x08	0x02	0x00	0x51
TIMER SET TIME	0x08	0x03	Value[1 ~ 120]	*1
PREVIEW MODE: MOTION	0x0A	0x02	0x00	0x53
PREVIEW MODE: MICROSCOPE	0x0A	0x03	0x00	0x52
PREVIEW MODE: MACRO	0x0A	0x04	0x00	0x55

功能	資料[0]	資料[1]	資料[2]	總和檢查碼
PREVIEW MODE: INFINITE	0x0A	0x05	0x00	0x54
PREVIEW MODE: NORMAL	0x0A	0x06	0x00	0x57
PREVIEW MODE: HIGH QUALITY	0x0A	0x07	0x00	0x56
PREVIEW CAPTURE	0x0B	0x00	0x00	0x50
PLAYBACK DELETE	0x0C	0x00	0x00	0x57
PLAYBACK FULL SCREEN	0x0D	0x00	0x00	0x56
MIRROR OFF	0x0E	0x00	0x00	0x55
MIRROR ON	0x0E	0x01	0x00	0x54
ROTATE OFF	0x0F	0x00	0x00	0x54
ROTATE ON	0x0F	0x02	0x00	0x56
EFFECT: COLOR	0x10	0x00	0x00	0x4b
EFFECT: B/W	0x10	0x01	0x00	0x4a
EFFECT: NEGATIVE	0x10	0x02	0x00	0x49
CONTRAST INCREASE	0x11	0x00	0x00	0x4a
CONTRAST DECREASE	0x11	0x01	0x00	0x4b
CONTRAST VALUE	0x11	0x02	Value[1 ~ 255] *1	
BRIGHTNESS INCREASE	0x12	0x00	0x00	0x49
BRIGHTNESS DECREASE	0x12	0x01	0x00	0x48
BRIGHTNESS VALUE	0x12	0x02	Value[1 ~ 255] *1	
EXPOSURE: AUTO	0x13	0x00	0x00	0x48
EXPOSURE: MANUAL	0x13	0x01	0x00	0x49
EXPOSURE MANUAL INCREASE	0x14	0x00	0x00	0x4f
EXPOSURE MANUAL DECREASE	0x14	0x01	0x00	0x4e
WHITE BALANCE: AUTO	0x15	0x00	0x00	0x4e
WHITE BALANCE: MANUAL	0x15	0x01	0x00	0x4f
WHITE BALANCE BLUE INCREASE	0x16	0x00	0x00	0x4d
WHITE BALANCE BLUE DECREASE	0x16	0x01	0x00	0x4c
WHITE BALANCE RED INCREASE	0x17	0x00	0x00	0x4c
WHITE BALANCE RED DECREASE	0x17	0x01	0x00	0x4d
FLICKER: 50Hz	0x18	0x00	0x00	0x43

功能	資料[0]	資料[1]	資料[2]	總和檢查碼
FLICKER: 60Hz	0x18	0x01	0x00	0x42
RECORD: OFF	0x23	0x00	0x00	0x78
RECORD: ON	0x23	0x01	0x00	0x79
MOVIE FAST REWIND	0x25	0x00	0x00	0x7e
MOVIE FAST FORWARD	0x25	0x01	0x00	0x7f
MOVIE VOL INC	0x26	0x00	0x00	0x7d
MOVIE VOL DEC	0x26	0x01	0x00	0x7c
STORAGE: EMBEDDED	0x28	0x00	0x00	0x73
STORAGE: SD CARD	0x28	0x01	0x00	0x72
STORAGE: THUMB DRIVE	0x28	0x02	0x00	0x71
FORMAT: EMBEDDED	0x29	0x00	0x00	0x72
FORMAT: SD CARD	0x29	0x01	0x00	0x73
FORMAT: THUMB DRIVE	0x29	0x02	0x00	0x70
OUTPUT RESOLUTION: 1024x768	0x2F	0x01	0x00	0x75
OUTPUT RESOLUTION: 1280x720	0x2F	0x02	0x00	0x76
OUTPUT RESOLUTION: 1920x1080	0x2F	0x03	0x00	0x77
OUTPUT RESOLUTION: 3840x2160@30	0x2F	0x08	0x00	0x7c
OUTPUT RESOLUTION: 3840x2160@60	0x2F	0x09	0x00	0x7d
USB CONNECT: USB CAMERA	0x30	0x00	0x00	0x6b
USB CONNECT: MASS STORAGE	0x30	0x01	0x00	0x6a
BACKUP TO SD CARD	0x31	0x00	0x00	0x6a
BACKUP TO THUMBDRIVE	0x31	0x01	0x00	0x6b
PROFILE SAVE: PROFILE 1	0x32	0x00	0x00	0x69
PROFILE SAVE: PROFILE 2	0x32	0x01	0x00	0x68
PROFILE SAVE: PROFILE 3	0x32	0x02	0x00	0x6b
PROFILE RECALL: PROFILE 1	0x33	0x00	0x00	0x68
PROFILE RECALL: PROFILE 2	0x33	0x01	0x00	0x69
PROFILE RECALL: PROFILE 3	0x33	0x02	0x00	0x6a
SLIDESHOW: OFF	0x34	0x00	0x00	0x6f
SLIDESHOW: ON	0x34	0x01	0x00	0x6e

功能	資料[0]	資料[1]	資料[2]	總和檢查碼
CAPTURE QUALITY: NORMAL	0x37	0x00	0x00	0x6c
CAPTURE QUALITY: HIGH	0x37	0x01	0x00	0x6d
CAPTURE QUALITY: FINEST	0x37	0x02	0x00	0x6e
AUTO FOCUS	0x40	0x00	0x00	0x1b
MENU	0x41	0x00	0x00	0x1a
ARROW - DOWN	0x42	0x00	0x00	0x19
ARROW - UP	0x42	0x01	0x00	0x18
ARROW - LEFT	0x42	0x02	0x00	0x1b
ARROW - RIGHT	0x42	0x03	0x00	0x1a
ENTER	0x43	0x00	0x00	0x18
FREEZE/STOP	0x44	0x00	0x00	0x1f
DEFAULT	0x45	0x00	0x00	0x1e
ZOOM -	0x46	0x00	0x00	0x1d
ZOOM +	0x46	0x01	0x00	0x1c
ZOOM RESET	0x47	0x00	0x00	0x1c
FOCUS TO NEAR	0x48	0x00	0x00	0x13
FOCUS TO FAR	0x48	0x01	0x00	0x12
LAMP OFF	0x49	0x00	0x00	0x12
LAMP ON	0x49	0x01	0x00	0x13
SATURATION INCREASE	0x4B	0x00	0x00	0x10
SATURATION DECREASE	0x4B	0x01	0x00	0x11
SATURATION VALUE	0x4B	0x02	Value[1 ~ 255]	*1
MUTE OFF	0x4C	0x00	0x00	0x17
MUTE ON	0x4C	0x01	0x00	0x16

RS-232 取得指令表

傳送格式：0x52 + 0x0A + 0x01 + 資料[0] + 0x53 + 總和檢查

接收格式：0x53 + 0x0C + 0x01 + ReData[0] + 0x52 + ReChecksum^{*1}

*1 : ReChecksum = 0x0C xor 0x01 xor ReData[0] xor 0x52

*2 : Power Status Receive Data = 0x51 + 0xFF + 0x01 + 0x0A + 0x51 + 0xA5

功能	資料[0]	總和檢查碼	ReData[0]
Red Value	0x02	0x5A	Value[0 ~ 255]
Blue Value	0x03	0x5B	Value[0 ~ 255]
Power Status	0x04	0x5C	OFF [*2]
			1: ON
Lamp Status	0x05	0x5D	0: OFF 1: ON
Display Status	0x06	0x5E	0: Camera Mode
			1: Playback Mode
			2: PC-1 Pass Through
Freeze Status	0x08	0x50	0: OFF 1: ON
Brightness Value	0x0A	0x52	Value[1 ~ 64]
Contrast Value	0x0B	0x53	Value[1 ~ 32]
Saturation Value	0x0D	0x55	Value[1 ~ 32]

OSD 選單

OSD 選單上有 3 個索引標籤：影像、設定和系統。

影像	明亮度
設定	對比值
系統	飽和度
	預覽模式
	效果
	鏡射
	曝光設定
	手動曝光
	白平衡設定
	手動白平衡藍
	手動白平衡紅
	對焦

影像	拍照解析度
設定	拍照品質
系統	儲存型態
	拍照間隔
	儲存
	格式化
	儲存至電腦
	麥克風音量
	計時器
	計時器間隔

設定選單

影像選單

影像	語言
設定	輸出顯示
系統	備份
	儲存設定
	恢復設定
	閃爍
	資訊
	預設

系統選單

瀏覽選單和子選單

1. 按下遙控器或控制面板上的「MENU」鍵。
2. 按▶◀▲和▼可在選單上進行選取。
3. 按⏪確認選項。
4. 按▲和▼可調整設定或進行選取。
5. 按⏪進入子選單。

影像

選單畫面

影像	明亮度	+
設定	對比值	125
系統	飽和度	-
	預覽模式	
	效果	
	鏡射	
	耀光設定	
	手動耀光	
	白平衡設定	
	手動白平衡藍	
	手動白平衡紅	
	對焦	

功能

明亮度

手動調整亮度等級，範圍從 0 到 255。

影像	明亮度	+
設定	對比值	128
系統	飽和度	-
	預覽模式	
	效果	
	鏡射	
	耀光設定	
	手動耀光	
	白平衡設定	
	手動白平衡藍	
	手動白平衡紅	
	對焦	

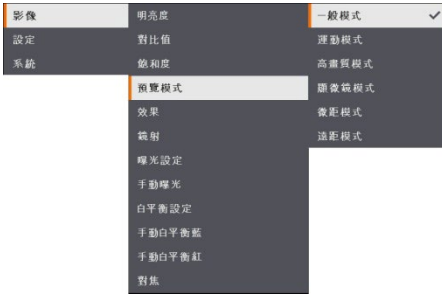
對比值

在明亮或黑暗的環境下，手動調整對比度等級，範圍從 0 到 255。



飽和度

手動調整飽和度等級，範圍從 0 到 255。



預覽模式

進行不同的影像顯示設定。

一般模式 - 調整影像漸層。

運動模式 - 動態影像的刷新率。

高畫質模式 - 最佳品質的高畫質

顯微鏡模式 - 自動調整用顯微鏡觀看時的變焦。

微距模式 - 近拍影像使用。

遠距模式 - 遠拍影像使用。



效果

將影像轉換為彩色、黑白或負片。



鏡射

選擇翻轉影像。



曝光設定

自動：自動調整白平衡和曝光設定、並自動校正顏色和曝光補償。

手動：手動調整曝光等級與白平衡。



手動曝光

手動：手動調整曝光等級。曝光可調整範圍從 0 到 99。



白平衡設定

選擇用於多種光線條件或色溫的白平衡設定。

自動：自動調整白平衡。

手動：手動調整色階。選擇手動調整進階白平衡設定。



手動白平衡藍

手動調整藍色色階。色階可調整至最高達 255。



手動白平衡紅

手動調整紅色色階。色階可調整至最高達 255。



對焦

手動調整焦距。

設定

選單畫面



功能

拍照解析度

選擇擷取之影像尺寸。選擇 **13M** 設定，擷取影像解析度為 4208x 3120。選擇 **一般** 設定，擷取尺寸取決於解析度設定。



拍照品質

選擇拍攝壓縮設定。選擇 **最佳** 取得最佳拍照壓縮。



儲存型態

選擇拍攝類型。

單一：僅拍攝一張圖片。

連續：拍攝連續圖片。可按任何鍵停止連續拍攝。選擇 **連續** 設定拍照間隔。



拍照間隔

設定連拍的時間間隔。間隔長度最高可達 600 秒(10 分鐘)。

選單畫面

功能



儲存

變更儲存位置。錄製的影音只能儲存在內建記憶體、SD 記憶卡或 USB 隨身碟中。



格式化

格式化會刪除所選擇記憶體中的所有資料。



儲存至電腦

透過 USB 連接電腦時，請選擇 AVer M90UHD 的狀態。

攝影機：可作為電腦的網路攝影機，或配合我們銷售的軟體來錄影與拍攝靜態影像。

儲存記憶體：將拍攝的圖片/影片從記憶體傳送到電腦的硬碟。



麥克風音量

調整錄影輸入聲音和 USB 聲音輸入數值。

**計時器**

開始計時。計時器會自動計時，到數計時至 0 後會顯示經過的時間。

**暫停/停止計時器**

計時期間按下 Menu 鍵開暫停/停止計時。

**計時器間隔**

設定計時器間隔，最高可達兩小時。

系統

選單畫面



功能

語言

變更與選擇不同的語言。M90UHD 支援高達 12 種語言。



輸出顯示

設定在畫面上顯示影像的解析度。自動偵測輸出裝置的解析度並將其配置為最高解析度。



備份

將影像從內建記憶體複製到SD記憶卡或USB隨身碟中。



儲存設定

將目前設定(亮度、對比度、飽和度、預覽模式等)儲存在所選擇的設定檔編號中。



恢復設定

將設定還原回所選擇的設定檔編號。



閃爍

選擇 50Hz 或 60Hz。有些顯示裝置無法處理高畫面更新率。影像會閃爍數次，因為輸出已切換成其他更新率。



資訊

顯示產品資訊。


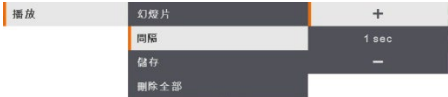




預設

將所有設定還原為原始出廠預設值。所有儲存設定將會被刪除。

播放

使用播放功能來配置儲存的圖像或影片。

選單畫面	功能
	幻燈片 開始或停止播放幻燈片。
	間隔 設定顯示下一張圖片/影片之前的間隔時間。
	儲存 從儲存來源選擇影像，包含內建記憶體、SD記憶卡或 USB 隨身碟。
	刪除全部 永久刪除所選擇記憶來源中的所有資料。

將拍攝的圖片/影片傳送至電腦

本功能可讓您將拍攝的圖片/影片從內建記憶體、SD 記憶卡或 USB 隨身碟傳送到電腦中。

兩種方式儲存圖片/影片

- a. 內建記憶體+SD 記憶卡
- b. 內建記憶體+USB 隨身碟



連接 USB 傳輸線之前，請務必閱讀並遵守以下說明。

1. 連接 USB 線前，請務必將「儲存至電腦」設定為「儲存」。



2. 當投影屏右下角顯示「大量儲存記憶體開始」，便可以接上 USB 線。
3. 接上 USB 線後，系統將會自動偵測新的可移除磁碟機。接下來可將擷取影像自 M90UHD 內建記憶體、SD 記憶卡或 USB 隨身碟傳輸至電腦硬碟。

技術規格

影像

感應器	1/3.06" CMOS
有效畫素	1300 萬畫素
畫格速率	60 fps (最高)
白平衡	自動 / 手動
曝光	自動 / 手動
影像模式	一般 / 運動 / 高畫質 / 顯微鏡 / 微距 / 遠距
效果	彩色 / 黑白 / 負片
RGB 輸出	1280×720, 1024×768, 1080P
HDMI 輸出	4K, 1080p, 720p
影像擷取	200 張數

光學

對焦	自動 / 手動
拍攝範圍	420 x 315mm
縮放倍數	共 322 倍(14 倍光學縮放+23 倍數位縮放)

電源

電源	DC 5V/3A, AC 100-240V, 50-60Hz
耗電量	10 Watts(開燈) ; 9 Watts(不開燈)

光源

燈泡類型	LED 燈
------	-------

輸入/輸出

HDMI 輸入	HDMI
HDMI 輸出	HDMI
VGA 輸入	15-pins D-sub
VGA 輸出	15-pins D-sub
USB-A 埠	1 (USB 隨身碟 Type A)
USB-B 埠	1 Mini-B 插座
麥克風	內建
SD 記憶卡	1 (micro SD 記憶卡, 32GB)

音源輸出	3.5mm 插孔
麥克風	MIC 連接埠
電源輸入(DC 5V)	電源插孔
Kensington 安全鎖	有
*RS-232 (選購)	Mini-DIN 插孔(使用 RS - 232 連接線 (選購))

尺寸

使用時	481.3mm(L) x 159mm(W) x 469.9mm(H)
收起後	319.0mm(L) x 176mm(W) x 112mm(H)
重量	2.2 +/-0.5 公斤 (5.732 磅)

外部儲存裝置

Micro SD 記憶卡	最大 32GB (FAT32)
USB 隨身碟	最大 32GB (FAT32)

*僅提供配備 RS-232 的 M90UHD 使用。

故障排除

本節將提供如何解決使用 AVer M90UHD 的常見問題。

投影畫面上沒有圖片。

1. 請依照本手冊說明，重新檢查所有連接線接頭。
2. 確認顯示輸出裝置的設定值。
3. 如果是使用筆記型電腦或電腦透過顯示輸出裝置投影，請檢查電腦的 RGB(VGA)輸出到 AVer M90UHD 的 RGB 輸入的連線，並確認 AVer M90UHD 在電腦模式。
4. 對於 HDMI 顯示輸出，在等待顯示設備和 M90UHD 同步時會發生延遲。大概需等待 4 至 7 秒鐘，才會在螢幕上看到攝影機圖像。

投影畫面上的影像有失真或者影像模糊不清。

1. 必要時，請將所有設定回復為原廠設定值。請按 MENU 鍵 > 系統 > 預設，接著於選單中選擇「是」。
2. 使用明亮度與對比值選單中的功能將影像失真的情況降到最低。
3. 若發現影像模糊或失焦，請按控制面板或遙控器上的 Auto Focus(自動對焦)鍵。

投影畫面上沒有電腦訊號。

1. 請檢查顯示裝置、AVer M90UHD 以及電腦上的所有連接線是否連接妥當。
2. 開啟電腦電源前，請先將電腦接上 AVer M90UHD。
3. 針對筆記型電腦，重複按下 FN+F5 切換顯示模式，並將電腦影像顯示於投影畫面中。如需不同指令，請參閱筆記型電腦的手冊。

從攝影機切換至 PC(電腦)模式後，簡報螢幕無法顯示電腦或筆記型電腦上的桌面影像。

1. 在電腦或筆記型電腦上，將滑鼠游標置於桌面然後按下右鍵，選擇「內容」>「設定」標籤，點選「2」顯示器並勾選「將 Windows 桌面延伸到此顯示器」方塊。
2. 然後再回電腦或筆記型電腦，並將滑鼠游標置於桌面上，再按一次右鍵。
3. 這次選擇「圖形選項」>「輸出至」>「Intel® Dual Display Clone」，然後選擇「顯示器 + 筆記型電腦」。
4. 完成以上步驟後，簡報螢幕上便應能夠顯示與電腦或筆記型電腦上的相同桌面影像。

AVer M90UHD 偵測不到插入的 USB 隨身碟。

確定 USB 隨身碟已正確插入且格式正確開關，僅支援 FAT32。

有限保固

保固期限係指產品購買日起之特定時間，時間長短依 AVer Information Inc.於保固卡上聲明之「AVer 產品保固期」為準。自適用產品購買日開始至「AVer 產品保固期間」一節規定日期為止，AVer Information Inc.（「AVer」）保證在此期間內，適用產品（「產品」）在本質上符合 AVer 產品說明文件的規定，且其製造與零組件在正常使用下沒有材料與工藝上的瑕疵。本協議中以「您」表示使用或安裝產品之個人或企業實體。此有限保固書之效力僅限原始購買人。除前述條件外，本產品依「現狀」提供。AVer 對於您是否具備操作本產品之能力或者是否可能產生任何干擾，或本產品之個人用途適用性，恕不提供擔保。根據本段內容，AVer 對您之唯一賠償責任為：經本公司定奪後，可決定提供修復或更換同款或同級產品。此保固書不適用於以下條件：(a) 產品序號模糊、經過修改或遭移除，或者 (b) 本產品之紙箱、提袋、電池、機箱、膠帶或其他隨附配件。此保固書亦不適用於因 (a) 意外、濫用、誤用、疏忽、火災、水災、閃電或其他天災、商業或工業用途、未經授權改裝或未遵守產品說明書所造成之損壞、效能惡化或故障產品、(b) 經製造商代表以外的人員進行維修之產品、(c) 任何因運送導致產品損壞（此等索賠請向貨運公司申請）或者 (d) 其他與產品瑕疵無關之起因。產品修復或更換之保固期應以下列時間較長者為準：(a) 原始保固期或 (b) 自修復或更換產品運出之三十日內。



關於保固期限，請參閱保固卡。

擔保限制

AVer 對第三方恕不提供保固。對於任何因您使用或誤用本產品而導致賠償之相關索賠、損害、帳目、開支以及律師費，需自行負責。此擔保僅適用於依 AVer 說明進行安裝、操作、維護與使用之產品。具體而言，本擔保不含因以下條件所導致之產品故障：(i) 意外、不正常之物理、電子或電磁壓力、疏忽或誤用。(ii) 使用 AVer 產品規格外之電力波動。(iii) 未使用 AVer 或其授權代理商提供之產品配件或選購配件，或 (iv) 未由 AVer 或其授權代理商進行之安裝、改造或修復工作。

免責申明

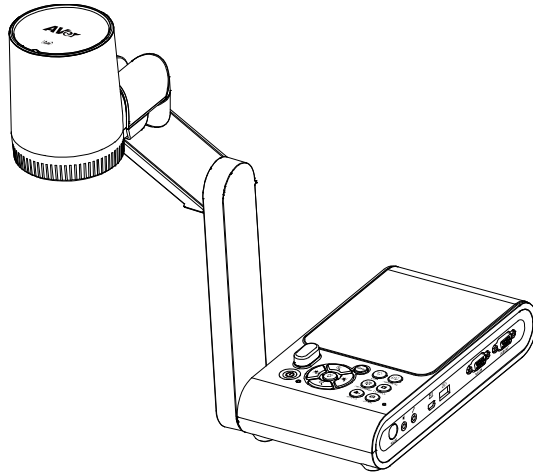
除本文明言提供之擔保外，在最大適用法律範圍內，AVer 對於產品之其他所有擔保，不論明示或暗示，法令規定或其他條件，概不負責，包括但不限於：產品滿意度、交易過程、商標使用或慣例或適銷性之暗示擔保、特定用途之適用性或未對第三方造成侵權行為。

責任限制

對於任何間接、意外、特殊、例外、懲處或因天災造成之損害，包括但不限於，利潤、資料、營收、生產之損失，或因使用或業務中斷造成之損害，或因購買本有限保固或與本保固相關之替用商品或服務造成之損害，或任何產品使用效能（不論立約或因人為疏忽或其他法理造成之侵權行為）之損害，即使 AVer 以事先告知此類損害之可能性，恕不負擔任何賠償責任。對於任何自然活動所引起之損害，不論形式為何，AVer 之總賠償絕不超過您購買該 AVer 產品之金額。

法律依據法以及您的權利

本擔保書提供特定之法律權利；視各地法令而定，您亦可能享有其他地法律權利。



AVerVision M90UHD

ユーザーマニュアル



お使いになるまえに～安全のために必ずお読みください～

本機を安全に正しくお使いいただき、お使いになる方や他の方への危害、財産への損害を未然に防止するために守っていただきたい事項が記入されています。ご使用前によく読んで大切に保管してください。

以下の表示の意味をよく理解した上で本文をお読みください。

本書に記載する記号について



警告

この表示を無視して誤った取扱をすると、死亡または重傷を負う可能性が想定される内容を示しています。



注意

この表示を無視して誤った取扱をすると、傷害を負う可能性、または物的損傷の発生が想定される内容を示しています。

表示の例



注意

△記号は注意を促す内容が記入されていることを示しています。図のなかに具体的な注意内容(左の記号の場合は高温注意)が記入されています。



禁止

⊘記号は禁止行為が記入されています。図中やその周辺に具体的な禁止内容(左の記号の場合は分解禁止)が記入されています。



指示

●記号は指示や勧告が記入されています。図のなかに具体的な内容(左の記号の場合は電源プラグをコンセントから抜くこと)が記入されています。

本機を安全にお使いいただくために以下の内容をお守りください。

警告

- 交流 100V 以外の電源では使用しないでください。感電や火災のおそれがあります。
- 電源コードに傷をつけたり、上に重いものをのせたり、強く引っ張ったりしないでください。感電や火災のおそれがあります。
- 機器の内部に燃えやすいものや、金属などを入れないでください。また、水などをかけないでください。感電や火災のおそれがあります。万一、異物が入ったり、水がかかったことで動作をしない場合は、すぐに使用を中止して、販売店または当社営業担当にご連絡ください。
- 機器に水や異物を入れたり、ぬらさない。火災・感電の原因となります。雨天、降雪中、海岸、水辺での使用は特にご注意ください。
- 電源コードを高温部に近づけないでください。コードの被覆が溶けて感電や火災のおそれがあります。
- 本機を直射日光の当たるところや、冷暖房器の近く、温度の高いところに置かないでください。内部の温度が上がります。
- 本機を水、油、薬品等がかかるおそれのある場所、ごみやほこりの多い場所に置かないでください。火災や感電の原因となります。液体をこぼした場合には、電源を切り電源プラグコンセントから抜き、販売店へご連絡ください。そのまま使用すると火災・感電の原因となります。
- 本機をぐらついた台の上や傾いたところなど、不安定な場所に置かないでください。倒れたり、落下してけがの原因となります。
- 本機を移動させる場合は、本体台座部分を持ってください。台座部分を持たずに移動すると、事故や故障の原因となります。
- 本機を移動させる場合は、必ず電源を切り、すべての配線をはずしたことを確認してから行ってください。火災・感電の原因となることがあります。
- 風呂場、シャワー室では使用しない。火災・感電の原因となります。
- 電源アダプタのコードが傷んだら(断線、芯線の露出)販売店に交換をご依頼ください。そのまま使用すると火災・感電の原因となります。
- 電源アダプタは必ず付属品を使用してください。火災・感電の原因となります。
- 付属の電源アダプタ、電源ケーブルは本機専用です。他の機器には使用しないでください。



警告



- 電源プラグの刃や取付面にほこりが付着している場合は、機器本体の電源スイッチを切り電源プラグを抜いてから、ほこりを取り除く。電源プラグの絶縁低下により、火災の原因となります。
- 電池の液が目に入ったときは、失明などの障害の恐れがありますので、こすらずにすぐに水道水などの多量のきれいな水で十分に洗ったあと、医師の治療を受けてください。
- 小さなお子様の手が届くところには、設置・保管しないでください。取り外した電池を小さなお子様の手が届く場所に放置しないでください。飲み込んだり、のどに詰まらせることがあります。万一、飲み込んだ場合は直ちに医師にご相談ください。
- 電池の＋と－を逆にして使用しないでください。電池を漏液、発熱、破裂させるおそれがあります。
- 電池の液をなめた場合には、すぐにうがいをして医師に相談してください。
- 電池の液が皮膚や衣服に付着した場合には、皮膚に障害を起こす恐れがありますので、すぐに多量の水道水などのきれいな水で洗い流してください。
- 種類の異なる電池、新しい電池と使用済みの電池、古い電池などを混ぜて使用しないでください。電池を漏液、発熱、破裂させるおそれがあります。
- 使い切った電池はすぐにリモコンから取り出してください。
- 使い切った電池をリモコンにセットしたまま長時間放置しますと、電池から発生するガスにより、電池を漏液、発熱、破裂させたり、リモコンを破損させるおそれがあります。
- 長時間リモコンを使用しない場合には、リモコンから電池を取り出してください。電池から発生するガスにより、電池を漏液させたり、リモコンを破損させるおそれがあります。
- 電池の外装ラベルやパッケージの注意書に従って正しく使用してください。電池の使い方を誤ると、電池が漏液、発熱、破損したりケガや機器故障の原因となります。
- 電池は加熱したり、火や水の中に投げ込まないでください。
- 電池を廃棄するときは、地域の回収ルールに従ってください。



- 機械の分解、改造は絶対におこなわないでください。感電や火災のおそれがあります。
- 機器の裏ふた、カバーは外さないでください。内部には電圧の高い部分があり、感電の原因となります。内部の点検・整備・修理は、販売店にご依頼ください。



- 使用中に本体から煙がでたり、異臭、異音がするなどの異常が発生した場合はすぐに使用を中止して、電源プラグをコンセントから抜いて販売店または当社営業担当にご連絡ください。そのまま使用すると感電や火災の原因となります。
- 機器を接続するときは、電源プラグをコンセントから抜いておこなってください。これを怠ると感電の原因となります。
- 電源プラグを抜くときは、必ず本体を持って抜いてください。電源コードを引っ張るとコードに傷がついて感電や火災の原因となります。
- ぬれた手で電源プラグの抜き差しをしないでください。感電のおそれがあります。
- お手入れの際は、安全のため電源プラグをコンセントから抜いて行ってください。これを怠ると感電の原因となります。
- 本機を長時間ご使用にならないときは、安全のため電源プラグをコンセントから抜いてください。電源プラグを抜いておかないと火災の原因となります。

注意

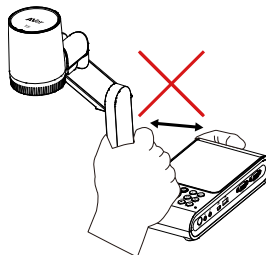
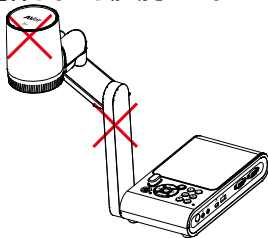
- 変色や変形、故障の原因になりますので本機を科学ぞうきん、ベンジンやシンナーなどの有機溶剤で絶対にふかないでください。汚れがひどいときは、薄めた中性洗剤を布につけ、よく絞ってからふいて、その後乾いた柔らかい布で水分をふきとってください。水洗いは絶対にしないでください。
- お手入れの際には、電源プラグをコンセントから抜いて行ってください。ケーブルを接続機器から抜き、配線ははずしたことを確認してから行ってください。
- 調理台や加湿器のそばなど、油煙や湯気・水滴が当たるような場所に置かないでください。火災・感電の原因となる場合があります。
- 本機を落としたり、ぶつけるなどの強い衝撃を与えないでください。故障の原因となります。

登録商標について

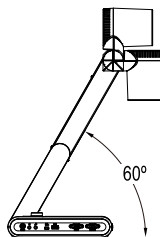
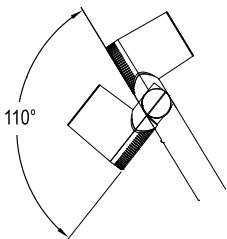
- Windows 7、Windows8、Windows10 は、米国 Microsoft Corporation の米国およびその他の国における登録商標です。
- Macintosh、iMac は米国アップルコンピュータ社の登録商標です。
- IBM PC、XGA、SVGA、VGA は、International Business Machines Corporation の登録商標です。

使用上のご注意

- 機器を雨や湿気にさらさないでください。火災や感電の危険性があります。機器に不正な改造が確認された場合、製品保証は無効となります。
- 機器を落としたり、衝撃を加えたりしないでください。
- 機器故障を防ぐため、正しい電圧の電源を使用してください。
- 電源コードを踏むような場所にカメラを置かないでください。ケーブルの断線や電源プラグが損傷する恐れがあります。
- カメラの底面を手で持ち、カメラを動かしてください。カメラを動かす時はカメラ部分やアーム部分を持ちながら移動させてください。
- アーム部とカメラ部を、可動方向と反対の方向に引っ張らないでください。故障の原因となります。



- カメラ・ヘッドの摩耗を防ぐため、カメラ・ヘッドを 110° 以上動かさないでください。
- カメラの損傷を防ぐため、アーム部を 60° より低く引っ張らないでください。





このマークは、本製品が他の家庭廃棄物と一緒に廃棄されてはならないことを示しています。代わりに、廃電気電子機器のリサイクルのために指定された収集場所へ廃棄処分する必要があります。リサイクルの詳細については廃棄物処理業者または製品を購入した業者までお問い合わせください。

VCCI-A

この装置は、クラス A 機器です。この装置を住宅環境で使用すると電波妨害を引き起こすことがあります。この場合には使用者が適切な対策を講ずるよう要求されることがあります。

リモコンの電池に関する安全上の注意

- 電池は湿気のない涼しい場所に保管してください。
- 使用済みの電池をゴミ箱に捨てないでください。使用済みの電池は、各自治体の指定する処分方法に従って適切に処分してください。
- 長時間にわたって電池を使用していない場合は取り外してください。漏電と腐食により、リモコンが破損する恐れがあります。
- 古い電池と新しい電池を一緒に使用しないでください。
- 異なる種類の電池を一緒に使用しないでください。(アルカリ、マンガン (炭素亜鉛)、またはニッケルカドミウム)。
- 電池を火で燃やして処分しないでください。
- 電池の端子をショートさせないでください。

免責事項

本文書は、公開された時点での製品情報と仕様を編集および公開したものです。本文書の内容と文書内で説明されている製品の仕様は事前の通知無く変更される場合があります。AVer は、予告なくそのような変更を行う権限を有します。AVer やその関連会社は:(1) この文書は情報の完全性もしくは正確性を保証するものではありません。(2) 本書の情報について利用や信頼について責任を負いません。AVer は、本書の情報を信頼したことによるいかなる損害(間接損害を含む)に責任を負いません。

商標

AVerVision は AVer Information Inc.社の登録商標です。IBM PC は IBM 社の登録商標です。Macintosh は Apple Computer 社の登録商標です。Microsoft および Windows はそれぞれ Microsoft 社の登録商標および商標です。本書に記載されている他のすべての製品名または会社名は認証および説明目的のためだけで、各社の商標または登録商標となっている場合があります。

著作権

© 2023 本書は AVer Information Inc.が著作権を保有します。| 2023 年 8 月 9 日
本書は AVer Information Inc. 及び アバー・インフォメーション株式会社から事前に文書による許諾を得ることなく、いかなる方法によっても無断で複製、送信、複写、翻訳、情報検索システムへの保管、翻訳することは禁止されています。本書に記載された情報は予告なしに変更される場合があります。

製品サポート

FAQ、テクニカルサポート、ソフトウェア、およびユーザー・マニュアルのダウンロードについては、次のウェブサイトをご覧ください:

ダウンロード・センター

<https://jp.aver.com/download-center>

ヘルプセンター

<https://jp.aver.com/helpcenter>



お問い合わせ先

アバー・インフォメーション株式会社

<https://jp.aver.com>

〒160-0023 東京都新宿区西新宿 3-2-26 立花新宿ビル 7 階

TEL: 03 5989 0290

テクニカル・サポート: <https://jp.aver.com/technical-support>

内容

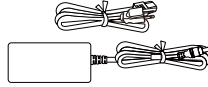
パッケージ内容.....	1
オプション販売品.....	1
AVerVision M90UHD 製品外観.....	1
右面パネル.....	3
左面パネル.....	3
背面パネル.....	4
コントロール・パネル.....	5
リモコン.....	7
機器の接続.....	9
電源を接続.....	9
コンピューターとの USB 接続.....	10
VGA/HDMI 出力でモニターまたは LCD/DLP プロジェクターとの接続.....	11
PC からの VGA/HDMI 信号をパススルー出力する場合の接続.....	12
アンプ内蔵スピーカーを接続.....	14
マイクを接続.....	14
顕微鏡に接続.....	15
AVerVision M90UHD のセットアップ.....	17
書画カメラの保管.....	17
撮影範囲.....	18
LED ライト.....	20
リモコン受光部.....	21
M90UHD を平面に取り付け.....	21
反射防止シート.....	22
外部メモリ・ストレージ.....	22
マイクロ SD カードの挿入.....	22
USB フラッシュ・ドライブの挿入.....	22
RS-232 インターフェースの使用.....	23
RS-232 送信コマンド表.....	24
RS-232 受信コマンド表.....	28
OSD メニュー.....	29
メニューとサブ・メニューのナビゲート.....	30
イメージ.....	30
設定.....	34
システム.....	37
再生.....	39
撮影した画像やビデオのコンピューターへの転送.....	40

主な仕様	40
画像	40
光学	40
電源	41
照明	41
入力／出力	41
寸法、重量	41
外部ストレージ	41
トラブルシューティング	42
製品保証について	43

パッケージ内容



M90UHD



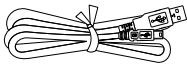
電源アダプタと
電源コード*



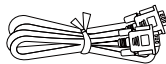
リモコン



単 4 形電池 (x2)



USB ケーブル



VGA ケーブル



保証書



クイックガイド

*電源コード、販売する国のコンセントによって異なります。

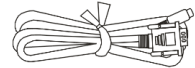
オプション販売品



キャリング・バッグ



反射防止シート



RS-232 ケーブル

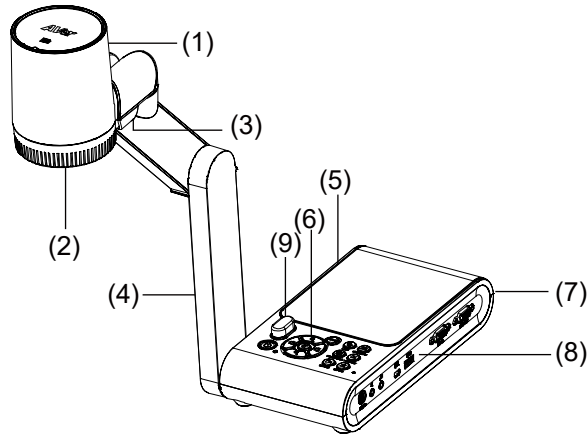


連結プレート



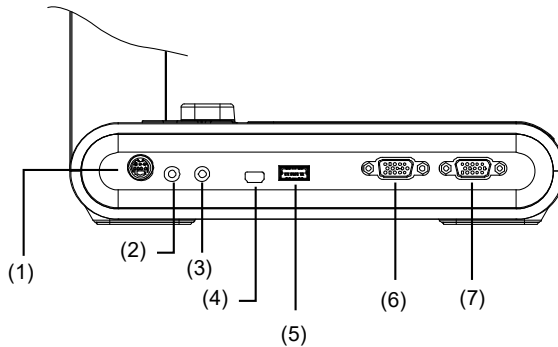
顕微鏡アダプタ
(28 mmと 34 mmのゴム・カップラーが含まれています。)

AVerVision M90UHD 製品外観



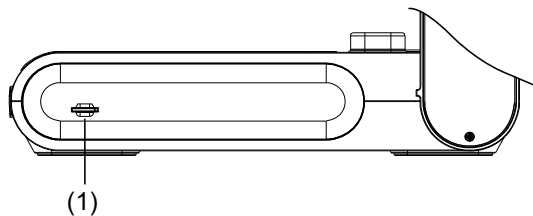
名称	機能
(1) カメラ・ヘッド	カメラ・センサー内蔵ユニット
(2) カメラ・レンズ	被写体の撮影用レンズ
(3) LED ライト	照明条件を高めるための追加照明ランプ
(4) メカニカル・アーム	可動範囲内で撮影範囲を調整
(5) 左面パネル	マイクロ SD カード挿入口
(6) コントロール・パネル	カメラ操作用の各ボタン搭載
(7) 背面パネル	DC 5V 差込口、HDMI 出力／入力ポート、および盗難防止用 Kensington セキュリティ・ロック互換スロット
(8) 右面パネル	VGA 入力／出力ポート、USB ポート、ミニ USB ポート、マイクロホン入力、スピーカー出力、RS-232(オプション)ポート
(9) リモコン受光部	リモコンの赤外線信号受光部

右面パネル



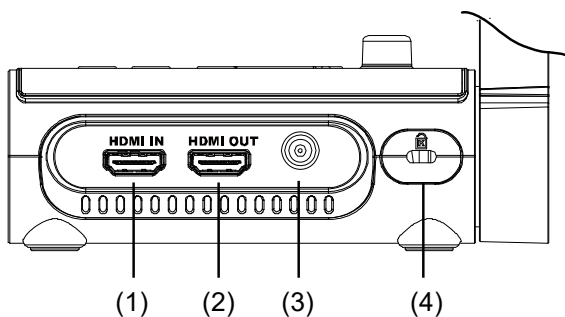
名称	機能
(1) RS-232	オプション使用 (シリアル通信によるカメラ制御)
(2) スピーカー出力	アンプ付きスピーカーと接続して、録音されたオーディオとビデオ音声を再生
(3) マイクホン入力	外部マイクと接続
(4) ミニUSBポート	USB ケーブルでコンピューターの USB ポートに接続し、AVerVision M90UHD を USB カメラとして使用するか、撮影した画像／ビデオをメモリスーツからコンピューターに転送
(5) USBポート	USB フラッシュ・ドライブから画像／ビデオを直接保存するには、USB フラッシュ・ドライブを挿入
(6) VGA入力	コンピューターまたは他のソースからの信号を入力し、VGA 出力端子にのみパスさせます。このポートをコンピューターの VGA 出力ポートに接続
(7) VGA出力	AVerVision M90UHD を VGA ケーブルで任意のディスプレイ・デバイスに接続

左面パネル



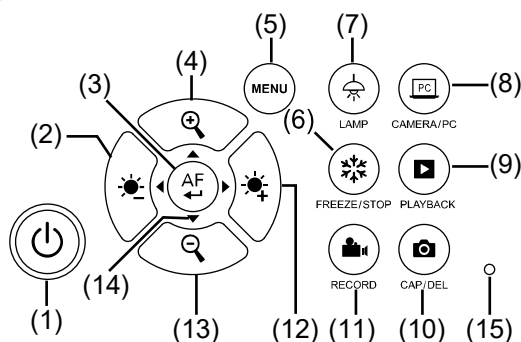
名称	機能
(1) マイクロ SD カード・スロット	ラベルを上に向けてマイクロ SD カードを挿入します。マイクロ SD カードは撮影した画像を保存し、ビデオ・ファイルを録画

背面パネル





名称	機能
(1) HDMI 入力	このポートを介して外部 HDMI ソースを入力として接続します。このポートをコンピューターの VGA/HDMI 出力ポートと接続
(2) HDMI 出力	メインシステムからのビデオ信号を、インタラクティブ・フラット・パネル、LCD モニター、または HDMI ケーブルを使用して HDMI インターフェイス付きの LCD/DLP プロジェクターに出力
(3) DC 5V	このポートに電源アダプタを接続
(4) 盗難防止スロット	Kensington 互換のセキュリティ・ロックまたは盗難防止デバイスを取り付く

コントロール・パネル

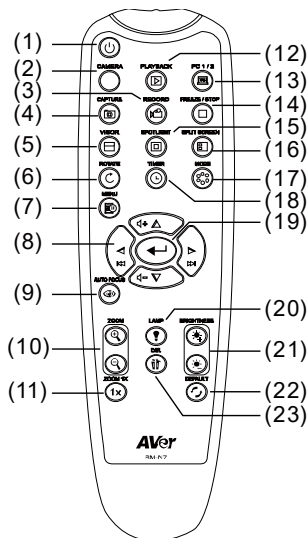


名称	機能
(1) 電源	本体の電源をオン、または待機モード
(2)	映像の明るさを調整 (-)
(3) オートフォーカス	<ul style="list-style-type: none"> - 再生モードと OSD メニューで選択を行う - ビデオ再生を開始／一時停止 - フォーカスを自動的に調整
(4) ズーム・イン	カメラおよび画像再生モードで画像の倍率を調整 (+)
(5) メニュー	OSD メニューとサブ・メニューを開くまたは閉じる
(6) フリーズ／停止	<ul style="list-style-type: none"> - カメラ・モードで画像表示を一時停止または再開 - 再生モードでオーディオとビデオの再生を停止
(7) 照明	LED ライトをオン／オフ
(8) カメラ／PC	VGA 入力ポートまたは HDMI 入力ポートからカメラまたはコンピューター間でビデオ信号を切り替え
(9) 再生	撮影した静止画像とビデオ・ファイルを表示および再生
(10) 撮影／削除	<ul style="list-style-type: none"> - カメラ・モードで写真を撮影します。連続撮影モードでこのボタンをもう一度押すと撮影を停止 - 再生モードで選択した画像／ビデオを削除
(11) 録画	オーディオとビデオの録画を開始／停止します。オーディオとビデオの録画は、SDカードまたはUSBフラッシュ・ドライブにのみ保存できます。 外部メモリ・ストレージ を参照してください

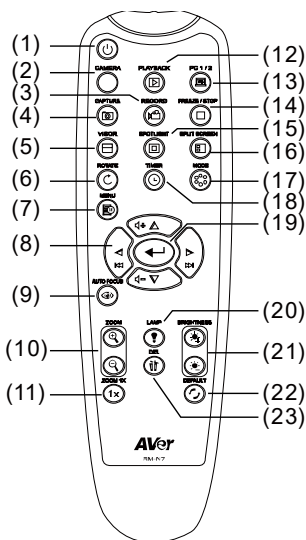
名称	機能
(12) 	映像の明るさを調整 (+)
(13)  ズーム・アウト	カメラおよび画像再生モードで画像の倍率を調整 (-)
(14) ▲, ▼, ◀ & ▶	<ul style="list-style-type: none"> - ライブ・モードでの画像のパンとズーム・イン(デジタル・ズーム・レベルより上) - OSD メニューでオプションを選択 - ▲と▼を使用して、ビデオ再生ボリュームを調整 - ◀と▶を使用して、ビデオを早送りまたは逆再生
(15) 内蔵マイク	録画の際に、録音をします。録音された音声はモノラルになります

リモコン

リモコンには「単 4 形」の電池 2 個(付属品)が必要です。使用する前に電池が正しく取り付けられていること確認してください。リモコンで AVerVision M90UHD のすべての機能にアクセスできます。



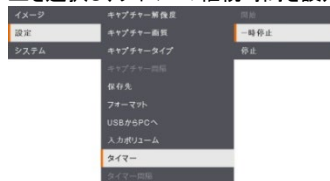
名称	機能
(1) 電源	本体の電源をオン/オフ/待機
(2) カメラ	カメラ・モードは、内蔵カメラからのビデオ信号を表示
(3) 録画	オーディオとビデオの録画を開始/停止します。ビデオ録画は、SD メモリ・カードまたは USB フラッシュ・ドライブにのみ保存
(4) 撮影	カメラ・モードで静止画像を撮影します。連続撮影モードでこのボタンをもう一度押すと撮影を停止
(5) マスク	非対応
(6) 回転	カメラ・モードで画像を 0° /180° 回転
(7) メニュー	OSD メニューを開くまたは終了
(8) ▲, ▼, ◀ & ▶	<ul style="list-style-type: none"> - ライブ・モードでの画像のパンとズーム・イン (デジタル・ズーム・レベルより上) - OSD メニューでオプションを選択 - ▲と▼を使用して、ビデオ再生ボリュームを調整 - ◀と▶を使用して、ビデオを早送りまたは逆再生
(9) オートフォーカス	フォーカスを自動的に調整
(10) ズーム+/-	カメラと画像再生モードで画像の倍率を調整
(11) ズーム・リセット	ズーム・レベルを倍率1倍にリセット
(12) 再生	メモリ・イメージから撮影した画像/ビデオを表示
(13) PC 1/2	PC モードは、M90UHD の VGA/HDMI 入力ポートからのビデオ信号を表示
(14) フリーズ/停止	<ul style="list-style-type: none"> - ライブ画像をフリーズ - ビデオの再生を停止
(15) スポットライト	非対応
(16) 画面分割	非対応
(17) モード	ボタンを押すと、標準、高フレーム、高画質、顕微鏡、インフィニティ、またはマクロ・モードを切り替え




(18) タイマー

名称	機能
----	----

タイマー・サブメニューを呼び出します。タイマーのカウントダウンの開始／一時停止／停止を選択し、タイマーの継続時間を設定



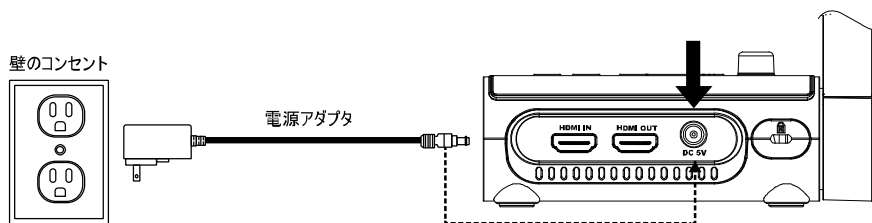
- | | |
|--|---|
| (19)  | - 再生モードと OSD メニューで選択を行う
- ビデオの再生を再生／一時停止 |
| (20) 照明 | LED ライトをオン／オフ |
| (21) 明るさ＋／－ | 映像の明るさを調整 |
| (22) 初期化 | 工場出荷時の設定にリセット |
| (23) 削除 | 再生モードで選択した画像／ビデオを削除 |

機器の接続

接続する前に、すべての機器の電源がオフの状態であることを確認してください。接続する場所がわからない場合は、下図の接続に従って、AVerVision M90UHD に接続するデバイスのユーザー・マニュアルを参照してください。

電源を接続

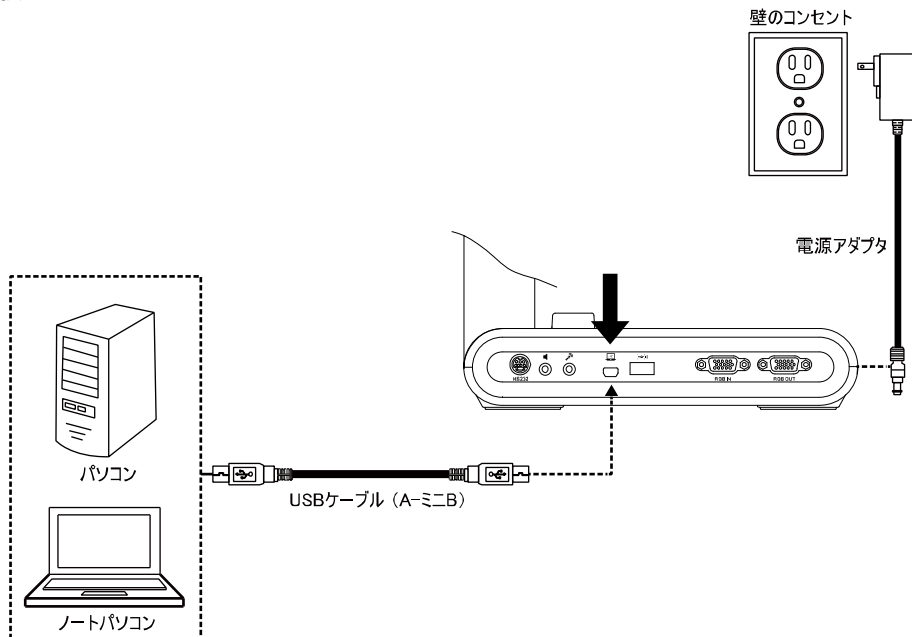
電源アダプタを標準の 100V～240V AC 電源コンセントに接続します。電源が接続されると、ユニットは自動的に待機モードになります。⏻ ボタンを押してオンにします。



※コンセント形状は地域によって異なり

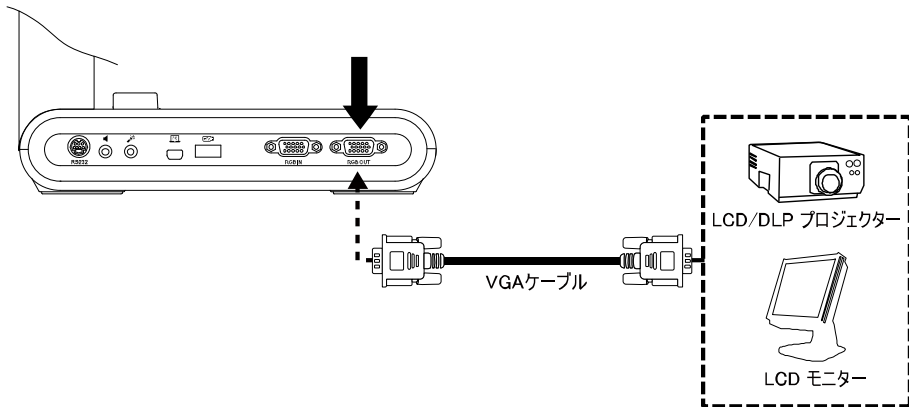
コンピューターとの USB 接続

コンピューターまたはノートパソコンの USB ポートを AVerVision M90UHD の PC ポート（ミニ USB ポート）に接続すると M90UHD を USB カメラとして使用できます。Skype、Teams、Zoom などのソフトウェア上でカメラとして選択できます。

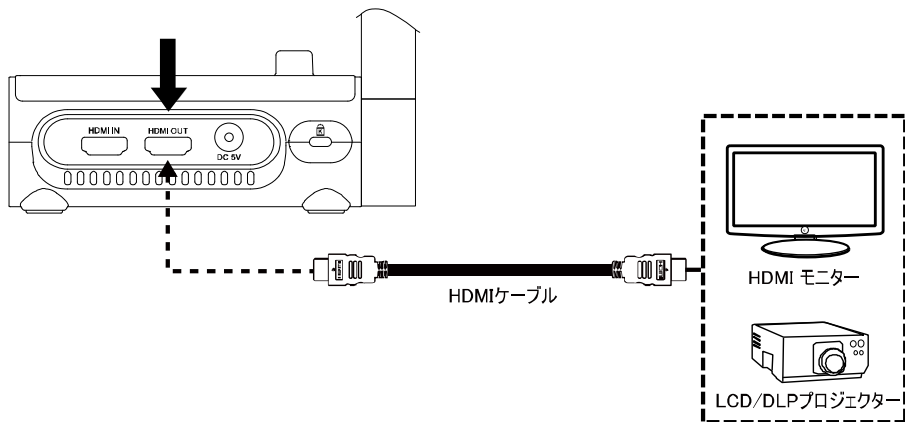


VGA/HDMI 出力でモニターまたは LCD/DLP プロジェクターとの接続

ディスプレイ・デバイスの VGA/HDMI 入力ポートを AVerVision M90UHD の VGA/HDMI 出力ポートに接続します。



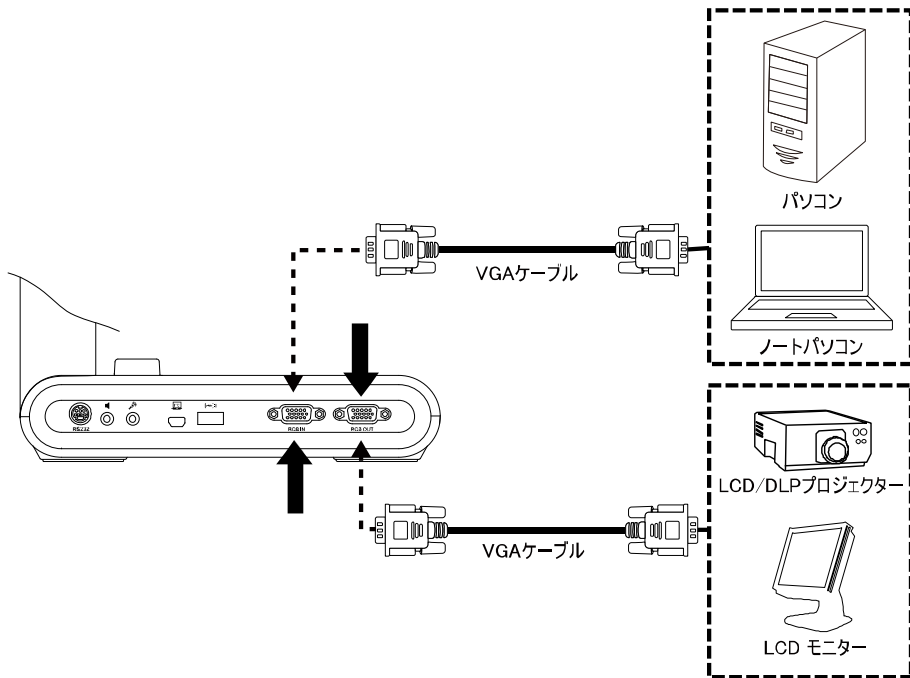
※VGA ケーブル接続



※HDMI ケーブル接続

PC からの VGA/HDMI 信号をパススルー出力する場合の接続

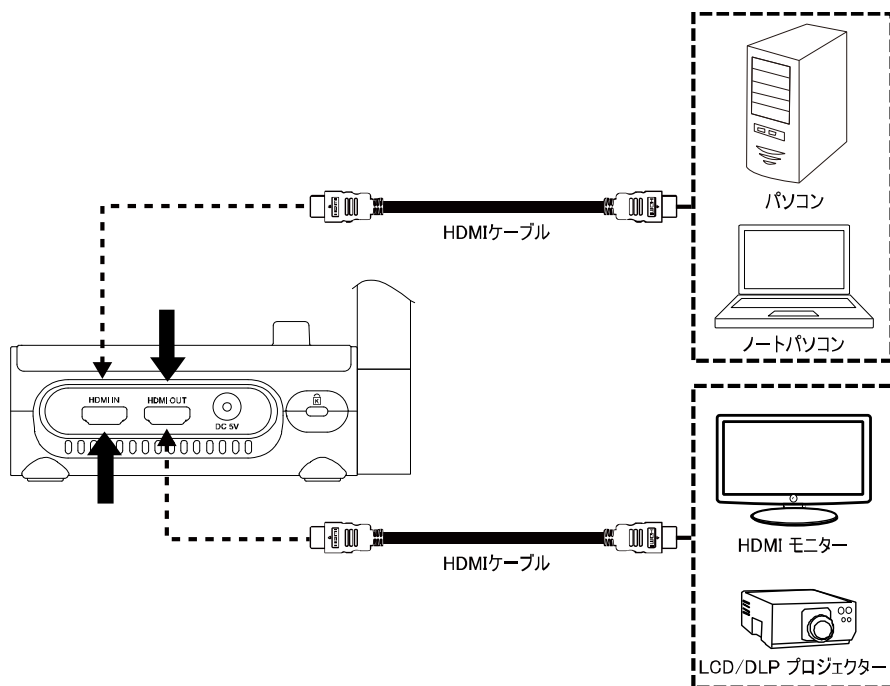
ディスプレイ・デバイスの VGA/HDMI 入力ポートを AVerVision M90UHD の VGA/HDMI 出力ポートに接続します。



反対側で、コンピューターまたはノートパソコンの VGA/HDMI 出力ポートを AVerVision M90UHD の VGA/HDMI 入力ポートに接続します。VGA/HDMI 入力ポートからのビデオ信号は、VGA/HDMI 出力ポートに出力されます。

[注意]

- コンピューターの画像を表示するには、コントロール・パネルまたはリモコンの**カメラ/PC** ボタンを押して、AVerVision M90UHD をコンピューター・モードに切り替えます。
- ノートパソコンでディスプレイ映像を出力するには、キーボード・コマンド(例えば FN+F5)を使用して表示モードを切り替えます。別のコマンドについては、ノートパソコンのマニュアルを参照してください。

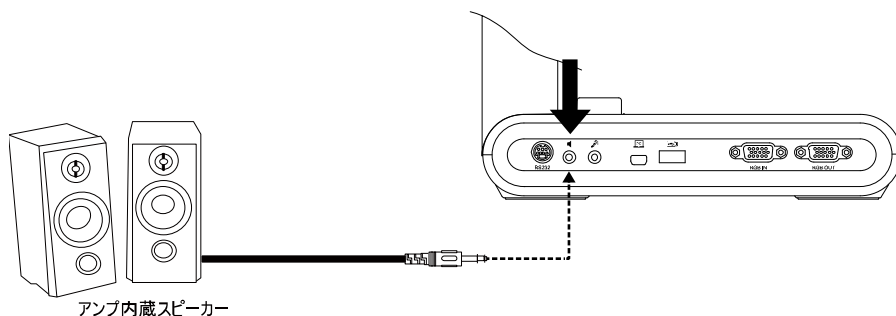


アンプ内蔵スピーカーを接続

アンプ内蔵スピーカーの 3.5 mmプラグをスピーカー出力 (🔊) ポートに接続します。ビデオ再生からのオーディオのみが対応されます。

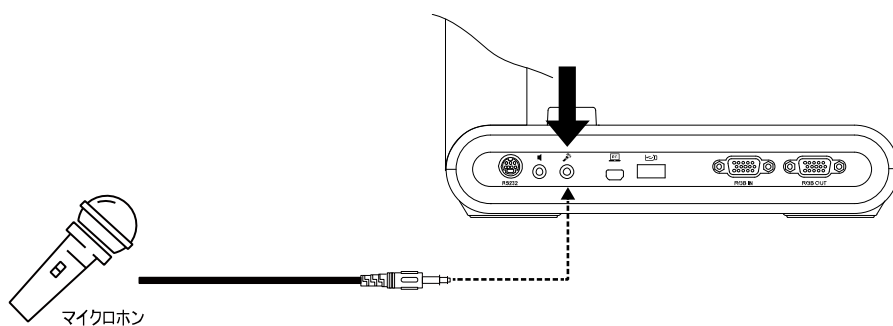
[注意]

アンプ内蔵スピーカーをスピーカー出力ポートに接続することをお勧めします。イヤホンを使用するときは注意してください。大音量による聴覚障害を防ぐために、リモコンを使用してボリュームを下げてください。



マイクを接続

マイクロホンの 3.5 mmプラグをマイクロホン入力 (🎤) ポートに接続します。



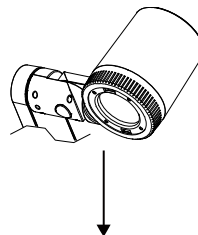
顕微鏡に接続

AVerVision M90UHD を顕微鏡と接続し、大画面で微細な物体を観察できます。

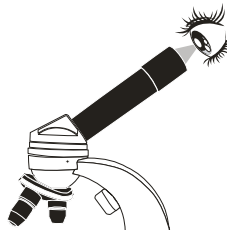
1. 画像表示モードを顕微鏡に変更します。メニューボタンを押して、**イメージタブ>モード>(顕微鏡)**を選択して、**←**を押します。



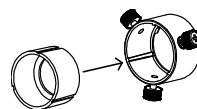
2. カメラ・ヘッドを最も遠い位置に向け、**オートフォーカス**ボタンを押します。



3. 顕微鏡の焦点を調節します。



4. 顕微鏡の接眼部に適したサイズのゴム・カップラーを選択し、顕微鏡アダプタに挿入します。

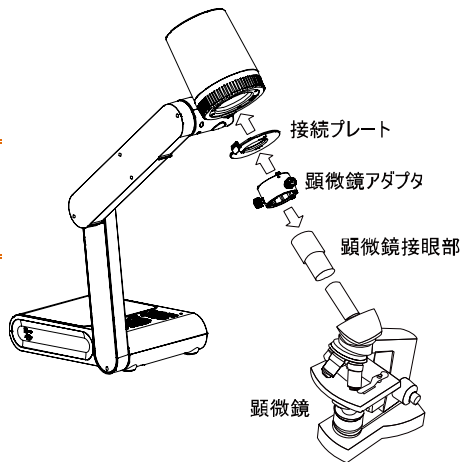


5. 顕微鏡から接眼部を取り外し、ゴム・カプラーを挿入した状態で顕微鏡アダプタに接続します。アダプタが接眼部に固定されるまで、ネジ 3 本を締めます。

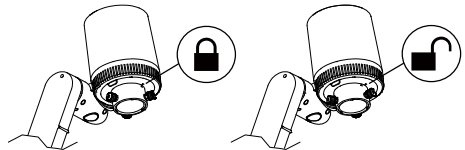


- 接眼部には、33 mm以上のアイレリーフを使用することをお勧めします。
- 手動で調整を行い、より良い画像ビューを取得します。

6. 顕微鏡アダプタを接続プレートで AVerVision カメラ・ヘッドに取り付けます。次に AVerVision と顕微鏡に接続します。



カメラと顕微鏡アダプタの矢印が揃って、左に回転してロックされていることを確認します。

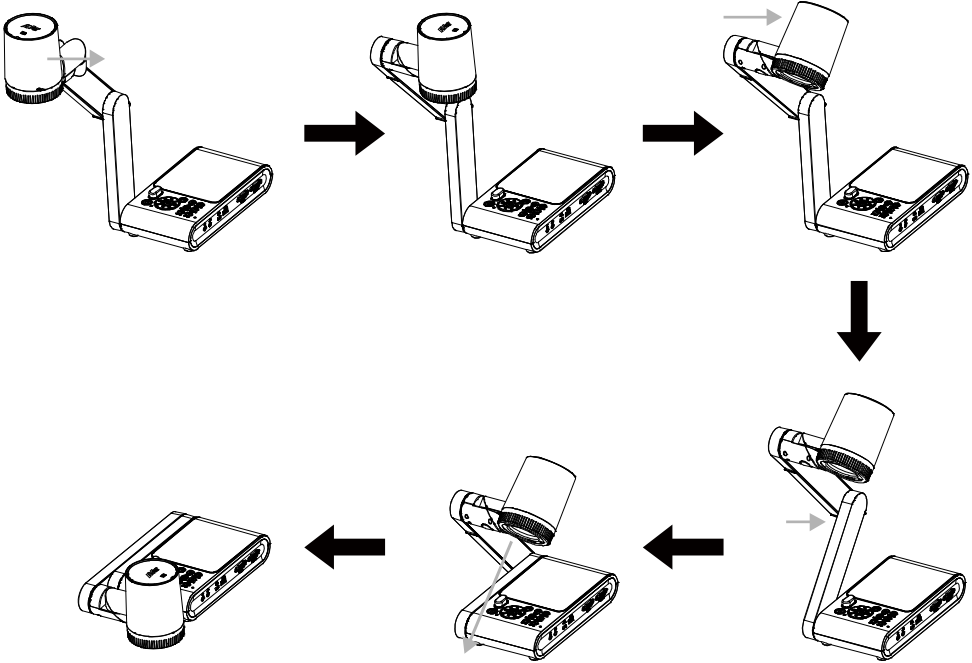


AVerVision M90UHD のセットアップ

本節では、AVerVision M90UHD の調整方法に関する役立つヒントを提供します。

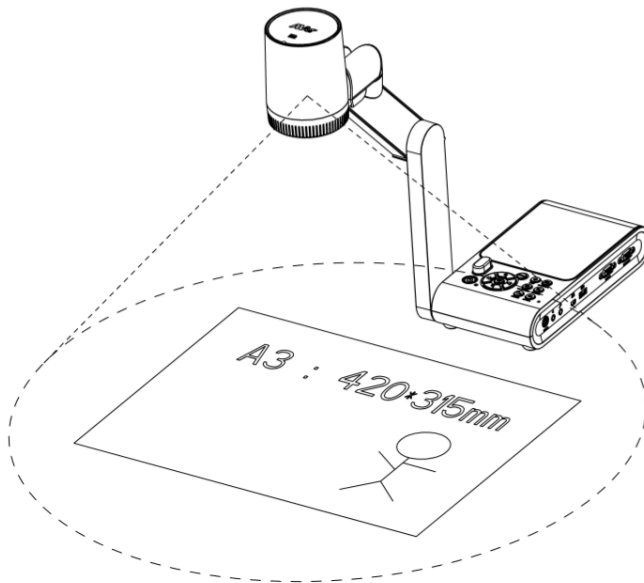
書画カメラの保管

書画カメラを保管する場合は下図の手順に従い、アームを収納してください。

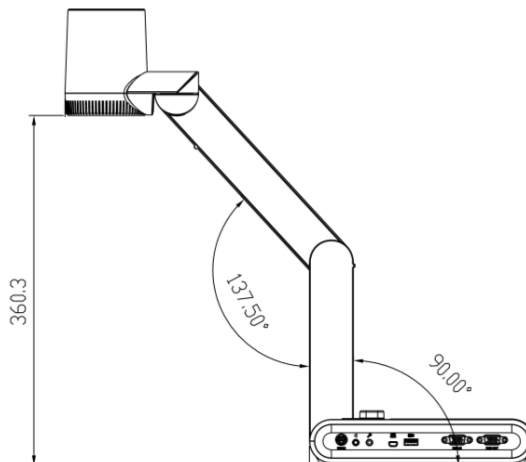


撮影範囲

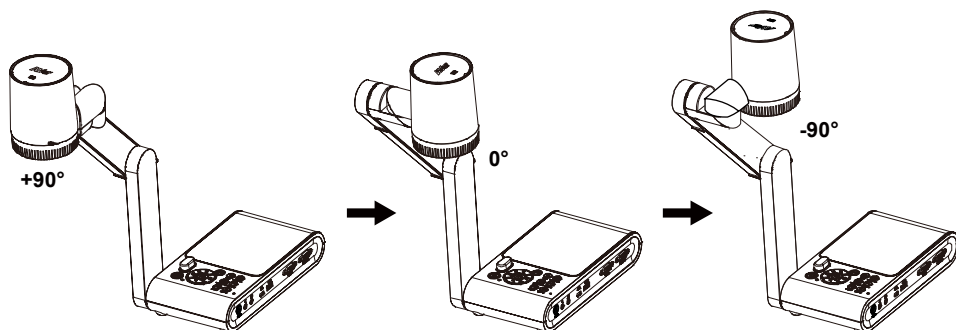
HD プレビュー・モードの撮影可能な範囲は 420×315 mm です。




カメラ位置の高さが 360.3 mm の場合、撮影範囲は A3 サイズになります。



下図のように、カメラ・ヘッドを-90°から+90°まで回転できます。

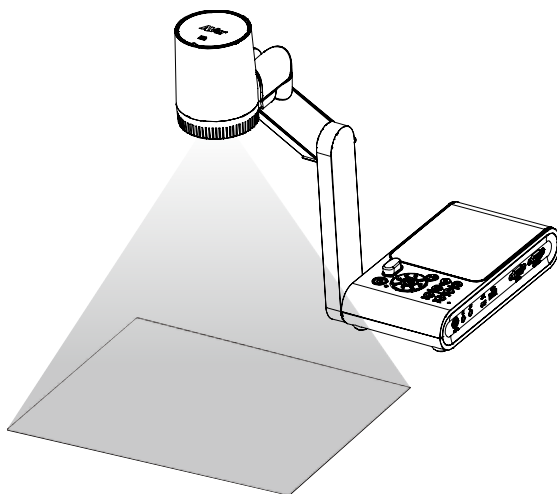
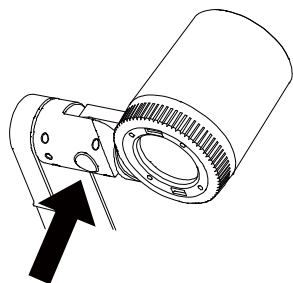


カメラ映像をミラーリングするには、メニューボタンを押し、ミラーリングを選択して、 ボタンを押し、「On オン」を選択します。



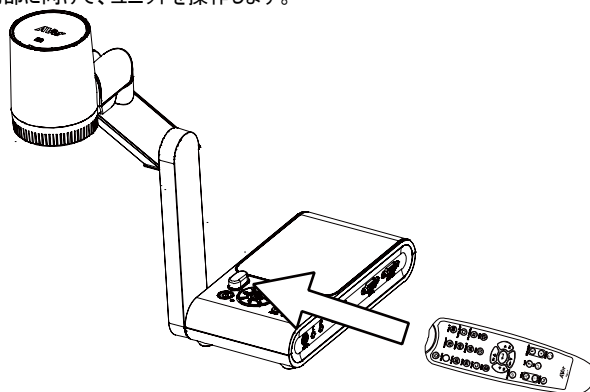
LED ライト

コントロール・パネルまたはリモコンの照明ボタンを押すと、LED ライトのオン／オフ切り替えが可能です。



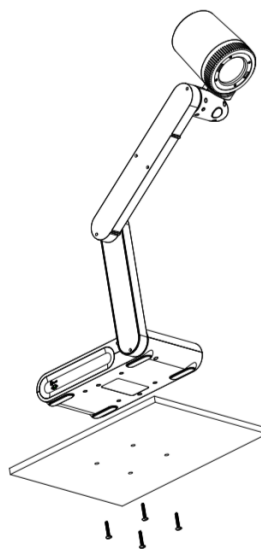
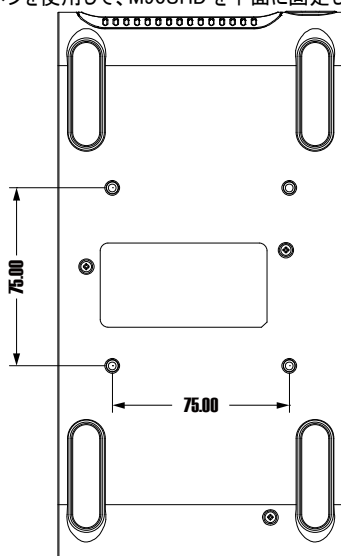
リモコン受光部

リモコンをリモコン受光部に向けて、ユニットを操作します。



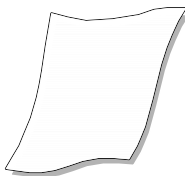
M90UHD を平面に取り付け

下図に示すように、平面上の穴間の中心線水平距離 75 mmを測定してマークします。6 mmの穴に 2 個または 4 個の M4.0 ネジを使用して、M90UHD を平面に固定します。



反射防止シート

反射防止シートは特別なコーティングが施されたフィルムです。光沢のある被写体、または雑誌や写真などの光沢のある表面を表示する場合の反射を防止します。反射防止シートを光沢のある書類の上に乗せるだけで、反射光が低減することができます。

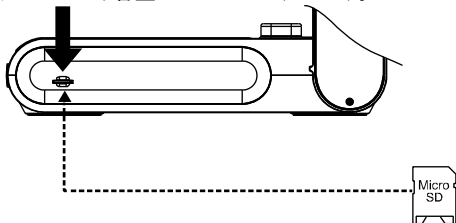


外部メモリ・ストレージ

AVerVision M90UHD は、マイクロ SD メモリ・カードと USB フラッシュ・ドライブの両方を対応しており、より多くの画像撮影とオーディオおよびビデオの録画が可能です。AVerVision M90UHD は、外部ストレージ・メディアの存在を検出し、前回検出されたストレージに自動的に切り替えることができます。外部ストレージが接続されていない場合、撮影したすべての静止画像は、内蔵メモリに保存されます。

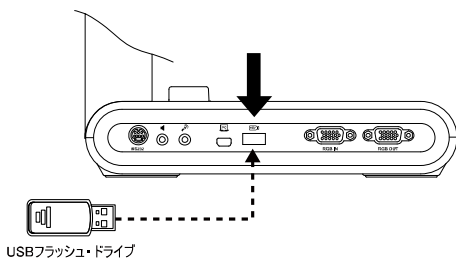
マイクロSDカードの挿入

カードの端子面が下になるように奥まで差し込みます。カードを取り外すには、カード押してその一部を出してから、カードを引き出します。※対応マイクロ SD カード容量: 1GB~32GB (FAT32)。



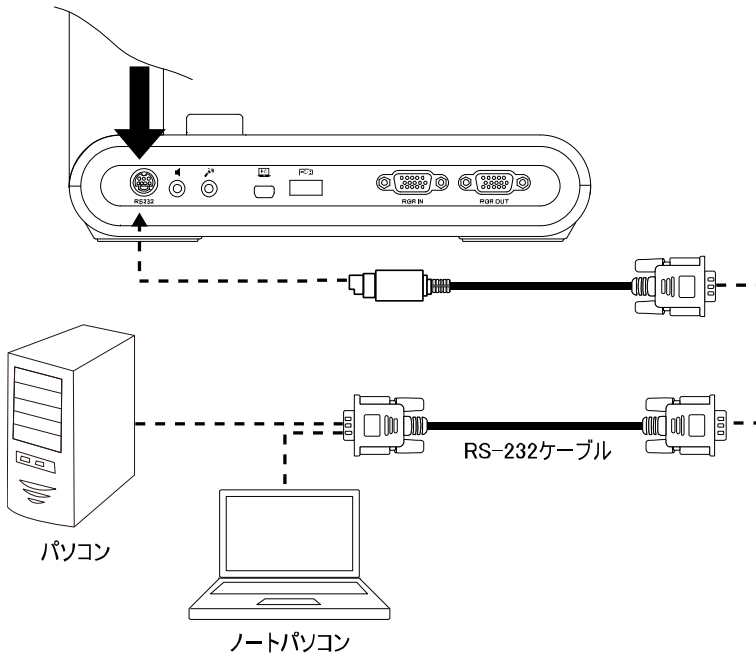
USBフラッシュ・ドライブの挿入

USB フラッシュ・ドライブを USB スロットに接続します。※対応 USB フラッシュ・ドライブ容量: 最大 32GB。ビデオ録画する前に、AVerVision M90UHD による USB フラッシュ・ドライブのフォーマット (FAT32) を推奨します。



RS-232 インターフェースの使用

AVerVision M90UHD は、コンピューターまたは RS-232 接続を介した集中制御パネルを使用して制御できます。



RS-232 送信コマンド表

送信フォーマット : 0x52 + 0x0B + 0x03 + Data[0] + Data[1] + Data[2] + 0x53 + Checksum*1

成功受信フォーマット : 0x53 + 0x00 + 0x02+ *2 + 0x00 + 0x52 + Checksum*4

異常受信フォーマット : 0x53 + 0x00 + 0x01+ *3 + 0x52 + Checksum*5

*1: Checksum = 0x0B xor 0x03 xor Data[0] xor Data[1] xor Data[2] xor 0x53

*2: Receive data ok = 0x0B, Not Command = 0x03

*3: ID error = 0x01, Checksum error = 0x02, Function fail = 0x04

*4: Checksum = 0x00 xor 0x02 xor *2 xor 0x00 xor 0x52

*5: Checksum = 0x00 xor 0x01 xor *3 xor 0x52

*6: Standby Mode Receive Data = 0x51 + 0xFF + 0x01 + 0x0B + 0x51 + 0xA4

Power On Mode Receive Data = No Data Return

*7: Standby Mode Receive Data = 0x51 + 0x00 + 0x01 + 0x0B + 0x51 + 0x5B

Power On Mode Receive Data = 0x53 + 0x00 + 0x02 + 0x0B + 0x00 + 0x52 + 0x5B

機能	Data[0]	Data[1]	Data[2]	Checksum
POWER OFF*6	0x01	0x00	0x00	0x5a
POWER ON*7	0x01	0x01	0x00	0x5b
CAMERA MODE	0x02	0x00	0x00	0x59
PLAYBACK MODE	0x03	0x00	0x00	0x58
PC 1/2	0x04	0x00	0x00	0x5f
IMAGE CAPTURE TYPE: SINGLE	0x05	0x00	0x00	0x5e
IMAGE CAPTURE TYPE: CONTINUOUS	0x05	0x01	0x00	0x5f
CONT. CAPTURE INTERVAL +	0x06	0x00	0x00	0x5d
CONT. CAPTURE INTERVAL -	0x06	0x01	0x00	0x5c
IMAGE CAPTURE RESOLUTION: NORMAL	0x07	0x00	0x00	0x5c
IMAGE CAPTURE RESOLUTION: 13M	0x07	0x01	0x00	0x5d
TIMER START	0x08	0x00	0x00	0x53
TIMER PAUSE	0x08	0x01	0x00	0x52
TIMER STOP	0x08	0x02	0x00	0x51
TIMER SET TIME	0x08	0x03	Value[1 ~ 120]	*1
PREVIEW MODE: MOTION	0x0A	0x02	0x00	0x53
PREVIEW MODE: MICROSCOPE	0x0A	0x03	0x00	0x52
PREVIEW MODE: MACRO	0x0A	0x04	0x00	0x55
PREVIEW MODE: INFINITE	0x0A	0x05	0x00	0x54

機能	Data[0]	Data[1]	Data[2]	Checksum
PREVIEW MODE: NORMAL	0x0A	0x06	0x00	0x57
PREVIEW MODE: HIGH QUALITY	0x0A	0x07	0x00	0x56
PREVIEW CAPTURE	0x0B	0x00	0x00	0x50
PLAYBACK DELETE	0x0C	0x00	0x00	0x57
PLAYBACK FULL SCREEN	0x0D	0x00	0x00	0x56
MIRROR OFF	0x0E	0x00	0x00	0x55
MIRROR ON	0x0E	0x01	0x00	0x54
ROTATE OFF	0x0F	0x00	0x00	0x54
ROTATE ON	0x0F	0x02	0x00	0x56
EFFECT: COLOR	0x10	0x00	0x00	0x4b
EFFECT: B/W	0x10	0x01	0x00	0x4a
EFFECT: NEGATIVE	0x10	0x02	0x00	0x49
CONTRAST INCREASE	0x11	0x00	0x00	0x4a
CONTRAST DECREASE	0x11	0x01	0x00	0x4b
CONTRAST VALUE	0x11	0x02	Value[1 ~ 255]	*1
BRIGHTNESS INCREASE	0x12	0x00	0x00	0x49
BRIGHTNESS DECREASE	0x12	0x01	0x00	0x48
BRIGHTNESS VALUE	0x12	0x02	Value[1 ~ 255]	*1
EXPOSURE: AUTO	0x13	0x00	0x00	0x48
EXPOSURE: MANUAL	0x13	0x01	0x00	0x49
EXPOSURE MANUAL INCREASE	0x14	0x00	0x00	0x4f
EXPOSURE MANUAL DECREASE	0x14	0x01	0x00	0x4e
WHITE BALANCE: AUTO	0x15	0x00	0x00	0x4e
WHITE BALANCE: MANUAL	0x15	0x01	0x00	0x4f
WHITE BALANCE BLUE INCREASE	0x16	0x00	0x00	0x4d
WHITE BALANCE BLUE DECREASE	0x16	0x01	0x00	0x4c
WHITE BALANCE RED INCREASE	0x17	0x00	0x00	0x4c
WHITE BALANCE RED DECREASE	0x17	0x01	0x00	0x4d
FLICKER: 50Hz	0x18	0x00	0x00	0x43
FLICKER: 60Hz	0x18	0x01	0x00	0x42

機能	Data[0]	Data[1]	Data[2]	Checksum
RECORD: OFF	0x23	0x00	0x00	0x78
RECORD: ON	0x23	0x01	0x00	0x79
MOVIE FAST REWIND	0x25	0x00	0x00	0x7e
MOVIE FAST FORWARD	0x25	0x01	0x00	0x7f
MOVIE VOL INC	0x26	0x00	0x00	0x7d
MOVIE VOL DEC	0x26	0x01	0x00	0x7c
STORAGE: EMBEDDED	0x28	0x00	0x00	0x73
STORAGE: SD CARD	0x28	0x01	0x00	0x72
STORAGE: THUMB DRIVE	0x28	0x02	0x00	0x71
FORMAT: EMBEDDED	0x29	0x00	0x00	0x72
FORMAT: SD CARD	0x29	0x01	0x00	0x73
FORMAT: THUMB DRIVE	0x29	0x02	0x00	0x70
OUTPUT RESOLUTION: 1024x768	0x2F	0x01	0x00	0x75
OUTPUT RESOLUTION: 1280x720	0x2F	0x02	0x00	0x76
OUTPUT RESOLUTION: 1920x1080	0x2F	0x03	0x00	0x77
OUTPUT RESOLUTION: 3840x2160@30	0x2F	0x08	0x00	0x7c
OUTPUT RESOLUTION: 3840x2160@60	0x2F	0x09	0x00	0x7d
USB CONNECT: USB CAMERA	0x30	0x00	0x00	0x6b
USB CONNECT: MASS STORAGE	0x30	0x01	0x00	0x6a
BACKUP TO SD CARD	0x31	0x00	0x00	0x6a
BACKUP TO THUMBDRIVE	0x31	0x01	0x00	0x6b
PROFILE SAVE: PROFILE 1	0x32	0x00	0x00	0x69
PROFILE SAVE: PROFILE 2	0x32	0x01	0x00	0x68
PROFILE SAVE: PROFILE 3	0x32	0x02	0x00	0x6b
PROFILE RECALL: PROFILE 1	0x33	0x00	0x00	0x68
PROFILE RECALL: PROFILE 2	0x33	0x01	0x00	0x69
PROFILE RECALL: PROFILE 3	0x33	0x02	0x00	0x6a
SLIDESHOW: OFF	0x34	0x00	0x00	0x6f
SLIDESHOW: ON	0x34	0x01	0x00	0x6e
CAPTURE QUALITY: NORMAL	0x37	0x00	0x00	0x6c

機能	Data[0]	Data[1]	Data[2]	Checksum
CAPTURE QUALITY: HIGH	0x37	0x01	0x00	0x6d
CAPTURE QUALITY: FINEST	0x37	0x02	0x00	0x6e
AUTO FOCUS	0x40	0x00	0x00	0x1b
MENU	0x41	0x00	0x00	0x1a
ARROW - DOWN	0x42	0x00	0x00	0x19
ARROW - UP	0x42	0x01	0x00	0x18
ARROW - LEFT	0x42	0x02	0x00	0x1b
ARROW - RIGHT	0x42	0x03	0x00	0x1a
ENTER	0x43	0x00	0x00	0x18
FREEZE/STOP	0x44	0x00	0x00	0x1f
DEFAULT	0x45	0x00	0x00	0x1e
ZOOM -	0x46	0x00	0x00	0x1d
ZOOM +	0x46	0x01	0x00	0x1c
ZOOM RESET	0x47	0x00	0x00	0x1c
FOCUS TO NEAR	0x48	0x00	0x00	0x13
FOCUS TO FAR	0x48	0x01	0x00	0x12
LAMP OFF	0x49	0x00	0x00	0x12
LAMP ON	0x49	0x01	0x00	0x13
SATURATION INCREASE	0x4B	0x00	0x00	0x10
SATURATION DECREASE	0x4B	0x01	0x00	0x11
SATURATION VALUE	0x4B	0x02	Value[1 ~ 255]	*1
MUTE OFF	0x4C	0x00	0x00	0x17
MUTE ON	0x4C	0x01	0x00	0x16

RS-232 受信コマンド表

送信フォーマット : 0x52 + 0x0A + 0x01 + Data[0] + 0x53 + Checksum

受信フォーマット : 0x53 + 0x0C + 0x01 + ReData[0] + 0x52 + ReChecksum*¹

*1: ReChecksum = 0x0C xor 0x01 xor ReData[0] xor 0x52

*2: Power Status Receive Data = 0x51 + 0xFF + 0x01 + 0x0A + 0x51 + 0xA5

機能	Data[0]	Checksum	ReData[0]
Red Value	0x02	0x5A	Value[0 ~ 255]
Blue Value	0x03	0x5B	Value[0 ~ 255]
Power Status	0x04	0x5C	OFF [^{*2}] 1: ON
Lamp Status	0x05	0x5D	0: OFF 1: ON
Display Status	0x06	0x5E	0: Camera Mode 1: Playback Mode 2: PC-1 Pass Through
Freeze Status	0x08	0x50	0: OFF 1: ON
Brightness Value	0x0A	0x52	Value[1 ~ 64]
Contrast Value	0x0B	0x53	Value[1 ~ 32]
Saturation Value	0x0D	0x55	Value[1 ~ 32]

OSD メニュー

OSD メニューには、「イメージ」、「設定」、「システム」の3つの主要なオプションがあります。

イメージ	明るさ
設定	コントラスト
システム	彩度
	プレビューモード
	画像効果
	ミラー
	露出制御
	露出値
	ホワイトバランス
	WB補正 ブルー
	WB補正 アンバー
	フォーカス

イメージ

イメージ	キャプチャー解像度
設定	キャプチャー画質
システム	キャプチャータイプ
	キャプチャー間隔
	保存先
	フォーマット
	USBからPCへ
	入力ボリューム
	タイマー
	タイマー間隔

設定

イメージ	言語
設定	ビデオ出力解像度
システム	保存
	設定内容保存
	設定内容呼び出し
	電源周波数
	機器情報
	初期化

システム

メニューとサブ・メニューのナビゲート

1. リモコンまたはコントロール・パネルの「メニュー」ボタンを押します。
2. ▶、◀、▲ および ▼ を押して、メニュー・リストから機能を選択します。
3. ◀ を押して決定します。
4. ▲と▼を使用して設定を調整または選択します。
5. ◀ を押してサブ・メニューに入ります。

イメージ

メニュー画面			機能
イメージ	明るさ	+	明るさ 明るさレベルを 0～255 の間に手で調整します。
設定	コントラスト	128	
システム	彩度	—	
	プレビューモード		
	画像効果		
	ミラー		
	露出制御		
	露出値		
	ホワイトバランス		
	WB補正 ブルー		
	WB補正 アンバー		
	フォーカス		
イメージ	明るさ	+	
設定	コントラスト	128	
システム	彩度	—	
	プレビューモード		
	画像効果		
	ミラー		
	露出制御		
	露出値		
	ホワイトバランス		
	WB補正 ブルー		
	WB補正 アンバー		
	フォーカス		
イメージ	明るさ	+	彩度 彩度レベルを 0～255 の間に手で調整します。
設定	コントラスト	128	
システム	彩度	—	
	プレビューモード		
	画像効果		
	ミラー		
	露出制御		
	露出値		
	ホワイトバランス		
	WB補正 ブルー		
	WB補正 アンバー		
	フォーカス		

**撮影モード**

撮影モードを下記項目から選択します。

標準 - 標準の撮影モードです。

モーション - 映像のフレーム数を優先します。

高画質 - 最高画質の高解像度。

顕微鏡 - 顕微鏡接続用に光学ズームを自動的に調整します。

マクロ - 近い被写体を撮影する際に使用します。

無限遠 - 遠い被写体を撮影する際に使用します。

**画像効果**

画像をカラー(24ビット・カラー)、モノクロ(白黒)、またはネガに転換します。

**ミラー**

選択すると、映像の左右が反転します。

**露出制御**

「自動」を選択して、露出値を自動的に調整します。

「手動」を選択すると、露出値の手動設定が有効になります。

**露出値**

手動 - 露出レベルを手動で調整します。露出は 0～99 の間に調整できます。

**ホワイトバランス**

様々な照明条件や色温度に合わせてホワイトバランス設定を選択します。

自動 - ホワイトバランスを自動的に調整します。

手動 - カラー・レベルを手動で調整します。「手動」を選択すると、ホワイトバランスの手動設定が有効になります。

イメージ	明るさ	+
設定	コントラスト	112
システム	彩度	-
	プレビューモード	
	画像効果	
	ミラー	
	露出制御	
	露出値	
	ホワイトバランス	
	WB補正 ブルー	
	WB補正 アンバー	
	フォーカス	

WB 補正ブルー

青みのカラー・レベルを手動で調整します。カラー・レベルは 255 まで調整できます。

イメージ	明るさ	+
設定	コントラスト	113
システム	彩度	-
	プレビューモード	
	画像効果	
	ミラー	
	露出制御	
	露出値	
	ホワイトバランス	
	WB補正 ブルー	
	WB補正 アンバー	
	フォーカス	

WB 補正アンバー

赤みのカラー・レベルを手動で調整します。カラー・レベルは 255 まで調整できます。

イメージ	明るさ	+
設定	コントラスト	104
システム	彩度	-
	プレビューモード	
	画像効果	
	ミラー	
	露出制御	
	露出値	
	ホワイトバランス	
	WB補正 ブルー	
	WB補正 アンバー	
	フォーカス	

フォーカス

カメラのフォーカスを手動で微調整します。

設定

メニュー画面

機能



キャプチャー解像度

撮影解像度を選択します。13M 設定では、撮影解像度は 4208 × 3120 です。

標準を選択すると、撮影解像度は映像の解像度設定と同じ解像度で撮影されます。



キャプチャー画質

撮影時の画質設定を選択します。

最高画質を選択すると、最高画質の撮影画質が得られます。



キャプチャータイプ

キャプチャータイプを選択します。

撮影 - 静止画を1枚のみ、撮影を行います。

連写 - 連続する画像を撮影し、任意のキーを押して連続撮影を停止します。「連続」を選択すると、撮影間隔の設定が有効になります。



キャプチャー間隔

連続撮影の時間間隔を設定します。長さは最大 600 秒 (10 分) に設定できます。

**保存先**

データの保存先を変更します。オーディオとビデオの記録は、内蔵メモリ、SD カード、または USB メモリにのみ保存できます。

**フォーマット**

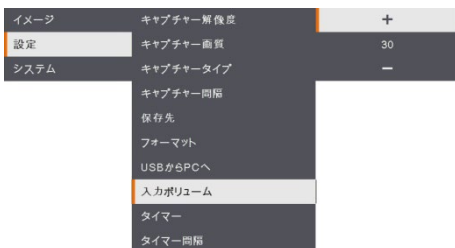
選択したメモリのすべてのデータを削除(フォーマット)します。

**USB から PC へ**

AVerVision M90UHD とコンピューターを USB ケーブルで接続する場合の動作モードを選択します。

カメラ - コンピューターのウェブカメラとして、または付属のソフトウェアと組み合わせて使用して、ビデオを録画し、静止画像を撮影できます。

保存先 - 撮影した画像やビデオをメモリからコンピューターのハードディスクに転送します。

**入力ボリューム**

録音入力または USB オーディオ入力のボリュームを調整します。

**タイマー開始**

タイマーを開始します。タイマーは、カウントダウンがゼロに達すると自動的にカウントアップして、経過時間を示します。

**タイマー一時停止／停止**

計時中にメニューボタンを押すと、タイマーを一時停止または停止します。

**タイマー間隔**

タイマーの時間を最大 2 時間に設定します。

システム

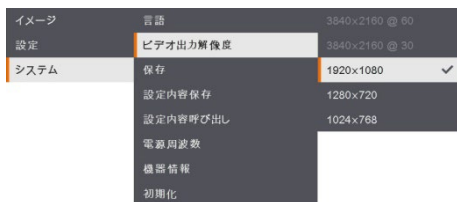
メニュー画面

機能



言語

別の言語を変更して選択します。M90UHD は 12 国言語に対応します。



ビデオ出力解像度

画面に画像を表示する解像度を設定します。出力デバイスの解像度は自動的に検出され、一番高い解像度に設定されます。



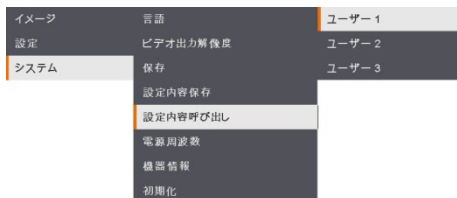
保存

内蔵メモリから SD カードまたは USB メモリに画像をコピーします。

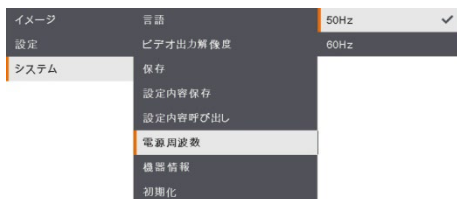


設定内容保存

現在の設定(明るさ、コントラスト、彩度、プレビュー・モードなど)を選択したプロフィール番号に保存します。

**設定内容呼び出し**

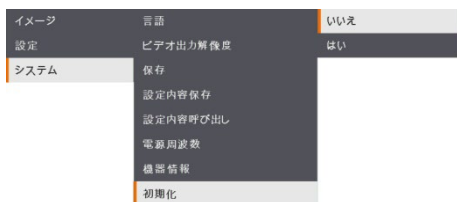
設定を選択したプロファイル番号に戻します。

**電源周波数**

50Hz または 60Hz から選択します。一部のディスプレイ・デバイスは、高いリフレッシュ・レート进行处理できません。出力が別のリフレッシュ・レートに切り替えられると、画像が数回ちらつきます。

**機器情報**

製品情報を表示します。

**初期化**

すべての設定を工場出荷時の初期値に戻します。保存されたすべての構成が削除されます。

再生

再生機能を使用して、保存された画像またはビデオを設定できます。

メニュー画面

機能



スライドショー

スライドショーを開始または一時停止します。



間隔

画像または動画の再生間隔を設定します。



保存先

内蔵メモリ、SD カード、USB メモリなどの保存先から画像またはビデオを選択します。



全て削除

保存されたすべての画像または動画を削除するには、このオプションを選択します。

撮影した画像やビデオのコンピューターへの転送

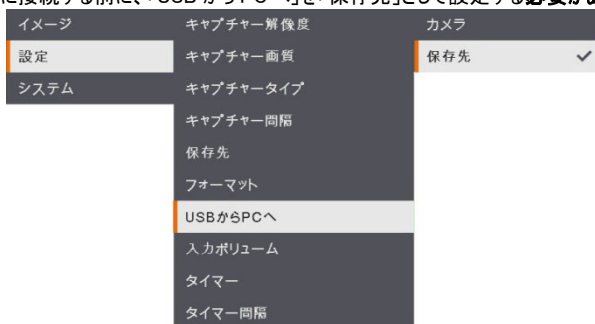
これにより、撮影した画像を内蔵メモリ、SD カードまたは USB フラッシュ・ドライブからコンピューターに転送できます。画像やビデオを保存する二つの方法：

- 内蔵メモリ+SD カード
- 内蔵メモリ+USB フラッシュ・ドライブ



USB ケーブルを接続する前に、以下の指示に必ず従ってください。

- USB ケーブルに接続する前に、「USB から PC へ」を「保存先」として設定する必要があります。



- 画面の右下隅に「ストレージ」が表示された時点で、USB ケーブルを接続します。
- USB ケーブルを接続すると、システムは自動的に新しいリムーバブル・ディスクを検出します。撮影した映像またはビデオを **M90UHD 内蔵メモリ、SD カードまたは USB フラッシュ・ドライブ**からコンピューターのハードディスクに転送できます。

主な仕様

画像

センサー	1/3.06" CMOS
画素数	1300 万画素
フレーム・レート	最大 60fps
ホワイトバランス	自動／手動
露出	自動／手動
画像表示モード	標準／モーション／高画質／顕微鏡／マクロ／インフィニティ
画像効果	カラー／モノクロ／ネガ
VGA 出力	1280 × 720／1024 × 768／1080P
HDMI 出力	4K／1080p／720p
内蔵メモリ	200 枚

光学

フォーカス	自動／手動
-------	-------

最大撮影エリア	420 mm × 315 mm
ズーム方式	最大 322 倍 (14 倍光学ズーム、23 倍デジタルズーム)

電源

電源	DC 5V/3A, AC 100-240V, 50-60Hz
消費電力	10 ワット (ランプ点灯時)、9 ワット (ランプ消灯時)

照明

ランプ種類	LED 照明
-------	--------

入力／出力

HDMI 入力	あり (HDMI、パススルー)
HDMI 出力	あり (HDMI、パススルー)
VGA 入力	あり (15 ピン D-sub、パススルー)
VGA 出力	あり (15 ピン D-sub、パススルー)
USB-A ポート	1 (USB フラッシュ・ドライブ用のタイプ A)
USB-B ポート	1 (ミニ B レセプタクル)
マイク	内蔵
SD カード・スロット	1 (マイクロ SD カード、32GB)
スピーカー出力	フォン・ジャック
マイクフォン	マイクロホン入力
DC 5V 入力	電源ジャック
Kensington ロック	あり
*RS-232 (オプション)	ミニ DIN ジャック (RS-232 アダプター・ケーブルを使用、オプション)

寸法、重量

使用時 (L × W × H)	481.3 mm × 159 mm × 469.9 mm
収納時 (L × W × H)	319.0 mm × 176 mm × 112 mm
本体重量	2.2 +/- 0.5 kg

外部ストレージ

マイクロ SD カード	最大 32GB (FAT32)
USB フラッシュ・ドライブ	最大 32GB (FAT32)

* 上記仕様は予告なく変更される場合があります。

トラブルシューティング

この節では、AVerVision M90UHD の使用中に一般的な問題を解決する方法について解説します。

プレゼンテーション画面に画像が表示されません。

1. 本書に記述されたすべてのコネクタが正しく接続されているかどうか確認してください。
2. ディスプレイ出力装置側の解像度設定を確認してください。
3. AVerVision M90UHD 経由で、ノートパソコンまたはコンピューターから表示出力装置にパススルー出力を行う場合、コンピューターの VGA (VGA) 出力から AVerVision M90UHD の VGA 入力へのケーブル接続を確認し、AVerVision M90UHD が PC モードであることを確認してください。
4. HDMI ディスプレイ出力の場合、ディスプレイ・デバイスと M90UHD の両方が同期するのを待つ間に遅延が発生します。画面にカメラの画像が表示されるまで、4~7 秒ほどお待ちください。

プレゼンテーション画面に歪んだ画像や不鮮明な画像が表示されます。

1. 可能であれば、変更した設定をすべて元の工場出荷時のデフォルト設定にリセットしてください。リモコンの「初期化」ボタンを押すか、OSD メニュー「システム」タブで「デフォルト」を選択します。
2. 可能な場合は、明るさまたはコントラストのメニュー機能を使用し、歪みを修正してください。
3. 不鮮明な画像や焦点が合わない画像が表示された場合は、コントロール・パネルまたはリモコンの「オートフォーカス」ボタンを押してください。

プレゼンテーション画面にコンピューター信号が表示されません。

1. ディスプレイ・デバイス、AVerVision M90UHD、およびコンピューター間のすべてのケーブル接続を確認します。
2. コンピューターの電源を入れる前に、まず PC を AVerVision M90UHD に接続します。
3. ノートパソコンの場合、FN+F5 を繰り返し押して表示モードを切り替え、プレゼンテーション画面にコンピューター画像を表示します。別のコマンドについては、ノートパソコンのマニュアルを参照してください。

カメラ・モードから PC モードに切り替えると、プレゼンテーション画面にコンピューターやノートパソコンのデスクトップ画像が正しく表示されません。

1. コンピューターまたはノートパソコンに戻り、デスクトップにマウス・カーソルを置いて右クリックし、「プロパティ」を選択してから、「設定」タブを選択してください。モニター「2」をクリックして、「Windows デスクトップをこのモニターに拡張する」チェックボックスをオンにします。
2. 次に、もう一度コンピューターまたはノートパソコンに戻り、マウス・カーソルをデスクトップ上に置いて、もう一度右クリックします。
3. 今回は「グラフィックスオプション」、「出力先」、「インテル®デュアルディスプレイクローン」の順に選択し、「モニター+ノートブック」を選択します。
4. これらの手順を実行すると、コンピューターまたはノートパソコン、およびプレゼンテーション画面でも同じデスクトップ画像を表示させることができます。

AVerVision M90UHD は挿入された USB フラッシュ・ドライブを検出できません。

USB フラッシュ・ドライブが正しく挿入され、正しいフォーマット形式であることを確認してください。フォーマット形式は FAT32 形式のみ対応します。

製品保証について

該当する製品の購入日から「Warranty Period of AVer Product Purchased (購入された AVer 製品の保証期間)」セクションに定める期間、AVer Information Inc. (「AVer」)は、該当する製品 (「製品」)が、AVer の製品向け文書に実質的に適合し、通常の使用では、その製造とコンポーネントに材料および仕上りの欠陥がないことを保証します。この契約で使用される「使用者」は使用者個人、または該当の製品を使用またはインストールする対象となる事業体を意味します。この制限付き保証は本来の購入者としての使用にのみ限定されます。前述の場合を除き、製品は「現状のまま」提供されます。AVer はいかなる状況でも、使用者が問題または中断なく製品を操作できること、または製品が使用者の目的に適合していることを保証するものではありません。この節における使用者の唯一の救済および AVer の全責任は、AVer の選択で、同じまたは同等の製品で、製品の修理または交換を行うことです。この保証は、(a) 製品のシリアル番号が判別不能だったり、修正されたり、外されたりした場合、または (b) 本製品と一緒に使用されるカートン、ケース、バッテリー、キャビネット、テープ、アクセサリには適用されません。この保証は、(a) 事故、乱用、誤用、粗略な取扱い、火災、水害、落雷などの自然災害、商業的または工業的使用、不適切な改造、製品に含まれる指示に従わないこと、(b) 製造元の担当者以外の者によるサービスの誤用、(c) 出荷による損傷 (そうした賠償は運送業者に請求しなければならない)、または (d) 製品の不具合に関係のない他の原因によって、損傷、機能悪化、異常が生じた製品には適用されません。製品を修理または交換する保証期間は、(a) 本来の保証期間、または (b) 修理または交換した製品の出荷日から 30 日以内とします。

保証の制限

AVer はいかなる第三者に対しても保証する責任を負いません。製品の使用または不使用によって使用者様に要求されたすべての賠償、損害、返済、費用、弁護士費用については、使用者の責任となります。この保証は、製品が AVer の仕様に従って設置、操作、保守、使用された場合にのみ適用されます。特に、保証は、(i) 事故、異常な物理的、電氣的、電磁氣的ストレス、粗略な取扱い、誤用、(ii) AVer の仕様の範囲を超える電力の変動、(iii) AVer または同社の正規代理店によって提供されたのではないアクセサリやオプションの併用、または (iv) AVer または同社の正式代理店以外の者による製品の設置、改造、修理によって引き起こされるいかなる障害にも適用されません。

保証の放棄

AVer は、明白に規定されている場合を除き、法律で最大限に認められる範囲で、明示的か、暗示的か、法令によるかを問わず、品質の満足、売買の過程、取引利用や慣行や商品性の暗黙的保証、特定の目的への適合性、第三者の非侵犯を含む、またはそれらに限定されない製品に関する他のすべての保証を放棄します。

責任の限定

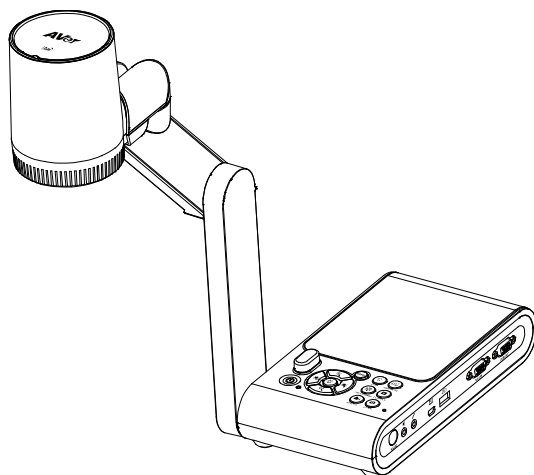
AVer はいかなる事態が発生しようとも、過失または他の法的理論を含む契約または不法行為に基づき、この制限付き保証、またはいかなる製品の使用または性能に関連して発生した利益、データ、売上、利用の損失、またはビジネスの中断、または代替商品やサービスの提供コストを含む、またはそれに限定されない、直接的、間接的な、特殊な、偶発的な、深刻な、必然的な損害および損失に対して、そのような損害の可能性が事前に何らかの形で指摘されていたとしても、責任を負わないものとします。いかなる形態の行為に起因するものであれ、損害に対する AVer の責任は、責任が求められる特定の製品に対して使用者が AVer に支払った額を超えないものとします。

準拠法と使用者の権利

この保証は使用者に特定の法的権利を付与します。



保証期間については、保証書を参照してください。



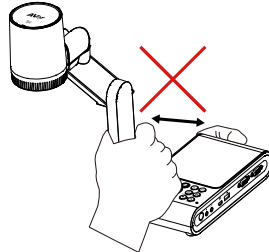
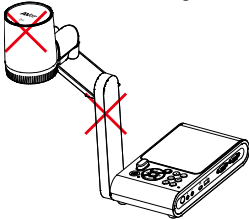
AVerVision M90UHD

Bedienungsanleitung

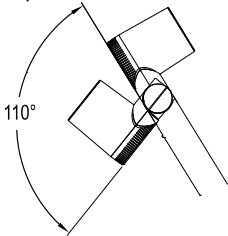


WARNUNG

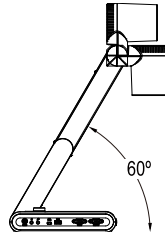
- Zur Vermeidung der Brandgefahr bzw. von Elektroschocks setzen Sie das Gerät weder Regen noch Feuchtigkeit aus. Die Gewährleistung verfällt, wenn am Produkt unautorisierte Änderungen vorgenommen werden.
- Die Kamera keinen Schlägen oder starker Vibration aussetzen.
- Die richtige Stromspannung wählen, um Schäden an der Kamera zu vermeiden.
- Die Kamera muss so aufgestellt werden, dass niemand auf das Kabel treten kann, weil das Kabel eventuell ausfranst und die Drähte oder der Stecker beschädigt werden können.
- Um die Kamera zu bewegen, halten Sie sie mit beiden Händen an der Unterseite fest. Die Kamera nicht mithilfe des Objektivs oder flexiblen Arms bewegen.
- Den mechanischen Arm und das Kamerateil nicht in die entgegengesetzte Richtung ziehen.



- Zum Schutz vor Verschleiß den Kamerakopf nicht weiter als 110° drehen.



- Zum Schutz vor Kameraverschleiß den mechanischen Arm maximal 60° abwärts neigen.





Das symbol mit der durchgestrichenen abfalltonne bedeutet, dass dieses produkt nicht mit dem haushüll entsorgt werden darf. Stattdessen müssen altgeräte zum recycling von elektrischen und elektronischen altgeräten zu speziellen Sammelstellen gebracht werden. weitere informationen über Annahmestellen zur entsorgung von altgeräten zu recyclingzwecken erhalten sie von ihrem entsorgungsdienstleister oder in dem geschäft, in dem sie das gerät erworben haben.

Warnung

Dies ist ein Produkt der Klasse A. In Wohnumgebungen kann dieses Produkt Funkstörungen verursachen. In diesem Fall obliegt es dem Anwender, angemessene Maßnahmen zu ergreifen.

Fernbedienung Sicherheitshinweise für die Batterien

- Lagern Sie die Batterien an einem kühlen und trockenen Platz.
- Werfen Sie gebrauchte Batterien nicht in den Hausmüll. Beseitigen Sie die Batterien an den ausgewiesenen Sammelstellen oder bringen Sie sie gegebenenfalls in den Laden zurück.
- Entfernen Sie die Batterien aus dem Gehäuse, falls Sie die Fernbedienung längere Zeit nicht benutzen. Auslaufende Batterien und Korrosion können die Fernbedienung beschädigen, achten Sie auf sichere Entsorgung.
- Verwenden Sie keine alten und neuen Batterien gleichzeitig.
- Verwenden Sie keine unterschiedlichen Typen gemeinsam: Alkali, Normal (Kohle-Zink) oder wiederaufladbare (Nickel-Cadmium).
- Werfen Sie gebrauchte Batterien nicht ins Feuer.
- Versuche Sie nicht die Batterien kurzzuschließen.

HAFTUNGSAUSSCHLUSS

Zusicherungen und Gewährleistungen, weder ausdrücklich noch angenommen, hinsichtlich des Inhalts dieser Dokumentation, der Qualität, Leistung, Marktgängigkeit oder Eignung für einen bestimmten Zweck. Die Informationen in dieser Anleitung wurden sorgfältig auf ihre Gültigkeit hin überprüft, allerdings übernehmen wir keine Verantwortung für Ungenauigkeiten. Die Informationen in diesem Dokument können sich, ohne dass darauf hingewiesen wird, ändern.

WARENZEICHEN

AVerVision ist eine eingetragene Marke der AVer Information Inc. IBM PC ist eine eingetragene Marke der International Business Machines Corporation. Macintosh ist eine eingetragene Marke der Apple Computer, Inc. Microsoft ist eine eingetragene Marke, Windows ist eine Marke der Microsoft Corporation. Sämtliche anderen in dieser Dokumentation erwähnten Produkte oder Firmennamen dienen lediglich Identifizierungs- und Anschauungszwecken und können Marken oder eingetragene Marken ihrer jeweiligen Besitzer sein.

URHEBERRECHT

© 2023 by AVer Information Inc. Alle Rechte vorbehalten. | 9. August 2023

Kein Teil dieser Publikation darf in jedweder Form und durch jedwede Mittel ohne schriftliche Genehmigung von AVer Information Inc. reproduziert, übertragen, umgesetzt, in Abrufsystemen gespeichert oder in jegliche Sprachen übersetzt werden.

Mehr Hilfe

Für FAQs, technische Unterstützung, Software und für den Download der Bedienungsanleitung besuchen Sie bitte:

Download Center:

<https://www.aver europe.com/download-center>

Technischer Support:

<https://www.aver europe.com/technical-support>



Kontaktinformationen

AVer Information Europe B.V.

<https://www.aver europe.com>

Westblaak 134, 3012 KM, Rotterdam, The Netherlands

Tel: +31 (0) 10 7600 550

Technischer support: eu.rma@aver.com

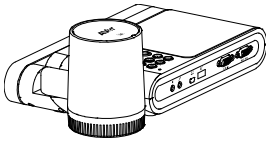
Inhaltsverzeichnis

Inhalt der Verpackung	1
Optionales Zubehör.....	1
Erste Schritte mit der AVerVision M90UHD.....	2
Rechte Seite.....	3
Linke Seite.....	3
Rückseite.....	5
Bedienfeld	6
Fernbedienung	8
Verbindungsherstellung.....	10
Anschluss an die Stromversorgung	10
Computer-Anschluss über USB.....	11
Anschluss an einen Monitor oder LCD-/DLP-Projektor mit VGA/HDMI-Ausgang..	13
Anschluss an einen Computer mit VGA/ HDMI-Eingang.....	13
Anschluss eines Verstärkerlautsprechers.....	16
Anschließen eines Mikrofons.....	16
Anschluss an ein Mikroskop	17
Einrichtung von AVerVision M90UHD	19
Aufbewahrung der Dokumentkamera	19
Aufnahmebereich	20
Overhead-Licht.....	23
Infrarotsensor	24
M90UHD-Montage auf einer flachen Oberfläche.....	24
Blendschutz.....	25
Externer Speicher.....	25
Einlegen der Micro-SD-Karte.....	25
Verbinden Sie ein USB Flash-Laufwerk.....	25
RS232-Anschlussdiagramm	26
RS-232 Senden-Befehl-Tabelle	27
RS-232 Get-Befehl-Tabelle	31
OSD-MENÜ	32

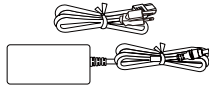
Navigation im Menü und im Submenü	33
Bild	33
0B0BHelligkeit	33
1B1BKontrast.....	33
2B2BSättigung.....	33
3B3BVorschaumodus	34
4B4BEffekt.....	34
5B5BSpiegeln	34
6B6BBelichtungseinrichtung.....	35
7B7BManuelle Beleuchtung.....	35
8B8BWeißabgleich-Einrichtung	35
9B9BManuell WB Blau	36
10B10BManuell WB Rot.....	36
11B11BFokus.....	36
Einstellung.....	37
12B12BErfassungsauflösung.....	37
13B13BErfassungsqualität	37
14B14BErfassungstyp	37
15B15BErfassungsintervall.....	37
16B16BSpeicherung.....	38
17B17BFormat.....	38
18B18BUSB an PC.....	38
19B19BMikrofonlautstärke	38
20B20BStart Timer	39
21B21BPause/Stopp-Timer	39
22B22BTimer-Intervall	39
System	40
23B23BSprache.....	40
24B24BAusgabeeanzeige	40
25B25BSicherung.....	40
26B26BEinstellung speichern	40
27B27BEinstellung aufrufen	41
28B28BFlicker	41

29B29BInformation	41
30B30BDefauölt.....	41
Wiedergabe	42
31B31BDiashow	42
32B32BIntervall	42
33B33BSpeicher	42
34B34BAlle löschen.....	42
Transfer Captured Images/Videos to a computer.....	43
Technische Daten	44
Bild.....	44
Optik	44
Leistung	44
Beleuchtung.....	44
Eingang/Ausgang	44
Abmessungen.....	44
Externer Speicher	45
Fehlerbehebung	46
Garantie	47

Inhalt der Verpackung



M90UHD



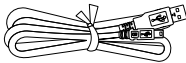
**Netzadapter
Netz Kabel***



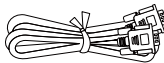
Fernbedienung



AAA-Batterie (x2)



USB-Kabel



VGA-Kabel



Garantiekarte



Kurzanleitung

*Das Netzkabel variiert abhängig von den im Verkaufsland üblichen Steckdosen.

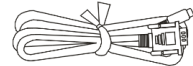
Optionales Zubehör



Tragetasche



Blendschutz



RS-232-Kabel

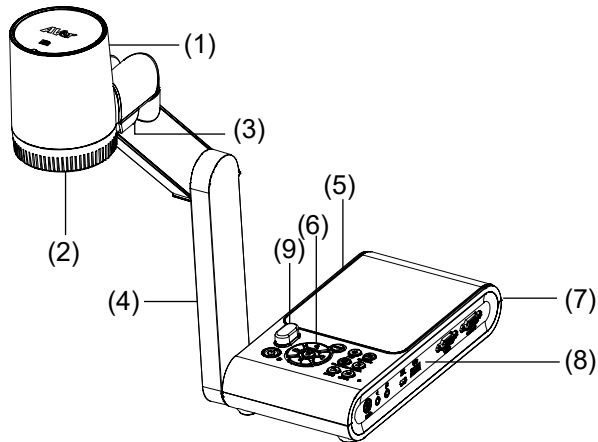


Anschlussplatte



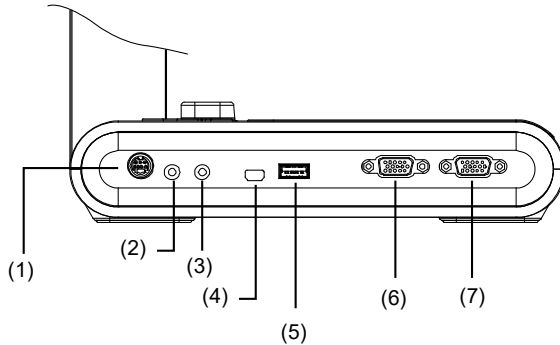
**Mikroskop-Adapter
(28-mm und 34-mm-Gummikupplung beiliegend)**

Erste Schritte mit der AVerVision M90UHD



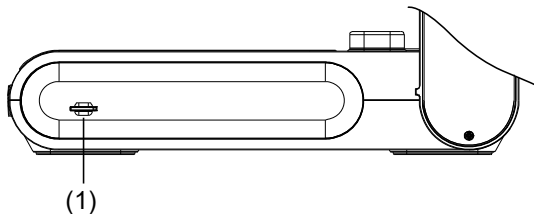
Name	Funktion
(1) Kamerakopf	Enthält den Kamerasensor.
(2) Kameraobjektiv	Bildfokussierung in der Kamera.
(3) LED-Leuchte	Beleuchtung zur Verbesserung der Lichtverhältnisse.
(4) Mechanischer Arm	Verstellbarer Sichtwinkel.
(5) Linke Seite	Micro SD-Kartenschlitz.
(6) Bedienfeld	Einfacher Zugriff auf viele Funktionen.
(7) Rückseite	Anschlüsse für Strom, HDMI, Ausgang/Eingang für externes Anzeigegerät und Kensington-Diebstahlsicherung.
(8) Rechte Seite	Anschlüsse für Computer, VGA Eingang/Ausgang für externes Anzeigegerät und USB-Anschluss, Mini-USB, Mic-Ein, Line Out und RS232 (optional).
(9) IR-Sensor	Empfang von Fernbedienungsbefehlen.

Rechte Seite



Name	Funktion
(1) RS232-Anschluss	Schließen Sie den Computer über diesen Anschluss mit einem RS232-Kabel an. Weiter Information finden Sie unter RS232-Anschlussdiagramm . (Optional)
(2) Line out-Anschluss	Schließen Sie einen Verstärkerlautsprecher an, um aufgezeichnete Audio- und Videoclips wiederzugeben.
(3) MIC EIN-Anschluss	Anschließen an eines externen Mikrofons.
(4) USB Mini Port	Verbindung mit dem USB-Computeranschluss mit dem USB-Kabel und Verwendung von AVerVision M90UHD als USB-Kamera oder Übertragung der Bild-/Videoaufnahmen von der Speicherquelle an den Computer.
(5) USB-Anschluss	Verbinden Sie ein USB-Flash-Laufwerk und speichern Sie die Bilder/Videos direkt von diesem USB-Flash-Laufwerk.
(6) VGA EIN-Anschluss	Signaleingang von einem Computer oder einer anderen Stromquellen ausschließlich über den VGA-OUT-Anschluss. Stellen Sie die Verbindung zwischen dem VGA-Ausgangsanschluss und Computer über diesen Anschluss her.
(7) VGAAUS-Anschluss	Verbinden Sie die AVerVision M90UHD mit einem VGA-Kabel mit einem Anzeigegerät.

Linke Seite

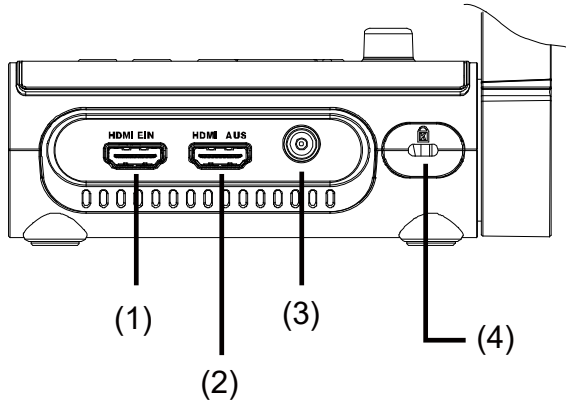


Name	Funktion
(1) Micro SD-Kartenschlitz	Führen Sie die Mikro SD-Karte mit dem Etikett nach oben ein. Auf der Micro-SD-Karte können das erfasste Bild und die

Name	Funktion
------	----------

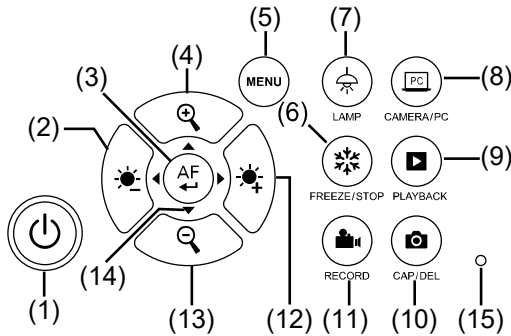
aufgezeichnete Videodatei gespeichert werden.

Rückseite





Name	Funktion
(1) HDMI EIN-Anschluss	Anschluss der externen HDMI-Quelle als Eingang über diesen Anschluss. Stellen Sie die Verbindung zwischen dem HDMI-Ausgangsanschluss und Computer über diesen Anschluss her.
(2) HDMI AUS-Anschluss	Videosignalausgabe vom Hauptsystem an einen interaktiven Flachbildschirm, LCD-Monitor oder LCD/DLP-Projektor mit HDMI-Schnittstelle und HDMI-Kabel.
(3) DC 5V	Verbinden Sie das Netzteil mit diesem Anschluss.
(4) Diebstahlsicherungsschlitz	Befestigung des mit Kensington kompatiblen Sicherheitsschlosses oder der Diebstahlsicherung.

Bedienfeld

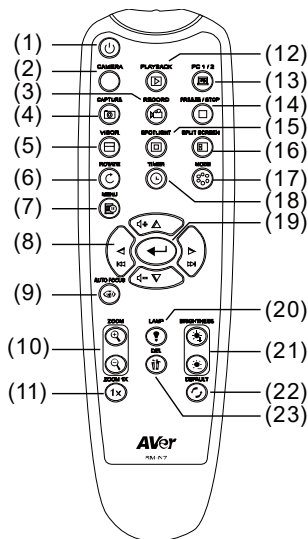


Name	Funktion
(1) STROM	Das Gerät einschalten, in den Standby-Modus schalten
(2)	Helligkeit verringern.
(3)	<ul style="list-style-type: none"> - Treffen Sie eine Auswahl im Wiedergabemodus und im OSD-Menü. - Start/Pause Videowiedergabe. - Automatische Fokusjustierung.
(4)	Bildvergrößerung in der Kamera und des Bildes im Wiedergabemodus.
(5) MENÜ	OSD-Menü und Submenü öffnen und beenden.
(6) EINFRIEREN/STOPP	<ul style="list-style-type: none"> - Das Bild im Kameramodus anhalten oder fortsetzen. - Stopp der Audio- und Videowiedergabe im Wiedergabemodus
(7) LAMPE	Overhead-Licht ein- und ausschalten.
(8) KAMERA / PC	Umschaltung des Videosignals an Kamera oder Computer vom VGA- oder HDMI-IN-Anschluss.
(9) WIEDERGABE	Ansicht und Wiedergabe von Standbildern und Videodateien.
(10) ERF/ENTF	<ul style="list-style-type: none"> - Bild im Kameramodus erfassen. Halten Sie diese Taste zum Beenden im kontinuierlichen Erfassungsmodus gedrückt. - Markiertes Bild/Video im Wiedergabemodus löschen.
(11) AUFNAHME	Start/Stopp der Audio- und Videoaufnahme. Die Audio- und Videoaufnahmen können nur auf einer SD-Karte oder einem USB-Flash-Laufwerk gespeichert werden. Siehe Externer Speicher .

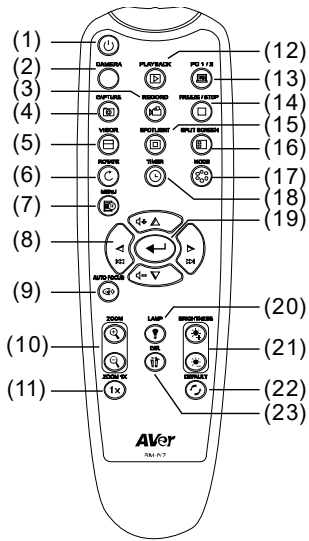
Name	Funktion
(12) 	Mehr Helligkeit.
(13) 	Bild in der Kamera und im Wiedergabemodus verkleinern.
(14) ▲, ▼, ◀ und ▶	<ul style="list-style-type: none"> - Bild im Live-Modu schwenken und einzoomen (über dem digitalen Zoom-Niveau). - Auswahl der Optionen im OSD-Menü - Mit ▲ & ▼ Lautstärke der Videoausgabe erhöhen oder verringern. - Mit ◀ und ▶ Video zurück oder vorwärts
(15) Eingebautes Mikrofon	Audioaufnahme während der Videoclip-Aufnahme. Mono-Aufnahme.

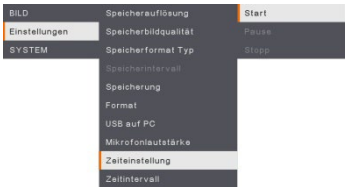
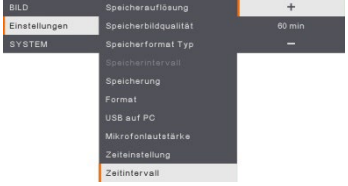

Fernbedienung

Für die Fernbedienung werden zwei (beiliegende) „AAA“-Batterien benötigt. Diese müssen richtig eingelegt werden. Sie können mit der Fernbedienung auf alle Funktionen der AVerVision M90UHD zugreifen.



Name	Funktion
(1) STROM	Das Gerät einschalten/in den Standby-Modus schalten
(2) KAMERA	Anzeige des Videosignals von der eingebauten Kamera im Kameramodus.
(3) AUFNAHME	Start/Stopp der Audio- und Videoaufnahme. Videoaufnahmen können nur auf einer SD-Speicherkarte oder einem USB Flash-Laufwerk gespeichert werden.
(4) ERFASSEN	Standbilderfassung im Kameramodus. Halten Sie diese Taste im kontinuierlichen Erfassungsmodus gedrückt, um zu beenden.
(5) VISOR	Nicht unterstützt
(6) DREHEN	Das Bild im Kamera- und im Wiedergabemodus um 0/180 Grad drehen.
(7) MENÜ	Das OSD-Menü öffnen und beenden.
(8) ▲, ▼, ◀ und ▶	<ul style="list-style-type: none"> - Bild im Live-Modus schwenken und einzoomen (über dem digitalen Zoom-Niveau). - Auswahl der Optionen im OSD-Menü - Mit ▲ & ▼ Lautstärke der Videoausgabe erhöhen oder verringern. - Mit ◀ und ▶ Video zurück oder vor
(9) AUTOFOKUS	Automatische Fokussjustierung.
(10) ZOOM +/-	Vergrößern/verkleinern der Bildvergrößerung im Kamera- und im Bildanzeigemodus.
(11) ZOOM 1-FACH	Zoom-Level auf 100 % zurücksetzen.
(12) WIEDERGABE	Ansicht erfasster Bilder/Videos aus dem Speicher
(13) PC 1/2	Ausgabe des Videosignals über den VGA/HDMI-In-Anschluss der M90UHD im PC-Modus.
(14) EINFRIEREN/ST OPP	<ul style="list-style-type: none"> - Einfrieren des Live-Bildes. - Stoppen der Videowiedergabe.




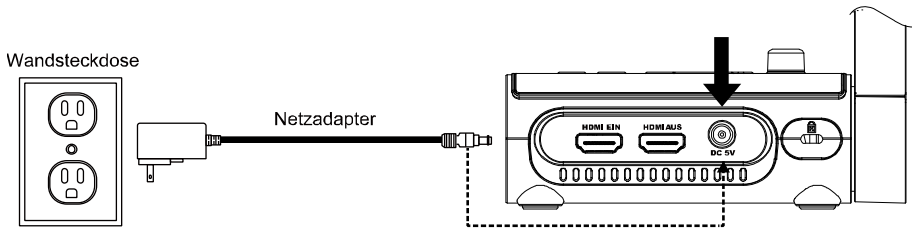
Name	Funktion
(15) SPOTLIGHT	Nicht unterstützt
(16) GETEILTER BILDSCHIRM	Nicht unterstützt
(17) MODUS	Drücken Sie diese Taste, um zwischen den Modi „Normal“; „High Frame“, „Hohe Qualität“, „Mikroskop“, „Unendlich“ oder „Makro“ umzuschalten.
(18) TIMER	Aufruf des Timer-Submenüs. Auswahl für Start/Pausieren/Stoppen des Timer-Countdowns.
	
	Auswahl des Timer-Intervalls für die Festlegung der Timer-Dauer.
	
(19) 	- Treffen Sie eine Auswahl im Wiedergabemodus und im OSD-Menü. - Start/Pause Videowiedergabe.
(20) LAMPE	Overhead-Licht ein- und ausschalten.
(21) HELLIGKEIT +/-	Helligkeit anpassen.
(22) STANDARD	Zurücksetzen auf die Werkseinstellungen.
(23) ENT	Markiertes Bild/Video im Wiedergabemodus löschen.

Verbindungsherstellung

Vergewissern Sie sich bitte, dass die Stromversorgung aller Geräte ausgeschaltet ist. Wenn Sie sich hinsichtlich der Anschlüsse nicht sicher sollten, ziehen Sie bitte die nachstehenden Abbildungen sowie das Handbuch des Gerätes heran, das Sie mit der AVerVision M90UHD verbinden.

Anschluss an die Stromversorgung

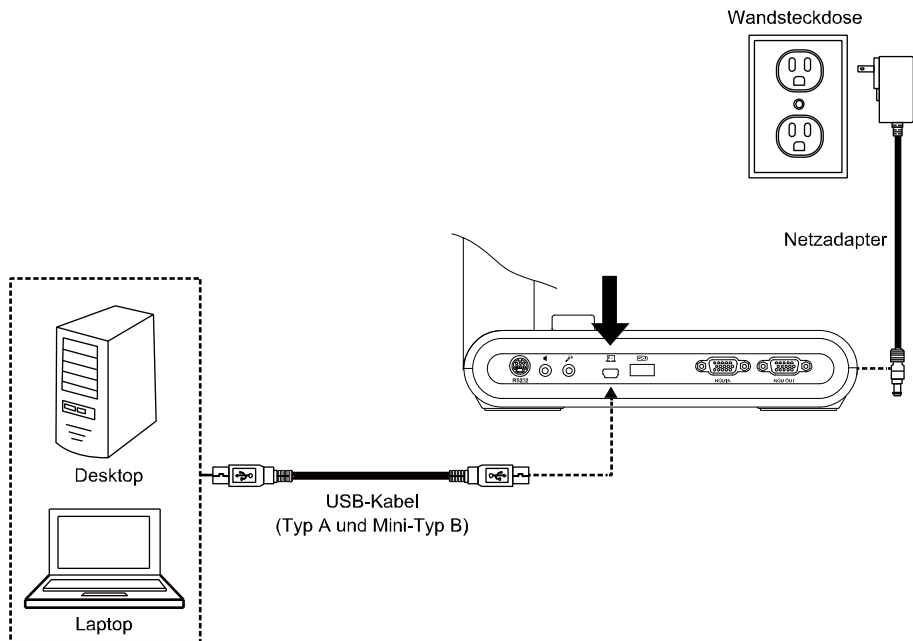
Verbinden Sie den Netzadapter mit einer normalen 100-V- bis 240-V-Wechselstromsteckdose. Das Gerät schaltet sofort in den Standby-Modus, wenn es mit dem Stromnetz verbunden ist. Drücken Sie zum Einschalten .



*Wandsteckdose variieren abhängig von der Region.

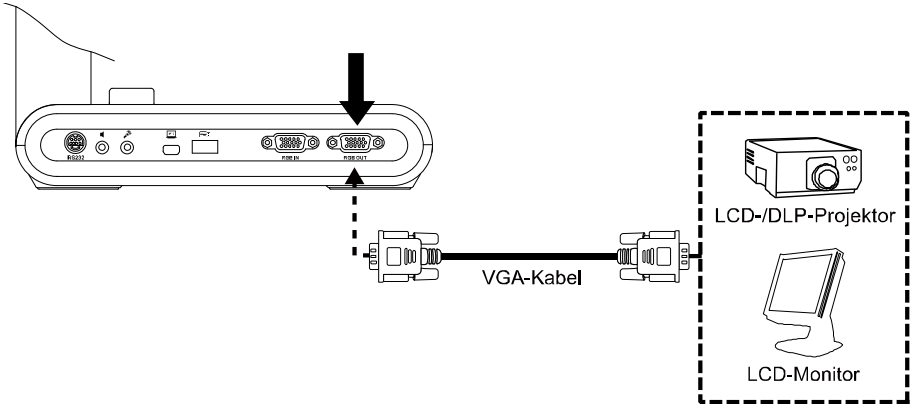
Computer-Anschluss über USB

Verbinden Sie den USB-Anschluss am Computer oder Laptop mit dem PC-Anschluss von AVerVision N M90UHD. Dann kann Ihre M90UHD als USB-Kamera verwendet werden. Sie können sie auch als Kamera nutzen, wenn Sie Software, wie Skype, Team, Zoom usw. nutzen.

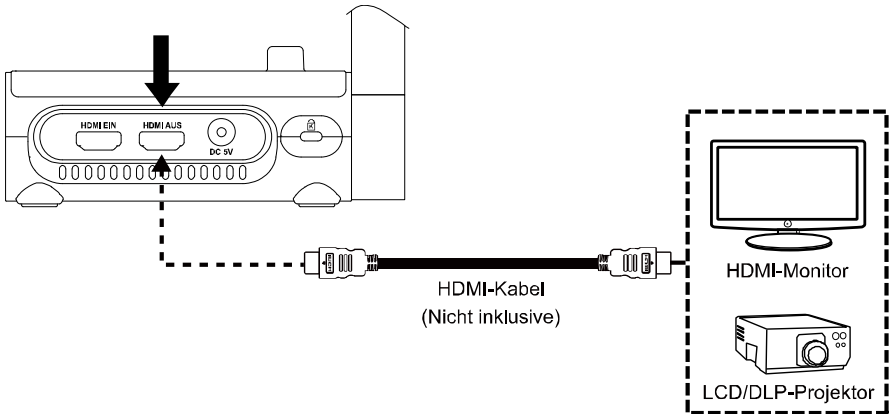


Anschluss an einen Monitor oder LCD-/DLP-Projektor mit VGA/HDMI-Ausgang

Verbinden Sie den VGA/HDMI-Eingang des Grafikanzeigergeräts mit dem VGA/HDMI-OUT-Anschluss von AVerVision M90UHD.



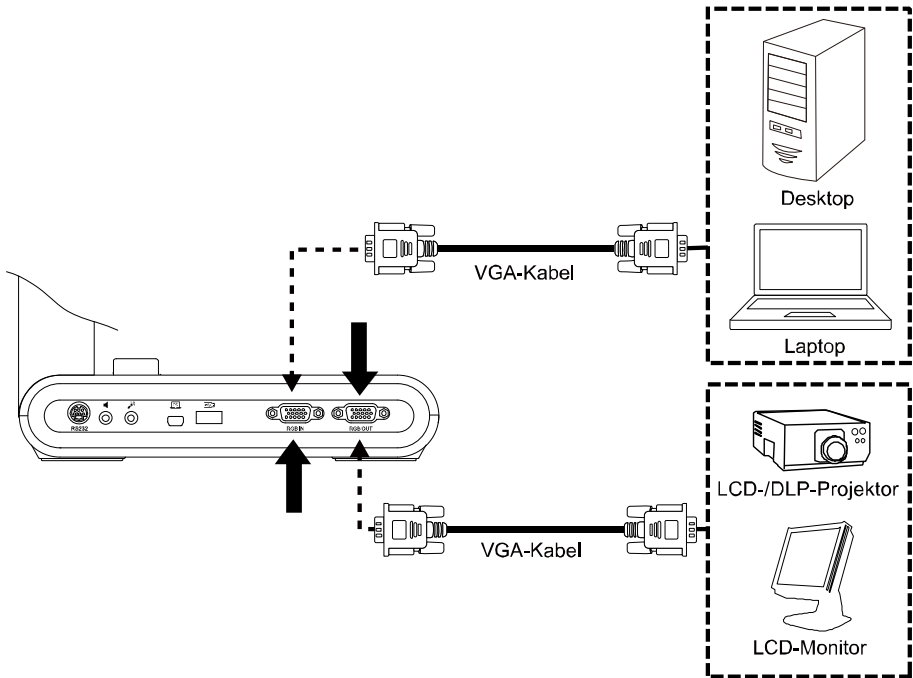
*VGA-Kabelverbindung



*HDMI-Kabelverbindung

Anschluss an einen Computer mit VGA/ HDMI-Eingang

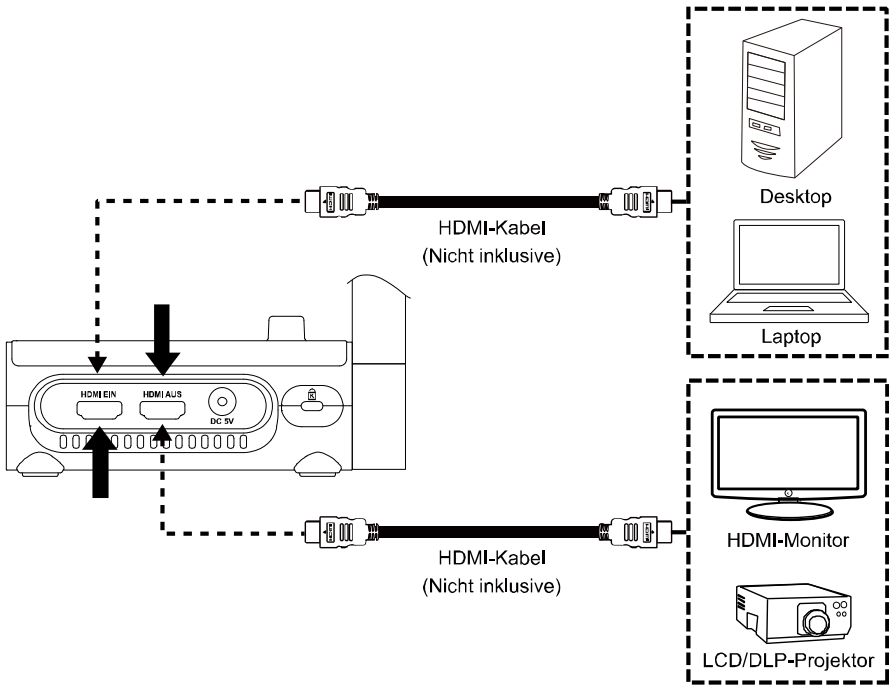
Verbinden Sie den VGA/HDMI-Eingang des Grafikanzeigergeräts mit dem VGA/HDMI-OUT-Anschluss von AVerVision M90UHD.



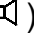
Auf der anderen Seite ermitteln Sie den VGA/HDMI-Ausgangsanschluss am Computer oder Laptop und verbinden Sie ihn mit dem VGA/ HDMI-IN-Anschluss an der AVerVision M90UHD. Das Videosignal des VGA/HDMI-IN-Anschlusses wird an den VGA/RGB-OUT-Anschluss gestreamt.

[Hinweis]

- Für die Anzeige des Computerbilds drücken Sie die Taste **Kamera/PC** am Bedienfeld oder der Fernbedienung, um die AVerVision M90UHD in den Computermodus zu schalten.

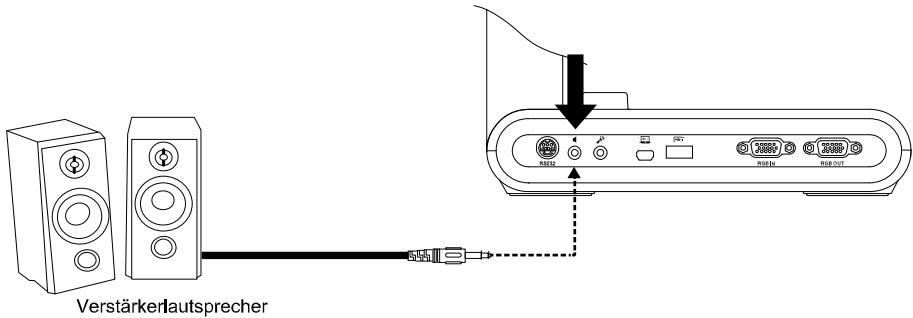


Anschluss eines Verstärkerlautsprechers

Verbinden Sie einen Verstärkerlautsprecher mit 3,5-mm-Stecker mit dem Line-Out () Anschluss. Es wird nur Audio aus der Videowiedergabe unterstützt.

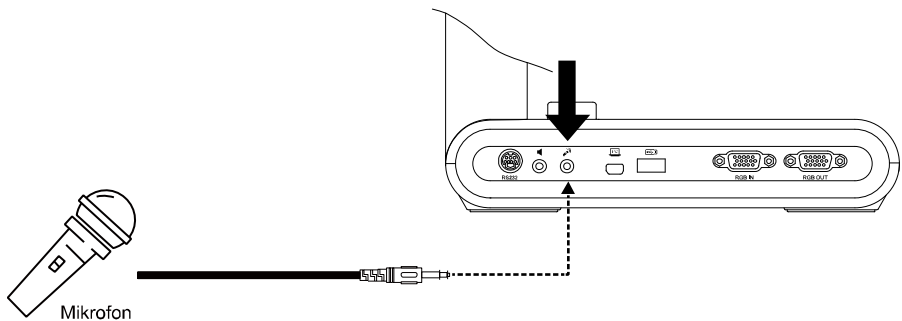
[Hinweis]

Wir empfehlen den Anschluss des Verstärkerlautsprechers am Line-Out-Ausgang. Lassen Sie bei der Verwendung von Ohrhörern Vorsicht walten. Verringern Sie die Lautstärke an der Fernbedienung, um Gehörschäden infolge der Lautstärke zu vermeiden.




Anschließen eines Mikrofons

Stecken Sie ein 3,5-mm-Mikrofonstecker in den MIC-IN-Anschluss () ein.



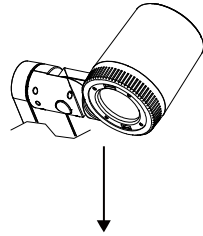
Anschluss an ein Mikroskop

Wenn Sie die AVerVision M90UHD mit einem Mikroskop verbinden, können Sie mikroskopisch kleine Objekte auf einem großen Bildschirm anzeigen.

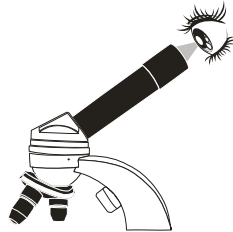
1. Bildanzeigemodus zu Mikroskop ändern. Wählen Sie die Registerkarte **IMAGE** (BILD) > wählen Sie **Preview Mode** (Vorschaumodus) > und **Microscope** (Mikroskop). Betätigen Sie dann mit .



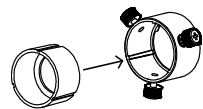
2. Halten Sie die Kamera auf den am weitesten entfernten Punkt und betätigen Sie **AUTO FOCUS** (AUTOFOKUS).



3. Justieren Sie den Fokus am Mikroskop.



4. Wählen Sie die Gummikupplung in der entsprechenden Größe für das Okular des Mikroskops aus und setzen Sie diese auf den Mikroskop-Adapter.



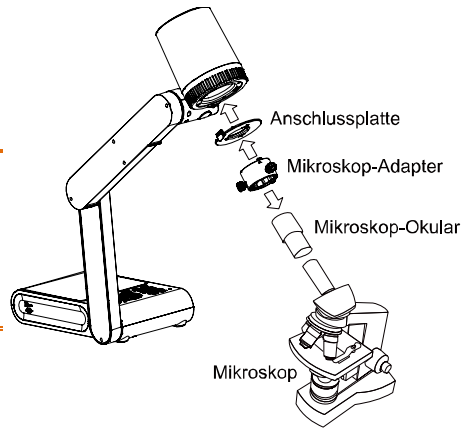
5. Nehmen Sie das Okular vom Mikroskop und verbinden Sie es mit dem Mikroskopadapter mit der eingesetzten Gummikupplung. Befestigen Sie den Adapter und das Okular mit den drei Schrauben.



- Für das Okular empfehlen wir einen Augenabstand von 33 mm.
- Für die Verbesserung der Sicht nehmen Sie die Anpassung manuell vor.

6. Setzen Sie den Mikroskop-Adapter mit einer Anschlussplatte auf den AVerVision-Kamerakopf. Verbinden Sie AVerVision dann mit dem Mikroskop.

Die Pfeile an Kamerakopf und Mikroskopadapter müssen in die gleiche Richtung zeigen, und im Uhrzeigersinn gedreht werden, bis sie einrasten.

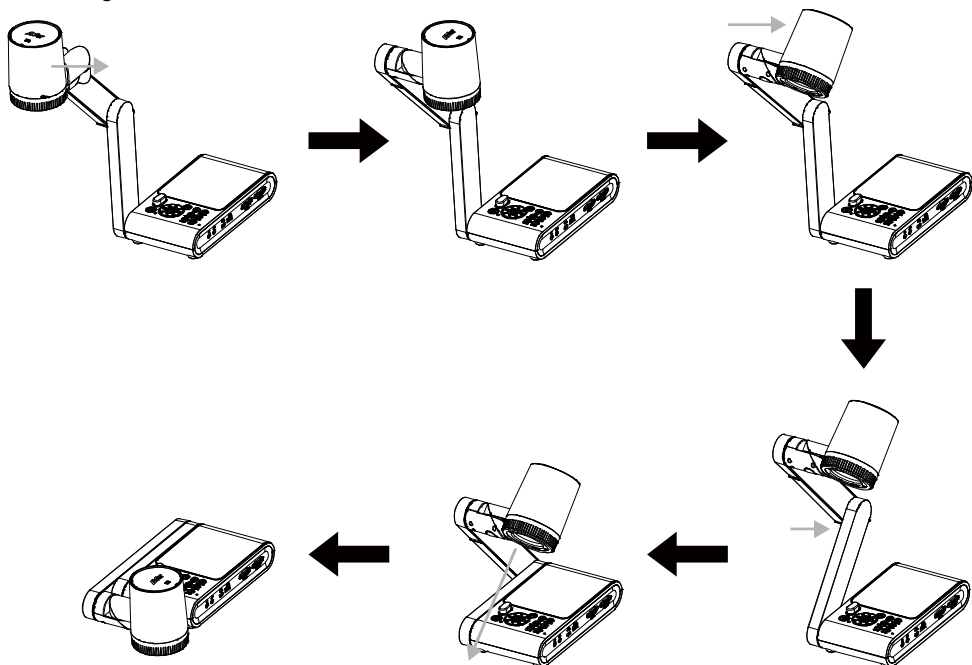


Einrichtung von AVerVision M90UHD

Dieses Kapitel enthält nützliche Tipps für die Anpassung der AVerVision M90UHD gemäß Ihren Bedürfnissen.

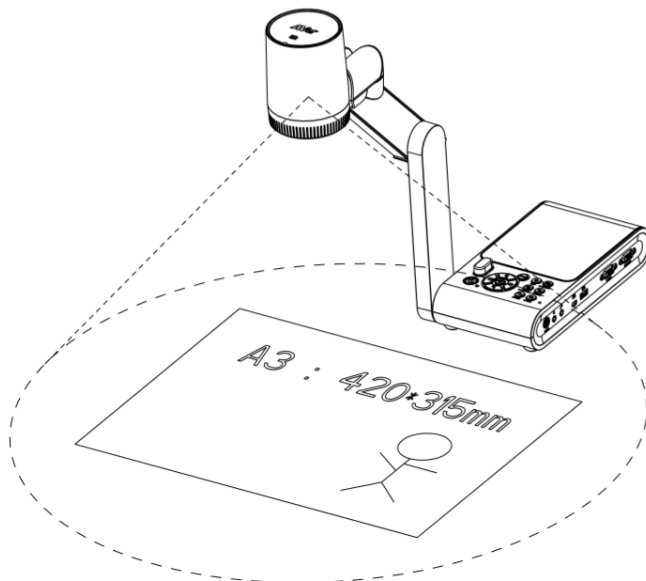
Aufbewahrung der Dokumentkamera

Angaben zur Aufbewahrung der Dokumentkamera entnehmen Sie bitte der nachstehenden Abbildung.

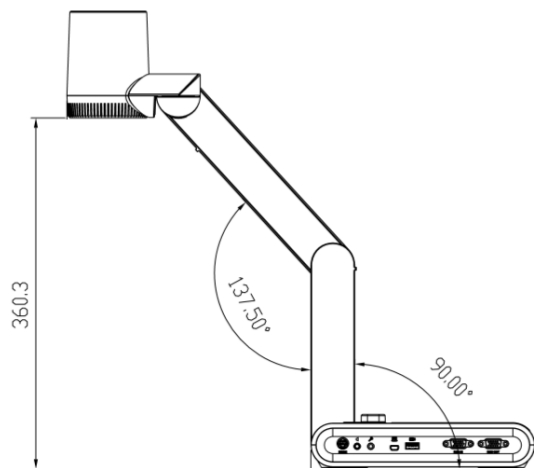


Aufnahmebereich

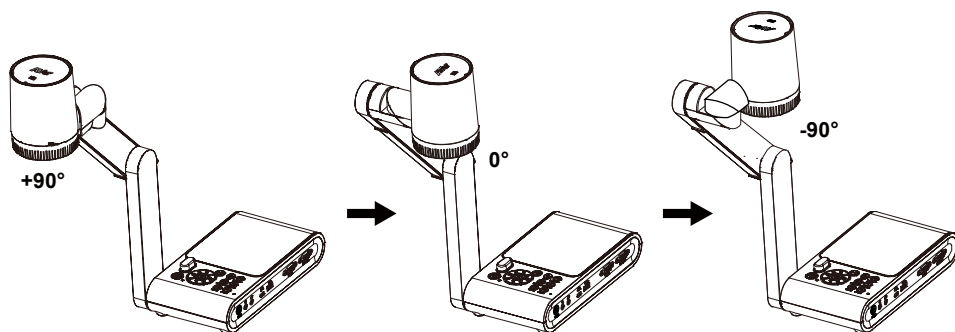
Der Aufnahmebereich kann mit High-Definition-Vorschau maximal 420 x 315 mm betragen.



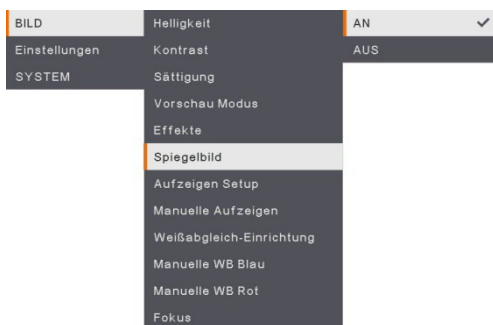
Wenn die Kameraposition eine Höhe von 360,3mm hat, ist der Aufnahmebereich A3-Größe.



Der Kamerakopf kann um 90° gedreht werden, wie nachstehend gezeigt..

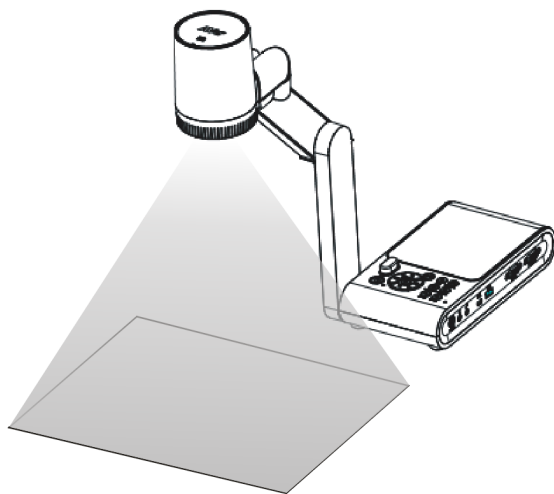
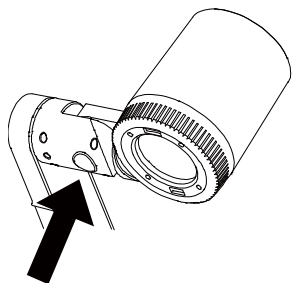


Um das Bild zu spiegeln, drücken Sie **MENU (MENÜ)** > **Mirror (Spiegel)**. Betätigen Sie **←** und dann „On“ (Ein).



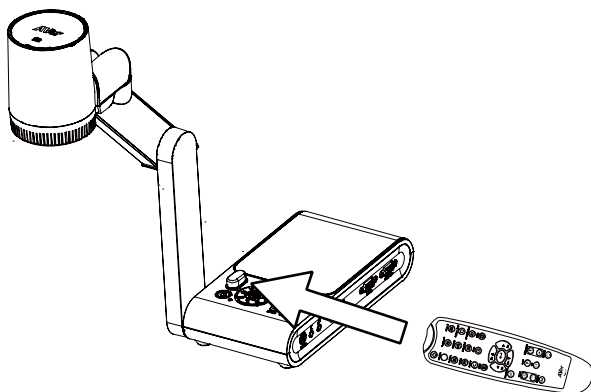
Overhead-Licht

Drücken Sie am Bedienfeld oder auf der Fernbedienung die LAMPEN-Taste, um das Licht ein- und auszuschalten.



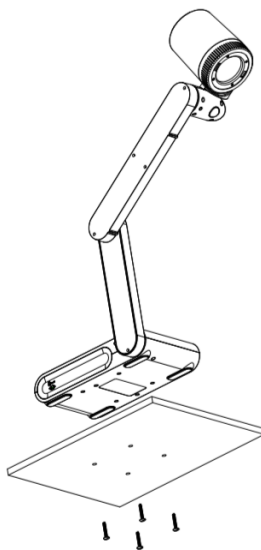
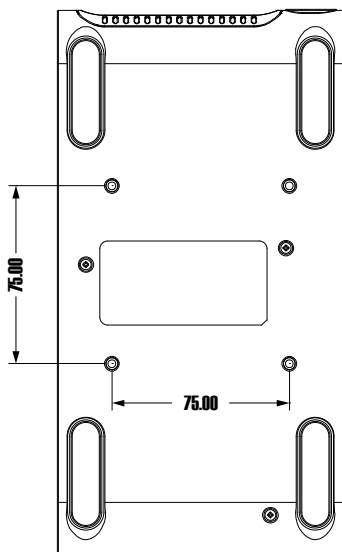
Infrarotsensor

Richten Sie die Fernbedienung auf den Infrarotsensor, um das Gerät zu bedienen.



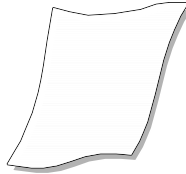
M90UHD-Montage auf einer flachen Oberfläche

Messen und kennzeichnen Sie auf einer flachen Oberfläche in einer geraden Linie horizontal 75 mm zwischen den Löchern; siehe nachstehende Abbildung. Verwenden Sie zwei (2) oder vier (4) M4.0-Schrauben für die 6-mm-Löcher und befestigen Sie die M90UHD auf einer flachen Oberfläche.



Blendschutz

Der Blendschutz ist eine Folie mit Spezialbeschichtung, die während der Anzeige stark glänzender Objekte oder Flächen, z. B. Zeitschriften oder Bilder, und vor Reflexionen schützt. Legen Sie den Blendschutz einfach auf das glänzende Dokument, um das reflektierte Licht zu reduzieren.

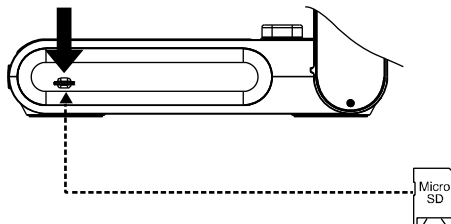


Externer Speicher

AVerVision M90UHD unterstützt eine externe Mikro SD-Speicherkarte sowie ein USB Flash-Laufwerk, um die Speicherkapazität für Bild- und Audio-/Videoaufnahmen zu erhöhen. AVerVision M90UHD erkennt das externe Speichermedium und schaltete automatisch zu dem zuletzt erkannten Speicher um. Wenn kein externes Speichermedium angeschlossen ist, werden alle erfassten Standbilder im integrierten Speicher abgelegt.

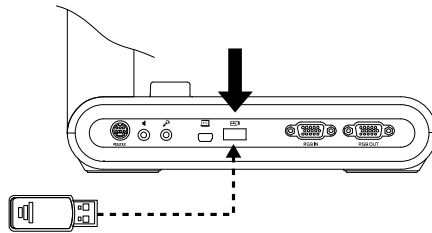
Einlegen der Micro-SD-Karte

Führen Sie die SD-Karte mit der Kontaktfläche nach unten bis zum Ende ein. Um die Karte zu entnehmen oder lösen, drücken Sie sie nach innen. Es werden Mikro SD-Karten von 1 GB bis 32 GB (FAT32) unterstützt.



Verbinden Sie ein USB Flash-Laufwerk

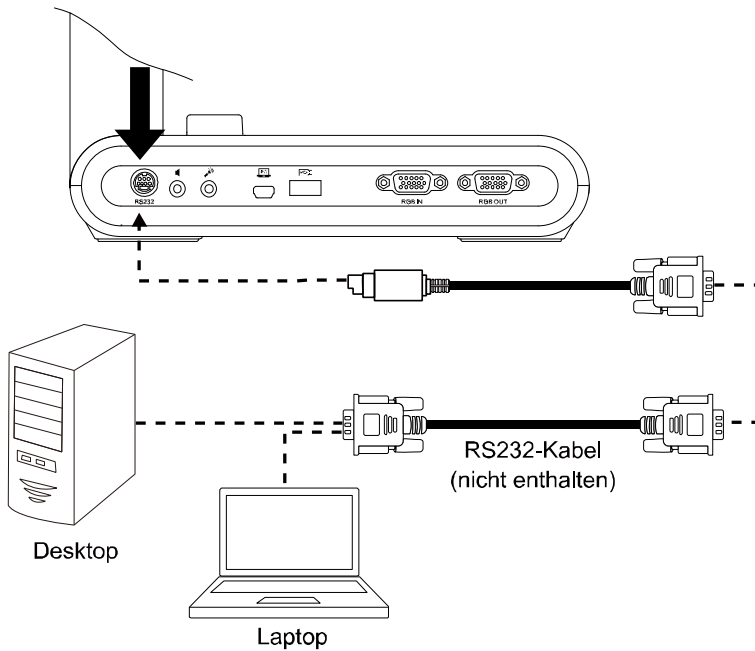
Verbinden Sie das USB-Flash-Laufwerk mit dem USB-Schlitz. AVerVision M90UHD unterstützt USB-Flash-Laufwerke bis maximal 32GB. **Für die bessere Videoaufnahmegualität sollten Sie das USB-Flash-Laufwerk mit AVerVision M90UHD formatieren.**



USB Flash-Laufwerk

RS232-Anschlussdiagramm

AVerVision M90UHD kann über den RS-232-Anschluss über einen Computer oder ein zentrales Bedienteil gesteuert werde.



RS-232 Senden-Befehl-Tabelle

Senden-Format : 0x52 + 0x0B + 0x03 + Data[0] + Data[1] + Data[2] + 0x53 + Checksum^{*1}

Format Empfang erfolgreich : 0x53 + 0x00 + 0x02 + *2 + 0x00 + 0x52 + Checksum^{*4}

Format Empfang abnormal : 0x53 + 0x00 + 0x01 + *3 + 0x52 + Checksum^{*5}

*1 : Checksum = 0x0B x oder 0x03 x oder Data[0] x oder Data[1] x oder Data[2] x oder 0x53

*2 : Dateneingang OK: 0x0B, Not Befehl: 0x03

*3 : ID Fehler: 0x01, Checksum Fehler: 0x02, Funktion fehlgeschlagen = 0x04

*4 : Checksum = 0x00 x oder 0x02 x oder *2 x oder 0x00 x oder 0x52

*5 : Checksum = 0x00 x oder 0x01 x oder *3 x oder 0x52

*6 : Standby-Modus Dateneingang = 0x51 + 0xFF + 0x01 + 0x0B + 0x51 + 0xA4

Power-On-Modus Empfangsdaten = Keine Datenrückgabe

*7 : Standby-Modus Dateneingang = 0x51 + 0x00 + 0x01 + 0x0B + 0x51 + 0x5B

Power-On-Modus Empfangsdaten = 0x53 + 0x00 + 0x02 + 0x0B + 0x00 + 0x52 + 0x5B

Funktion	Data[0]	Data[1]	Data[2]	Checksum
NETZ AUS ^{*6}	0x01	0x00	0x00	0x5a
EINSCHALTEN ^{*7}	0x01	0x01	0x00	0x5b
KAMERAMODUS	0x02	0x00	0x00	0x59
WIEDERGABEMODUS EIN	0x03	0x00	0x00	0x58
PC 1/2	0x04	0x00	0x00	0x5f
BILDERFASSUNG TYP: EINZEL	0x05	0x00	0x00	0x5e
BILDERFASSUNG TYP: KONTINUIERLICH	0x05	0x01	0x00	0x5f
FORTS. ERFASSUNG INTERVALL +	0x06	0x00	0x00	0x5d
FORTS. ERFASSUNG INTERVALL -	0x06	0x01	0x00	0x5c
BILDERFASSUNG AUFLÖSUNG: NORMAL	0x07	0x00	0x00	0x5c
BILDERFASSUNG AUFLÖSUNG: 13M	0x07	0x01	0x00	0x5d
TIMER START	0x08	0x00	0x00	0x53
TIMER PAUSE	0x08	0x01	0x00	0x52
TIMER STOPP	0x08	0x02	0x00	0x51
TIMER EINSTELLUNG ZEIT	0x08	0x03	Wert[1 ~ 120]	*1
VORSCHAUMODUS: BEWEGUNG	0x0A	0x02	0x00	0x53
VORSCHAUMODUS: MIKROSKOP	0x0A	0x03	0x00	0x52
VORSCHAUMODUS: MAKRO	0x0A	0x04	0x00	0x55
VORSCHAUMODUS: UNENDLICH	0x0A	0x05	0x00	0x54

Funktion	Data[0]	Data[1]	Data[2]	Checksum
VORSCHAUMODUS: NORMAL	0x0A	0x06	0x00	0x57
VORSCHAUMODUS: HOHE QUALITÄT	0x0A	0x07	0x00	0x56
VORSCHAU ERFASSEN	0x0B	0x00	0x00	0x50
WIEDERGABE LÖSCHEN	0x0C	0x00	0x00	0x57
WIEDERGABE VOLLBILD	0x0D	0x00	0x00	0x56
SPIEGEL AUS	0x0E	0x00	0x00	0x55
SPIEGEL EIN	0x0E	0x01	0x00	0x54
DREHEN AUS	0x0F	0x00	0x00	0x54
DREHEN EIN	0x0F	0x02	0x00	0x56
EFFEKT: FARBE	0x10	0x00	0x00	0x4b
EFFEKT: SW	0x10	0x01	0x00	0x4a
EFFEKT: NEGATIV	0x10	0x02	0x00	0x49
KONTRAST ERHÖHEN	0x11	0x00	0x00	0x4a
KONTRAST VERRINGERN	0x11	0x01	0x00	0x4b
KONTRAST WERT	0x11	0x02	Wert[1 ~ 255]	*1
HELLIGKEIT ERHÖHEN	0x12	0x00	0x00	0x49
HELLIGKEIT VERRINGERN	0x12	0x01	0x00	0x48
HELLIGKEIT WERT	0x12	0x02	Wert[1 ~ 255]	*1
BELICHTUNG: AUTO	0x13	0x00	0x00	0x48
BELICHTUNG: MANUELL	0x13	0x01	0x00	0x49
BELICHTUNG MANUELL ERHÖHEN	0x14	0x00	0x00	0x4f
BELICHTUNG MANUELL VERRINGERN	0x14	0x01	0x00	0x4e
WEISSABGLEICH: AUTO	0x15	0x00	0x00	0x4e
WEISSABGLEICH: MANUELL	0x15	0x01	0x00	0x4f
WEISSABGLEICH MEHR BLAU	0x16	0x00	0x00	0x4d
WEISSABGLEICH WENIGER BLAU	0x16	0x01	0x00	0x4c
WEISSABGLEICH MEHR ROT	0x17	0x00	0x00	0x4c
WEISSABGLEICH WENIGER ROT	0x17	0x01	0x00	0x4d
FLICKER: 50Hz	0x18	0x00	0x00	0x43
FLICKER: 60Hz	0x18	0x01	0x00	0x42

Funktion	Data[0]	Data[1]	Data[2]	Checksum
AUFNAHME: AUS	0x23	0x00	0x00	0x78
AUFNAHME: EIN	0x23	0x01	0x00	0x79
FILM SCHNELL ZURÜCKSPULEN	0x25	0x00	0x00	0x7e
VIDEO SCHNELL VORWÄRTS SPULEN	0x25	0x01	0x00	0x7f
FILM LAUTER	0x26	0x00	0x00	0x7d
FILM LEISER	0x26	0x01	0x00	0x7c
SPEICHER: EINGEBETTET	0x28	0x00	0x00	0x73
SPEICHER: SD-KARTE	0x28	0x01	0x00	0x72
SPEICHER: USB-STICK	0x28	0x02	0x00	0x71
FORMAT: EINGEBETTET	0x29	0x00	0x00	0x72
FORMAT: SD-KARTE	0x29	0x01	0x00	0x73
FORMAT: USB-STICK	0x29	0x02	0x00	0x70
AUSGABE AUFLÖSUNG: 1024x768	0x2F	0x01	0x00	0x75
AUSGABE AUFLÖSUNG: 1280x720	0x2F	0x02	0x00	0x76
AUSGABE AUFLÖSUNG: 1920x1080	0x2F	0x03	0x00	0x77
AUSGABE AUFLÖSUNG: 3840x2160@30	0x2F	0x08	0x00	0x7c
AUSGABE AUFLÖSUNG: 3840x2160@60	0x2F	0x09	0x00	0x7d
USB VERBINDUNG: USB KAMERA	0x30	0x00	0x00	0x6b
USB VERBINDUNG: MASSENSPEICHER	0x30	0x01	0x00	0x6a
SICHERUNG AUF SD-KARTE	0x31	0x00	0x00	0x6a
SICHERUNG AUF USB-STICK	0x31	0x01	0x00	0x6b
PROFIL SPEICHERN: PROFIL 1	0x32	0x00	0x00	0x69
PROFIL SPEICHERN: PROFIL 2	0x32	0x01	0x00	0x68
PROFIL SPEICHERN: PROFIL 3	0x32	0x02	0x00	0x6b
PROFIL ABRUF: PROFIL 1	0x33	0x00	0x00	0x68
PROFIL ABRUF: PROFIL 2	0x33	0x01	0x00	0x69
PROFIL ABRUF: PROFIL 3	0x33	0x02	0x00	0x6a
DIASHOW: AUS	0x34	0x00	0x00	0x6f
DIASHOW: EIN	0x34	0x01	0x00	0x6e
ERFASSUNGSQUALITÄT: NORMAL	0x37	0x00	0x00	0x6c

Funktion	Data[0]	Data[1]	Data[2]	Checksum
ERFASSUNGSQUALITÄT: HOCH	0x37	0x01	0x00	0x6d
ERFASSUNGSQUALITÄT: HÖCHSTE	0x37	0x02	0x00	0x6e
AUTOFOKUS	0x40	0x00	0x00	0x1b
MENÜ	0x41	0x00	0x00	0x1a
PFEIL - NACH UNTEN	0x42	0x00	0x00	0x19
PFEIL NACH OBEN	0x42	0x01	0x00	0x18
PFEIL- LINKS	0x42	0x02	0x00	0x1b
PFEIL - RECHTS	0x42	0x03	0x00	0x1a
EINGABE	0x43	0x00	0x00	0x18
EINFRIEREN/STOPP	0x44	0x00	0x00	0x1f
STANDARD	0x45	0x00	0x00	0x1e
ZOOM -	0x46	0x00	0x00	0x1d
ZOOM +	0x46	0x01	0x00	0x1c
ZOOM ZURÜCKSETZEN	0x47	0x00	0x00	0x1c
FOKUS AUF NÄHE	0x48	0x00	0x00	0x13
FOKUS AUF FERSE	0x48	0x01	0x00	0x12
LAMPE AUS	0x49	0x00	0x00	0x12
LAMPE EIN	0x49	0x01	0x00	0x13
SÄTTIGUNG ERHÖHEN	0x4B	0x00	0x00	0x10
SÄTTIGUNG VERRINGERN	0x4B	0x01	0x00	0x11
SÄTTIGUNGSWERT	0x4B	0x02	Wert[1 ~ 255]	*1
STUMMSCHALTUNG AUS	0x4C	0x00	0x00	0x17
STUMMSCHALTUNG EIN	0x4C	0x01	0x00	0x16

RS-232 Get-Befehl-Tabelle

Sendenformat : 0x52 + 0x0A + 0x01 + Data[0] + 0x53 + Checksum

Empfangsformat : 0x53 + 0x0C + 0x01 + ReData[0] + 0x52 + ReChecksum*1

*1 : ReChecksum = 0x0C x oder 0x01 x oder ReData[0] x oder 0x52

*2 : Power Status Empfang Daten = 0x51 + 0xFF + 0x01 + 0x0A + 0x51 + 0xA5

Funktion	Data[0]	Checksum	ReData[0]
Roter Wert	0x02	0x5A	Wert [0 ~ 255]
Blauer Wert	0x03	0x5B	Wert [0 ~ 255]
Netzstatus	0x04	0x5C	AUS [*2]
			1: EIN
Lampenstatus	0x05	0x5D	0: AUS 1: EIN
Anzeige-Status	0x06	0x5E	0: Kameramodus
			1: Wiedergabemodus
			2: PC-1 Pass-Through
Einfrieren-Status	0x08	0x50	0: AUS 1: EIN
Helligkeit Wert	0x0A	0x52	Wert [1 ~ 64]
Kontrast Wert	0x0B	0x53	Wert [1 ~ 32]
Sättigungswert	0x0D	0x55	Wert [1 ~ 32]

OSD-MENÜ

Im OSD-Menü stehen 3 Optionen zur Verfügung: **IMAGE (BILD)**, **SETTING (EINSTELLUNG)** und **SYSTEM**.

BILD	Helligkeit
Einstellungen	Kontrast
SYSTEM	Sättigung
	Vorschau Modus
	Effekte
	Spiegelbild
	Aufzeigen Setup
	Manuelle Aufzeigen
	Weißabgleich-Einrichtung
	Manuelle WB Blau
	Manuelle WB Rot
	Fokus

BILD

BILD	Speicherauflösung
Einstellungen	Speicherbildqualität
SYSTEM	Speicherformat Typ
	Speicherintervall
	Speicherung
	Format
	USB auf PC
	Mikrofonlautstärke
	Zeiteinstellung
	Zeitintervall

EINSTELLUNG

BILD	Sprache
Einstellungen	Ausgabeanzeige
SYSTEM	Sicherung
	Einstellung speichern
	Rückrufeinstellung
	Flackern
	Information
	Default

SYSTEM

Navigation im Menü und im Submenü

1. Betätigen Sie die **MENU**-Taste am Bedienfeld oder der Fernbedienung.
2. Betätigen Sie **►**, **◀**, **▲** und **▼**, um Ihre Auswahl in der Menüliste zu treffen.
3. Treffen Sie Ihre Auswahl mit **↩**.
4. Mit **▼** und **▼** passen Sie eine Einstellung an oder treffen eine Auswahl.
5. Mit **↩** greifen Sie auf das Submenü zu.

Bild

Menü-Bildschirm			Funktion
BILD	Helligkeit	+	Helligkeit Manuelle Einstellung der Helligkeit zwischen 0 und 255.
Einstellungen	Kontrast	125	
SYSTEM	Sättigung	—	
	Vorschau Modus		
	Effekte		
	Spiegelbild		
	Aufzeigen Setup		
	Manuelle Aufzeigen		
	Weißabgleich-Einrichtung		
	Manuelle WB Blau		
	Manuelle WB Rot		
	Fokus		
BILD	Helligkeit	+	Kontrast Manuelle Kontrastauswahl in dunklen und hellen Umgebungen zwischen 0 und 255.
Einstellungen	Kontrast	128	
SYSTEM	Sättigung	—	
	Vorschau Modus		
	Effekte		
	Spiegelbild		
	Aufzeigen Setup		
	Manuelle Aufzeigen		
	Weißabgleich-Einrichtung		
	Manuelle WB Blau		
	Manuelle WB Rot		
	Fokus		
BILD	Helligkeit	+	Sättigung Manuelle Einstellung der die Sättigung zwischen 0 und 255.
Einstellungen	Kontrast	128	
SYSTEM	Sättigung	—	
	Vorschau Modus		
	Effekte		
	Spiegelbild		
	Aufzeigen Setup		
	Manuelle Aufzeigen		
	Weißabgleich-Einrichtung		
	Manuelle WB Blau		
	Manuelle WB Rot		
	Fokus		

Menü-Bildschirm

Funktion



..Vorschaumodus

Auswahl aus verschiedenen Bildanzeigeeinstellungen.

Normal - Bildgradient anpassen.

Motion – hohe Aktualisierungsrate für ein bewegtes Bild.

High Quality - hohe Auflösung mit der besten Qualität.

Mikroskop - automatische Anpassung des optischen Zooms für die mikroskopische Ansicht

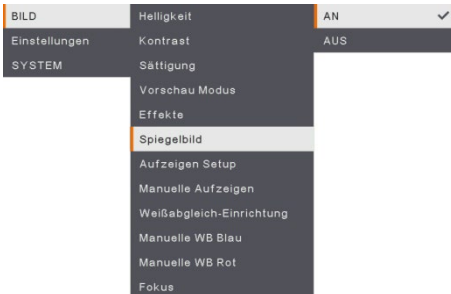
Macro – Nahaufnahme.

Infinity – Unendlich.



..Effekt

Konvertiert das Bild in Positiv (Originalfarbe), Monochrom (Schwarzweiß) oder Negativ.



..Spiegeln

Das Bild links oder rechts drehen.

Menü-Bildschirm

Funktion



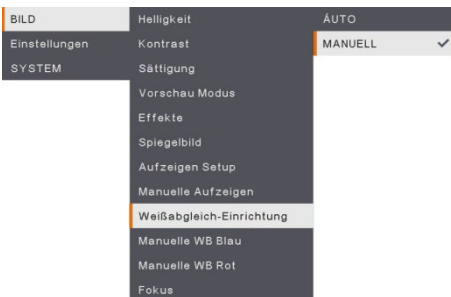
..Belichtungseinrichtung

Wählen Sie „AUTO“ für die automatische Anpassung von Weißabgleich, Belichtung, Farbkorrektur und Belichtungskorrektur. Wählen Sie „MANUAL“ für die erweiterten Belichtungs- und Weißabgleicheinstellungen.



..Manuelle Beleuchtung

MANUAL - Manuelle Anpassung des Belichtungspegels. Die Belichtung kann von 0 bis 99 angepasst werden.



..Weißabgleich-Einrichtung

Auswahl der Weißabgleich-Einstellung für unterschiedliche Lichtbedingungen und Farbtemperaturen.

AUTO - Automatische Anpassung des Weißabgleichs.

MANUAL - Manuelle Anpassung des Farbniveaus. Wählen Sie „Manual“ für die erweiterte Einrichtung des Weißabgleichs.

Menü-Bildschirm

Funktion

BILD	Helligkeit	+
Einstellungen	Kontrast	112
SYSTEM	Sättigung	-
	Vorschau Modus	
	Effekte	
	Spiegelbild	
	Aufzeigen Setup	
	Manuelle Aufzeigen	
	Weißabgleich-Einrichtung	
	Manuelle WB Blau	
	Manuelle WB Rot	
	Fokus	

...Manuell WB Blau

Manuelle Anpassung des blauen Farbniveaus Die Farbstufe kann bis 255 angepasst werden.

BILD	Helligkeit	+
Einstellungen	Kontrast	113
SYSTEM	Sättigung	-
	Vorschau Modus	
	Effekte	
	Spiegelbild	
	Aufzeigen Setup	
	Manuelle Aufzeigen	
	Weißabgleich-Einrichtung	
	Manuelle WB Blau	
	Manuelle WB Rot	
	Fokus	

...Manuell WB Rot



Manuelle Anpassung des roten Farbniveaus Die Farbstufe kann bis 255 eingestellt werden.

BILD	Helligkeit	+
Einstellungen	Kontrast	98
SYSTEM	Sättigung	-
	Vorschau Modus	
	Effekte	
	Spiegelbild	
	Aufzeigen Setup	
	Manuelle Aufzeigen	
	Weißabgleich-Einrichtung	
	Manuelle WB Blau	
	Manuelle WB Rot	
	Fokus	

...Fokus

Manuelle Feinabstimmung des Bildes.

Einstellung

Menü-Bildschirm		Funktion
	Speicherauflösung 13M ✓	...Erfassungsauflösung Mit dieser Auswahl erfassen Sie die Größe. Bei der 13M -Einstellung ist die Auflösung 4208 x 3120. Wählen Sie Normal für die Erfassungsgröße basierend auf den Auflösungseinstellungen.
	Speicherbildqualität Hoch ✓	...Erfassungsqualität Mit dieser Auswahl wird die Erfassungskomprimierung ausgewählt. Wählen Sie Finest (am Feinsten) für die beste Erfassungskomprimierung.
	Speicherformat Typ Einzel ✓	...Erfassungstyp Mit dieser Auswahl erfassen Sie den Erfassungstyp. Single - erfasst nur ein Bild. Continuous - kontinuierliche Erfassung aufeinanderfolgender Bilder; die Dauererfassung kann auf Tastendruck beendet werden. Wählen Sie Continuous (kontinuierlich) für Aktivierung der Einstellung Capture Interval (Erfassungsintervall).
	Speicherintervall 1 sec	...Erfassungsintervall Einstellung des Intervalls für die kontinuierliche Erfassung. Die Länge kann mit bis zu 600 Sek. (10 Min.) angegeben werden.

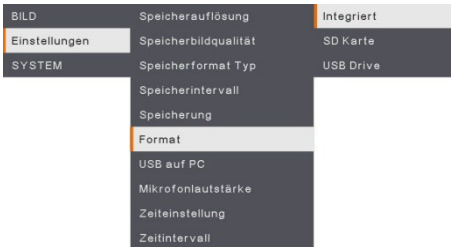
Menü-Bildschirm

Funktion



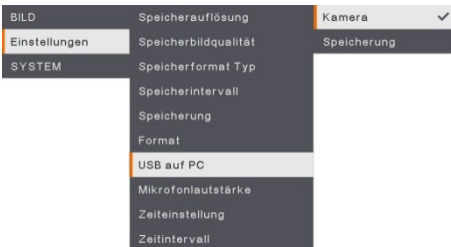
...Speicherung

Speicherort ändern. Audio- und Videoaufnahmen können nur auf einer integrierten SD Karte oder einem USB-Laufwerk gespeichert werden.



...Format

Formatieren, um alle Daten im gewählten Speicher zu löschen.

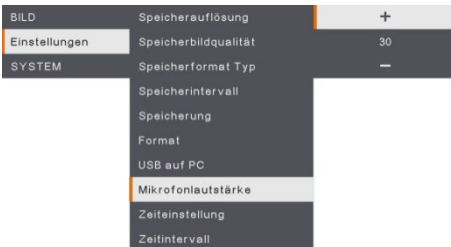


...USB an PC

Auswahl des Status von AVerVision M90UHD bei der Verbindung über USB-Kabel.

Camera - Verwendung als Computer-Webcam oder mit unserer Software-Suite für die Aufnahme von Videos und Standbildern.

Storage - Übertragung erfasster Bilder/Videos aus dem Speicher auf eine Computerfestplatte.

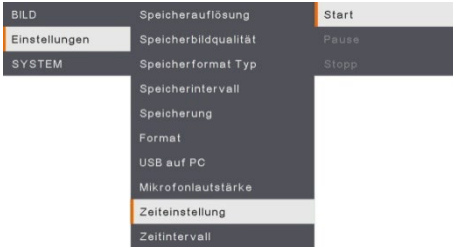


...Mikrofonlautstärke

Anpassung der Aufnahmelautstärke oder des USB-Audioeingangs.

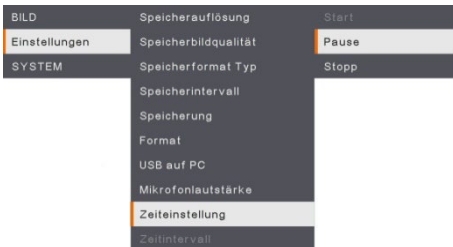
Menü-Bildschirm

Funktion



...Start Timer

Timer starten. Der Timer zählt automatisch hoch, sobald er Null erreicht, und zeigt die abgelaufene Zeit an.



...Pause/Stopp-Timer

Während der Zeitaufnahme die „Menü“-Taste drücken, um die Zeitvorgabe zu pausieren oder zu stoppen.



...Timer-Intervall

Legen sie die Timer-Dauer mit bis zu 2 Stunden fest.

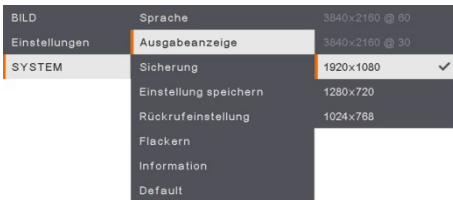
System

Menü-Bildschirm	Funktion
-----------------	----------



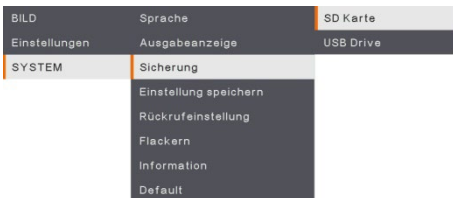
__Sprache

Ändern und Auswahl der Sprache.
M90UHD unterstützt bis zu 12 Sprachen.



__Ausgabebezeige

Festlegen der Auflösung für die Bildanzeige am Bildschirm. Das Auflösung des Ausgabegerätes wird automatisch erkannt und entsprechend der höchsten Auflösung konfiguriert.



__Sicherung

Kopieren des Bildes aus dem integrierten Speicher auf die SD-Karte oder das USB Flash-Laufwerk.

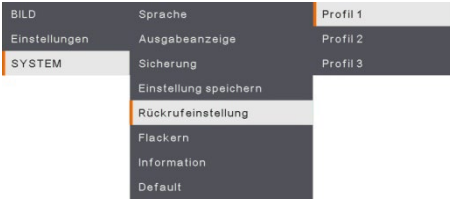


__Einstellung speichern

Speicherung der aktuellen Einstellungen (Helligkeit, Kontrast, Sättigung, Vorschauodus usw.) unter der gewählten Profilvernummer.

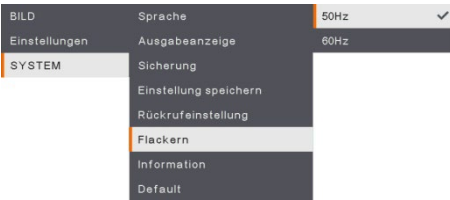
Menü-Bildschirm

Funktion



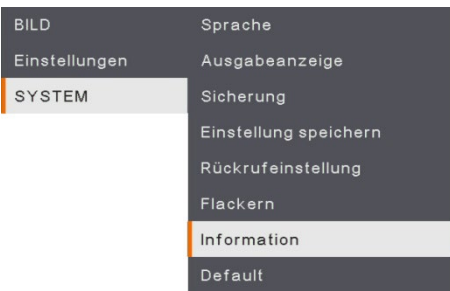
...Einstellung aufrufen

Wiederherstellung der Einstellungen für die ausgewählte Profilvernummer.



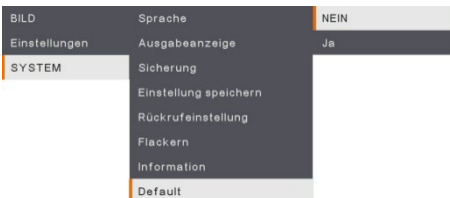
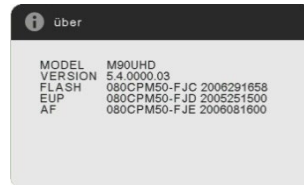
...Flacker

Auswahl zwischen 50 Hz oder 60 Hz. Einige Anzeigergeräte können höhere Aktualisierungsraten verarbeiten. Das Bild flackert kurz, während die Ausgabe auf eine andere Aktualisierungsratenrate umgeschaltet wird.



...Information

Produktinformationen anzeigen



...Default

Zurücksetzen aller Einstellungen auf die Werkseinstellungen. Alle gespeicherten Konfigurationen werden gelöscht.

Wiedergabe

Sie können die gespeicherte Bilder oder Videos mit der Playback-Funktion konfigurieren.

Menü-Bildschirm	Funktion
 <p>PLAYBACK Präsentation Start Intervall Stop Speicherung Alles löschen</p>	...Diashow Diashow starten oder stoppen.
 <p>PLAYBACK Präsentation + Intervall 1 sec Speicherung - Alles löschen</p>	...Intervall Auswahl des Intervall für die Bild- oder Videowiedergabe.
 <p>PLAYBACK Präsentation Integriert Intervall SD Karte ✓ Speicherung USB Drive Alles löschen</p>	...Speicher Auswahl von Bildern oder Videos aus dem Speicher, einschließlich Embedded, SD-Karte oder USB-Laufwerk.
 <p>PLAYBACK Präsentation NEIN Intervall Ja Speicherung Alles löschen</p>	...Alle löschen Wählen Sie diese Option, um alle gespeicherten Bilder oder Videos zu löschen.

Transfer Captured Images/Videos to a computer

Hier können Sie das erfasste Bild vom eingebauten Speicher von einer SD-Karte oder einem USB-Laufwerk auf einen Computer übertragen.

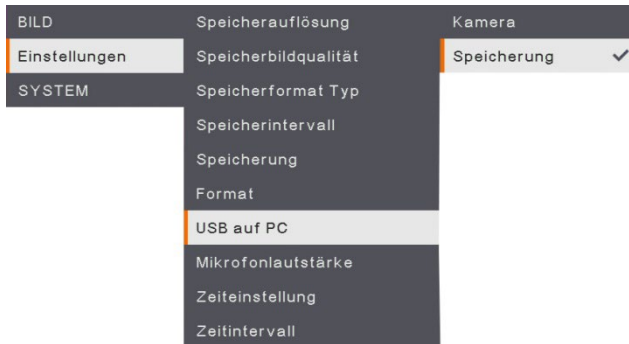
Für die Speicherung von Bildern/Videos bieten sich zwei Möglichkeiten:

- a. Integrierter Speicher und SD-Karte
- b. Integrierter Speicher und USB-Laufwerk



Lesen Sie **UNBEDINGT** die nachstehende Anleitung, **BEVOR** Sie das USB-Kabel anschließen.

1. Vor dem Anschluss des USB-Kabels **MUSS** USB als **SPEICHERMEDIUM** auf PC festgelegt werden.



2. Wenn unten rechts am Präsentationsbildschirm „**Massenspeichergerät erkannt**“ angezeigt wird, können Sie das USB-Kabel anschließen.
3. Nach dem Anschluss des USB-Kabels erkennt das System das Massenspeichergerät automatisch. Nun können Sie die erfassten Bilder/das Bild vom eingebauten **M90UHD** **-Speicher, der SD-Karte oder dem USB-Laufwerk** auf die Computerfestplatte kopieren.

Technische Daten

Bild

Sensor	1/3,06 Zoll CMOS
Pixel	13 Megapixel
Bildrate	60 fps (max.)
Weißabgleich	Automatik/Manuell
Belichtung	Automatik/Manuell
Bildmodus	Normal, Bewegung, Hohe Qualität, Mikroskop, Unendlichkeit, Makro
Effekt	Farbe/SW/Negativ
RGB-Ausgang	1280×720, 1024×768, 1080P
HDMI-Ausgang	4K, 1080p, 720p
Bilderfassung	200 Frames

Optik

Fokussierung	Automatik/Manuell
Aufnahmebereich	420 x 315mm
Zoom	Gesamtzoom 322x Zoom (14x Optisches Zoom + 23x Digital Zoom)

Leistung

Stromquelle	DC 5V/3A, AC 100-240V, 50-60Hz
Stromverbrauch	10 Watt (Lampe ein), 9 Watt (Lampe aus)

Beleuchtung

Lampentyp	LED-Leuchte
-----------	-------------

Eingang/Ausgang

HDMI-Eingang	JA (HDMI, Pass-Through)
HDMI-Ausgang	JA (HDMI, Pass-Through)
VGA-Eingang	JA (15-Pins, D-Sub, Pass-Through)
VGA-Ausgang	JA (15-Pins, D-Sub, Pass-Through)
USB-A-Anschluss	1 (Typ A für USB Flash-Laufwerk)
USB-B-Anschluss	1 Mini-B-Buchse
MIC	Eingebaut
SD-Kartenschlitz	1 (Micro SD-Karte, 32 GB)
Leitungsausgang	Telefonbuchse
Mikrofon	MIC Ein
DC 5V Eingang	Strombuchse
Kensington-Schloss	JA
*RS 232 (Optional)	Mini-DIN-Buchse (mit RS232-Adapterkabel, optional)

Abmessungen

Betrieb	481,3 mm (L) x 159 mm (B) x 469,9 mm (H)
Gefaltet	319,0 mm (L) x 176 mm (B) x 112 mm(H)
Gewicht	2,2 +/- 0,5 kg

Externer Speicher

Micro SD-Karte	Max. 32GB (FAT32)
USB Flash-Laufwerk	Max. 32GB (FAT32)

***Beachten Sie bitte, dass diese Spezifikation auftragsabhängig ist.**

Fehlerbehebung

In diesem Abschnitt finden Sie eine Menge nützlicher Tipps zum Beheben von Problemen, die bei der Nutzung der AVerVision M90UHD gelegentlich auftreten können.

Kein Bild am Präsentationsbildschirm.

1. Prüfen Sie die Anschlüsse gemäß den Angaben in diesem Handbuch.
2. Prüfen Sie die Einstellung des Display-Ausgabegeräts.
3. Bei Präsentationen von einem Notebook oder Computer über das Anzeigebildschirmgerät überprüfen Sie die Kabelverbindung zwischen dem Computer RGB (VGA)-Ausgang zum RGB-Eingang an der AVerVision M90UHD. Vergewissern Sie sich, dass die M90UHD im PC-Modus ist.
4. Die HDMI-Anzeige erfolgt mit Verzögerung, weil das Anzeigegerät und M90UHD synchronisiert werden. Warten Sie circa vier bis sieben Sekunden bis zur Anzeige des Kamerabildes am Bildschirm.

Das Bild auf dem Präsentationsbildschirm ist verzerrt oder unscharf.

1. Setzen ggf. die veränderten Einstellungen auf die Werkseinstellungen zurück. Drücken Sie **DEFAULT** an der Fernbedienung oder wählen Sie „Default“ auf der Registerkarte „Basic“ (Basis) im OSD-Menü.
2. Verringern Sie die Störung ggf. mit den Menüfunktionen „Brigness“ (Helligkeit) und „Contrast“ (Kontrast).
3. Wenn das Bild weiterhin verzerrt oder verschwommen ist, betätigen Sie bitte die Taste „Auto Focus“ (Autofokus) auf dem Bedienfeld oder an der Fernbedienung.

Kein Computersignal am Präsentationsbildschirm.

1. Überprüfen Sie die Kabelverbindungen zwischen dem Anzeigegerät, der AVerVision M90UHD und Ihrem PC.
2. Verbinden Sie Ihren PC mit der AVerVision M90UHD, bevor Sie ihn einschalten.
3. Am Notebook drücken Sie mehrmals FN+F5, um zwischen den Anzeigemodi umzuschalten und das Computerbild auf dem Präsentationsbildschirm anzuzeigen. Angaben zu den Befehlen entnehmen Sie bitte Ihrem Laptop-Handbuch.

Nach der Umschaltung vom Kamera- in den PC-Modus wird das Desktop-Bild von meinem PC oder Notebook nicht richtig am Präsentationsbildschirm angezeigt.

1. Platzieren Sie die Maus auf dem Desktop Ihres PC oder Notebooks und klicken Sie mit der rechten Maustaste. Wählen Sie „Properties“ (Eigenschaften), die Registerkarte „Settings“ (Einstellungen) und klicken Sie auf Monitor „2“. Aktivieren Sie das Kontrollkästchen „Extend my Windows desktop onto this monitor“ (Windows-Desktop auf diesem Bildschirm anzeigen).
2. Platzieren Sie die Maus erneut auf dem Desktop Ihres PC oder Notebooks und klicken Sie erneut.
3. Wählen Sie nun „Graphics Options“ (Grafikoptionen), danach „Output To“ (Ausgabe auf) und „Intel® Dual Clone-Displays“. Wählen Sie nun „Monitor + Notebook“.
4. Nachdem Sie diese Schritte ausgeführt haben, sollten Sie das Desktop-Bild auf Ihrem PC oder Notebook sowie auf dem Präsentationsbildschirm sehen.

AVerVision M90UHD kann das USB-Laufwerk nicht erkennen.

Stellen Sie sicher, dass das USB Flash-Laufwerk richtig eingeführt ist und das richtige Format hat. Es wird nur FAT32 unterstützt

Garantie

Für die Zeit ab dem Kauf des zutreffenden Produkts und, wie im Abschnitt **“Warranty Period of AVer Product Purchased (Garantiezeit erworbener AVer-Produkte)”** erweiternd festgelegt ist, garantiert AVer Information Inc. (“AVer”), dass das zutreffende Produkt (“Produkt”) im Wesentlichen mit AVers Dokumentation für das Produkt übereinstimmt und dass seine Fertigung und seine Komponenten bei normaler Benutzung keine Fehler in Bezug auf Material und Ausführung aufweisen. In dieser Vereinbarung steht der Begriff „Sie“ für Sie als Einzelperson oder für das Unternehmen, in dessen Namen Sie das Produkt benutzen oder installieren. Diese eingeschränkte Garantie gilt ausschließlich für Sie, den Erstkäufer. Mit Ausnahme der vorhergehenden Ausführungen wird das Produkt ohne Mängelgewähr geliefert. In keinem Fall garantiert AVer den problemlosen oder unterbrechungslosen Betrieb des Produktes sowie die Eignung des Produktes für Ihre Zwecke. Ihre exklusiven Ansprüche sowie die gesamte Haftung von AVer gemäß dieses Abschnitts beschränkt sich nach AVers Ermessen auf die Reparatur oder den Austausch des Produktes gegen ein identisches oder vergleichbares Produkt. Diese Garantie gilt nicht für a) jedwede Produkte, deren Seriennummer unkenntlich gemacht, modifiziert oder entfernt wurde und nicht b) für Kartons, Behälter, Batterien, Gehäuse, Bänder oder Zubehörteile, die mit diesem Produkt verwendet werden. Diese Garantie umfasst keinerlei Produkte, die Schäden, Verschleiß oder Fehlfunktionen aufweisen, die durch a) Unfall, Missbrauch, bestimmungswidrigen Gebrauch, Nachlässigkeit, Feuer, Wasser, Blitzschlag oder sonstige höhere Gewalt, kommerzielle oder industrielle Nutzung, nicht autorisierte Modifikationen oder Nichteinhaltung der mit dem Produkt gelieferten Anweisungen, b) nicht vom Hersteller autorisierte Wartungs- und Reparaturoingriffe, c) jegliche Transportschäden (solche Ansprüche müssen dem ausführenden Unternehmen gegenüber geltend gemacht werden) oder d) sämtliche weiteren Ursachen entstehen, die nicht auf Defekte des Produktes selbst zurückzuführen sind. Die für jegliche reparierte oder ausgetauschte Produkte gültige Garantiezeit entspricht entweder a) der ursprünglichen Garantiezeit oder b) der Dauer von 30 Tagen ab Auslieferung des reparierten oder ausgetauschten Produktes; es gilt die jeweils längere Zeitspanne.

Garantieeinschränkungen

AVer gewährt keinerlei Garantien gegenüber Dritten. Sie sind für sämtliche Ansprüche, Schadensersatzansprüche, Schlichtungen, Auslagen und Anwaltsgebühren hinsichtlich Ansprüchen gegenüber Ihnen verantwortlich, die aus dem Gebrauch oder Missbrauch des Produktes entstehen. Diese Garantie gilt ausschließlich dann, wenn das Produkt in Übereinstimmung mit den AVer-Spezifikationen installiert, bedient, gewartet und genutzt wird. Insbesondere deckt diese Garantie keinerlei Schäden ab, die durch Folgendes verursacht werden: (1) Unfall, ungewöhnliche physische, elektrische oder elektromagnetische Belastung, Nachlässigkeit oder Missbrauch, (2) Stromschwankungen über die von AVer festgelegten Spezifikationen hinaus, (3) Einsatz des Produktes mit jeglichen Zubehörteilen oder Optionen, die nicht von AVer oder von ihr autorisierten Vertretern hergerichtet werden, (4) Installation, Modifikation oder Reparatur des Produktes durch andere Personen oder Institutionen als durch AVer oder autorisierte Vertreter.

Haftungsausschluss

Wenn nicht ausdrücklich in dieser Vereinbarung erwähnt, lehnt AVer sämtliche weiteren Garantien in Bezug auf das Produkt unter maximaler Ausschöpfung rechtlicher Mittel ab; ob ausdrücklich, implizit, statutarisch oder auf sonstige Weise, einschließlich und ohne Einschränkung hinsichtlich zufriedenstellender Qualität, Handelssitte, Handelstauglichkeit, Handelsbrauch sowie hinsichtlich impliziter Zusicherung allgemeiner Gebrauchstauglichkeit, Eignung für einen bestimmten Zweck oder Nichtverletzung von Rechten Dritter.

Haftungseinschränkungen

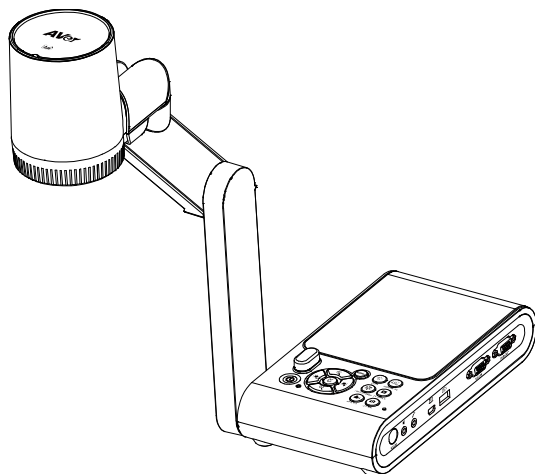
In keinem Fall haftet AVer für indirekte, beiläufige, spezielle, exemplarische, Entschädigungs- oder Folgeschäden jedweder Art, einschließlich, jedoch nicht beschränkt auf entgangenen Gewinn, Datenverluste, Einkommensverluste, Produktionsausfälle, Nutzungsausfälle, Geschäftsunterbrechung, Beschaffung von Ersatzgütern oder Ersatzdiensten in Folge oder in Verbindung mit dieser eingeschränkten Garantie oder dem Einsatz oder der Leistung jeglicher Produkte, ob vertraglich oder nach Deliktrecht, einschließlich Nachlässigkeit oder sonstiger rechtlichen Verbindlichkeit, selbst wenn AVer auf die Möglichkeit solcher Schäden hingewiesen wurde. AVers Gesamthaftung für Schäden jeglicher Art übersteigt in keinem Fall und unabhängig von der Art des Vorgangs den Betrag, den Sie an AVer für das jeweilige Produkt, auf welches sich die Haftung bezieht, gezahlt haben.

Das Gesetz und Ihre Rechte

Diese Garantie verleiht Ihnen bestimmte gesetzliche Rechte; eventuell werden Ihnen weitere Rechte eingeräumt. Diese Rechte variieren von Land zu Land.



Die Garantiezeit entnehmen Sie bitte der Garantiekarte.



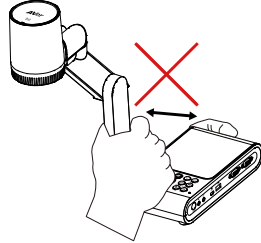
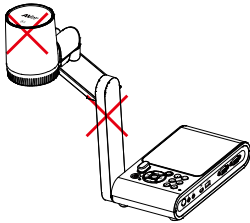
AVerVision M90UHD

Mode d'emploi

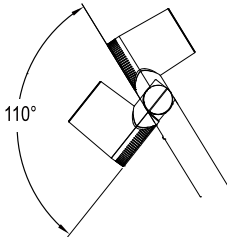


AVERTISSEMENT

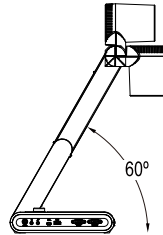
- Pour réduire les risques d'incendie ou d'électrocution, n'exposez pas l'appareil à la pluie ou à l'humidité. La garantie sera annulée si des modifications non autorisées sont apportées à l'appareil.
- Ne laissez pas tomber la caméra et évitez les chocs physiques.
- Utilisez la tension d'alimentation correcte pour éviter d'endommager l'appareil.
- Ne placez pas l'appareil à un endroit où vous pouvez marcher sur le cordon car cela pourrait conduire à l'effilochage ou endommager le cordon ou la fiche.
- Tenez le bas de la caméra des deux mains pour déplacer celle-ci. Ne pas déplacer la caméra en la tenant par l'objectif ou le bras flexible.
- Ne tirez pas le bras mécanique et la partie caméra dans une direction opposée.



- Ne pas déplacer la tête de caméra de plus de 110° pour éviter toute usure de celle-ci.



- Ne pas abaisser le bras mécanique au-dessous de 60° pour éviter l'usure de la caméra.





LE SYMBOLE DE POUBELLE AVEC UNE CROIX DESSUS INDIQUE QUE CET APPAREIL NE DOIT PAS ÊTRE JETÉ DANS UNE POUBELLE ORDINAIRE. VOUS DEVEZ VOUS DÉBARRASSER DE CET APPAREIL, LORSQUE VOUS N'EN AVEZ PLUS BESOIN, EN L'EMMENANT DANS UN POINT DE COLLECTE SPÉCIALEMENT CONÇU POUR LE RECYCLAGE DES APPAREILS ÉLECTRIQUES ET ÉLECTRONIQUES. POUR PLUS D'INFORMATIONS SUR LES POINTS DE COLLECTE POUR LE RECYCLAGE SITUÉS PRÈS DE CHEZ VOUS, CONTACTEZ VOTRE SERVICE DE RECYCLAGE DES APPAREILS RÉSIDENTIELS OU LE MAGASIN OU VOUS AVEZ ACHETÉ CET APPAREIL.

Avertissement

Ce produit est de classe A. Dans un environnement domestique, ce produit peut provoquer des interférences radio. Dans ce cas, l'utilisateur peut se voir exiger d'adopter des mesures appropriées.

Information de sécurité sur les piles de la commande à distance

- Rangez les piles en un lieu frais et sec.
- Ne jetez pas les piles avec les ordures ménagères Déposez-les aux points de collecte spécifiques ou rappez-les au magasin, le cas échéant.
- Enlevez les piles en cas de non-utilisation prolongée. Une pile qui fuit peut corroder et endommager la commande à distance ; utilisez les batteries en sécurité.
- Ne mélangez pas, à l'usage, des piles neuves et non neuves.
- Ne mélangez pas, à l'usage, des piles de différents types : alcalines, standard (charbon-zinc) ou rechargeables (nickel-cadmium).
- Ne jetez pas les piles dans le feu.
- Ne mettez pas les bornes d'une pile en court-circuit..

AVIS DE NON-RESPONSABILITÉ

Il n'est offert aucune garantie et il n'est fait aucune déclaration, de manière expresse ni implicite, au sujet du contenu de ces documents, de leur qualité, de leur performance, de leur valeur marchande ni de leur adéquation à un usage en particulier. La fiabilité des informations présentées dans ce document a été soigneusement vérifiée ; cependant, aucune responsabilité n'est assumée concernant d'éventuelles inexactitudes. Les informations contenues dans ces documents sont passibles de modifications sans avis préalable.

En aucun cas AVer ne sera tenu responsable de dommages directs, indirects, accessoires ou immatériels découlant de l'utilisation ou de l'impossibilité d'utiliser ce produit ou cette documentation, même s'il a été prévenu de la possibilité de tels dommages.

MARQUES DE COMMERCE

AVerVision est une marque déposée de AVer Information Inc. IBM PC est une marque déposée de International Business Machines Corporation. Macintosh est une marque déposée de Apple Computer, Inc. Microsoft est une marque de commerce et Windows est une marque déposée de Microsoft Corporation. Tous les autres noms commerciaux ou de produits indiqués dans ce document sont à titre d'information uniquement, et peuvent être des marques enregistrées ou des marques déposées de leurs auteurs respectifs

COPYRIGHT

© 2023 AVer Information Inc. Tous droits réservés. | 9 août 2023

Aucune portion de ce document ne peut être reproduite, transmise, enregistrée ou stockée dans un système de restitution, ni traduite en aucune langue que ce soit, par quelque moyen que ce soit, sans l'autorisation écrite préalable de AVer Information Inc..

Aide Supplémentaire

Pour la FAQ, l'assistance technique et le téléchargement du logiciel et du mode d'emploi, rendez-vous sur le site:

Centre de téléchargement:

<https://www.avereurope.com/download-center>

Assistance Technique:

<https://www.avereurope.com/technical-support>



Coordonnées de contact

AVer Information Europe B.V.

<https://www.avereurope.com>

Westblaak 134, 3012 KM, Rotterdam, The Netherlands

Tel: +31 (0) 10 7600 550

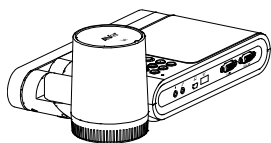
Assistance technique: eu.rma@aver.com

Table des matières

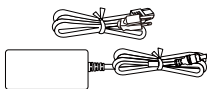
Contenu de l'emballage	1
Accessoires en option	1
Familiarisez-vous avec l'AVerVision M90UHD	1
Panneau droit	3
Panneau gauche.....	3
Panneau arrière	5
Panneau de commande.....	6
Télécommande	8
Branchements	10
Branchement de l'alimentation.....	10
Branchement à un ordinateur via USB.....	11
Branchement à un moniteur ou à un projecteur LCD/DLP par interface VGA/HDMI ...	13
Branchement à un ordinateur via entrée VGA/HDMI	13
Branchement d'un haut-parleur amplifié	16
Branchement d'un microphone	16
Branchement à un microscope	17
Configuration de AVerVision M90UHD	19
Rangement de la caméra pour documents	19
Champ de la caméra.....	20
Lampe zénithale	23
Capteur infrarouge.....	24
Montage du M90UHD sur une surface plate.....	24
Feuille antireflet	25
Stockage en mémoire externe	25
Insertion d'une carte micro SD.....	25
Insertion d'une clé USB	25
Schéma de connexion de RS232	26
Tableau des commandes d'envoi RS-232	27
Tableau des instructions de requête RS-232	31
Menu OSD	32
Navigation dans le menu et les sous-menus	33
Image.....	33
Luminosité	33
Contraste	33
Saturation	34
Mode de prévisualisation	34
Effets.....	34
Miroir.....	35

Réglage de l'exposition.....	35
Exposition manuelle.....	35
Réglage de la balance des blancs.....	36
Balance des blancs Bleu.....	36
Balance des blancs Rouge.....	36
Mise au point.....	37
Réglage.....	38
Résolution de la capture.....	38
Qualité de la capture.....	38
Type de capture.....	38
Capture d'intervalle.....	38
Stockage.....	39
Format.....	39
USB à PC.....	39
Volume du micro.....	39
Démarrage de la minuterie.....	40
Pause/Arrêt de la minuterie.....	40
Intervalle de minuterie.....	40
Système.....	41
Langue.....	41
Affichage de sortie.....	41
Sauvegarde.....	41
Sauvegarde des réglages.....	41
Rétablir les réglages.....	42
Papillotement.....	42
Informations.....	42
Défaut.....	42
Lecture.....	43
Diaporama.....	43
Intervalle.....	43
Stockage.....	43
Effacer tout.....	43
Transférez des images / vidéos capturées sur un ordinateur.....	44
Caractéristiques techniques.....	45
Image.....	45
Optique.....	45
Alimentation.....	45
Éclairage.....	45
Entrée/Sortie.....	45
Dimensions.....	46
Stockage externe.....	46
Guide de dépannage.....	47
Garantie limitée.....	48

Contenu de l'emballage



M90UHD



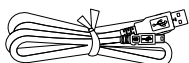
**Adaptateur secteur &
Cordon d'alimentation**



**Commande à
distance**



Pile AAA (x2)



Câble USB



Câble VGA



Carte de garantie



**Guide
d'installation
rapide**

*Le cordon d'alimentation variera selon la prise de courant standard du pays où il est vendu.

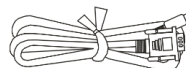
Accessoires en option



Sac de transport



Feuille anti-reflet



Câble RS-232

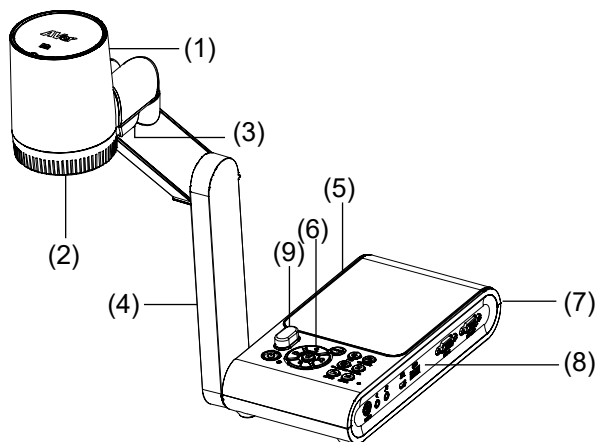


Plaque de jonction



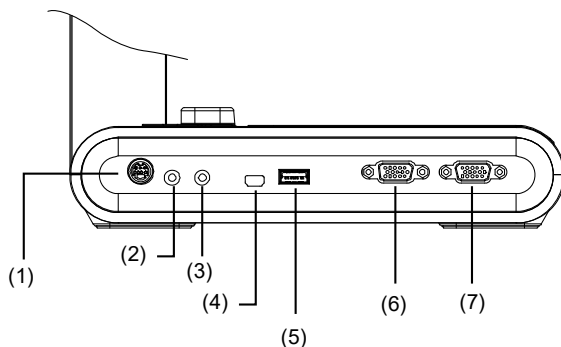
**Adaptateur pour microscope
(Les coupleurs en caoutchouc de 28 mm et 34 mm sont inclus)**

Familiarisez-vous avec l'AVerVision M90UHD



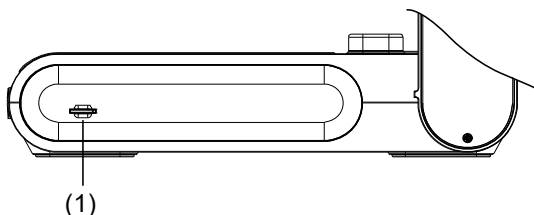
Nom	Fonction
(1) Bloc de caméra	Contient le détecteur de caméra.
(2) Objectif de la caméra	Mise au point de la caméra.
(3) Lampe LED	Fournit de la lumière pour améliorer les conditions d'éclairage.
(4) Bras mécanique	Permet de régler le cadrage.
(5) Panneau gauche	Emplacement pour carte micro SD
(6) Panneau de commande	Accès facile aux différentes fonctions.
(7) Panneau arrière	Connexions d'alimentation, sortie/entrée HDMI pour périphérique d'affichage externe, emplacement compatible avec verrouillage de sécurité Kensington.
(8) Panneau droit	Connexions pour ordinateur, entrée/sortie VGA pour périphérique d'affichage externe, port USB, mini USB, entrée MIC, sortie ligne et RS232 (en option).
(9) Capteur IR	Reçoit les ordres de la télécommande

Panneau droit



Nom	Fonction
(1) Port RS232	Connectez ce port à un ordinateur à l'aide d'un câble RS232. Pour plus de détails, voir « Schéma de connexion RS232 ». (en option)
(2) Port sortie ligne	Connexion à un haut-parleur amplifié pour lire les clips audio et vidéo enregistrés.
(3) Port entrée micro	Connexion à un microphone externe.
(4) Mini port USB	Connexion au port USB d'un ordinateur grâce au câble USB et utilise AVerVision M90UHD comme caméra USB ou transfère les images / vidéos capturées de la source mémoire à l'ordinateur.
(5) Port USB	Insérer une clé USB pour enregistrer les images / vidéos directement à partir de la clé USB.
(6) Port VGA IN	Introduction du signal depuis un ordinateur ou d'autres sources et sa transmission uniquement au port VGA OUT. Connexion de ce port au port de sortie VGA d'un ordinateur.
(7) Port VGA OUT	Connexion d'AVerVision M90UHD à n'importe quel périphérique d'affichage à l'aide du câble VGA.

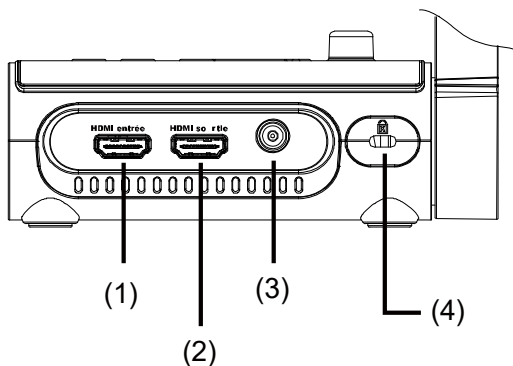
Panneau gauche



Nom	Fonction
(1) Fente pour carte	Insertion de la carte micro SD avec l'étiquette tournée vers le haut. La

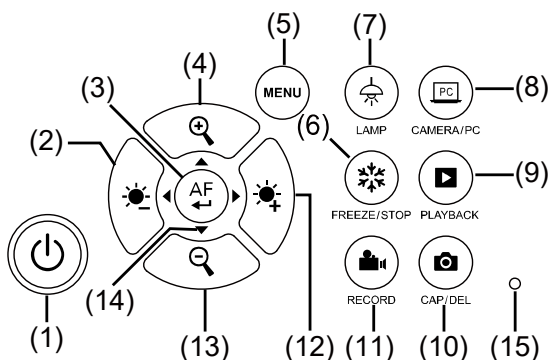
Nom	Fonction
micro SD	carte Micro SD peut stocker des fichiers d'images capturées et de vidéos enregistrées.

Panneau arrière



Nom	Fonction
(1) Port HDMI IN	Connexion d'une source HDMI externe comme entrée via ce port. Connexion de ce port au port de sortie HDMI d'un ordinateur.
(2) Port HDMI OUT	Transmission du signal vidéo du système principal sur un écran plat interactif, un moniteur LCD ou un projecteur LCD / DLP avec interface HDMI à l'aide d'un câble HDMI.
(3) DC 5V	Branchement de l'adaptateur secteur à ce port.
(4) Fente Antivol	Connexion d'un verrouillage de sécurité compatible Kensington ou d'un périphérique antivol

Panneau de commande



Nom	Fonction
(1) POWER	Mise en marche/arrêt/veilleuse
(2)	Réduction de la luminosité.
(3)	<ul style="list-style-type: none"> - Sélection en mode Lecture et dans le menu OSD. - Marche/Pause de la lecture de la vidéo - Réglage automatique de la mise au point.
(4)	Augmentation de l'agrandissement de l'image dans la caméra et le mode de lecture d'image.
(5) MENU	Ouvrir et quitter le menu et sous-menu OSD.
(6) FREEZE/STOP	<ul style="list-style-type: none"> - Mettre en pause ou reprendre l'affichage de l'image en mode Caméra. - Arrêtez la lecture audio et vidéo en mode lecture.
(7) LAMP	Allumer / éteindre l'éclairage zénithal.
(8) CAMERA / PC	Commuter le signal vidéo entre la caméra et l'ordinateur depuis le port VGA ou HDMI IN.
(9) PLAYBACK	Afficher et lire les images fixes capturés et les fichiers vidéo.
(10) CAP/DEL	<ul style="list-style-type: none"> - Capturer une photo en mode Camera. En mode de capture continue, appuyer à nouveau sur ce bouton pour arrêter. - Effacer la photo/vidéo sélectionnée en mode lecture.
(11) RECORDING	Démarrer/Arrêter l'enregistrement audio/vidéo. Les enregistrements audio et vidéo ne peuvent être sauvegardés que dans une carte SD ou une clé USB. Voir Stockage en mémoire externe .

(12) 

Augmenter la luminosité.

(13) 

Diminuer l'agrandissement de l'image dans la caméra et le mode de lecture d'image.

(14) ▲, ▼, ◀, & ▶

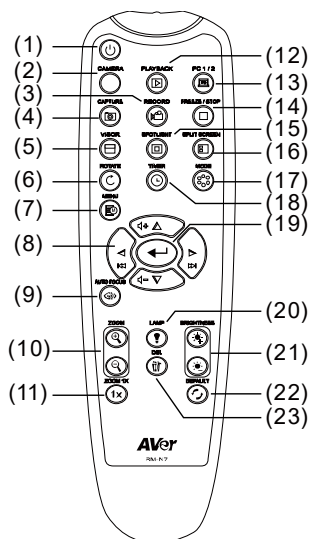
- Panoramique et zoom avant (au-dessus du niveau de zoom numérique) en mode en direct.
- Sélectionner options dans menu OSD.
- Utilisez ▲ & ▼ pour augmenter et diminuer le volume de la lecture vidéo.
- Utilisez ◀ & ▶ pour lire la vidéo en arrière et en avant.

(15) Micro intégré

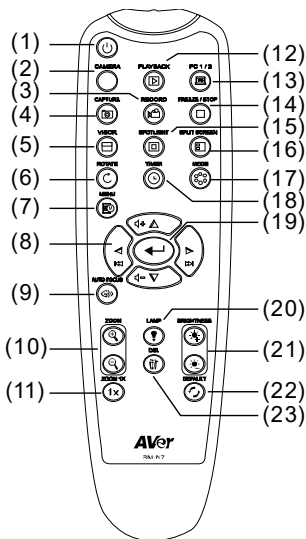
Enregistrez le son pendant l'enregistrement vidéo. Le son sera enregistré en mono.


Télécommande

La télécommande nécessite deux (2) piles de taille «AAA» (fournies), assurez-vous que les piles sont correctement installées avant utilisation. Vous pouvez accéder à toutes les fonctionnalités de AVerVision M90UHD à l'aide de la télécommande.



Nom	Fonction
(1) POWER	Mise en marche/arrêt/veille
(2) CAMERA	Le mode caméra affiche le signal vidéo de la caméra intégrée.
(3) RECORD	Démarrer/Arrêter l'enregistrement audio/vidéo. L'enregistrement vidéo ne peut être sauvegardé que sur une carte mémoire SD ou une clé USB.
(4) CAPTURE	Capturer une photo en mode Camera. En mode de capture continue, appuyer de nouveau sur ce bouton pour arrêter.
(5) VISOR	Non supporté
(6) ROTATE	Fait pivoter l'image de 0/180° en mode Caméra.
(7) MENU	Ouvrir ou quitter le menu OSD.
(8) ▲, ▼, ◀, & ▶	<ul style="list-style-type: none"> - Panoramique et zoom avant (au-delà de la plage du zoom numérique) en mode direct. - Sélectionner options dans menu OSD. - Utilisez ▲ & ▼ pour augmenter ou diminuer le volume de la lecture vidéo. - Utilisez ◀ & ▶ pour lire la vidéo en marche arrière ou avant.
(9) AUTO FOCUS	Réglage automatique de la mise au point.
(10) ZOOM +/-	Augmenter/diminuer le grossissement de l'image en mode caméra ou lecture photo.
(11) ZOOM 1X	Réinitialiser le niveau de zoom à 100 %.
(12) PLAYBACK	Afficher les images/vidéos capturées à partir des images de la mémoire.
(13) PC 1/2	Le mode PC affiche le signal vidéo provenant du port VGA / HDMI INPUT de M90UHD.
(14) FREEZE / STOP	<ul style="list-style-type: none"> - Geler l'image live. - Arrêt de la lecture vidéo.
(15) SPOTLIGHT	Non supporté
(16) SPLIT SCREEN	Non supporté



Nom	Fonction
(17) MODE	Appuyez pour basculer entre les modes Normal, Haute fréquence, Qualité supérieure, Microscope, Infini ou Macro.
(18) TIMER	Affiche le sous-menu Minuterie. Sélectionnez pour démarrer/suspendre/arrêter le compte à rebours de la minuterie.
(19) 	- Faire une sélection en mode Lecture ou dans le menu OSD. - Lecture/pause de la lecture vidéo.
(20) LAMP	Allumer/éteindre l'éclairage zénithal.
(21) BRIGHTNESS +/-	Réglage de la luminosité.
(22) DEFAULT	Restauration des paramètres usine par défaut
(23) DEL	Effacer les photos/vidéos sélectionnées en mode lecture.



Sélectionnez Intervalle de minuterie pour en définir la durée.



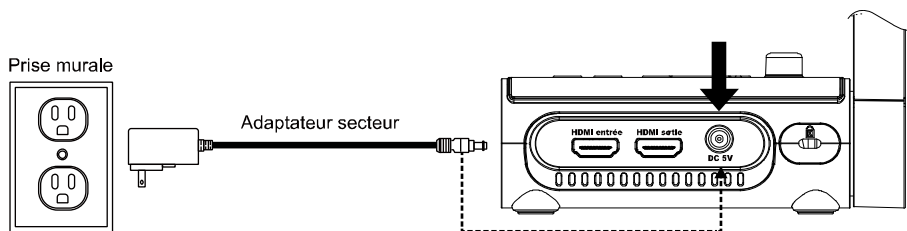
Branchements

Avant de faire un branchement, assurez-vous que tous les appareils sont éteints. Si vous n'êtes pas sûr de l'endroit où vous branchez, voyez simplement les illustrations des connexions ci-dessous et reportez-vous au mode d'emploi de l'appareil que vous connectez à l'AVerVision M90UHD.

Branchement de l'alimentation

Branchez l'adaptateur d'alimentation à une prise de courant alternatif standard 100 V~240 V AC. L'unité se met automatiquement en mode veille une fois l'alimentation connectée.

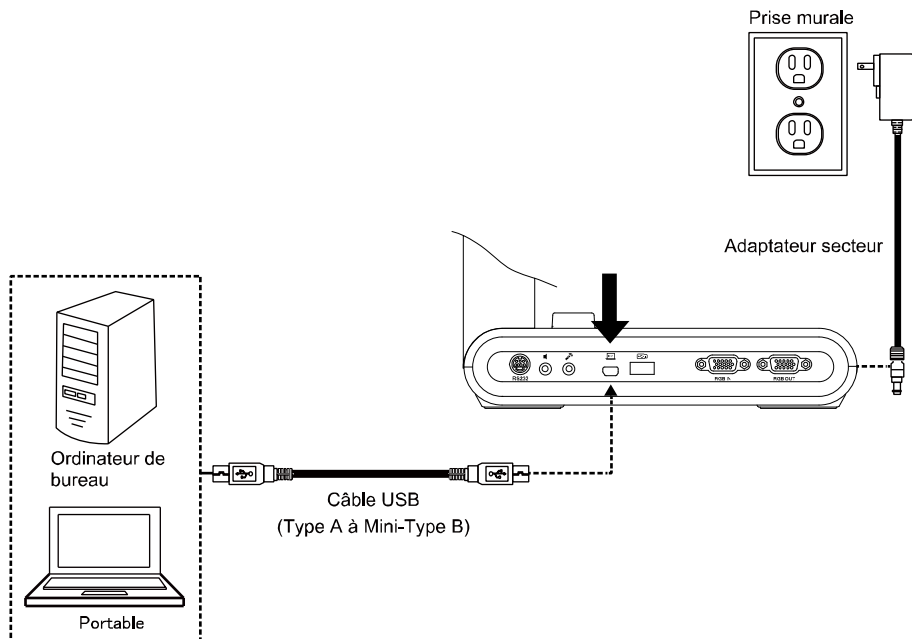
Appuyez sur  pour allumer.



*La prise murale varie selon certaines régions.

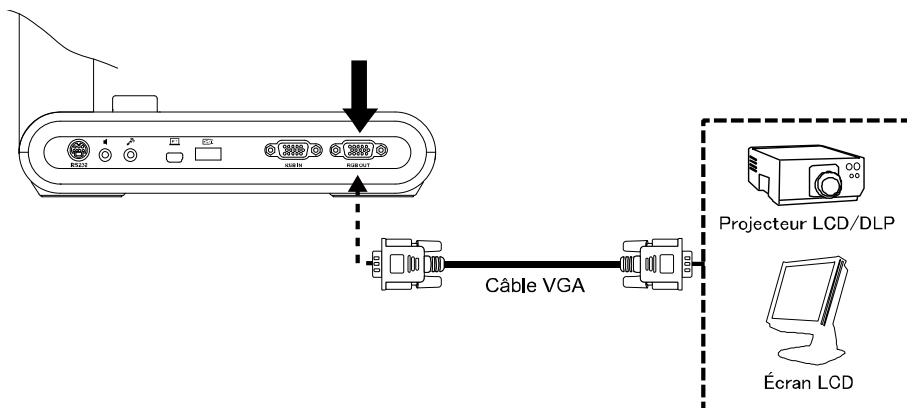
Branchement à un ordinateur via USB

Repérez le port USB de l'ordinateur de bureau ou portable et raccordez-le au port PC de l'AVerVision M90UHD. Ainsi, votre M90UHD peut être utilisé comme caméra USB, vous pouvez le sélectionner comme caméra lorsque vous allumez des logiciels comme Skype, Teams et Zoom, etc.

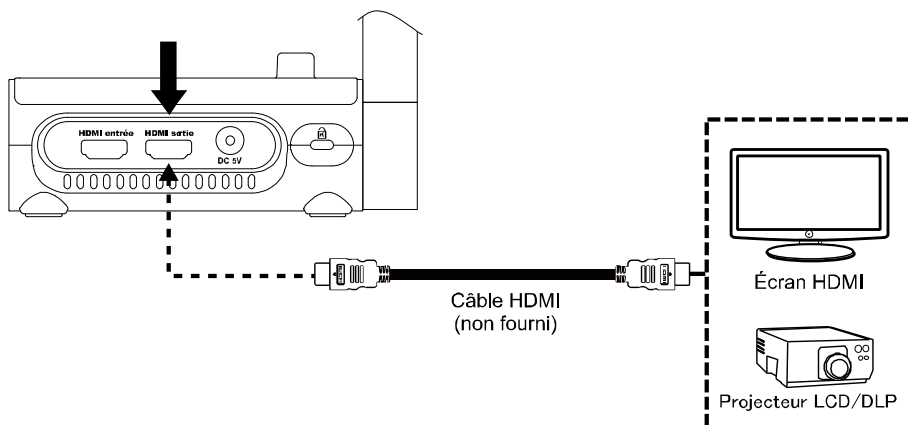


Branchement à un moniteur ou à un projecteur LCD/DLP par interface VGA/HDMI

Repérez le port d'entrée VGA/HDMI de l'appareil d'affichage et raccordez-le au port VGA/HDMI OUT de l'AVerVision M90UHD.



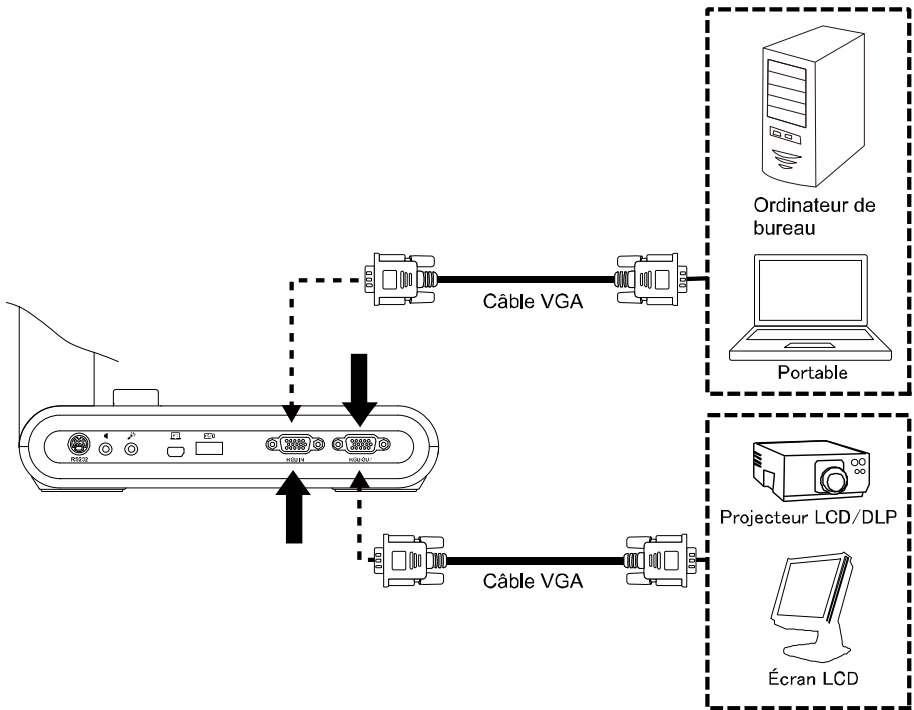
* Raccordement du câble VGA



* Raccordement du câble HDMI

Branchement à un ordinateur via entrée VGA/HDMI

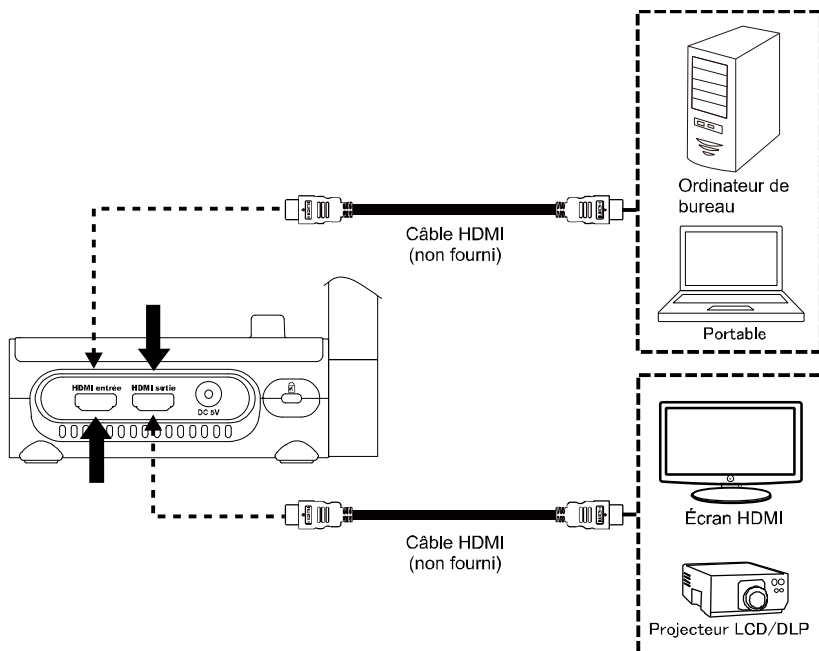
Repérez le port d'entrée VGA/HDMI de l'appareil d'affichage et raccordez-le au port de sortie VGA/HDMI de AVerVision M90UHD.



De l'autre côté, repérez le port de sortie VGA/HDMI de l'ordinateur ou du portable et raccordez-le au port d'entrée VGA/HDMI de AVerVision M90UHD. Le signal vidéo provenant du port VGA/HDMI IN est diffusé au port VGA / HDMI OUT.

[Note]

- Pour afficher l'image sur l'ordinateur, appuyez sur le bouton **Camera/PC** du panneau de commande ou de la télécommande pour passer AVerVision M90UHD en mode ordinateur.
- Pour qu'un ordinateur portable produise une image, utilisez la commande clavier (FN + F5) pour passer d'un mode à l'autre. Pour toute commande différente, veuillez vous référer au manuel de votre ordinateur portable.

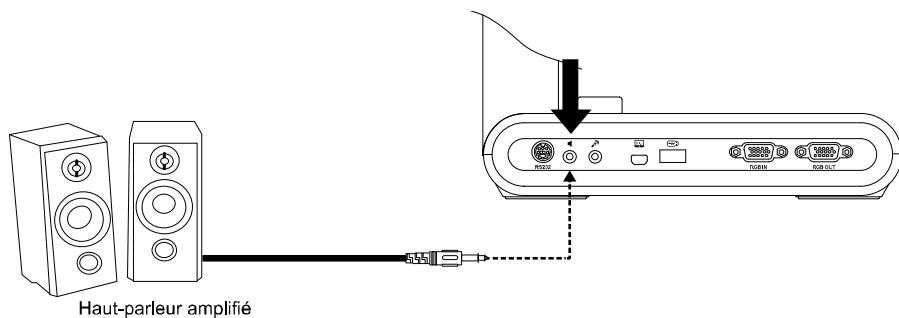


Branchement d'un haut-parleur amplifié

Branchez un haut-parleur amplifié muni d'une prise jack de 3,5 mm sur le port Line Out (🔊). Seul le son de la lecture vidéo est pris en charge.

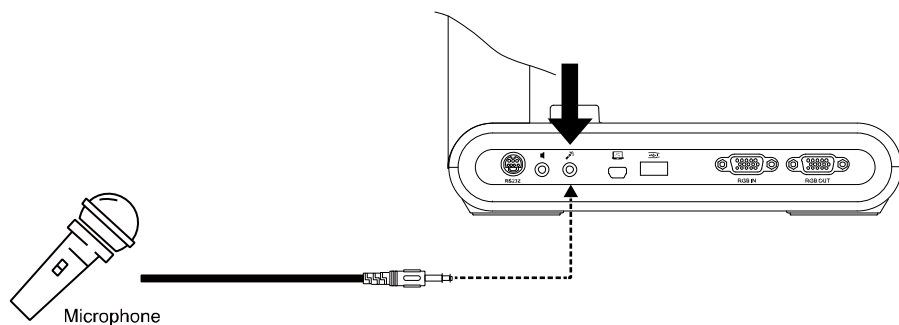
[Note]

Nous vous recommandons de brancher un haut-parleur amplifié au port Line Out. Soyez prudent si vous utilisez des écouteurs. Baissez le volume avec la télécommande pour éviter tout dommage auditif.




Branchement d'un microphone

Branchez un microphone avec prise jack de 3,5 mm au port MIC In (🎤).



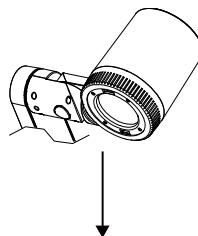
Branchement à un microscope

Connecter AVerVision M90UHD à un microscope vous permet d'examiner des objets microscopiques sur un grand écran.

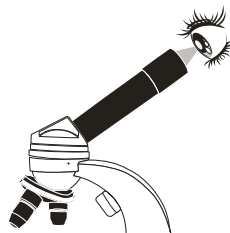
1. Modifiez le mode d'affichage de l'image sur Microscope. Sélectionnez l'onglet **IMAGE** > sélectionnez **Preview Mode** > sélectionnez **Microscope** et appuyez sur .



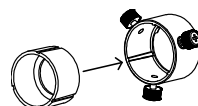
2. Dirigez le bloc caméra vers un point le plus éloigné possible et appuyez sur **AUTO FOCUS** (mise au point automatique).



3. Ajustez la mise au point du microscope.



4. Sélectionnez le coupleur en caoutchouc le plus approprié pour la taille de l'oculaire du microscope et insérez-le dans l'adaptateur du microscope.



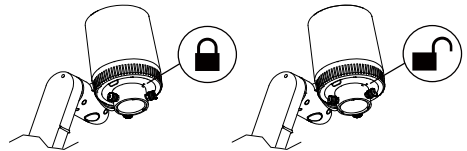
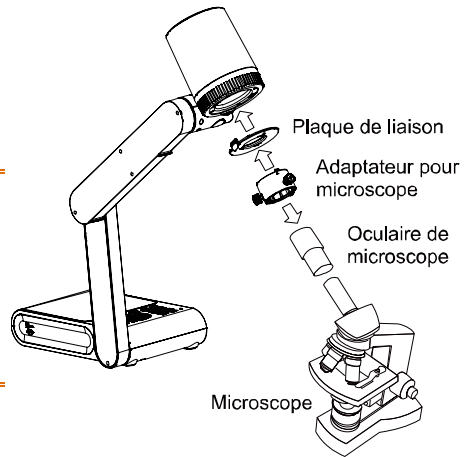
5. Retirez l'oculaire du microscope et raccordez-le à l'adaptateur du microscope grâce au coupleur en caoutchouc inséré. Serrez les 3 vis jusqu'à ce que l'oculaire tienne dans l'adaptateur.



- Nous recommandons d'utiliser des oculaires de 33 mm ou plus d'eye relief (séparation admissible entre l'œil et l'oculaire)
- Effectuez l'ajustement manuellement pour obtenir une meilleure image.

6. Fixez l'adaptateur de microscope au bloc caméra AVerVision à l'aide de la plaque de liaison. Puis raccordez-le à l'AVerVision et au microscope.

Assurez-vous que les flèches sur la caméra et sur l'adaptateur de microscope sont alignées. Tournez vers la gauche et verrouillez.

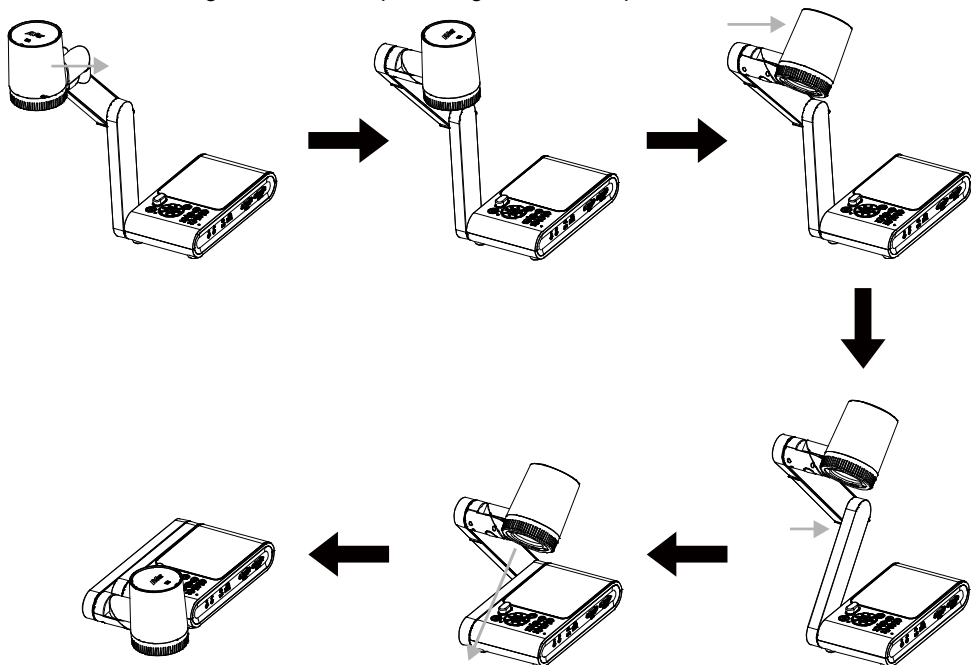


Configuration de AVerVision M90UHD

Cette section propose des conseils utiles quant à la façon d'ajuster AVerVision M90UHD pour répondre à vos besoins.

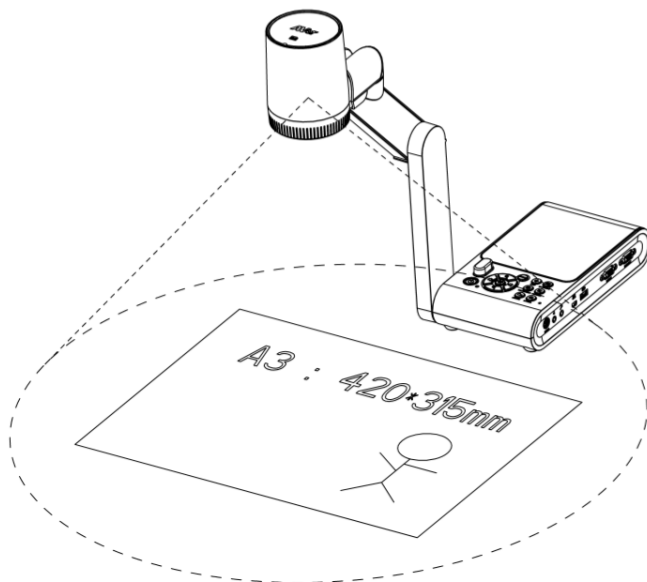
Rangement de la caméra pour documents

Veillez suivre la figure ci-dessous pour ranger la caméra pour documents.

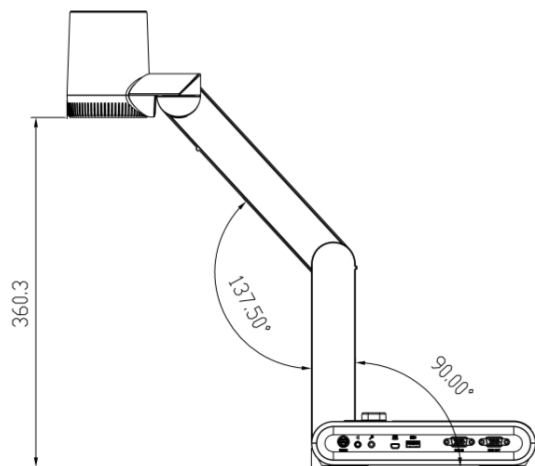


Champ de la caméra

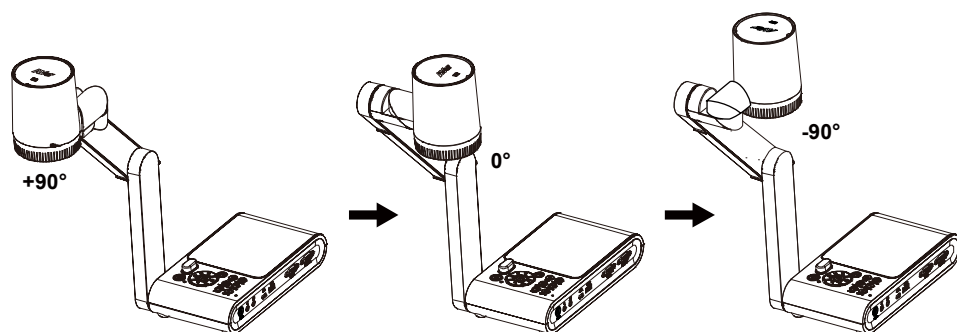
La taille du champ peut atteindre jusqu'à 420 x 315 mm en mode prévisualisation haute définition.



Lorsque la caméra est positionnée à une hauteur de 360,3 mm, la taille du champ correspondra au format A3.



Le bloc caméra peut être tourné de 90° comme illustré ci-dessous.

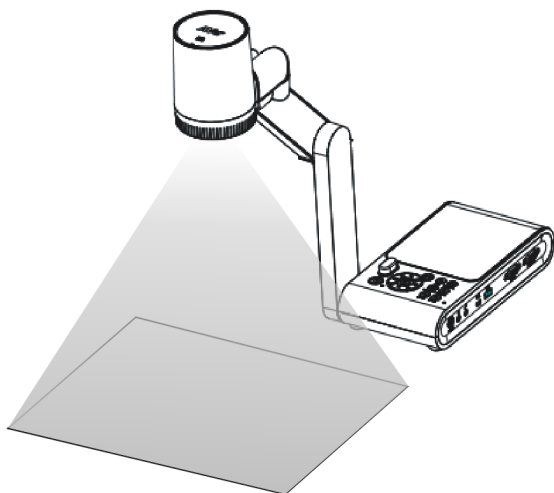
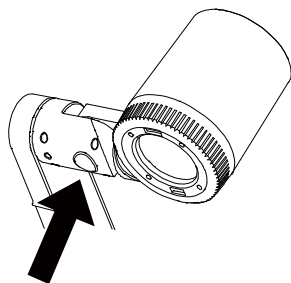


Pour activer l'effet miroir, appuyez sur **MENU** > sélectionnez **Miroir**, appuyez sur et  sélectionnez «**On**».



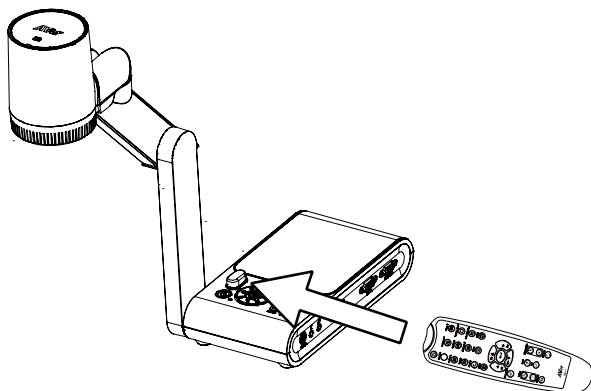
Lampe zénithale

Appuyez sur le bouton LAMP (lampe) du panneau de commande ou de la télécommande pour allumer ou éteindre l'éclairage.



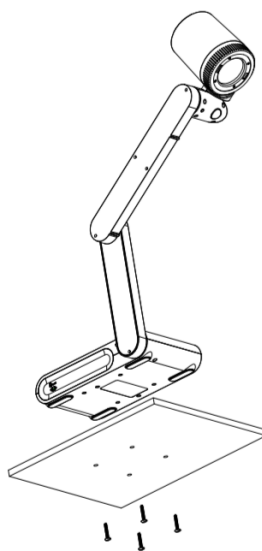
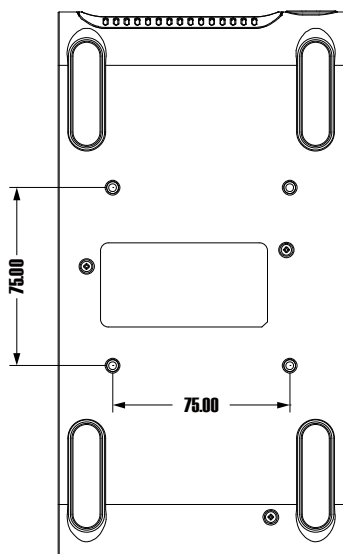
Capteur infrarouge

Dirigez la télécommande vers le capteur infrarouge pour faire fonctionner l'appareil.



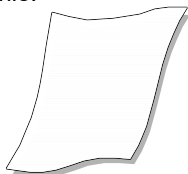
Montage du M90UHD sur une surface plate.

Mesurez et marquez le segment de 75 cm correspondant à la distance entre les trous tel qu'indiqué dans l'illustration ci-dessous. Utilisez 2 ou 4 vis M4.0 pour trous de 6 mm et fixez le M90UHD sur la surface plate.



Feuille antireflet

La feuille antireflet est recouverte d'un film spécial servant à éliminer tout reflet pouvant apparaître lors du visionnage d'objets à fort pouvoir réfléchissant ou de surfaces brillantes telles que les magazines ou les photos. Il suffit de placer la feuille antireflet sur le document brillant pour réduire la lumière réfléchie.

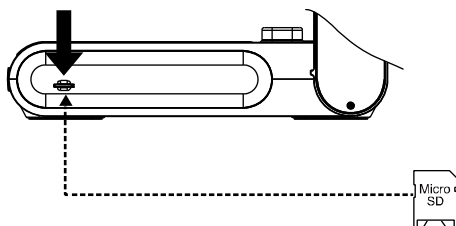


Stockage en mémoire externe

AVerVision M90UHD prend en charge aussi bien la carte mémoire Micro SD que la clé USB pour plus de capture d'images et d'enregistrements audio et vidéo. AVerVision M90UHD détecte la présence d'un support de stockage externe et utilise automatiquement le dernier dispositif de stockage détecté. Si aucun dispositif de stockage externe n'est connecté, toutes les images fixes capturées seront enregistrées dans la mémoire intégrée.

Insertion d'une carte micro SD

Insérez la carte à fond avec les contacts vers le bas. Pour retirer la carte, poussez pour la libérer puis tirez. La capacité de la carte micro SD prise en charge varie de 1 Go à 32 Go (FAT32).



Insertion d'une clé USB

Branchez la clé USB au port USB. AVerVision M90UHD peut prendre en charge les clés USB de 32 Go maximum. **Il est préférable de formater la clé USB à l'aide de AVerVision M90UHD pour de meilleurs enregistrements vidéo.**

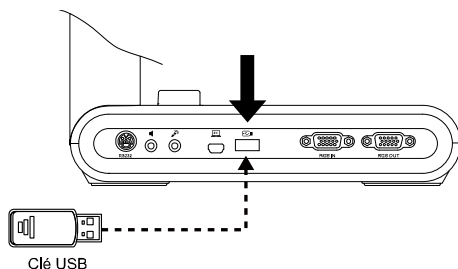


Schéma de connexion de RS232

AVerVision M90UHD peut être commandé depuis un ordinateur ou de tout panneau de commande centralisé via une connexion RS232.

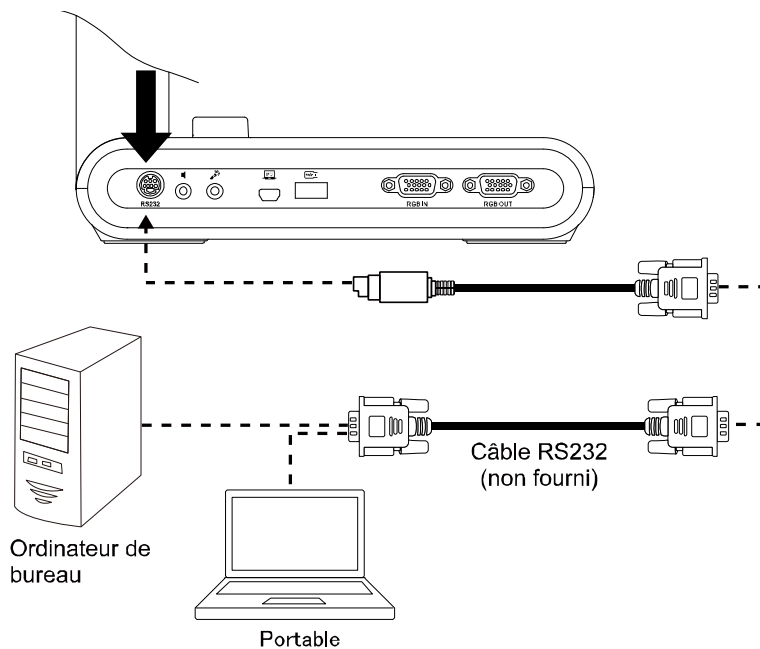


Tableau des commandes d'envoi RS-232

Format d'envoi : 0x52 + 0x0B + 0x03 + Donnée[0] + Donnée[1] + Donnée[2] + 0x53 + Somme de contrôle*1

Format de réception avec succès : 0x53 + 0x00 + 0x02+ *2 + 0x00 + 0x52 + Somme de contrôle*4

Format de réception anormale : 0x53 + 0x00 + 0x01+ *3 + 0x52 + Somme de contrôle*5

*1 : Somme de contrôle = 0x0B xor 0x03 xor Donnée[0] xor Donnée[1] xor Donnée[2] xor 0x53

*2 : Données reçues ok : 0x0B, Pas de commande : 0x03

*3 : Erreur d'ID : 0x01, Erreur de somme de contrôle : 0x02, Échec fonction = 0x04

*4 : Somme de contrôle = 0x00 xor 0x02 xor *2 xor 0x00 xor 0x52

*5 : Somme de contrôle = 0x00 xor 0x01 xor *3 xor 0x52

*6 : Données reçues mode veille = 0x51 + 0xFF + 0x01 + 0x0B + 0x51 + 0xA4

Données reçues mode allumé = Pas de retour de données

*7 : Données reçues mode veille = 0x51 + 0x00 + 0x01 + 0x0B + 0x51 + 0x5B

Données reçues mode allumé = 0x53 + 0x00 + 0x02 + 0x0B + 0x00 + 0x52 + 0x5B

Fonction	Donnée[0]	Donnée[1]	Donnée[2]	Somme de contrôle
ETEINT ⁶	0x01	0x00	0x00	0x5a
ALLUME ⁷	0x01	0x01	0x00	0x5b
MODE CAMERA	0x02	0x00	0x00	0x59
MODE LECTURE	0x03	0x00	0x00	0x58
PC 1/2	0x04	0x00	0x00	0x5f
TYPE CAPTURE IMAGE : UNIQUE	0x05	0x00	0x00	0x5e
TYPE CAPTURE IMAGE : CONTINUE	0x05	0x01	0x00	0x5f
INTERVALLE CAPTURE CONT. +	0x06	0x00	0x00	0x5d
INTERVALLE CAPTURE CONT. -	0x06	0x01	0x00	0x5c
RÉSOLUTION CAPTURE D'IMAGE : NORMALE	0x07	0x00	0x00	0x5c
RÉSOLUTION CAPTURE D'IMAGE : 13M	0x07	0x01	0x00	0x5d
DÉMARRAGE MINUTERIE	0x08	0x00	0x00	0x53
PAUSE MINUTERIE	0x08	0x01	0x00	0x52
ARRET MINUTERIE	0x08	0x02	0x00	0x51
TEMPS DEFINI MINUTERIE	0x08	0x03	Valeur[1 ~ 120]	*1
MODE PREVISUAL : MOUVANCE	0x0A	0x02	0x00	0x53
MODE PREVISUAL : MICROSCOPE	0x0A	0x03	0x00	0x52

Fonction	Donnée[0]	Donnée[1]	Donnée[2]	Somme de contrôle
MODE PREVISUAL : MACRO-INDICATEURS	0x0A	0x04	0x00	0x55
MODE PREVISUAL : INFINI	0x0A	0x05	0x00	0x54
MODE PREVISUAL : NORMAL	0x0A	0x06	0x00	0x57
MODE PREVISUAL : HAUTE QUALITÉ	0x0A	0x07	0x00	0x56
PREVISUAL CAPTURE	0x0B	0x00	0x00	0x50
EFFACER LECTURE	0x0C	0x00	0x00	0x57
LECTURE PLEIN ÉCRAN	0x0D	0x00	0x00	0x56
MIROIR DESACTIVE	0x0E	0x00	0x00	0x55
MIROIR ACTIVE	0x0E	0x01	0x00	0x54
PIVOTER ARRÊT	0x0F	0x00	0x00	0x54
PIVOTER ACTIVE	0x0F	0x02	0x00	0x56
EFFET : COULEUR	0x10	0x00	0x00	0x4b
EFFET : N/B	0x10	0x01	0x00	0x4a
EFFET : NÉGATIF	0x10	0x02	0x00	0x49
AUGMENTER CONTRASTE	0x11	0x00	0x00	0x4a
DIMINUER CONTRASTE	0x11	0x01	0x00	0x4b
VALEUR CONTRASTE	0x11	0x02	Valeur[1 ~ 255]	*1
AUGMENTER LUMINOSITÉ	0x12	0x00	0x00	0x49
DIMINUER LUMINOSITÉ	0x12	0x01	0x00	0x48
VALEUR LUMINOSITE	0x12	0x02	Valeur[1 ~ 255]	*1
EXPOSITION : AUTOMATIQUE	0x13	0x00	0x00	0x48
EXPOSITION : MANUELLE	0x13	0x01	0x00	0x49
AUGMENTER EXPOSITION MANUELLE	0x14	0x00	0x00	0x4f
DIMINUER EXPOSITION MANUELLE	0x14	0x01	0x00	0x4e
BALANCE BLANCS : AUTOMATIQUE	0x15	0x00	0x00	0x4e
BALANCE BLANCS : MANUELLE	0x15	0x01	0x00	0x4f
BALANCE BLANCS AUGMENTER BLEU	0x16	0x00	0x00	0x4d
BALANCE BLANCS DIMINUER BLEU	0x16	0x01	0x00	0x4c
BALANCE BLANCS AUGMENTER ROUGE	0x17	0x00	0x00	0x4c
BALANCE BLANCS DIMINUER ROUGE	0x17	0x01	0x00	0x4d

Fonction	Donnée[0]	Donnée[1]	Donnée[2]	Somme de contrôle
PAPILLOTEMENT : 50 Hz	0x18	0x00	0x00	0x43
PAPILLOTEMENT : 60 Hz	0x18	0x01	0x00	0x42
ENREGISTREMENT : DESACTIVE	0x23	0x00	0x00	0x78
ENREGISTREMENT : ACTIVE	0x23	0x01	0x00	0x79
RETOUR RAPIDE VIDEO	0x25	0x00	0x00	0x7e
AVANCE RAPIDE VIDEO	0x25	0x01	0x00	0x7f
AUGMENTER VOL. VIDEO	0x26	0x00	0x00	0x7d
DIMINUER VOL. VIDEO	0x26	0x01	0x00	0x7c
STOCKAGE : INCORPORE	0x28	0x00	0x00	0x73
STOCKAGE : CARTE SD	0x28	0x01	0x00	0x72
STOCKAGE : CLÉ USB	0x28	0x02	0x00	0x71
FORMAT : INCORPORE	0x29	0x00	0x00	0x72
FORMAT : CARTE SD	0x29	0x01	0x00	0x73
FORMAT : CLÉ USB	0x29	0x02	0x00	0x70
RÉSOLUTION SORTIE : 1024 x 768	0x2F	0x01	0x00	0x75
RÉSOLUTION SORTIE : 1280 x 720	0x2F	0x02	0x00	0x76
RÉSOLUTION SORTIE : 1920 x 1080	0x2F	0x03	0x00	0x77
RÉSOLUTION SORTIE : 3840x2160@30	0x2F	0x08	0x00	0x7c
RÉSOLUTION SORTIE : 3840x2160@60	0x2F	0x99	0x00	0x7d
CONNEXION USB : CAMÉRA USB	0x30	0x00	0x00	0x6b
CONNEXION USB : STOCKAGE DE MASSE	0x30	0x01	0x00	0x6a
SAUVEGARDE VERS CARTE SD	0x31	0x00	0x00	0x6a
SAUVEGARDE VERS CLE USB	0x31	0x01	0x00	0x6b
ENREGISTREMENT PROFIL : PROFIL 1	0x32	0x00	0x00	0x69
ENREGISTREMENT PROFIL : PROFIL 2	0x32	0x01	0x00	0x68
ENREGISTREMENT PROFIL : PROFIL 3	0x32	0x02	0x00	0x6b
RAPPEL PROFIL : PROFIL 1	0x33	0x00	0x00	0x68
RAPPEL PROFIL : PROFIL 2	0x33	0x01	0x00	0x69
RAPPEL PROFIL : PROFIL 3	0x33	0x02	0x00	0x6a
DIAPORAMA : DESACTIVE	0x34	0x00	0x00	0x6f

Fonction	Donnée[0]	Donnée[1]	Donnée[2]	Somme de contrôle
DIAPORAMA : ACTIVE	0x34	0x01	0x00	0x6e
QUALITE CAPTURE : NORMALE	0x37	0x00	0x00	0x6c
QUALITE CAPTURE : HAUTE	0x37	0x01	0x00	0x6d
QUALITE CAPTURE : SUPERIEURE	0x37	0x02	0x00	0x6e
MISE AU POINT AUTOMATIQUE	0x40	0x00	0x00	0x1b
MENU	0x41	0x00	0x00	0x1a
FLECHE - BAS	0x42	0x00	0x00	0x19
FLECHE - HAUT	0x42	0x01	0x00	0x18
FLECHE - GAUCHE	0x42	0x02	0x00	0x1b
FLECHE - DROITE	0x42	0x03	0x00	0x1a
ENTREE	0x43	0x00	0x00	0x18
GELER/ARRET	0x44	0x00	0x00	0x1f
RETABLIR PAR DÉFAUT	0x45	0x00	0x00	0x1e
ZOOM -	0x46	0x00	0x00	0x1d
ZOOM +	0x46	0x01	0x00	0x1c
REINIT. ZOOM	0x47	0x00	0x00	0x1c
PROCHE	0x48	0x00	0x00	0x13
ELOIGNE	0x48	0x01	0x00	0x12
LAMPE ETEINTE	0x49	0x00	0x00	0x12
LAMPE ALLUMEE	0x49	0x01	0x00	0x13
AUGMENTER SATURATION	0x4B	0x00	0x00	0x10
DIMINUER SATURATION	0x4B	0x01	0x00	0x11
VALEUR DE SATURATION	0x4B	0x02	Valeur[1 ~ 255]	*1
SOURDINE ARRET	0x4C	0x00	0x00	0x17
SOURDINE MARCHE	0x4C	0x01	0x00	0x16

Tableau des instructions de requête RS-232

Format d'envoi : 0x52 + 0x0A + 0x01 + Donnée[0] + 0x53 + Somme de contrôle

Format de réception : 0x53 + 0x0C + 0x01+ ReDonnée 0x52 + ReSomme de contrôle*1

*1 : ReSomme de contrôle = 0x0C xor 0x01 xor ReDonnée[0] xor 0x52

*2 : Données reçues statut alimentation = 0x51 + 0xFF + 0x01 + 0x0A + 0x51 + 0xA5

Fonction	Donnée[0]	Somme de contrôle	ReDonnée [0]
Valeur de rouge	0x02	0x5a	Valeur[0 ~ 255]
Valeur de bleu	0x03	0x5B	Valeur[0 ~ 255]
Statut alimentation	0x04	0x5C	ETEINT [*2]
			1 : ALLUME
Statut de la lampe	0x05	0x5D	0 : ETEINTE 1: ALLUMEE
Statut afficheur	0x06	0x5E	0 : Mode caméra
			1 : Mode lecture
			2 : PC-1 transfert
Statut gelé	0x08	0x50	0 : ETEINT 1: ACTIVE
Valeur luminosité	0x0A	0x52	Valeur[1 ~ 64]
Valeur contraste	0x0B	0x53	Valeur[1 ~ 32]
Valeur de saturation	0x0D	0x55	Valeur[1 ~ 32]

Menu OSD

Le menu OSD se compose de 3 onglets: **IMAGE**, **REGLAGES** et **SYSTEME**.

IMAGE	Luminosité
PARAMETRES	Contraste
SYSTÈME	Saturation
	Mode de prévisualisation
	Effets
	Miroir
	Configuration Exposition
	Exposition manuelle
	Réglage des W.B.
	WB Bleu manuelle
	WB Rouge manuelle
	Focus

IMAGE

IMAGE	Résolution de capture
PARAMETRES	Qualité de capture
SYSTÈME	Type de capture
	Intervalle de capture
	Rangement
	Formater
	USB à PC
	Volume MIC
	Chronomètre
	Intervalle de temps

REGLAGES

IMAGE	La langue
PARAMETRES	Affichage de sortie
SYSTÈME	Sauvegarde
	Enregistrer les paramètres
	Rappel des réglages
	Papillotement
	Information
	Défaut

SYSTEME

Navigation dans le menu et les sous-menus

1. Appuyez sur la touche **MENU** de la télécommande ou du panneau de commandes.
2. Appuyez sur ►, ◀, ▲ et ▼ pour choisir une sélection dans la liste du menu.
3. Appuyez sur ⏪ pour faire une sélection.
4. Utilisez ▲ et ▼ pour régler un paramètre ou pour faire une sélection.
5. Appuyez sur ⏪ pour accéder au sous-menu.

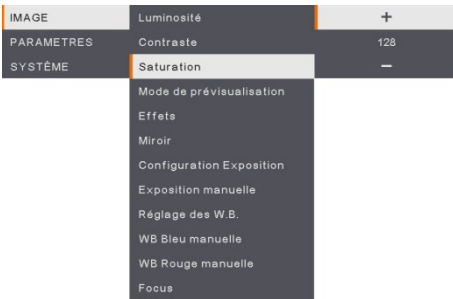
Image

Écran de menu			Fonction
IMAGE	Luminosité	+	Luminosité
PARAMETRES	Contraste	125	Réglez la luminosité manuellement de 0 à 255.
SYSTÈME	Saturation	-	
	Mode de prévisualisation		
	Effets		
	Miroir		
	Configuration Exposition		
	Exposition manuelle		
	Réglage des W.B.		
	WB Bleu manuelle		
	WB Rouge manuelle		
	Focus		

IMAGE	Luminosité	+	Contraste
PARAMETRES	Contraste	128	Réglez le contraste manuellement de 0 à 255, selon que l'environnement est lumineux ou sombre.
SYSTÈME	Saturation	-	
	Mode de prévisualisation		
	Effets		
	Miroir		
	Configuration Exposition		
	Exposition manuelle		
	Réglage des W.B.		
	WB Bleu manuelle		
	WB Rouge manuelle		
	Focus		

Écran de menu

Fonction



Saturation

Réglez la saturation manuellement de 0 à 255.



Mode de prévisualisation

Sélectionnez parmi les divers paramétrages d'affichage des images.

Normal - réglez le gradient de l'image.

Motion (vidéo) – augmentez le nombre d'images/seconde.

Haute Qualité - haute résolution avec la meilleure qualité.

Microscope - réglage automatique du zoom optique pour l'utilisation avec un microscope.

Macro – réglage pour des objets proches de la caméra.

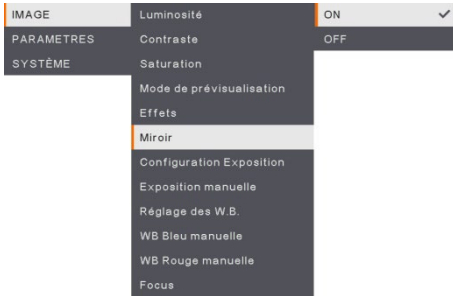
Infini – réglage pour des objets éloignés.



Effets

Conversion de l'image : positive (couleurs normales), monochrome (noir et blanc) ou négative.

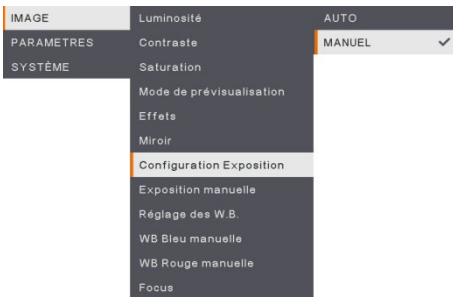
Écran de menu



Fonction

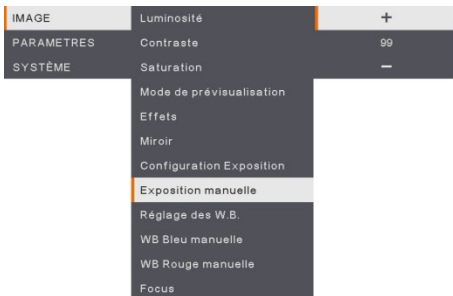
Miroir

Sélectionner pour inverser l'image à gauche ou à droite.



Réglage de l'exposition

Sélectionnez AUTO pour régler automatiquement la balance des blancs et le paramètre d'exposition et corriger la couleur et la compensation d'exposition. Sélectionnez MANUAL pour activer les paramètres avancés pour l'exposition manuelle et balance des blancs.



Exposition manuelle

MANUEL - réglez manuellement l'exposition. L'exposition peut être réglée entre 0 et 99.

Écran de menu

Fonction

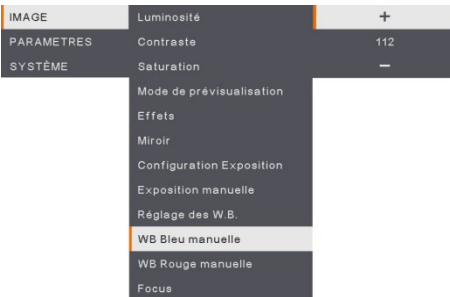


Réglage de la balance des blancs

Sélectionnez le réglage de la balance des blancs pour différentes conditions d'éclairage ou différentes températures de couleur.

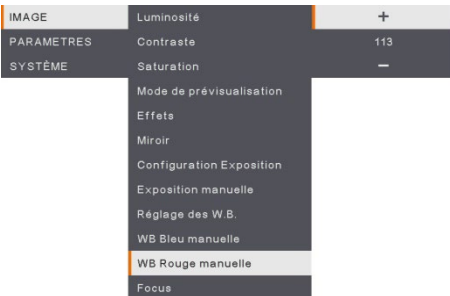
AUTO - réglage automatique de la balance des blancs.

MANUEL - réglez manuellement le niveau de couleur. Sélectionnez Manuel pour activer la configuration avancée de la balance des blancs.



Balance des blancs Bleu

Réglez manuellement le niveau de bleu. Le niveau de couleur peut être ajusté jusqu'à 255.



Balance des blancs Rouge

Réglez manuellement le niveau de rouge. Le niveau de couleur peut être ajusté jusqu'à 255.

Écran de menu

Fonction

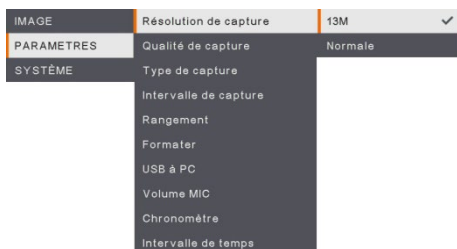
IMAGE	Luminosité	+
PARAMETRES	Contraste	101
SYSTÈME	Saturation	-
	Mode de prévisualisation	
	Effets	
	Miroir	
	Configuration Exposition	
	Exposition manuelle	
	Réglage des W.B.	
	WB Bleu manuelle	
	WB Rouge manuelle	
	Focus	

Mise au point

Réglage manuel de la mise au point.

Réglage

Écran de menu	Fonction
---------------	----------



Résolution de la capture

Sélectionnez la taille de la capture. Pour la valeur **13M**, la taille de résolution de la capture est 4208 X 3120.

Sélectionnez **Normal**, la taille de la capture est basée sur les paramètres de résolution.



Qualité de la capture

Sélectionnez le paramètre de compression de capture.

Sélectionnez **Supérieur** pour obtenir la meilleure compression de capture.



Type de capture

Sélectionnez la taille de la capture.

Simple - capture d'une seule image.

Continu - capture d'images successives.

Appuyez sur une touche quelconque pour interrompre la capture en continu.

Sélectionnez **Continu** pour activer le réglage **Capture d'intervalle**.



Capture d'intervalle

Définir l'intervalle de temps pour la capture continue. La durée peut être réglée jusqu'à 600 secondes (10 min).

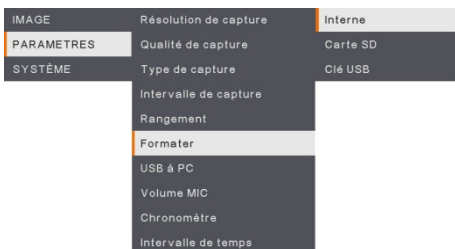
Écran de menu

Fonction



Stockage

Changez le lieu de stockage. Les enregistrements audio et vidéo ne peuvent être enregistrés que dans une mémoire intégrée, une carte de mémoire SD ou une clé USB.



Format

Formatez pour effacer toutes les données de la mémoire sélectionnée.

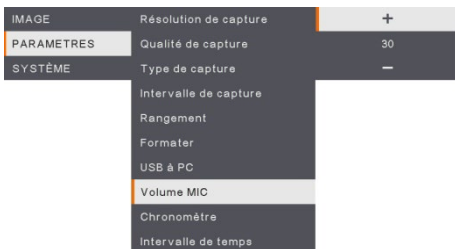


USB à PC

Sélectionner le statut de l'AverVision M90UHD lorsqu'il est connecté à l'ordinateur via un câble USB.

Caméra - peut être utilisée comme une webcam d'ordinateur ou, avec notre logiciel joint, pour l'enregistrement vidéo ou la capture d'images fixes.

Storage - transférez les photos capturées et les vidéos de la mémoire au disque dur de l'ordinateur.



Volume du micro

Réglez le volume d'entrée lors d'enregistrement de l'entrée audio USB.

Écran de menu

Fonction



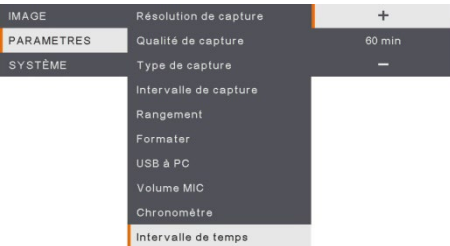
Démarrage de la minuterie

Démarrez la minuterie. La minuterie amorce un comptage automatique, une fois que le décompte atteint zéro, et afficher le temps écoulé.



Pause/Arrêt de la minuterie

Appuyez sur le bouton Menu pendant le compte à rebours pour mettre celui-ci en pause ou à l'arrêt.



Intervalle de minuterie

Réglez la durée de la minuterie jusqu'à 2 heures.

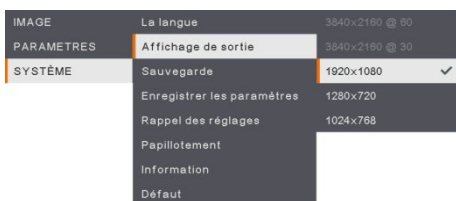
Système

Écran de menu	Fonction
---------------	----------



Langue

Changez et sélectionnez une autre langue. M90UHD prend en charge jusqu'à 12 langues.



Affichage de sortie

Paramétrer la résolution pour l'affichage de l'image sur l'écran. La résolution du périphérique de sortie est détectée automatiquement et configurée à la résolution la plus élevée.



Sauvegarde

Copiez l'image de la mémoire interne à la carte SD ou au flash drive USB.



Sauvegarde des réglages

Sauvegardez les réglages actuels (brillance, contraste, saturation, mode de prévisualisation, etc.) sous le n° de profil □ sélectionné.

Écran de menu

Fonction



Rétablir les réglages

Restaurer les réglages du n° de profil sélectionné.



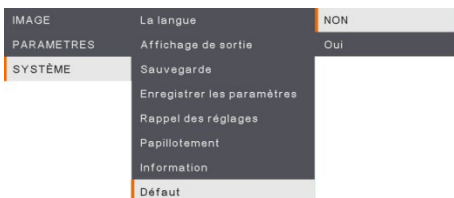
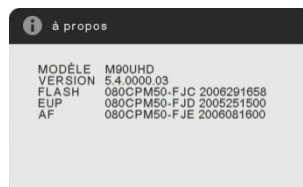
Papillotement

Sélectionnez 50 Hz ou 60 Hz. Certains écrans ne peuvent pas prendre en charge des fréquences d'actualisation élevées. L'image clignotera quelques instants lorsque vous changerez la fréquence d'actualisation du signal de sortie.



Informations

Affichage des informations produit.



Défaut

Restaurer tous les paramètres à leurs valeurs d'usine. Toutes les sauvegardes existantes seront supprimées.

Lecture

Vous pouvez utiliser la fonction de lecture pour configurer les images ou vidéos enregistrées.

Écran de menu		Fonction
	Diaporama Démarrer ou arrêter le diaporama.	
	Intervalle Régler l'intervalle avant l'affichage de la photo ou vidéo suivante.	
	Stockage Choisissez les images ou les vidéos du stockage, y compris de la mémoire intégrée intégré, la carte SD ou la clé USB.	
	Effacer tout Sélectionnez cette option pour effacer toutes les images ou vidéos enregistrées.	

Transférez des images / vidéos capturées sur un ordinateur.

Cela vous permet de transférer l'image capturée depuis la mémoire intégrée, du lecteur SD ou USB vers un ordinateur.

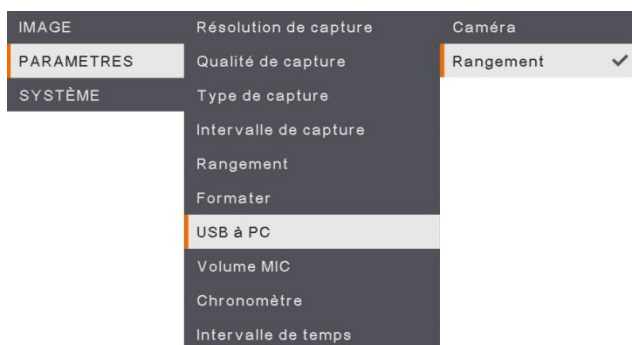
Deux manières d'enregistrer des images / vidéos :

- a. Mémoire intégrée + carte SD
- b. Mémoire intégrée + clé USB



Les instructions ci-dessous **DOIVENT** être lues et suivies **AVANT** de brancher le câble USB.

1. Il FAUT définir USB sur PC comme STORAGE avant de connecter le câble USB.



2. Connectez le câble USB lorsque «**Mass Storage**» apparaît à l'angle inférieur droit de l'écran de présentation.
3. Lors de la connexion du câble USB, le système détectera automatiquement le nouveau disque amovible. Vous pouvez désormais transférer les images ou vidéos capturées de la **mémoire intégrée de l'UM90UHD, de la carte SD ou du lecteur USB** vers le disque dur de l'ordinateur.

Caractéristiques techniques

Image

Capteur	1/3.06" CMOS
Nombre de pixels	13 Méga
Cadence d'images	60 images par seconde (max.)
Balance des blancs	Auto/manuelle
Exposition	Auto/manuelle
Mode image	Normal, Vidéo, Haute qualité, Microscope, Macro, Infini
Effet	Couleur/N/B/Négatif
Sortie RVB	1280x720, 1024x768, 1080P
Sortie HDMI	4K, 1080p, 720p
Capture d'image	200 images

Optique

Mise au point	Auto / manuelle
Zone de prise de vue	420 x 315mm
Zoom	Total zoom 322x (zoom optique 14x + zoom numérique 23x)

Alimentation

Source d'alimentation	CC 5V/3A, CA 100-240V, 50-60Hz
Consommation électrique	10 W (lampe allumée); 9 W (lampe éteinte)

Éclairage

Type de lampe	LED
---------------	-----

Entrée/Sortie

Entrée HDMI	OUI (HDMI, transfert)
Sortie HDMI	OUI (HDMI, transfert)
Entrée VGA	OUI (15 broches D-sub, transfert)
Sortie VGA	OUI (15 broches D-sub, transfert)
Port USB-A	1 (Type A pour clé USB)
Port USB-B	1 port Mini-B
MIC	Intégré
Emplacement de la carte SD	1 (carte Micro SD, 32 Go)
Ligne out	Prise pour écouteurs
Microphone	Entrée MIC
Entrée 5 VCC	Jack alimentation
Sécurité Kensington	OUI
*RS-232 (en option)	Prise mini-DIN (utilisez un câble adaptateur RS 232 en option)

Dimensions

En service	481,3mm (L) x 159mm (l) x 469,9mm (H)
Plié	319,0mm (L) x 176mm (l) x 112mm (H)
Poids	2.2 +/- 0,5 Kg (environ 5.732 lbs)

Stockage externe

Carte micro SD	Max 32 Go (FAT32)
Clé USB	Max 32 Go (FAT32)

*Notez que cette caractéristique est fonction de la commande.

Guide de dépannage

Cette section contient des informations importantes qui peuvent vous aider à résoudre les problèmes les plus fréquents avec l'AVerVision M90UHD.

Il n'y a aucune image sur l'écran de présentation.

1. Vérifiez toutes les connexions en suivant les instructions de ce manuel.
2. Vérifiez les réglages de l'appareil d'affichage de sortie
3. Si vous faites une présentation depuis un ordinateur portable ou PC au moyen d'un appareil d'affichage en sortie, vérifiez le branchement du câble depuis la sortie RGB (VGA) de l'ordinateur vers l'entrée RGB de l'AVerVision M90UHD et assurez-vous que l'AVerVision M90UHD soit en mode PC.
4. Pour la sortie d'affichage HDMI, un délai survient en attendant que le périphérique d'affichage et le M90UHD se synchronisent. Patientez environ 4 à 7 secondes jusqu'à ce que vous voyiez l'image de la caméra sur l'écran.

L'image sur l'écran de présentation est déformée ou est floue.

1. Remettez aux valeurs d'usine tous les paramètres qui auraient pu être modifiés. Appuyez sur **DEFAULT** de la télécommande ou sélectionnez Default à l'onglet Basic du menu OSD.
2. Utilisez les fonctions de menu Luminosité et Contraste pour réduire la déformation si possible.
3. Si l'image est floue ou n'est pas au point, appuyez sur le bouton Mise au point automatique du panneau de commande ou de la télécommande.

Il n'y a aucun signal d'ordinateur sur l'écran de présentation.

1. Vérifiez toutes les connexions de câble entre l'appareil d'affichage, l'AVerVision M90UHD et votre PC.
2. Connectez d'abord votre PC à l'AVerVision M90UHD avant d'allumer votre PC.
3. Pour un ordinateur portable, appuyez plusieurs fois de suite sur FN+F5 pour naviguer parmi les modes d'affichage et afficher l'image de l'ordinateur sur l'écran de présentation. Pour toute commande différente, veuillez vous référer au manuel de votre ordinateur portable.

L'écran de présentation ne montre pas exactement l'image du bureau de mon PC ou de mon portable après que je change du mode Caméra au mode PC.

1. Retournez sur votre PC ou portable, mettez la souris sur le bureau et cliquez sur le bouton droit, puis choisissez « Propriétés » ; choisissez l'onglet « Réglages », cliquez sur « 2 » moniteurs et cochez la case « Agrandir mon bureau de Windows sur ce moniteur ».
2. Puis retournez sur votre PC ou portable, remettez la souris sur le bureau et cliquez de nouveau sur le bouton droit.
3. Cette fois, choisissez « Options graphiques » puis « Envoyer vers », puis « Intel® double affichage cloné » puis choisissez « Moniteur + portable ».
4. Lorsque vous suivez ces étapes, vous devriez voir la même image du bureau sur votre PC ou votre portable et sur votre écran de présentation.

L'AVerVision M90UHD ne détecte pas la clé USB insérée.

Assurez-vous que la clé USB est correctement insérée et au format correct. Seul FAT32 est pris en charge.

Garantie limitée

AVer Information Inc. (« AVer ») garantit et ce pour la période suivant la date de l'achat dudit produit et son éventuelle prolongation, telles que définies dans la section « Warranty Period of AVer Product Purchased (Période de garantie du produit AVer acheté) », que le produit en question (« Produit ») est conforme à la documentation d'AVer et que sa fabrication et ses composants ne présentent pas de défaut matériel ni de défaut de fabrication, sous réserve d'une utilisation normale. « Vous », dans le cadre de ce contrat, correspond à vous en tant qu'individu ou qu'entreprise responsable de l'installation et de l'utilisation du Produit. La présente garantie limitée s'applique uniquement à Vous, l'acheteur d'origine. Sauf pour ce qui suit, le Produit est fourni « TEL QUEL ». En aucun cas AVer ne garantie que vous serez capable d'utiliser le Produit sans problèmes ou interruptions, ou que le Produit conviendra à vos besoins. Votre seul recours et l'entière responsabilité de AVer dans ce paragraphe sera, selon AVer, la réparation ou le remplacement du Produit par un produit similaire ou équivalent. Cette garantie ne s'applique pas aux (a) Produits dont le numéro de série a été effacé, modifié ou enlevé et aux (b) cartons, boîtiers, piles, cabinets, cassettes et autres accessoires utilisés avec ce produit. Cette garantie ne s'applique pas aux Produits qui ont été endommagés, détériorés ou qui fonctionnent mal suite à (a) un accident, un abus, la négligence, le feu, l'eau, les éclairs ou tout autre acte naturel, une utilisation commerciale ou industrielle, une modification interdite ou le non-respect des instructions fournies avec ledit Produit, (b) un abus de service par une personne autre que les représentants du fabriquant, (c) des dommages pendant le transport (ces réclamations doivent être faites auprès de la compagnie de transport), ou (d) toute autre cause qui n'est pas causée par un défaut matériel. La Durée de la Garantie de tout produit réparé ou remplacé sera la durée la plus longue entre (a) la Durée de la Garantie d'origine et (b) trente (30) jours à partir de la date de réception du produit réparé ou de remplacement.

Limitation de la garantie

AVer ne donne aucune garantie à un tiers. Vous êtes responsable pour tous les dommages, demandes, accords, dépenses et coûts d'avocat associés à une plainte déposée contre Vous puisque vous êtes le seul responsable de votre utilisation, correcte ou non, de ce Produit. Cette garantie n'est valide que si ce Produit a été installé, opéré, utilisé et entretenu en accordance avec les instructions de AVer. En particulier, cette garantie ne couvre pas les dommages causés par (i) des accidents, des événements physiques, électriques ou électromagnétiques inhabituels, la négligence ou l'utilisation incorrecte, (ii) des fluctuations dans l'alimentation électrique hors du contrôle de AVer, (iii) l'utilisation du Produit avec des accessoires ou des attachements non recommandés par AVer ou ses agents agréés ou (iv) l'installation, la modification ou la réparation de ce Produit par n'importe qui autre que AVer ou l'un de ses agents agréés.

Décharge de responsabilité

SAUF DANS LES CAS EXPRESSÉMENT SPÉCIFIÉS DANS LA PRÉSENTE GARANTIE ET DANS LES LIMITES AUTORISÉES PAR LA LOI, AVER DÉCLINE TOUTE LES AUTRES RESPONSABILITÉS DE GARANTIE POUR CE PRODUIT, QU'ELLE SOIT EXPLICITE OU IMPLICITE, RÉGLEMENTAIRE OU AUTRE, INCLUANT SANS RESTRICTIONS LA SATISFACTION DE LA QUALITÉ, L'APTITUDE À L'UTILISATION, AU FONCTIONNEMENT AINSI QUE LES GARANTIES IMPLICITES D'APTITUDE À LA COMMERCIALISATION ET D'ADÉQUATION À UN USAGE PARTICULIER OU LE RESPECT DES DROITS DE TIERS.

Limitation de responsabilité

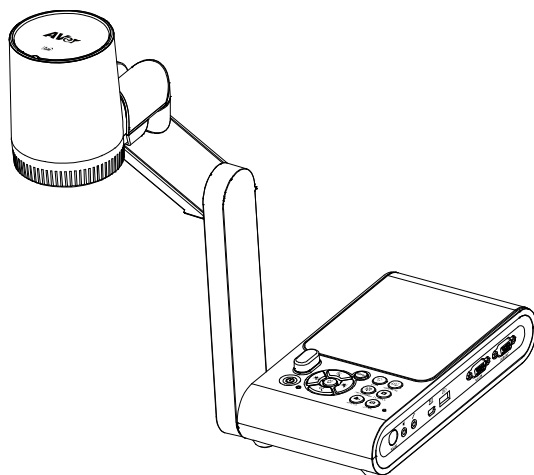
EN AUCUN CAS AVER NE POURRA ÊTRE TENU RESPONSABLE D'ÉVENTUELS DOMMAGES QUE CE SOIT, DIRECTS, INDIRECTS, ACCIDENTELS, SPÉCIAUX, EXEMPLAIRES, PUNITIFS OU CONSÉCUTIFS, INCLUANT SANS RESTRICTIONS, LA PERTE DE PROFITS, DE DONNÉES, DE PRODUCTION, DE L'USAGE, LES INTERRUPTIONS DE COMMERCE, L'OBTENTION DE BIENS OU DE SERVICES DE REMPLACEMENT DÉCOULANT DE OU ASSOCIÉ À CETTE GARANTIE LIMITÉE, OU DE L'UTILISATION OU DES PERFORMANCES DE N'IMPORTE QUEL PRODUIT MÊME SI LA POSSIBILITÉ DE TELS DOMMAGES EST STIPULÉE DANS LE CONTRAT OU LE DROIT, INCLUANT SANS RESTRICTIONS LA NÉGLIGENCE OU N'IMPORTE QUELLE AUTRE THÉORIE LÉGALE, MÊME SI AVER A ÉTÉ AVERTI DE LA POSSIBILITÉ DE TELS DOMMAGES. L'UNIQUE ET ENTIÈRE RESPONSABILITÉ DE AVER, DANS LE CAS D'UN DOMMAGE DE QUELQUE SORTE QUE CE SOIT ET CELA MALGRÉ LA FORME D'ACTION PRISE, NE DÉPASSERA JAMAIS LE MONTANT PAYÉ PAR VOUS VERS AVER POUR L'ACHAT DU PRODUIT EN QUESTION.

Lois en vigueur et vos droits

Cette garantie vous confère des droits réglementaires spécifiques auxquels pourront éventuellement s'ajouter d'autres droits en fonction des lois en vigueur. Ces droits varient d'une région à l'autre.



Pour la période de garantie, reportez-vous à la carte de garantie.



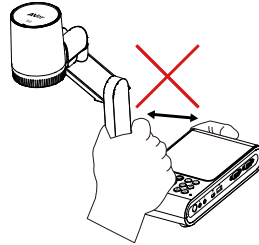
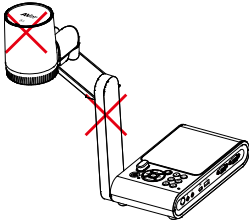
AVerVision M90UHD

Manual del usuario

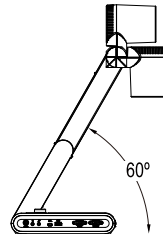
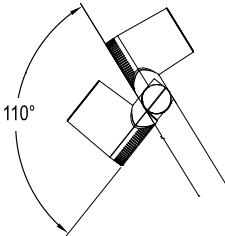


ADVERTENCIA

- Para reducir el riesgo de incendio o descarga eléctrica, no exponga el dispositivo a la lluvia o la humedad. En caso de realizarse modificaciones no autorizadas en el producto, se invalidará la garantía.
- No deje caer la cámara ni la someta a golpes.
- Utilice la tensión de alimentación adecuada para no dañar la cámara.
- No coloque la cámara en un sitio donde el cable pueda ser pisado; de lo contrario, el cable o el enchufe podrían deteriorarse o sufrir daños.
- Sostenga la parte inferior de la cámara con ambas manos para mover la cámara. No toque la lente ni el brazo flexible para mover la cámara.
- No tire del brazo mecánico y la cámara en sentido contrario.



- No mueva el cabezal de la cámara más de 110° para evitar el desgaste.
- No doble el brazo mecánico en un ángulo inferior a los 60° para evitar el desgaste de la cámara.



EL SÍMBOLO DE LA PAPELERA CON RUEDAS TACHADA INDICA QUE NO DEBE MEZCLAR ESTE PRODUCTO CON EL RESTO DE LA BASURA DOMÉSTICA PARA DESHACERSE DE ÉL. EN SU LUGAR, ES NECESARIO DESHACERSE DEL EQUIPO DEPOSITÁNDOLO EN UN PUNTO LIMPIO DESIGNADO DE RECICLAJE DE EQUIPOS ELÉCTRICOS Y ELECTRÓNICOS. PARA OBTENER MÁS INFORMACIÓN SOBRE LOS LUGARES EN LOS QUE PUEDE DEPOSITAR EL EQUIPO PARA RECICLARLO, PÓNGASE EN CONTACTO CON EL SERVICIO DE RECOGIDA DE BASURAS O CON LA TIENDA DONDE ADQUIRIÓ EL PRODUCTO.

Advertencia

Este dispositivo es un producto de Clase A. Este producto puede causar interferencias de radio en un entorno doméstico, en cuyo caso es posible que el usuario deba tomar las medidas pertinentes.

Información de seguridad de las baterías del control remoto

- Almacene las baterías en un lugar frío y seco.
- No deseche las baterías en la basura doméstica. Deseche las baterías en puntos de recolección especial o devuélvalas a las tiendas respectivas si aplica.
- Retire las baterías si no se utilizarán por un largo período de tiempo. El ácido derramado por una batería o la corrosión pueden dañar el control remoto, deseche las baterías con seguridad.
- No mezcle las baterías viejas con las nuevas.
- No mezcle ni use diferentes tipos de baterías: alcalinas, normales (carbón-zinc) o recargables (níquel-cadmio).
- No arroje las baterías al fuego.
- No trate de causar cortocircuito en los terminales de las baterías.

Exención de responsabilidad

No se asume responsabilidad alguna, ya sea expresa o implícita, sobre el contenido de este documento, su calidad, rendimiento, comerciabilidad o idoneidad para un fin particular. Se ha revisado la fiabilidad de la información contenida en este documento; no obstante, no se asume ninguna responsabilidad en caso de imprecisiones. La información contenida en este documento está sujeta a cambios sin previo aviso.

En ningún caso, AVer será responsable de daños directos, indirectos, especiales, fortuitos o consecuentes derivados del uso o la incapacidad de usar este producto o su documentación, aun cuando se haya advertido de la posibilidad de dichos daños.

Marcas comerciales

«AVer» es una marca comercial propiedad de AVer Information Inc. Otras marcas comerciales utilizadas en este documento con fines descriptivos pertenecen exclusivamente a sus empresas correspondientes.

COPYRIGHT

© 2023 AVer Information Inc. Todos los derechos reservados. | 9 de agosto de 2023

Todos los derechos de este objeto pertenecen a AVer Information Inc. Se prohíbe la reproducción o transmisión en cualquier forma o por cualquier medio sin la previa autorización por escrito de AVer Information Inc. AVer Information Inc. se reserva el derecho a modificar sus productos, incluso sus especificaciones, y cualquier otra información aquí expuesta sin previo aviso. Los impresos oficiales de cualquier información prevalecerán en caso de cualquier discrepancia entre la información aquí contenida y la información contenida en la hoja impresa.

"AVer" es una marca registrada propiedad de AVer Information Inc. Otras marcas registradas mencionadas aquí para propósito de descripción sólo pertenecen a cada una de sus empresas.

Ayuda Adicional

Para preguntas frecuentes, soporte técnico y descargas de software y manuales de instrucciones, visite:

Centro de descargas:

<https://www.avereurope.com/download-center>



Soporte técnico:

<https://www.avereurope.com/technical-support>



Información de contacto

AVer Information Europe B.V.

<https://www.avereurope.com>

Westblaak 134, 3012 KM, Rotterdam, The Netherlands

Tel: +31 (0) 10 7600 550

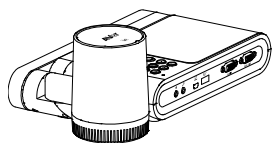
Soporte técnico: eu.rma@aver.com

Índice

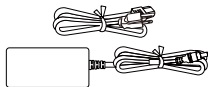
Contenido del paquete	1
Accesorios opcionales	1
Familiarizarse con la AVerVision M90UHD	1
Panel derecho.....	3
Panel izquierdo.....	3
Panel posterior.....	4
Panel de control.....	5
Mando a distancia.....	7
Realizar las conexiones	9
Conexión de la alimentación.....	9
Conexión de un ordenador mediante USB	10
Conexión de un monitor o proyector LCD/DLP con salida VGA/HDMI	11
Conexión de un ordenador con entrada VGA/HDMI	12
Conexión de un altavoz amplificado	14
Conexión de un micrófono.....	14
Conexión de un microscopio.....	15
Preparación de la AVerVision M90UHD	17
Almacenamiento de la cámara de documentos	17
Área de disparo	18
Luz superior	21
Sensor de infrarrojos.....	22
Montaje de la M90UHD en una superficie plana.....	22
Lámina antirreflectante	23
Almacenamiento en memoria externa	23
Inserción de una tarjeta SD	23
Inserción de una unidad flash USB.....	23
Diagrama de conexiones RS232	24
Tabla de comandos de envío de RS-232	25
Tabla de comandos de recepción de RS-232	29
MENÚ OSD	30
Desplazamiento por el menú y submenú.....	31
Imagen.....	31
Brillo.....	31
Contraste	31
Saturación.....	32
Modo de vista previa.....	32
Efecto	32
Espejo.....	33
Configuración de exposición.....	33

Exposición manual.....	33
Configuración del balance de blancos.....	34
Azul de balance de blancos manual.....	34
Rojo de balance de blancos manual.....	34
Enfocar.....	35
Configuración.....	36
Resolución de captura.....	36
Calidad de captura.....	36
Tipo de captura.....	36
Intervalo de captura.....	36
Almacenamiento.....	37
Formatear.....	37
USB a PC.....	37
Volumen de micrófono.....	37
Iniciar temporizador.....	38
Pausar/Detener temporizador.....	38
Intervalo de temporizador.....	38
Sistema.....	39
Idioma.....	39
Visualización de salida.....	39
Copia de seguridad.....	39
Guardar configuración.....	39
Recuperar configuración.....	40
Parpadeo.....	40
Información.....	40
Predeterminado.....	40
Reproducción.....	41
Presentación.....	41
Intervalo.....	41
Almacenamiento.....	41
Eliminar todo.....	41
Transferencia de imágenes/videos capturados a un ordenador.....	42
Especificaciones técnicas.....	43
Imagen.....	43
Óptica.....	43
Alimentación.....	43
Iluminación.....	43
Entrada/Salida.....	43
Dimensiones.....	44
Almacenamiento externo.....	44
Solución de problemas.....	45
Garantía limitada.....	46

Contenido del paquete



M90UHD



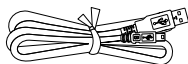
Adaptador de corriente y cable de alimentación*



Mando a distancia



Pilas AAA (x2)



Cable USB



Cable VGA



Tarjeta de garantía



Guía de Inicio Rápido

*El cable de alimentación variará en función de la toma de corriente estándar del país en el que se venda el producto.

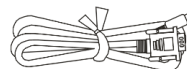
Accesorios opcionales



Bolsa de transporte



Lámina antirreflectante



Cable RS-232

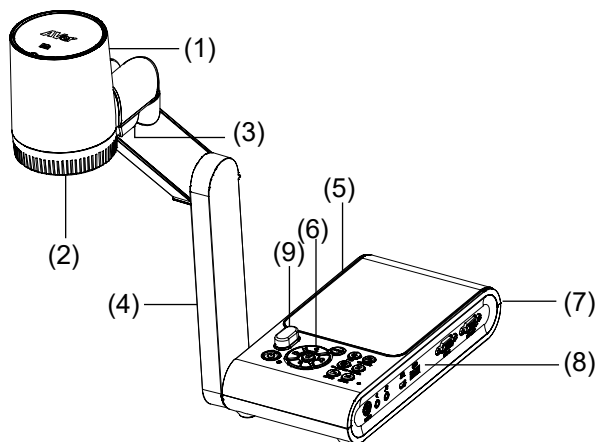


Placa de conexión



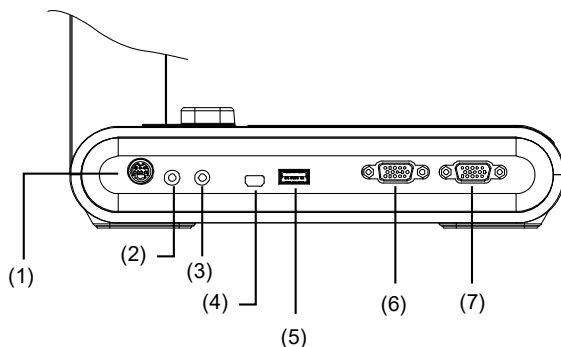
**Adaptador de microscopio
(acoplador de goma de 28 mm y 34 mm incluido)**

Familiarizarse con la AVerVision M90UHD



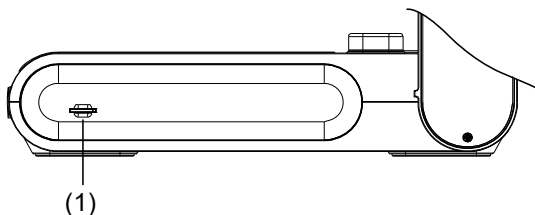
Nombre	Función
(1) Cabezal de la cámara	Contiene el sensor de la cámara.
(2) Lente de la cámara	Enfoca la imagen en la cámara.
(3) Luz LED	Proporciona luz para mejorar las condiciones de iluminación.
(4) Brazo mecánico	Proporciona una cobertura visual ajustable.
(5) Panel izquierdo	Ranura de tarjeta micro-SD.
(6) Panel de control	Proporciona fácil acceso a varias funciones.
(7) Panel posterior	Conexiones para alimentación, dispositivo de visualización externo con entrada/salida HDMI y ranura compatible con conector de seguridad Kensington.
(8) Panel derecho	Conexiones para ordenador, dispositivos de visualización externos con entrada/salida VGA, y puerto USB, mini-USB, entrada de micrófono, salida de línea y RS232 (opcional)
(9) Sensor de infrarrojos	Recibe los comandos del mando a distancia.

Panel derecho



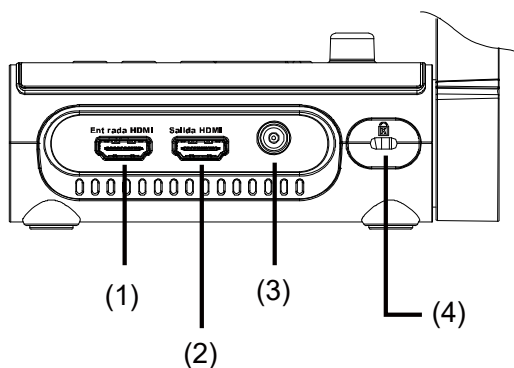
Nombre	Función
(1) Puerto RS232	Conecte este puerto a un ordenador con el cable RS232. Para más información, consulte Diagrama de conexiones RS232 . (Opcional)
(2) Puerto de salida de línea	Conecte este puerto a un altavoz amplificado para reproducir los clips de vídeo y audio grabados.
(3) Puerto de entrada MIC	Conecte este puerto a un micrófono externo.
(4) Puerto mini USB	Conecte este puerto a un puerto USB de un ordenador mediante un cable USB y utilice la AVerVision M90UHD como una cámara USB o transfiera las imágenes/vídeos capturados de la fuente de memoria al ordenador.
(5) Puerto USB	Inserte una unidad flash USB para guardar las imágenes y vídeos directamente desde la unidad flash USB.
(6) Puerto de entrada VGA	Recibe la señal de un ordenador u otras fuentes y solo la transfiere a través del puerto de salida VGA. Conecte este puerto al puerto de salida VGA de un ordenador.
(7) Puerto de salida VGA	Conecte la AVerVision M90UHD a cualquier dispositivo de visualización con un cable VGA.

Panel izquierdo



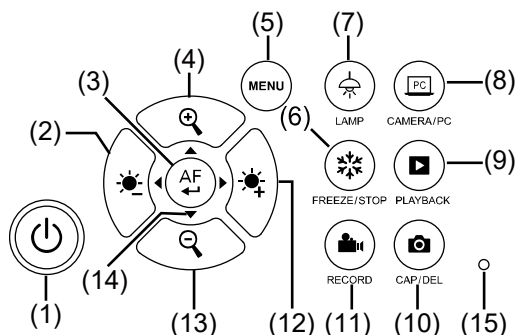
Nombre	Función
(1) Ranura de tarjeta micro-SD	Inserte la tarjeta micro-SD con la etiqueta hacia arriba. La tarjeta micro-SD permite guardar las capturas de imagen y las grabaciones de vídeo.

Panel posterior





Nombre	Función
(1) Puerto de entrada HDMI	Conecte una fuente HDMI externa como una entrada a través de este puerto. Conecte este puerto al puerto de salida HDMI de un ordenador.
(2) Puerto de salida HDMI	Emita la señal de vídeo del sistema principal en un panel plano interactivo, monitor LCD o proyector LCD/DLP con interfaz HDMI mediante un cable HDMI.
(3) 5 VCC	Conecte el adaptador de corriente a este puerto.
(4) Ranura antirrobo	Conecte un dispositivo antirrobo o un conector de seguridad compatible con Kensington.

Panel de control

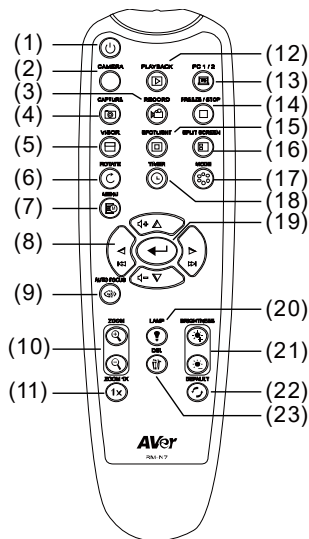


Nombre	Función
(1) ENCENDIDO/APAGADO	Enciende la unidad o la pone en modo de espera.
(2)	Disminuye el brillo.
(3)	<ul style="list-style-type: none"> - Realiza una selección en el modo de reproducción y el menú OSD. - Inicia/Pausa la reproducción de un vídeo. - Ajusta el enfoque automáticamente.
(4)	Acerca la imagen en los modos de cámara y reproducción de imágenes.
(5) MENU	Abre y cierra el menú y submenú OSD.
(6)	<ul style="list-style-type: none"> - Pausa o reanuda la visualización de imágenes en el modo de cámara. - Detiene la reproducción de audio y vídeo en el modo de reproducción.
(7)	Enciende/Apaga la luz superior.
(8)	Alterna la señal de vídeo entre la cámara y el ordenador del puerto de entrada VGA o HDMI.
(9)	Visualice y reproduzca las imágenes capturadas y los archivos de vídeo.
(10)	<ul style="list-style-type: none"> - Captura una imagen en el modo de cámara. En el modo de captura continua, vuelva a pulsar el botón para detener la captura. - Elimina la imagen o vídeo seleccionados en el modo de reproducción.
(11)	Inicia/Detiene la grabación de audio/vídeo. La grabación de audio y vídeo solo puede guardarse en una tarjeta SD o unidad flash USB. Consulte Almacenamiento en memoria externa .

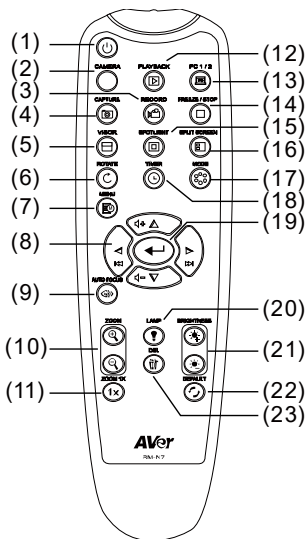
Nombre	Función
(12) 	Aumenta el brillo.
(13) 	Aleja la imagen en los modos de cámara y de reproducción de imágenes.
(14) ▲, ▼, ◀ y ▶	<ul style="list-style-type: none"> - Permiten realizar una panorámica / hacer zoom (mayor que el nivel de zoom digital) en el modo en vivo. - Seleccionan opciones en el menú OSD. - Utilice ▲y ▼ para subir y bajar el volumen de reproducción de los vídeos. - Utilice ◀y ▶ para reproducir los vídeos hacia delante y hacia atrás.
(15) Micrófono integrado	Grabe audio cuando grabe un clip de vídeo. El sonido grabado será monofónico.

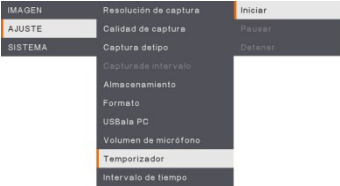
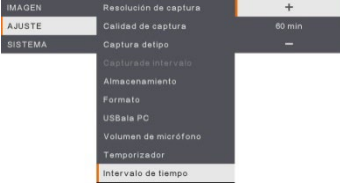

Mando a distancia

El mando a distancia requiere dos (2) pilas de tamaño «AAA» (incluidas). Asegúrese de que las pilas se hayan insertado correctamente antes de utilizar el producto. Puede acceder a todas las funciones de la AVerVision M90UHD con el mando.



Nombre	Función
(1) ENCENDIDO/APAGADO	Enciende/Apaga/Pone en modo de espera la unidad
(2) CÁMERA	El modo de cámara muestra la señal de vídeo de la cámara integrada.
(3) RECORD	Inicia/Detiene la grabación de audio/vídeo. La grabación de vídeo solo puede guardarse en una tarjeta de memoria SD o unidad flash USB.
(4) CAPTURE	Captura una imagen en el modo de cámara. En el modo de captura continua, vuelva a pulsar el botón para detener la captura.
(5) VISOR	No compatible
(6) ROTATE	Gira la imagen 0/180° en el modo de cámara.
(7) MENU	Abre y cierra el menú OSD.
(8) ▲, ▼, ◀ y ▶	<ul style="list-style-type: none"> - Permiten realizar una panorámica / hacer zoom (mayor que el nivel de zoom digital) en el modo en vivo. - Seleccionan opciones en el menú OSD. - Utilice ▲ y ▼ para subir y bajar el volumen de reproducción de los vídeos. - Utilice ◀ y ▶ para reproducir los vídeos hacia delante y hacia atrás.
(9) AUTO FOCUS	Ajusta el enfoque automáticamente.
(10) ZOOM +/-	Acerca/Aleja la imagen en los modos de cámara y de reproducción de imágenes.
(11) ZOOM 1X	Restablece el nivel de zoom en 100%.
(12) PLAYBACK	Muestra las imágenes/vídeos capturados en la memoria.
(13) PC 1/2	El modo de PC muestra la señal de vídeo del puerto de entrada VGA/HDMI de la M90UHD.
(14) FREEZE/STOP	<ul style="list-style-type: none"> - Congela las imágenes en vivo. - Detiene la reproducción de vídeo.
(15) SPOTLIGHT	No compatible
(16) SPLIT SCREEN	No compatible




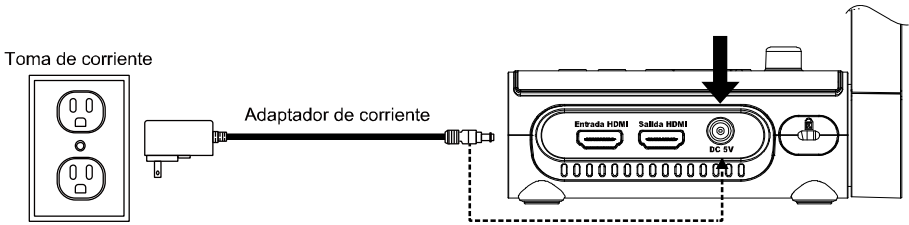
Nombre	Función
(17) MODE	Permite alternar entre los modos Normal / Alta velocidad / Alta calidad / Microscopio / Infinito / Marco
(18) TIMER	<p>Abre el submenú Temporizador. Seleccione para iniciar/pausar/detener la cuenta atrás.</p>  <p>Seleccione Intervalo de temporizador para establecer la duración del temporizador.</p> 
(19) 	<ul style="list-style-type: none"> - Realiza una selección en el modo de reproducción y el menú OSD. - Reinicia/Pausa la reproducción de un vídeo.
(20) LAMP	Enciende/Apaga la luz superior.
(21) BRIGHTNESS +/-	Ajusta el brillo.
(22) DEFAULT	Restablece los ajustes predeterminados de fábrica.
(23) DEL	Elimina la imagen o vídeo seleccionados en el modo de reproducción.

Realizar las conexiones

Antes de realizar las conexiones, asegúrese de que todos los dispositivos estén apagados. Si no está seguro de cómo realizar una conexión, simplemente siga las instrucciones de conexión ilustradas a continuación y consulte el manual del usuario del dispositivo al que va a conectar la AVerVision M90UHD.

Conexión de la alimentación

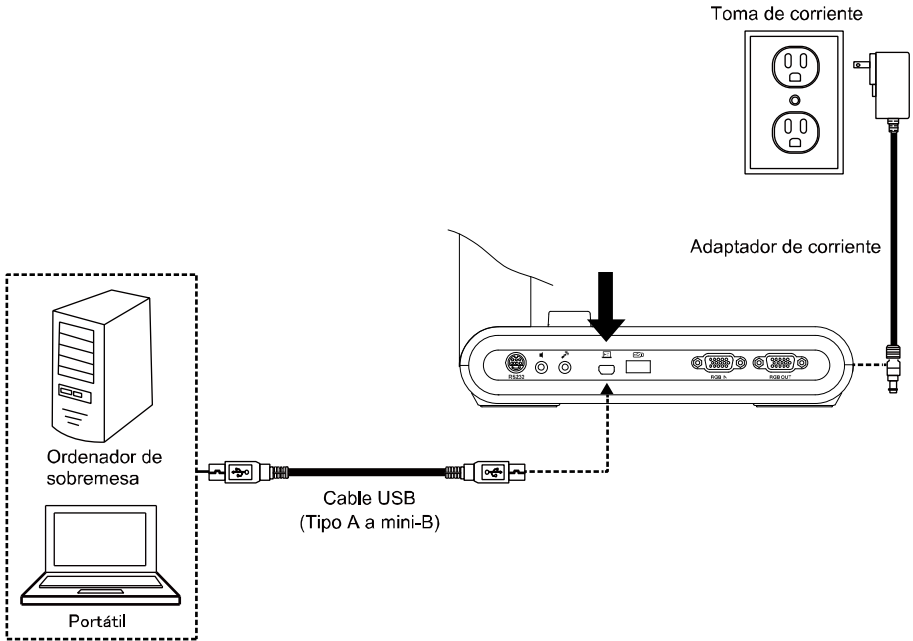
Conecte el adaptador de corriente a una toma de corriente 100V~240V CA estándar. La unidad se establecerá automáticamente en el modo de espera una vez conectada la alimentación. Pulse  para encenderla.



* La toma de corriente varía en función de cada región.

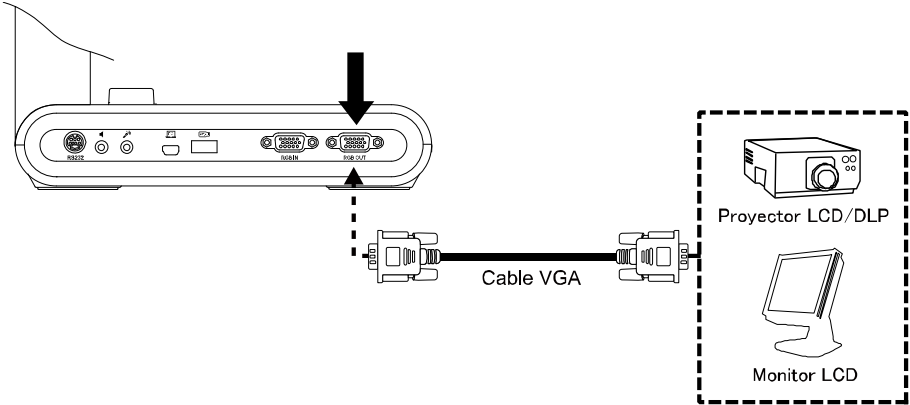
Conexión de un ordenador mediante USB

Localice el puerto USB del ordenador de sobremesa o portátil y conéctelo al puerto PC de la AVerVision M90UHD. A continuación, podrá usar su M90UHD como una cámara USB y seleccionarla como su cámara cuando utilice software como Skype, Teams, Zoom, etc.

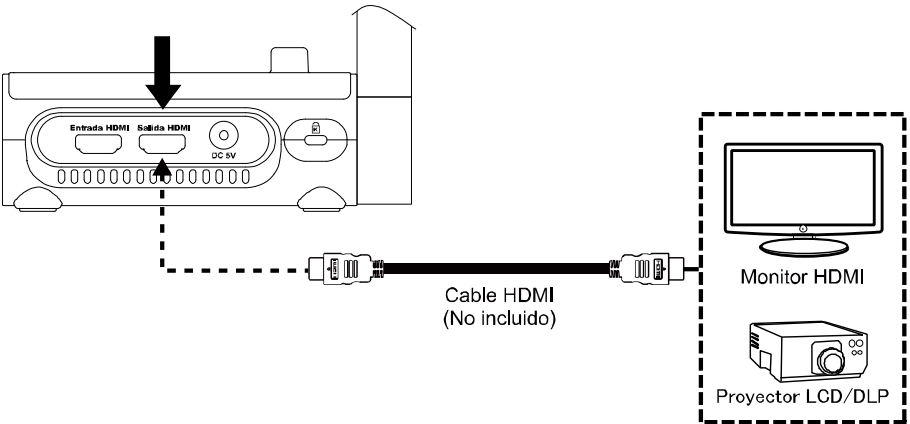


Conexión de un monitor o proyector LCD/DLP con salida VGA/HDMI

Localice el puerto de entrada VGA/HDMI del dispositivo de visualización y conéctelo al puerto de salida VGA/HDMI de la AVerVision M90UHD.



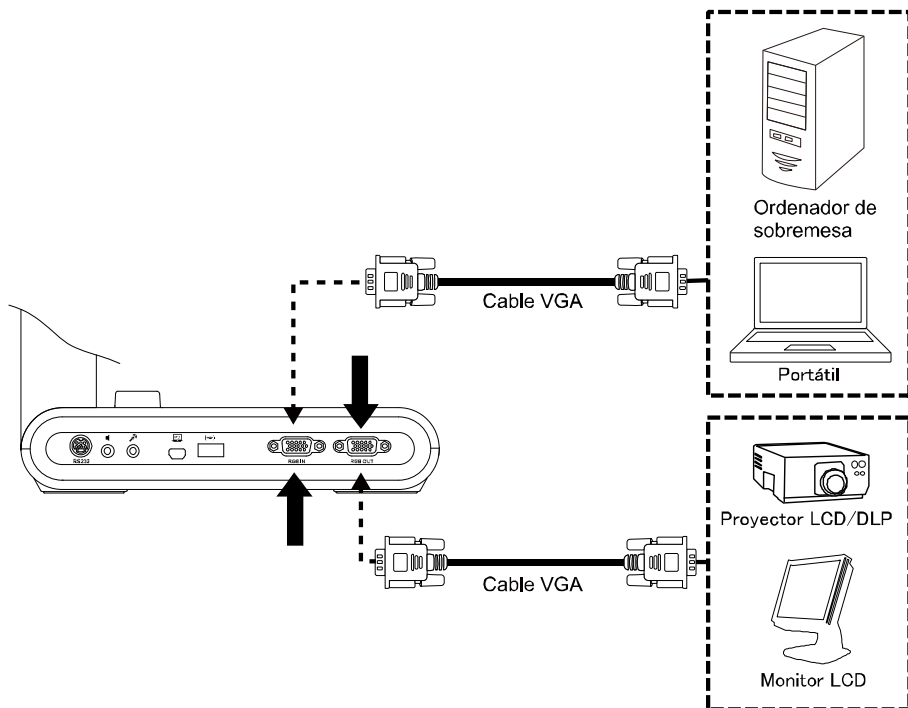
* Conexión de cable VGA



* Conexión de cable HDMI

Conexión de un ordenador con entrada VGA/HDMI

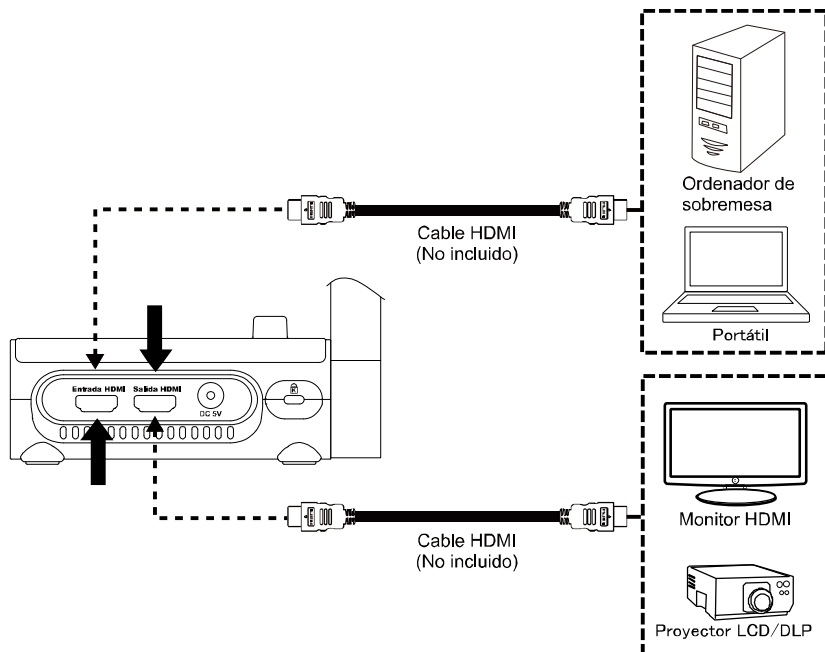
Localice el puerto de entrada VGA/HDMI del dispositivo de visualización y conéctelo al puerto de salida VGA/HDMI de la AVerVision M90UHD.



Localice el puerto de salida VGA/HDMI del ordenador de sobremesa o portátil y conéctelo al puerto de entrada VGA/HDMI de la AVerVision M90UHD. La señal de vídeo del puerto de entrada VGA/HDMI se transferirá al puerto de salida VGA/HDMI.

[Nota]

- Para visualizar la imagen del ordenador de sobremesa, pulse el botón **Camera/PC** (Cámara/PC) en el panel de control o mando a distancia para cambiar la AVerVision M90UHD al modo de ordenador.
- En un portátil, pulse el comando del teclado (FN+F5) para alternar entre los modos de visualización. Para otros comandos, consulte el manual de su portátil.

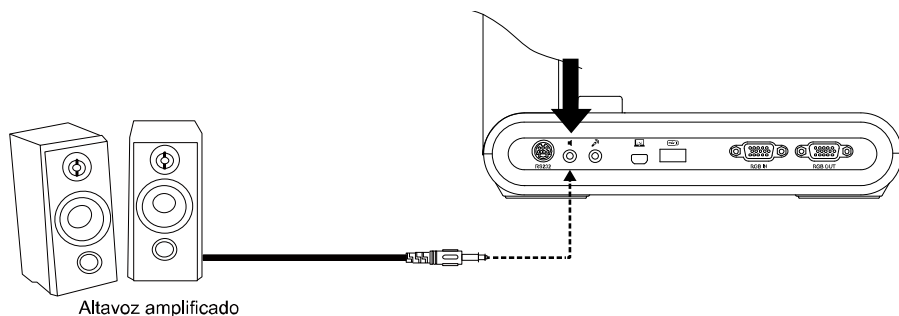


Conexión de un altavoz amplificado

Conecte un altavoz amplificado con conector de 3,5 mm al puerto de salida de línea (🔊). Solo se admite el audio del vídeo reproducido.

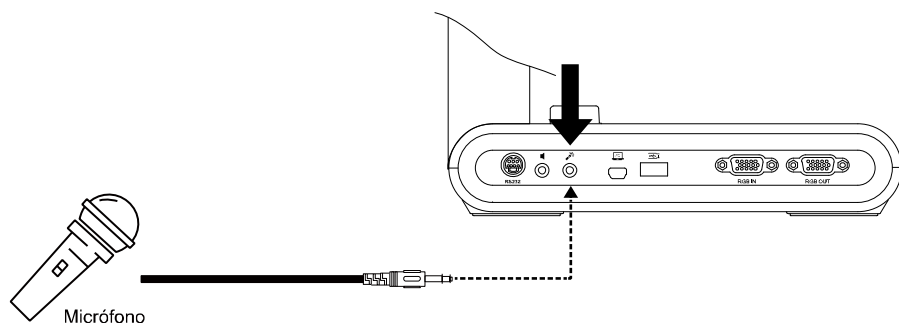
[Nota]

Recomendamos conectar un altavoz amplificado al puerto de salida de línea. Tenga cuidado si utiliza auriculares. Baje el volumen en el mando para evitar daños auditivos debido a un volumen elevado.




Conexión de un micrófono

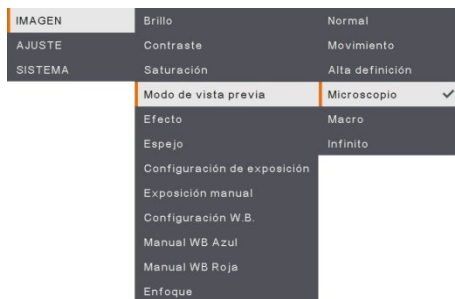
Conecte un micrófono de 3,5 mm al puerto de entrada MIC (🎤).



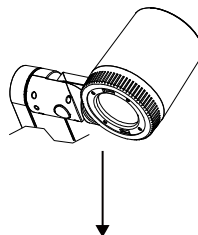
Conexión de un microscopio

Conecte la AVerVision M90UHD a un microscopio para examinar objetos microscópicos en una pantalla grande.

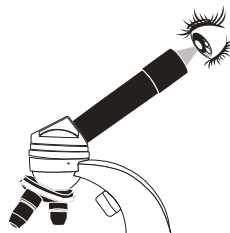
1. Cambie el modo de visualización de imagen a Microscopio. Seleccione la ficha **IMAGEN** > **Modo de vista previa** > **Microscopio** y pulse .



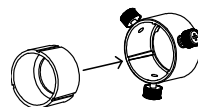
2. Apunte el cabezal de la cámara al punto más distante y pulse **AUTO FOCUS**.



3. Ajuste el enfoque del microscopio.



4. Seleccione el tamaño adecuado del acoplador de goma para el ocular del microscopio e insértelo en el adaptador de microscopio.



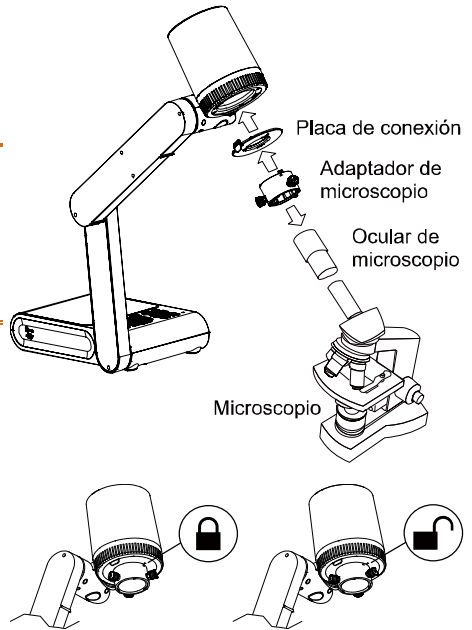
5. Retire el ocular del microscopio y conéctelo al adaptador de microscopio con el acoplador de goma insertado. Apriete los tres pernos hasta que el adaptador asegure el ocular.



- Para el ocular, recomendamos utilizar un relieve ocular de 33 mm o superior.
- Realice el ajuste manualmente para una óptima visualización de la imagen.

6. Conecte el adaptador de microscopio al cabezal de la cámara AVerVision mediante una placa de conexión. A continuación, conéctelo a la AVerVision y al microscopio.

Asegúrese de que las flechas en la cámara y el adaptador de microscopio estén alineadas. Gire hacia la izquierda para bloquear.

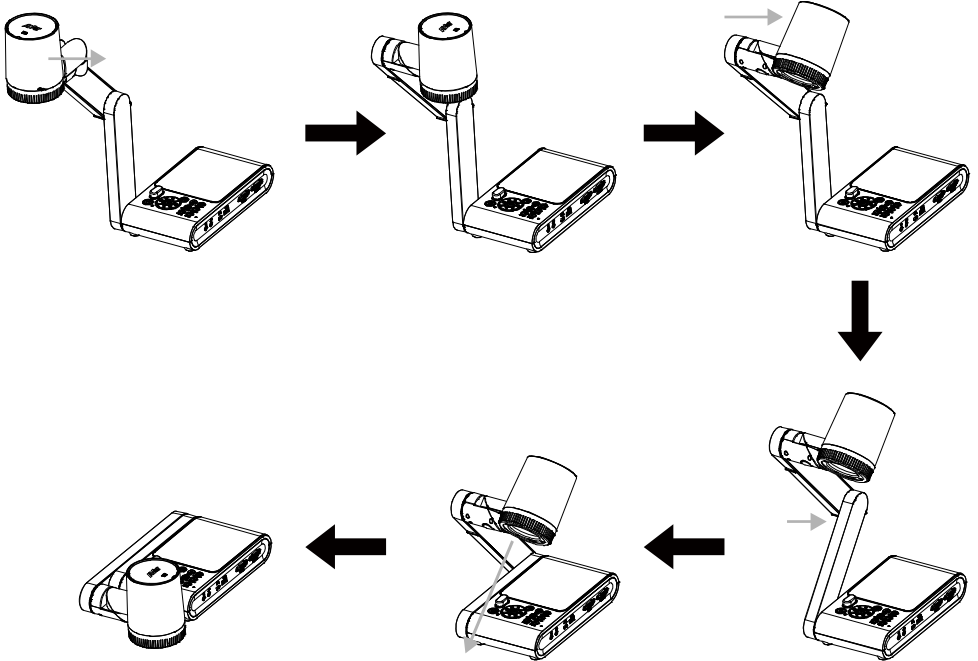


Preparación de la AVerVision M90UHD

En esta sección, se proporcionan consejos prácticos sobre cómo ajustar la AVerVision M90UHD para satisfacer sus necesidades.

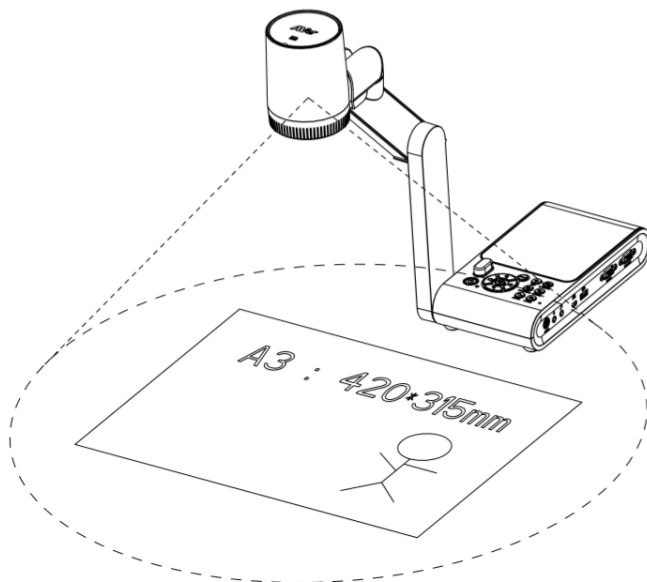
Almacenamiento de la cámara de documentos

Siga las indicaciones proporcionadas en la figura a continuación para guardar la cámara de documentos.

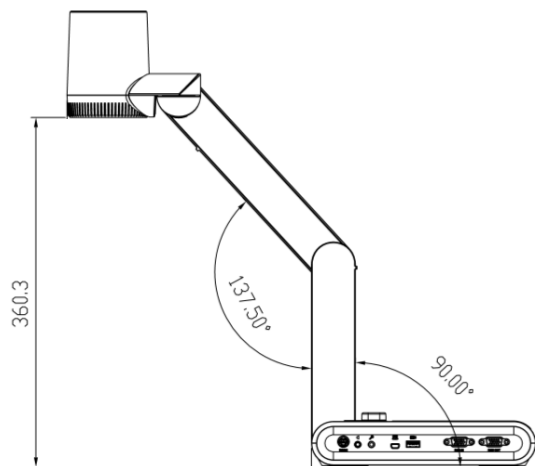


Área de disparo

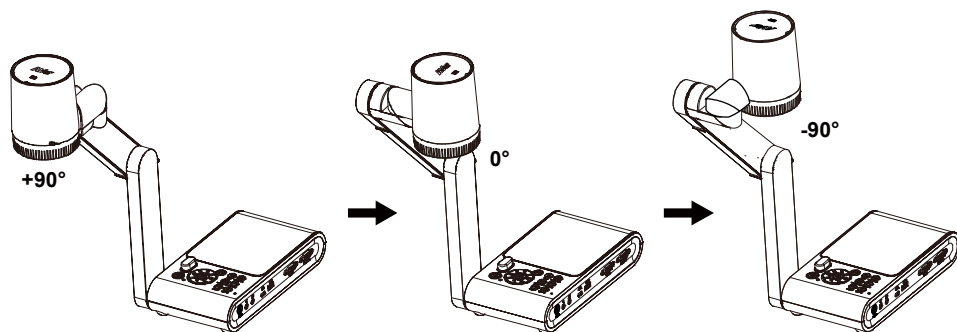
El área de disparo puede verse en un área de 420 x 315 mm en el modo de vista previa de alta definición.



Cuando la cámara se encuentra a una altura de 360,3 mm, el área de disparo se corresponde a un tamaño A3.



El cabezal de la cámara puede rotarse 90° tal y como se muestra en la imagen.

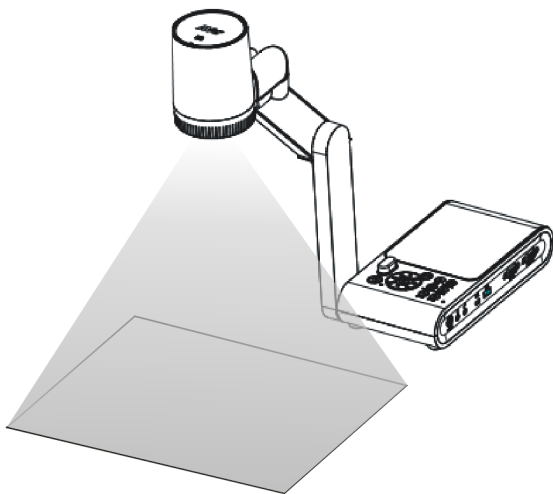
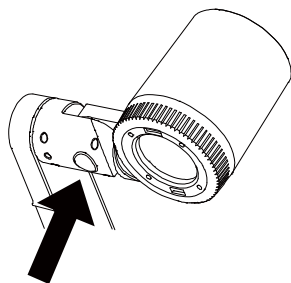


Para reflejar la imagen, pulse **MENU** > seleccione **Espejo**, pulse **←** y seleccione «On».



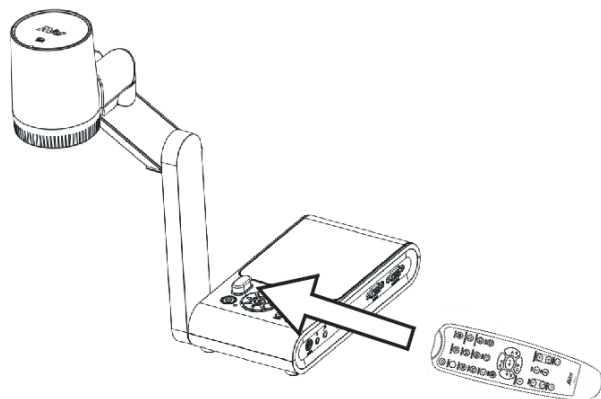
Luz superior

Pulse el botón LAMP en el panel de control o mando a distancia para encender y apagar la luz.



Sensor de infrarrojos

Apunte con el mando a distancia al sensor de infrarrojos para utilizar la unidad.



Montaje de la M90UHD en una superficie plana

Mida y marque en una superficie plana la línea horizontal de 75 mm correspondiente a la distancia entre los dos orificios, tal como se muestra en la imagen. Utilice 2 o 4 tornillos M4.0 para orificios de 6 mm y fije la M90UHD a la superficie plana.

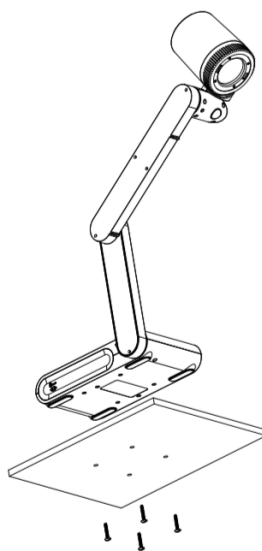
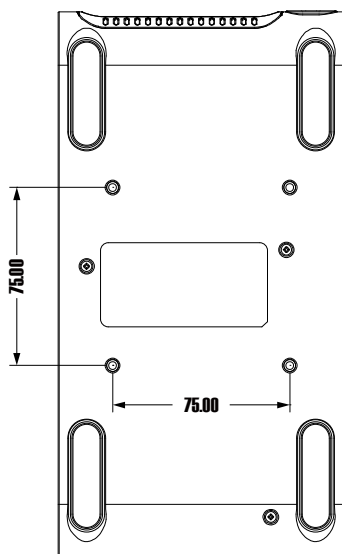
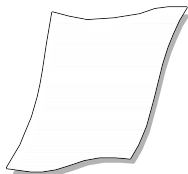


Lámina antirreflejante

La lámina antirreflejante es una película recubierta especial que permite eliminar los reflejos de objetos o superficies muy brillantes, como revistas y fotos. Para utilizarla, simplemente coloque la lámina antirreflejante encima del documento para reducir la luz reflejada.

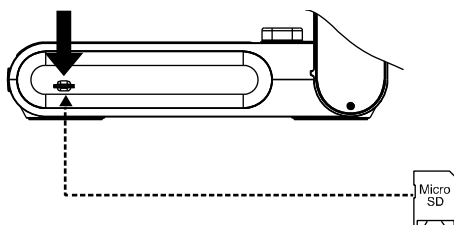


Almacenamiento en memoria externa

La AVerVision M90UHD admite tanto tarjetas de memoria micro-SD como unidades flash USB para aumentar la capacidad de captura de imágenes y grabaciones de audio y vídeo. La AVerVision M90UHD puede detectar cuando hay un medio de almacenamiento externo y cambiar automáticamente al último almacenamiento detectado. Si no se conecta ningún almacenamiento externo, todas las imágenes capturadas se guardarán en la memoria integrada.

Inserción de una tarjeta SD

Inserte la tarjeta con el contacto hacia abajo hasta que llegue al tope. Para quitar la tarjeta, presione para expulsarla y extráigala. Se admiten tarjetas micro-SD de 1 GB a 32 GB (FAT32) de capacidad.



Inserción de una unidad flash USB

Conecte la unidad flash USB en la ranura USB. La AVerVision M90UHD admite unidades flash USB de un máximo de 32 GB. **Se recomienda formatear la unidad flash USB con la AVerVision M90UHD para una óptima grabación de vídeo.**

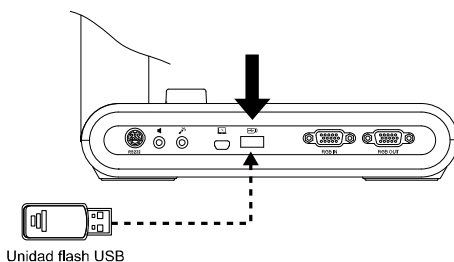


Diagrama de conexiones RS232

La AVerVision M90UHD se puede controlar con un ordenador o cualquier panel de control centralizado a través de una conexión RS232.

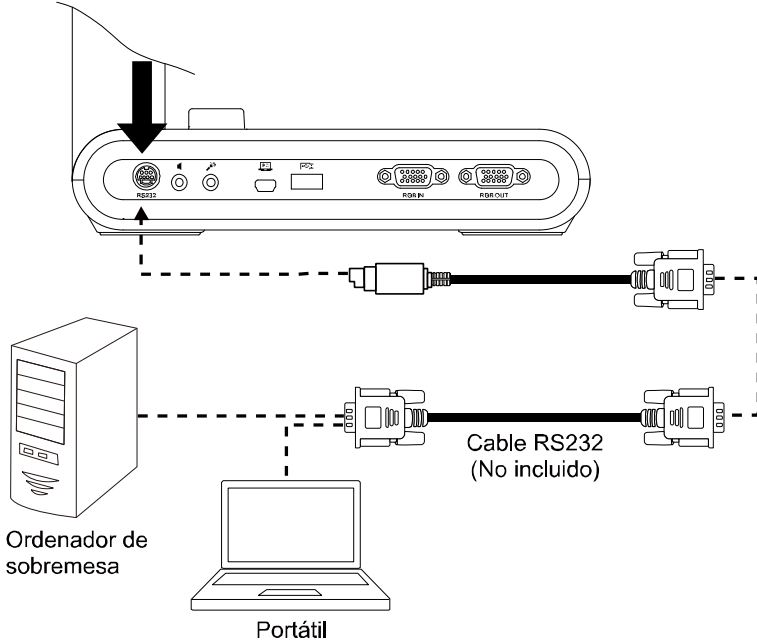


Tabla de comandos de envío de RS-232

Formato de envío : 0x52 + 0x0B + 0x03 + Data[0] + Data[1] + Data[2] + 0x53 + Checksum^{*1}

Formato de recepción correcta : 0x53 + 0x00 + 0x02+ *2 + 0x00 + 0x52 + Checksum^{*4}

Formato de recepción anómala : 0x53 + 0x00 + 0x01+ *3 + 0x52 + Checksum^{*5}

*1 : Checksum = 0x0B xor 0x03 xor Data[0] xor Data[1] xor Data[2] xor 0x53

*2 : Recepción de datos ok: 0x0B, Ningún comando: 0x03

*3 : Error de ID: 0x01, Error de checksum: 0x02, Fallo de función = 0x04

*4 : Checksum = 0x00 xor 0x02 xor *2 xor 0x00 xor 0x52

*5 : Checksum = 0x00 xor 0x01 xor *3 xor 0x52

*6 : Recepción de datos en modo de espera = 0x51 + 0xFF + 0x01 + 0x0B + 0x51 + 0xA4
Recepción de datos en modo encendido = No se devuelven datos

*7 : Recepción de datos en modo de espera = 0x51 + 0x00 + 0x01 + 0x0B + 0x51 + 0x5B

Recepción de datos en modo encendido = 0x53 + 0x00 + 0x02 + 0x0B + 0x00 + 0x52 + 0x5B

Función	Data[0]	Data[1]	Data[2]	Checksum
APAGAR ^{*6}	0x01	0x00	0x00	0x5a
ENCENDER ^{*7}	0x01	0x01	0x00	0x5b
MODO DE CÁMARA	0x02	0x00	0x00	0x59
MODO DE REPRODUCCIÓN	0x03	0x00	0x00	0x58
PC 1/2	0x04	0x00	0x00	0x5f
TIPO DE CAPTURA DE IMAGEN: INDIVIDUAL	0x05	0x00	0x00	0x5e
TIPO DE CAPTURA DE IMAGEN: CONTINUA	0x05	0x01	0x00	0x5f
INTERVALO DE CAPTURA CONT. +	0x06	0x00	0x00	0x5d
INTERVALO DE CAPTURA CONT. -	0x06	0x01	0x00	0x5c
RESOLUCIÓN DE CAPTURA DE IMAGEN: NORMAL	0x07	0x00	0x00	0x5c
RESOLUCIÓN DE CAPTURA DE IMAGEN: 13M	0x07	0x01	0x00	0x5d
INICIO DE TEMPORIZADOR	0x08	0x00	0x00	0x53
PAUSA DE TEMPORIZADOR	0x08	0x01	0x00	0x52
DETENCIÓN DE TEMPORIZADOR	0x08	0x02	0x00	0x51
ESTABLECIMIENTO DE TIEMPO DE TEMPORIZADOR	0x08	0x03	Value[1 ~ 120]	*1
MODO DE VISTA PREVIA: MOVIMIENTO	0x0A	0x02	0x00	0x53
MODO DE VISTA PREVIA: MICROSCOPIO	0x0A	0x03	0x00	0x52
MODO DE VISTA PREVIA: MACRO	0x0A	0x04	0x00	0x55

Función	Data[0]	Data[1]	Data[2]	Checksum
MODO DE VISTA PREVIA: INFINITO	0x0A	0x05	0x00	0x54
MODO DE VISTA PREVIA: NORMAL	0x0A	0x06	0x00	0x57
MODO DE VISTA PREVIA: ALTA CALIDAD	0x0A	0x07	0x00	0x56
VISTA PREVIA DE CAPTURA	0x0B	0x00	0x00	0x50
ELIMINACIÓN DE REPRODUCCIÓN	0x0C	0x00	0x00	0x57
PANTALLA COMPLETA DE REPRODUCCIÓN	0x0D	0x00	0x00	0x56
ESPEJO OFF	0x0E	0x00	0x00	0x55
ESPEJO ON	0x0E	0x01	0x00	0x54
ROTAR OFF	0x0F	0x00	0x00	0x54
ROTAR ON	0x0F	0x02	0x00	0x56
EFEECTO: COLOR	0x10	0x00	0x00	0x4b
EFEECTO: B/N	0x10	0x01	0x00	0x4a
EFEECTO: NEGATIVO	0x10	0x02	0x00	0x49
AUMENTO DE CONTRASTE	0x11	0x00	0x00	0x4a
DISMINUCIÓN DE CONTRASTE	0x11	0x01	0x00	0x4b
VALOR DE CONTRASTE	0x11	0x02	Value[1 ~ 255]	*1
AUMENTO DE BRILLO	0x12	0x00	0x00	0x49
DISMINUCIÓN DE BRILLO	0x12	0x01	0x00	0x48
VALOR DE BRILLO	0x12	0x02	Value[1 ~ 255]	*1
EXPOSICIÓN: AUTO	0x13	0x00	0x00	0x48
EXPOSICIÓN: MANUAL	0x13	0x01	0x00	0x49
AUMENTO DE EXPOSICIÓN MANUAL	0x14	0x00	0x00	0x4f
DISMINUCIÓN DE EXPOSICIÓN MANUAL	0x14	0x01	0x00	0x4e
BALANCE DE BLANCOS: AUTO	0x15	0x00	0x00	0x4e
BALANCE DE BLANCOS: MANUAL	0x15	0x01	0x00	0x4f
AUMENTO DE AZUL EN BALANCE DE BLANCOS	0x16	0x00	0x00	0x4d
DISMINUCIÓN DE AZUL EN BALANCE DE BLANCOS	0x16	0x01	0x00	0x4c
AUMENTO DE ROJO EN BALANCE DE BLANCOS	0x17	0x00	0x00	0x4c
DISMINUCIÓN DE ROJO EN BALANCE DE BLANCOS	0x17	0x01	0x00	0x4d
PARPADEO: 50Hz	0x18	0x00	0x00	0x43

Función	Data[0]	Data[1]	Data[2]	Checksum
PARPADEO: 60Hz	0x18	0x01	0x00	0x42
GRABAR: OFF	0x23	0x00	0x00	0x78
GRABAR: ON	0x23	0x01	0x00	0x79
RETROCESO RÁPIDO DE PELÍCULA	0x25	0x00	0x00	0x7e
AVANCE RÁPIDO DE PELÍCULA	0x25	0x01	0x00	0x7f
AUM. VOL. DE PELÍCULA	0x26	0x00	0x00	0x7d
DISM. VOL. DE PELÍCULA	0x26	0x01	0x00	0x7c
ALMACENAMIENTO: INTEGRADO	0x28	0x00	0x00	0x73
ALMACENAMIENTO: TARJETA SD	0x28	0x01	0x00	0x72
ALMACENAMIENTO: UNIDAD USB	0x28	0x02	0x00	0x71
FORMATEAR: MEMORIA INTEGRADA	0x29	0x00	0x00	0x72
FORMATEAR: TARJETA SD	0x29	0x01	0x00	0x73
FORMATEAR: UNIDAD USB	0x29	0x02	0x00	0x70
RESOLUCIÓN DE SALIDA 1024x768	0x2F	0x01	0x00	0x75
RESOLUCIÓN DE SALIDA 1280x720	0x2F	0x02	0x00	0x76
RESOLUCIÓN DE SALIDA 1920x1080	0x2F	0x03	0x00	0x77
RESOLUCIÓN DE SALIDA 3840x2160@30	0x2F	0x08	0x00	0x7c
RESOLUCIÓN DE SALIDA 3840x2160@60	0x2F	0x09	0x00	0x7d
CONEXIÓN USB: CÁMARA USB	0x30	0x00	0x00	0x6b
CONEXIÓN USB: ALMACENAMIENTO MASIVO	0x30	0x01	0x00	0x6a
COPIA DE SEGURIDAD EN TARJETA SD	0x31	0x00	0x00	0x6a
COPIA DE SEGURIDAD EN UNIDAD USB	0x31	0x01	0x00	0x6b
GUARDAR PERFIL: PERFIL 1	0x32	0x00	0x00	0x69
GUARDAR PERFIL: PERFIL 2	0x32	0x01	0x00	0x68
GUARDAR PERFIL: PERFIL 3	0x32	0x02	0x00	0x6b
RECUPERAR PERFIL: PERFIL 1	0x33	0x00	0x00	0x68
RECUPERAR PERFIL: PERFIL 2	0x33	0x01	0x00	0x69
RECUPERAR PERFIL: PERFIL 3	0x33	0x02	0x00	0x6a
PRESENTACIÓN OFF	0x34	0x00	0x00	0x6f
PRESENTACIÓN ON	0x34	0x01	0x00	0x6e

Función	Data[0]	Data[1]	Data[2]	Checksum
CALIDAD DE CAPTURA: NORMAL	0x37	0x00	0x00	0x6c
CALIDAD DE CAPTURA: ALTA	0x37	0x01	0x00	0x6d
CALIDAD DE CAPTURA: MÁXIMA	0x37	0x02	0x00	0x6e
ENFOQUE AUTOMÁTICO	0x40	0x00	0x00	0x1b
MENÚ	0x41	0x00	0x00	0x1a
FLECHA - ABAJO	0x42	0x00	0x00	0x19
FLECHA - ARRIBA	0x42	0x01	0x00	0x18
FLECHA - IZQUIERDA	0x42	0x02	0x00	0x1b
FLECHA - DERECHA	0x42	0x03	0x00	0x1a
INTRO	0x43	0x00	0x00	0x18
CONGELAR/DETENER	0x44	0x00	0x00	0x1f
PREDETERMINADO	0x45	0x00	0x00	0x1e
ZOOM -	0x46	0x00	0x00	0x1d
ZOOM +	0x46	0x01	0x00	0x1c
RESTABLECIMIENTO DE ZOOM	0x47	0x00	0x00	0x1c
ENFOCAR PARA ACERCAR	0x48	0x00	0x00	0x13
ENFOCAR PARA ALEJAR	0x48	0x01	0x00	0x12
LUZ OFF	0x49	0x00	0x00	0x12
LUZ ON	0x49	0x01	0x00	0x13
AUMENTO DE SATURACIÓN	0x4B	0x00	0x00	0x10
DISMINUCIÓN DE SATURACIÓN	0x4B	0x01	0x00	0x11
VALOR DE SATURACIÓN	0x4B	0x02	Value[1 ~ 255]	*1
SILENCIAR OFF	0x4C	0x00	0x00	0x17
SILENCIAR ON	0x4C	0x01	0x00	0x16

Tabla de comandos de recepción de RS-232

Formato de envío : 0x52 + 0x0A + 0x01 + Data[0] + 0x53 + Checksum

Formato de recepción : 0x53 + 0x0C + 0x01 + ReData[0] + 0x52 + ReChecksum*1

*1 : ReChecksum = 0x0C xor 0x01 xor ReData[0] xor 0x52

*2 : Recepción de datos con estado de alimentación = 0x51 + 0xFF + 0x01 + 0x0A + 0x51 + 0xA5

Función	Data[0]	Checksum	ReData[0]
Valor rojo	0x02	0x5A	Value[0 ~ 255]
Valor azul	0x03	0x5B	Value[0 ~ 255]
Estado de alimentación	0x04	0x5C	OFF [*2]
			1: ON
Estado de luz	0x05	0x5D	0: OFF 1: ON
Estado de visualización	0x06	0x5E	0: Modo de cámara
			1: Modo de reproducción
			2: PC-1 Pass Through
Estado de congelación	0x08	0x50	0: OFF 1: ON
Valor de brillo	0x0A	0x52	Value[1 ~ 64]
Valor de contraste	0x0B	0x53	Value[1 ~ 32]
Valor de saturación	0x0D	0x55	Value[1 ~ 32]

MENÚ OSD

Existen tres opciones principales en el menú OSD: **IMAGEN**, **CONFIGURACIÓN** y **SISTEMA**.

IMAGEN	Brillo
AJUSTE	Contraste
SISTEMA	Saturación
	Modo de vista previa
	Efecto
	Espejo
	Configuración de exposición
	Exposición manual
	Configuración W.B.
	Manual WB Azul
	Manual WB Roja
	Enfoque

IMAGEN

IMAGEN	Resolución de captura
AJUSTE	Calidad de captura
SISTEMA	Captura de tipo
	Captura de intervalo
	Almacenamiento
	Formato
	USB a PC
	Volumen de micrófono
	Temporizador
	Intervalo de tiempo

CONFIGURACIÓN

IMAGEN	Idioma
AJUSTE	Pantalla de salida
SISTEMA	Copia de seguridad
	Guardar configuración
	Recuperar configuración
	Parpadeo
	Información
	Por defecto

SISTEMA

Desplazamiento por el menú y submenú

1. Pulse el botón MENU en el mando o panel de control.
2. Pulse ►, ◀, ▲ y ▼ para elegir una selección en la lista del menú.
3. Pulse ◀ para realizar una selección.
4. Utilice ▲ y ▼ para ajustar el parámetro o realizar una selección.
5. Pulse ◀ para acceder al submenú.

Imagen

Pantalla del menú			Función
IMAGEN	Brillo	+	Brillo Ajuste el nivel de brillo manualmente entre 0 y 255.
AJUSTE	Contraste	125	
SISTEMA	Saturación	-	
	Modo de vista previa		
	Efecto		
	Espejo		
	Configuración de exposición		
	Exposición manual		
	Configuración W.B.		
	Manual WB Azul		
	Manual WB Roja		
	Enfoque		

IMAGEN	Brillo	+	Contraste Ajuste el nivel de contraste manualmente entre 0 y 255 en entornos luminosos y oscuros.
AJUSTE	Contraste	128	
SISTEMA	Saturación	-	
	Modo de vista previa		
	Efecto		
	Espejo		
	Configuración de exposición		
	Exposición manual		
	Configuración W.B.		
	Manual WB Azul		
	Manual WB Roja		
	Enfoque		

Pantalla del menú

Función



Saturación

Ajuste el nivel de saturación manualmente entre 0 y 255.



Modo de vista previa

Seleccione entre los distintos ajustes de visualización de imagen.

Normal: ajusta el gradiente de la imagen.

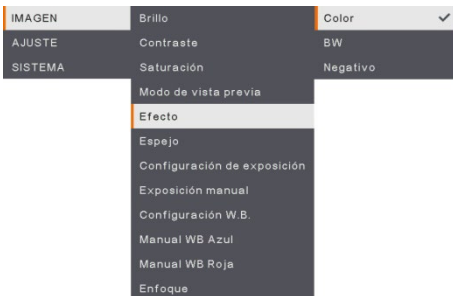
Movimiento: alta frecuencia de actualización en una imagen en movimiento.

Alta calidad: alta resolución con la mejor calidad.

Microscopio: ajusta automáticamente el zoom óptico para la vista microscópica.

Macro: utilice esta opción para una imagen más cercana.

Infinito: utilice esta opción para una imagen más lejana.



Efecto

Convierta la imagen en positivo (color verdadero), monocromo (blanco y negro) o negativo.

Pantalla del menú

Función



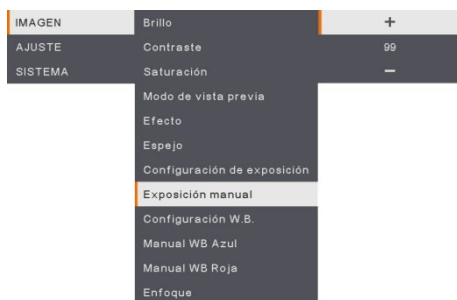
Espejo

Seleccione esta opción para voltear la imagen a la izquierda y a la derecha.



Configuración de exposición

Seleccione AUTO para ajustar automáticamente la configuración de exposición y balance de blancos y corregir el color y la compensación de exposición. Seleccione MANUAL para activar la configuración avanzada para la exposición manual y el balance de blancos.



Exposición manual

MANUAL: ajuste manualmente el nivel de exposición. La exposición puede ajustarse entre 0 y 99.

Pantalla del menú

Función



Configuración del balance de blancos

Seleccione la opción Balance de blancos para varias condiciones de luz o temperatura de color.

AUTO: ajuste el balance de blancos de forma automática.

MANUAL: ajuste manualmente el nivel de color. Seleccione Manual para activar la configuración avanzada de balance de blancos.



Azul de balance de blancos manual

Ajuste manualmente el nivel de color azul. El nivel de color puede ajustarse hasta un valor de 255.



Rojo de balance de blancos manual

Ajuste manualmente el nivel de color rojo. El nivel de color puede ajustarse hasta un valor de 255.

Pantalla del menú

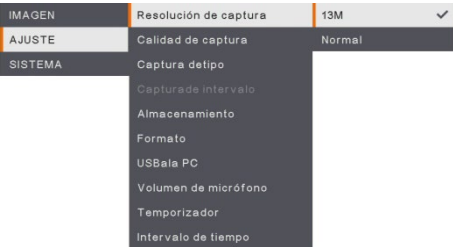
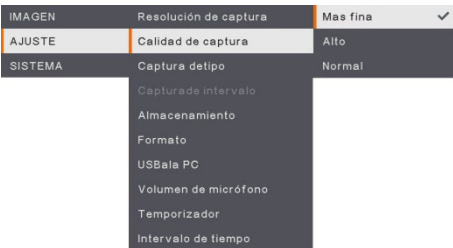
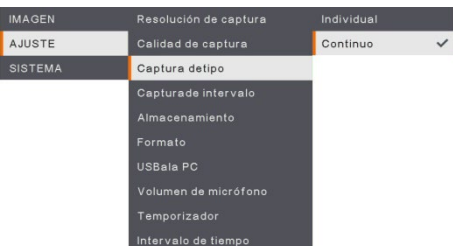
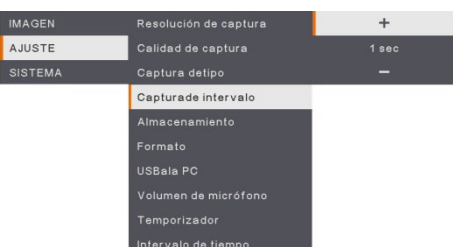
Función

IMAGEN	Brillo	+
AJUSTE	Contraste	103
SISTEMA	Saturación	-
	Modo de vista previa	
	Efecto	
	Espejo	
	Configuración de exposición	
	Exposición manual	
	Configuración W.B.	
	Manual WB Azul	
	Manual WB Roja	
	Enfoque	

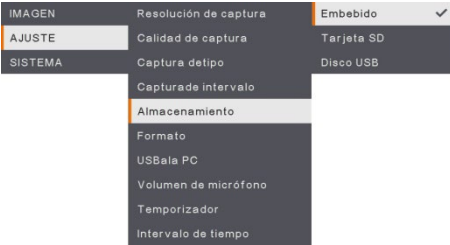
Enfocar

Ajuste manualmente la imagen.

Configuración

Pantalla del menú		Función
	Resolución de captura Seleccione el tamaño de captura. En el ajuste 13M , el tamaño de la resolución de captura es de 4.208 x 3.120. Si se selecciona Normal , el tamaño de la captura se basará en la configuración de resolución.	
	Calidad de captura Seleccione la configuración de la compresión de captura. Seleccione Máxima para obtener la compresión de captura de mejor calidad.	
	Tipo de captura Seleccione el tipo de captura. Individual : captura una sola imagen. Continua : captura imágenes sucesivas (pulse cualquier tecla para detener la captura continua). Seleccione Continua para activar la opción Intervalo de captura .	
	Intervalo de captura Establezca el intervalo de tiempo para la captura continua. La duración puede establecerse en un máximo de 600 seg. (10 min.).	

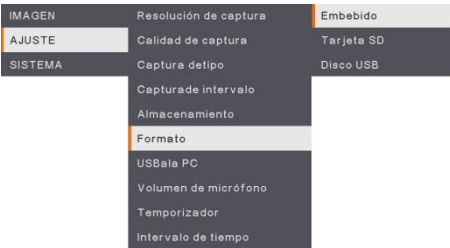
Pantalla del menú



Función

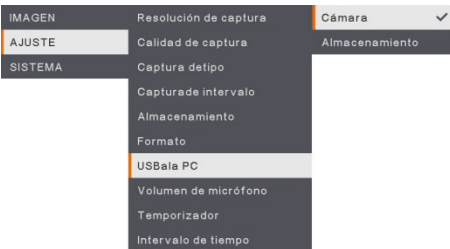
Almacenamiento

Cambie la ubicación del almacenamiento. La grabación de audio y video solo puede guardarse en la memoria integrada, en una tarjeta SD o en una unidad USB.



Formatear

Formatee para eliminar todos los datos en la memoria seleccionada.

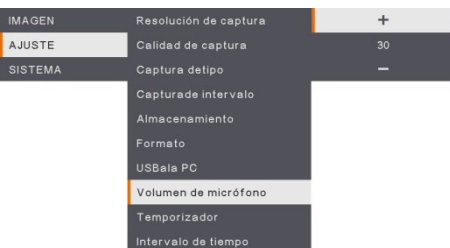


USB a PC

Seleccione el estado de la AVerVision M90UHD cuando esté conectada a un ordenador mediante un cable USB.

Cámara : puede utilizarse como la webcam de un ordenador o con nuestro software integrado para grabar vídeo y capturar imágenes.

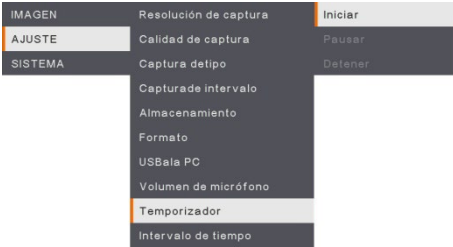
Almacenamiento : transfiera las imágenes/vídeos capturados de la memoria al disco duro del ordenador.



Volumen de micrófono

Ajuste la entrada del volumen de la grabación o la entrada de audio USB.

Pantalla del menú



Función

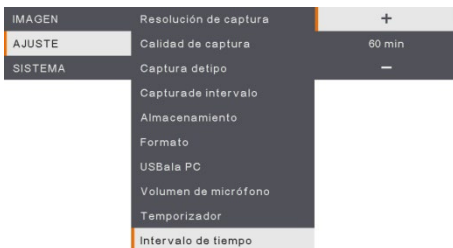
Iniciar temporizador

Inicie el temporizador. El temporizador cuenta automáticamente hacia delante cuando la cuenta atrás llega a cero para mostrar el tiempo transcurrido.



Pausar/Detener temporizador

Pulse el botón Menu mientras el temporizador está en marcha para pausarlo o detenerlo.



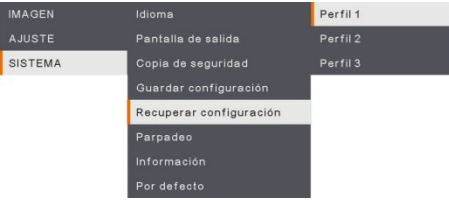
Intervalo de temporizador

Establezca la duración del temporizador hasta horas horas.

Sistema

Pantalla del menú	Función
 <p>The screenshot shows a menu with three categories: IMAGEN, AJUSTE, and SISTEMA. Under the SISTEMA category, the 'Idioma' option is selected, opening a list of languages. 'Español' is highlighted with a checkmark.</p>	<h3>Idioma</h3> <p>Cambie y seleccione un idioma distinto. La M90UHD admite hasta 12 idiomas.</p>
 <p>The screenshot shows the 'Pantalla de salida' option selected under the SISTEMA category. A list of resolutions is shown: 3840x2160 @ 60, 3840x2160 @ 30, 1920x1080 (selected with a checkmark), 1280x720, and 1024x768.</p>	<h3>Visualización de salida</h3> <p>Establezca la resolución con la que se mostrará la imagen en la pantalla. La resolución del dispositivo de salida se detecta automáticamente y se configura con la máxima resolución.</p>
 <p>The screenshot shows the 'Copia de seguridad' option selected under the SISTEMA category. Other options visible include 'Tarjeta SD', 'Disco USB', 'Guardar configuración', 'Recuperar configuración', 'Parpadeo', 'Información', and 'Por defecto'.</p>	<h3>Copia de seguridad</h3> <p>Copie la imagen de la memoria integrada a la tarjeta SD o unidad flash USB.</p>
 <p>The screenshot shows the 'Guardar configuración' option selected under the SISTEMA category. Other options visible include 'Perfil 1', 'Perfil 2', 'Perfil 3', 'Recuperar configuración', 'Parpadeo', 'Información', and 'Por defecto'.</p>	<h3>Guardar configuración</h3> <p>Guarde los ajustes actuales (brillo, contraste, saturación, modo de vista previa, etc.) en el número de perfil seleccionado.</p>

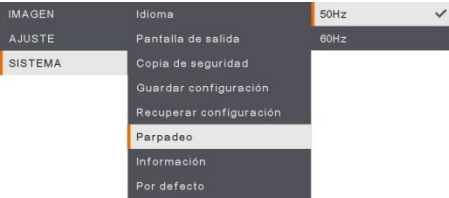
Pantalla del menú



Función

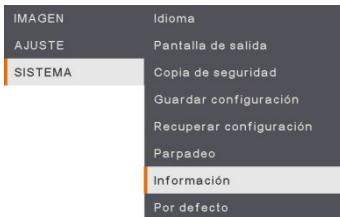
Recuperar configuración

Restablezca la configuración del número de perfil seleccionado.



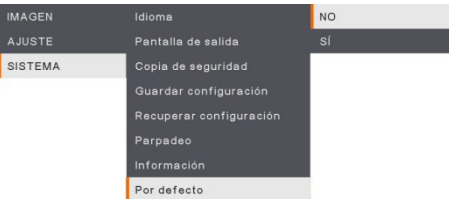
Parpadeo

Seleccione entre 50 Hz o 60 Hz. Algunos dispositivos de visualización no admiten frecuencias de actualización elevadas. La imagen parpadeará un par de veces al cambiar a otra frecuencia de actualización.



Información

Muestra la información del producto.



Predeterminado

Restaurar todos los ajustes a los valores predeterminados de fábrica. Se eliminarán todas las configuraciones guardadas.

Reproducción

Puede utilizar la función de reproducción para configurar las imágenes o vídeos guardados.

Pantalla del menú	Función
	Presentación Inicie o detenga la presentación.
	Intervalo Establezca el intervalo entre las imágenes o vídeos.
	Almacenamiento Elija las imágenes o los vídeos de Storage: Integrado, Tarjeta SD o Unidad USB.
	Eliminar todo Seleccione esta opción para eliminar todas las imágenes o vídeos guardados.

Transferencia de imágenes/vídeos capturados a un ordenador

Permite transferir la imagen capturada de la memoria integrada, una tarjeta SD, una unidad USB o un ordenador.

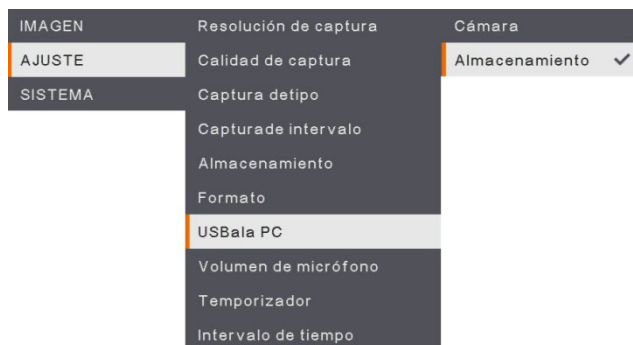
Puede guardar sus imágenes/vídeos de dos formas:

- a. Memoria integrada + Tarjeta SD
- b. Memoria integrada + Unidad USB



LEA y siga las instrucciones a continuación **ANTES** de conectar el cable USB.

1. **DEBE** establecer USB a PC como ALMACENAMIENTO antes de conectar el cable USB.



2. Cuando se muestre «Almacenamiento masivo » en la parte inferior derecha de la pantalla de presentación, podrá conectar el cable USB.
3. Una vez conectado el cable USB, el sistema detectará automáticamente el nuevo disco extraíble. Ahora ya puede transferir las imágenes o vídeos capturados de la **memoria integrada de la M90UHD, tarjeta SD o unidad USB** al disco duro del ordenador.

Especificaciones técnicas

Imagen

Sensor	CMOS 1/3,06"
Número de píxeles	13 megapíxeles
Velocidad de fotogramas	60 fps (máx.)
Balance de blancos	Auto/Manual
Exposición	Auto/Manual
Modo de imagen	Normal, Movimiento, Alta calidad, Microscopio, Macro, Infinito
Efecto	Color/B&N/Negativo
Salida RGB	1280×720, 1024×768, 1080P
Salida HDMI	4K, 1080p, 720p
Captura de imagen	200 fotogramas

Óptica

Enfoque	Auto/Manual
Área de disparo	420 x 315 mm
Zoom	Total Zoom 322x (zoom óptico, 14x; zoom digital, 23x)

Alimentación

Fuente de alimentación	5 Vcc/3 A, 100-240 Vca, 50-60 Hz
Consumo	10 vatios (lámpara encendida); 9 vatios (lámpara apagada)

Iluminación

Tipo de lámpara	Luz LED
-----------------	---------

Entrada/Salida

Entrada HDMI	Sí (HDMI, pass through)
Salida HDMI	Sí (HDMI, pass through)
Entrada VGA	Sí (15 pines D-sub, pass through)
Salida VGA	Sí (15 pines D-sub, pass through)
Puerto USB A	1 (tipo A para unidad flash USB)
Puerto USB B	1 receptáculo mini-B
Micrófono	Integrado
Ranura de tarjeta SD	1 (tarjeta micro-SD, 32 GB)
Salida de línea	Conector de teléfono
Micrófono	Entrada MIC
Entrada de 5 Vcc	Conector de alimentación
Conector Kensington	Sí
*RS 232 (opcional)	Conector mini-DIN (uso de cable de adaptador RS 232 opcional)

Dimensiones

En uso	481,3 mm (largo) x 159 mm (ancho) x 469,9 mm (alto)
Plegada	319,0 mm (largo) x 176 mm (ancho) x 112 mm (alto)
Peso	2,2 +/-0,5 kg (aprox. 5,732 libras)

Almacenamiento externo

Tarjeta micro-SD	32 GB máx. (FAT32)
Unidad flash USB	32 GB máx. (FAT32)

*tenga en cuenta que esta especificación depende de cierto orden.

Solución de problemas

En esta sección, se proporcionan consejos prácticos sobre cómo solucionar problemas comunes al utilizar la AVerVision M90UHD.

No se muestra ninguna imagen en la pantalla de presentación.

1. Vuelva a comprobar todos los conectores de acuerdo con las instrucciones de este manual.
2. Compruebe la configuración del dispositivo de visualización.
3. Si está realizando una presentación desde un ordenador portátil o de sobremesa a través del dispositivo de salida de visualización, compruebe la conexión del cable de la salida RGB (VGA) del ordenador a la entrada RGB de la M90UHD y asegúrese de que la AVerVision M90UHD esté en el modo de PC.
4. En la salida de la pantalla HDMI, se produce un retraso mientras se espera a que tanto el dispositivo de visualización como el M90UHD se sincronicen. Espere entre 4 y 7 segundos hasta que aparezca la imagen de la cámara en la pantalla.

La imagen en la pantalla de presentación se muestra distorsionada o borrosa.

1. Si procede, restablezca todos los ajustes modificados a los valores predeterminados de fábrica. Pulse el botón **DEFAULT** en el mando a distancia o seleccione Predeterminado (Default) en la ficha Básica (Basic) del menú OSD.
2. Utilice las funciones de brillo y contraste del menú para reducir la distorsión, si procede.
3. Si la imagen se muestra borrosa o desenfocada, pulse el botón Auto Focus en el panel del control o el mando a distancia.

No hay señal de ordenador en la pantalla de presentación.

1. Compruebe todas las conexiones entre el dispositivo de visualización, AVerVision M90UHD y el PC.
2. Conecte el PC a la AVerVision M90UHD antes de encender el ordenador.
3. En un portátil, pulse repetidamente FN+F5 para alternar entre los modos de visualización y mostrar la imagen del ordenador en la pantalla de presentación. Para otros comandos, consulte el manual de su portátil.

La pantalla de presentación no muestra la imagen exacta del escritorio de mi PC o portátil después de cambiar del modo de Cámara a PC.

1. En su PC o portátil, vaya al escritorio, haga clic con el botón derecho, seleccione «Propiedades» (Properties), haga clic en la ficha «Setting» (Configuración), seleccione monitor «2» y active la casilla de verificación «Extender mi escritorio de Windows a este monitor» (Extend my Windows desktop onto this monitor).
2. A continuación, vuelva al escritorio de su PC o portátil y vuelva a hacer clic con el botón derecho del ratón.
3. En esta ocasión, seleccione «Opciones de gráficos» (Graphics Options), haga clic en « Salida a» (Output To), seleccione «Intel® Dual Display Clone» y, por último, «Monitor + Notebook».
4. Tras seguir estos pasos, debería poder ver la misma imagen del escritorio en su PC o portátil y en la pantalla de presentación.

La AVerVision M90UHD no detecta la unidad flash USB insertada

Asegúrese de que la unidad flash USB esté correctamente insertada y en el formato adecuado. Solo se admite FAT32.

Garantía limitada

Durante un período de tiempo contado a partir de la fecha de compra del producto aplicable y con una duración que se expone en la sección “**Período de garantía del producto AVer adquirido**”, AVer Information Inc. (“AVer”) garantiza que el producto aplicable (“Producto”) se ajusta considerablemente a la documentación de AVer del producto y que su fabricación y componentes no presentan defectos materiales ni de mano de obra cuando se usa con normalidad. “Usted”, tal y como se usa en este contrato, hace referencia a usted como individuo o a la entidad comercial en cuyo nombre usted instala el producto, según sea aplicable. Esta garantía limitada solamente se aplica a Usted como comprador original.

Excepto en lo anterior, el Producto se proporciona “COMO ESTÁ”. En ningún caso, AVer garantiza que Usted podrá usar el Producto sin problemas o interrupciones, o que el Producto es adecuado para sus fines. Su remedio exclusivo y toda la responsabilidad de AVer recogidos en este párrafo, a discreción de AVer, se limitará a la reparación o sustitución del Producto por otro igual o similar. Esta garantía no se aplica a (a) ningún Producto en el que el número de serie se haya desfigurado, modificado o quitado, o (b) cajas de cartón, carcasas, baterías, armarios, cintas o accesorios usados con este producto. Esta garantía no se aplica a ningún Producto que haya sufrido daños, deterioro o funcionamiento defectuoso a causa de (a) accidentes, abusos, mal uso, negligencia, incendio, agua, tormentas u otras causas de la naturaleza, uso comercial o industrial, modificación no autorizada del producto o incumplimiento de las instrucciones incluidas con el Producto, (b) uso indebido por alguna persona que no sea un representante del fabricante, (c) cualquier daño por transporte (tales reclamaciones se deben dirigir al transportista), o (d) cualquier otra causa no relacionada con un defecto del Producto. El Período de garantía de cualquier Producto reparado o reemplazado debe ser el que sea más largo de (a) el Período de garantía original o (b) treinta (30) días desde la fecha de entrega del producto reparado o reemplazado.

Limitaciones de la garantía

AVer no ofrece ninguna garantía a terceros. Usted es el responsable de todas las reclamaciones, daños, acuerdos, gastos y honorarios de abogados con respecto a las demandas contra Usted como consecuencia de Su uso o mal uso del Producto. Esta garantía solamente se aplica si el Producto se instala, mantiene y usa conforme a las especificaciones de AVer. Específicamente, las garantías no se extienden a ninguna avería causada por (i) accidentes, fuerza física, eléctrica o magnética inusual, negligencia o mal uso, (ii) fluctuaciones del suministro eléctrico que superen las especificaciones de AVer, (iii) uso del Producto con cualquier accesorio u opciones no proporcionados por AVer o sus agentes autorizados, o (iv) instalación, alteración o reparación del Producto por cualquier otra persona distinta a AVer o a sus agentes autorizados.

Renuncia de garantía

Excepto según lo expresamente aquí proporcionado y dentro de los límites establecidos por la legislación vigente, aver renuncia a todas las garantías respecto al producto, ya sean expresas, implícitas, estatutariamente o de la forma que fuere, incluidas, pero sin limitarse a, calidad satisfactoria, transcurso de relaciones, uso de marca o práctica o las garantías implícitas de comerciabilidad, idoneidad para un fin determinado o el no incumplimiento de los derechos de terceros.

Limitación de responsabilidad

En ningún caso, aver se responsabilizará de ningún daño indirecto, incidental, especial, ejemplar, punitivo o consecuente de ningún tipo, lo que incluye, sin limitación, pérdida de beneficios, datos, ingresos, producción, o uso, interrupción de actividad profesional, u obtención de bienes o servicios sustitutos que surjan de o estén relacionados con esta garantía limitada, o el uso o rendimiento de ningún producto, estuviera basado o no en un contrato, incluida negligencia, o cualquier otra teoría legal, aunque aver hubiera tenido conocimiento de la posibilidad de tales daños.

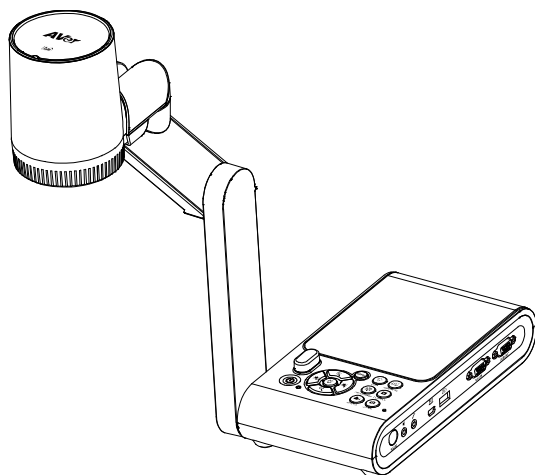
Toda la responsabilidad de aver por los daños de cualquier tipo, independiente de la forma de acción, no superará en ningún caso el importe pagado por usted a aver por el producto específico en el que se basa esta responsabilidad.

Legislación vigente y sus derechos

Esta garantía le otorga derechos legales específicos; Usted también puede tener otros derechos otorgados por la legislación estatal. Estos derechos pueden variar en función del estado.



Para obtener información sobre el período de garantía, consulte la tarjeta de garantía.



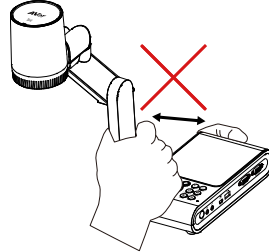
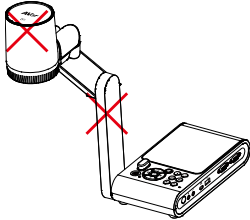
AVerVision M90UHD

Manuale dell'utente

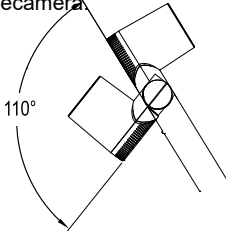


AVVERTENZA

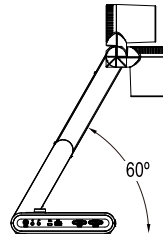
- Per ridurre il rischio di incendio o di scosse elettriche, non esporre questo dispositivo alla pioggia o all'umidità. La garanzia decade qualora vengano apportate modifiche non autorizzate al prodotto.
- Non lasciar cadere la telecamera e non sottoporla a urti fisici.
- Servirsi della corretta tensione di alimentazione per evitare di danneggiare la telecamera.
- Non posizionare la telecamera in un punto in cui il cavo possa essere calpestato, in quanto ciò potrebbe causare lo sfilacciamento o il danneggiamento del cavo stesso o della spina.
- Tenere la parte inferiore della telecamera con entrambe le mani quando è necessario spostarla. Non afferrare l'obiettivo o il braccio flessibile per spostare la telecamera.
- Non tirare il braccio meccanico e la parte della telecamera nella direzione opposta.



- Non spostare la testa della telecamera oltre i 110° per evitare l'usura della testa della telecamera.



- Non tirare il braccio meccanico più in basso di un angolo di 60° per evitare l'usura della telecamera.





IL SIMBOLO DEL BIDONE CON LE RUOTE BARRATO DA UNA CROCE INDICA CHE IL PRODOTTO NON DEVE ESSERE SMALTITO CONGIUNTAMENTE AI RIFIUTI DOMESTICI. SARÀ NECESSARIO SMALTIRE LA STRUMENTAZIONE DI SCARTO PRESSO UN APPOSITO PUNTO DI SMALTIMENTO PER IL RICICLAGGIO DELLA STRUMENTAZIONE ELETTRICA ED ELETTRONICA. PER ULTERIORI INFORMAZIONI SUI PUNTI IN CUI SCARICARE I DISPOSITIVI DI SCARTO PER PROCEDERE AL RICICLAGGIO DEGLI STESSI INVITIAMO A CONTATTARE IL PROPRIO SERVIZIO DI SMALTIMENTO DEI RIFIUTI OPPURE IL NEGOZIO PRESSO IL QUALE È STATO ACQUISTATO IL PRODOTTO.

Avvertenza

Questo è un prodotto di classe A. In ambienti domestici, il dispositivo può provocare interferenze radio; in questo caso è opportuno prendere le adeguate contromisure.

Informazioni sulla sicurezza delle batterie del telecomando

- Conservare le pile in un luogo fresco e secco.
- Non smaltire le pile usate insieme ai rifiuti domestici. Smaltire le pile presso gli specifici punti di raccolta o, eventualmente, riportarle in negozio.
- Rimuovere le batterie se non vengono utilizzate per un lungo periodo di tempo. Le perdite delle pile e la corrosione potrebbero danneggiare il telecomando. Smaltire le pile in modo sicuro.
- Non mescolare e usare pile vecchie e nuove.
- Non mescolare e usare diversi tipi di pile alcaline, standard (carbone-zinco) o ricaricabili (nickel-cadmio).
- Non smaltire le pile nel fuoco.
- Non cercare di cortocircuitare i terminali della batteria.

RINUNCIA

Non viene fornita nessuna garanzia o rappresentazione, espressa o implicita, relativamente ai contenuti della presente documentazione, oltre che a livello di qualità, performance, commerciabilità o idoneità per un determinato scopo. La correttezza delle informazioni contenute in questa documentazione è stata attentamente vagliata; non ci assumiamo tuttavia alcuna responsabilità per eventuali imprecisioni. Le informazioni contenute in questa documentazione sono soggette a modifiche senza preavviso.

AVer non sarà in nessun caso responsabile per danni diretti, indiretti, speciali, accidentali o consequenziali derivanti dall'uso o dall'incapacità di usare il prodotto o la documentazione, anche qualora siano state fornite in formazioni relativamente alla possibilità dei summenzionati danni.

MARCHI COMMERCIALI

"AVer" è un marchio registrato da AVer Information Inc. Altri marchi commerciali qui usati unicamente a scopo descrittivo appartengono alle rispettive aziende.

COPYRIGHT

© 2023 Tutti i diritti di questo oggetto appartengono ad AVer Information Inc. | 9 agosto 2023

La riproduzione o la trasmissione in qualsiasi forma, o con qualsiasi mezzo senza disporre del previo consenso di AVer Information Inc. è vietata. Tutte le informazioni o le specifiche sono soggette a variazioni senza previa notifica.

Altro Aiuto

Per Domande tecniche, assistenza tecnica, download di software e manuale di istruzioni, invitiamo a visitare:

Centro download:

<https://www.avereurope.com/download-center>



Assistenza tecnica:

<https://www.avereurope.com/technical-support>



Informazioni di contatto

AVer Information Europe B.V.

<https://www.avereurope.com>

Westblaak 134, 3012 KM, Rotterdam, The Netherlands

Tel: +31 (0) 10 7600 550

Assistenza tecnica: eu.rma@aver.com

Contenuti

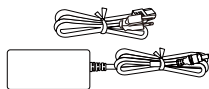
Contenuto della confezione	1
Accessori opzionali	1
Acquisire familiarità con il dispositivo AVerVision M90UHD	1
Pannello destro.....	3
Pannello sinistro	3
Pannello posteriore.....	4
Pannello di controllo	5
Telecomando	7
Eeguire i collegamenti.....	9
Collegamento dell'alimentazione	9
Collegamento a un Computer tramite USB.....	10
Collegamento a un Monitor o a un Proiettore LCD/DLP con uscita VGA/HDMI.....	11
Collegare a un computer con ingresso VGA/HDMI.....	12
Collegare una cassa amplificata	14
Collegare un microfono.....	14
Collegamento a un microscopio.....	15
Configurazione del dispositivo AVerVision M90UHD	17
Conservazione della videocamera per documenti	17
Area di ripresa	18
Luce proiettore.....	20
Sensore a infrarossi.....	21
Installazione del dispositivo M90UHD su una superficie piatta	21
Foglio anti-riflesso.....	22
Supporto di memoria esterno.....	22
Inserire una scheda Micro SD.....	22
Inserimento di un drive flash USB.....	22
Schema di collegamento RS232	23
RS-232 Invio tabella dei comandi	24
RS-232 Ottieni tabella dei comandi	28
MENU OSD	29
Spostarsi nel Menu e nel Sottomenu	30
Immagine.....	30
Luminosità	30
Contrasto	30
Saturazione.....	30
Modalità anteprima	31
Effetto	31
Specchio.....	31
Configurazione dell'esposizione	32
Esposizione manuale.....	32
Bilanciamento dei bianchi Configurazione	32

Manuale WB Blu	33
Manuale WB Rosso	33
Messa a fuoco	33
Impostazione	34
Risoluzione di Cattura	34
Qualità di cattura	34
Tipo di cattura	34
Intervallo di cattura	34
Archiviazione	35
Formato	35
Da USB a PC	35
Volume del microfono	35
Avvia timer	36
Metti in pausa/Stop Timer	36
Intervallo Timer	36
Sistema	37
Lingua	37
Display di uscita	37
Backup	37
Salva impostazioni	37
Richiama impostazioni	38
Sfarfallio	38
Informazioni	38
Valore predefinito	38
Riproduzione	39
Presentazione	39
Intervallo	39
Archiviazione	39
Elimina tutto	39
Trasferimento delle immagini/video catturati su un computer	40
Specifiche tecniche	41
Immagine	41
Ottica	41
Alimentazione	41
Illuminazione	41
Ingresso / Uscita	41
Dimensioni	42
Dispositivo di stoccaggio esterno	42
Guida alla risoluzione dei problemi	43
Garanzia limitata	44
RESPONSABILITÀ	44

Contenuto della confezione



M90UHD



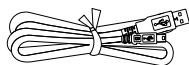
**Adattatore di alimentazione
cavo di alimentazione***



Telecomando



Pile AAA (x2)



Cavo USB



Cavo VGA



**Scheda di
garanzia**



Guida rapida

*Il cavo di alimentazione varia a seconda della presa di corrente standard del paese in cui viene venduto il prodotto.

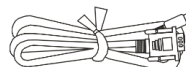
Accessori opzionali



Borsa da trasporto



Foglio anti-riflesso



Cavo RS-232

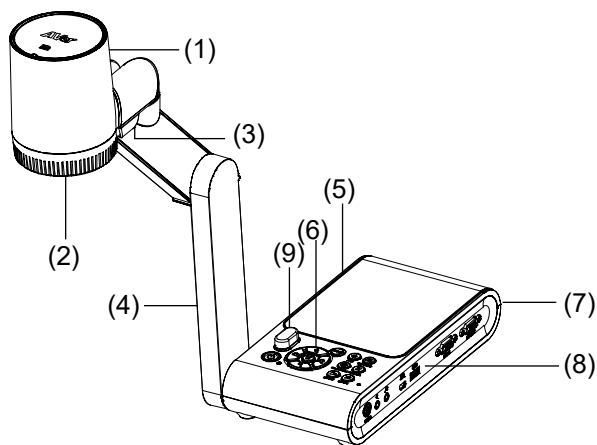


Piastra di collegamento



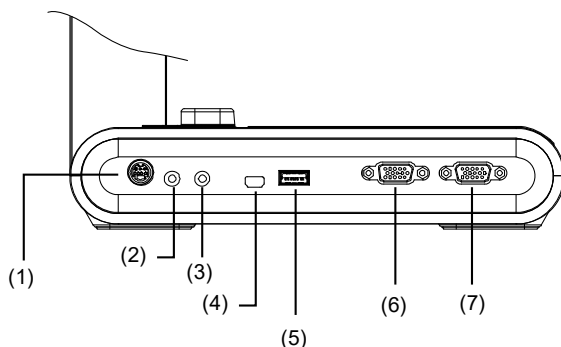
**Adattatore per microscopio
(I raccordi in gomma da 28mm e 34mm sono forniti
all'interno della confezione)**

Acquisire familiarità con il dispositivo AVerVision M90UHD



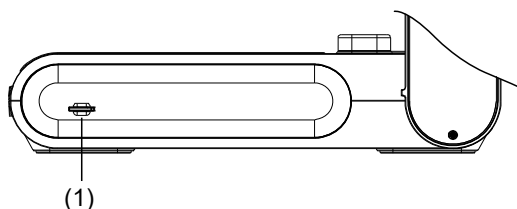
Nome	Funzione
(1) Testa della videocamera	Contiene il sensore della telecamera.
(2) Obiettivo della telecamera	Mette a fuoco l'immagine della telecamera.
(3) Spia LED	Fornisce luce per migliorare le condizioni di illuminazione.
(4) Braccio meccanico	Fornisce una copertura regolabile della visualizzazione.
(5) Pannello sinistro	Alloggiamento scheda Micro SD.
(6) Pannello di controllo	Accesso facile alle diverse funzioni.
(7) Pannello posteriore	Collegamenti per alimentazione, dispositivo display esterno con uscita/ingresso HDMI, e alloggiamento compatibile con blocco di sicurezza Kensington.
(8) Pannello destro	Collegamenti per computer, dispositivo display esterno con uscita/ingresso VGA, e porta USB, Mini USB, ingresso MIC, uscita di linea e RS232 (Opzionale).
(9) Sensore Infrarossi	Riceve i comandi del telecomando.

Pannello destro



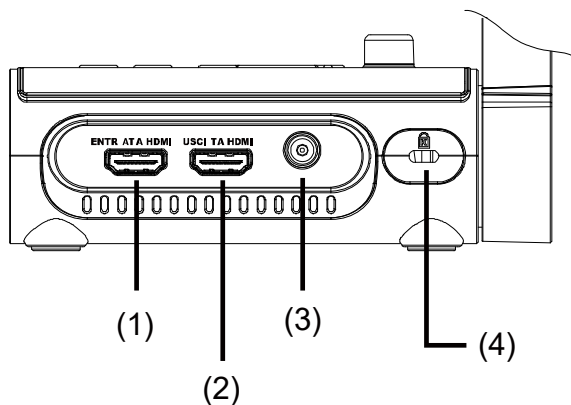
Nome	Funzione
(1) Porta RS232	Collegare questa porta a un computer usando il cavo RS232. Per ulteriori dettagli, rimandiamo allo Schema delle Connessioni RS232 . (Opzionale)
(2) Porta uscita di linea	Collegare a una cassa amplificata per riprodurre l'audio registrato e il clip video.
(3) Porta di ingresso MICROFONO	Collegamento a un microfono esterno.
(4) Mini-porta USB	Collegare a una porta USB di un computer servendosi di un cavo USB e utilizzare AVerVision M90UHD come telecamera USB oppure trasferire l'immagine/i filmati catturati dalla sorgente di memoria al computer.
(5) Porta USB	Inserire un drive flash USB per salvare le immagini / i video direttamente dal drive flash USB.
(6) Porta IN da VGA	Ingresso del segnale da un computer o altre sorgenti e lo trasmette solo dalla porta d'uscita VGA OUT. Collegare questa porta alla porta d'uscita VGA del computer.
(7) Porta OUT da VGA	Collegare il dispositivo AVerVision M90UHD a qualsiasi dispositivo display con cavo VGA.

Pannello sinistro



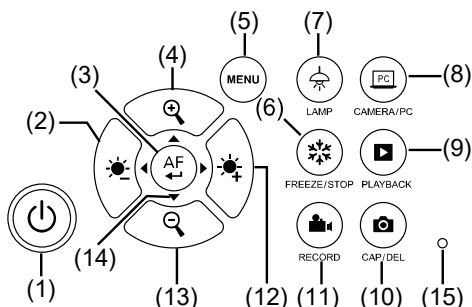
Nome	Funzione
(1) Alloggiamento scheda Micro SD	Inserire la scheda Micro SD con l'etichetta rivolta verso l'alto. La scheda Micro SD consente di salvare le immagini catturate e di registrare i file video.

Pannello posteriore



Nome	Funzione
(1) Porta IN da HDMI	Collegare una sorgente HDMI esterna come ingresso tramite questa porta. Collegare questa porta alla porta d'uscita HDMI del computer.
(2) Porta OUT da HDMI	Emette il segnale video dal sistema principale su un pannello piatto interattivo, su un monitor LCD oppure su un proiettore LCD/DLP con interfaccia HDMI servendosi di un cavo HDMI.
(3) CC 5V	Collegare l'adattatore di alimentazione a questa porta.
(4) Alloggiamento antifurto	Fissare un dispositivo di blocco di sicurezza compatibile Kensington o un dispositivo antifurto.

Pannello di controllo

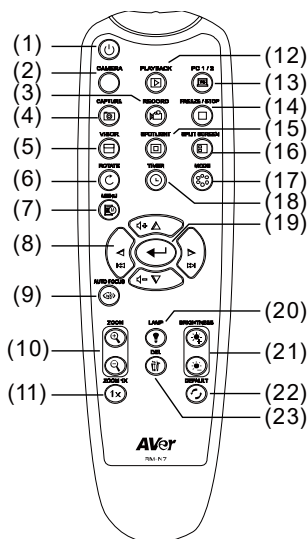


Nome	Funzione
(1) ALIMENTAZIONE	Accendere l'unità / metterla in modalità standby.
(2)	Diminuisce la luminosità.
(3)	<ul style="list-style-type: none"> - Eseguire una selezione in modalità Riproduzione e menu OSD. - Avvia/mette in pausa la riproduzione del video. - Regolare automaticamente la messa a fuoco.
(4)	Aumentare l'ingrandimento dell'immagine nelle modalità telecamera e riproduzione immagine.
(5) MENU	Apri ed esce dal menu e dal sottomenu OSD.
(6) BLOCCA/STOP	<ul style="list-style-type: none"> - Mettere in pausa o riprendere la visualizzazione dell'immagine in Modalità Telecamera. - Interrompere la riproduzione audio e video in modalità Riproduzione.
(7) LAMPADA	Accende/spegne la lampada della lavagna luminosa.
(8) TELECAMERA / PC	Spostare il segnale video fra la telecamera o il computer dalla porta INGRESSO VGA o HDMI.
(9) RIPRODUZIONE	Visualizza e riproduce le immagini fisse catturate e i file video.
(10) CAP/DEL	<ul style="list-style-type: none"> - Cattura l'immagine in modalità Telecamera. Nella modalità di cattura continua, premere nuovamente questo pulsante per interrompere. - Eliminare l'immagine/filmato selezionato in modalità Riproduzione.
(11) REGISTRAZIONE	Avvia/interrompe la registrazione audio e video. Le registrazioni Audio e video possono essere salvate solo su una scheda SD oppure su un drive flash USB. Cfr. Archiviazione di memoria esterna .

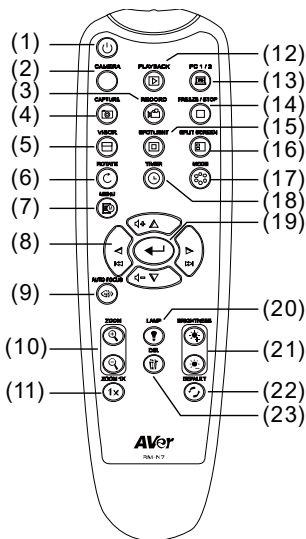
Nome	Funzione
(12) 	Aumenta la luminosità.
(13) 	Diminuisce l'ingrandimento dell'immagine nelle modalità di riproduzione immagine e telecamera.
(14) ▲, ▼, ◀, & ▶	<ul style="list-style-type: none"> - Fare una panoramica di un'immagine ingrandita (oltre il livello dello zoom digitale) nella modalità dal vivo - Selezionare le opzioni nel menu OSD. - Utilizzare ▲ & ▼ per aumentare e diminuire il volume della riproduzione del video. - Utilizzare ◀ & ▶ per riprodurre il video all'indietro e in avanti.
(15) MIC incorporato	Registra audio durante la registrazione di un video clip. Il suono registrato sarà in monofonico.

Telecomando

Il telecomando richiede due (2) batterie “AAA” (fornite in dotazione); si prega di verificare che le batterie siano state installate correttamente prima di cominciare a utilizzarle. Sarà possibile accedere a tutte le funzioni del dispositivo AVerVision M90UHD servendosi del telecomando.



Nome	Funzione
(1) ALIMENTAZIONE	Accendere / spegnere / mettere in standby l'unità
(2) TELECAMERA	La modalità telecamera visualizza il segnale video dalla telecamera integrata.
(3) REGISTRA	Avvia/interrompe la registrazione audio e video. La registrazione video può essere salvata solo su una scheda di memoria SD oppure su un drive flash USB.
(4) CATTURA	Cattura un'immagine fissa in modalità Telecamera. Nella modalità di cattura continua, premere nuovamente questo pulsante per interrompere.
(5) VISORE	Non supportato
(6) RUOTA	Ruotare l'immagine di 0/180° nella modalità Telecamera.
(7) MENU	Aprire ed uscire dal menu OSD.
(8) ▲, ▼, ◀, & ▶	<ul style="list-style-type: none"> - Fare una panoramica di un'immagine ingrandita (oltre il livello dello zoom digitale) nella modalità dal vivo - Selezionare le opzioni nel menu OSD. - Utilizzare ▲ & ▼ per aumentare e diminuire il volume della riproduzione del video. - Utilizzare ◀ & ▶ per riprodurre il video all'indietro e in avanti.
(9) MESSA A FUOCO AUTOMATICA	Regolare automaticamente la messa a fuoco.
(10) ZOOM +/-	Aumenta/diminuisce l'ingrandimento dell'immagine nelle modalità di riproduzione immagine e telecamera.
(11) ZOOM 1X	Riporta il livello di zoom al 100%.
(12) RIPRODUZIONE	Visualizzare l'immagine / il video catturati dalle immagini della memoria.
(13) PC 1/2	La modalità PC visualizza il segnale video della porta INGRESSO VGA/HDMI del dispositivo M90UHD.




Nome	Funzione
(14) FREEZE / STOP	- Fissa le immagini dal vivo. - Interrompe la riproduzione del video.
(15) SPOTLIGHT	Non supportato
(16) SPLIT SCREEN	Non supportato
(17) MODALITÀ	Premere per alternare fra Normale, Frame elevato, e Alta qualità, Microscopio, Infinito, o Modalità Macro.
(18) TIMER	Richiamare il sottomenu Timer. Selezionare per avviare/mettere in pausa/fermare il conto alla rovescia del timer.
	Selezionare l'intervallo del Timer per impostare la durata del timer.
(19)	- Eseguire una selezione in modalità Riproduzione e menu OSD. - Riprodurre/mettere in pausa la riproduzione video
(20) LAMPADA	Accende/spegne la lampada della lavagna luminosa.
(21) LUMINOSITÀ +/-	Regolare la luminosità.
(22) PREDEFINITO	Ripristinare l'impostazione predefinita di fabbrica.
(23) DEL	Eliminare l'immagine/filmato selezionato in modalità Riproduzione.

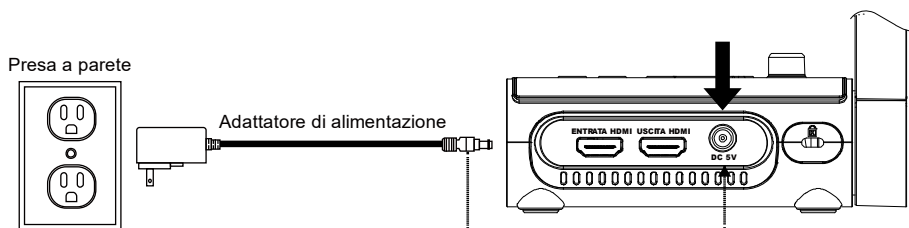
Eseguire i collegamenti

Prima di eseguire i collegamenti, verificare che nessuna unità sia alimentata. Qualora non si fosse certi di come eseguire i collegamenti sarà sufficiente attenersi alle immagini di seguito indicate. Se si sta eseguendo il collegamento a di AVerVision M90UHD consultare il relativo manuale.

Collegamento dell'alimentazione

Collegare l'alimentatore di corrente a una presa standard 100V~240V AC. L'unità passa in modo automatico in modalità standby non appena le viene fornita alimentazione. Premere

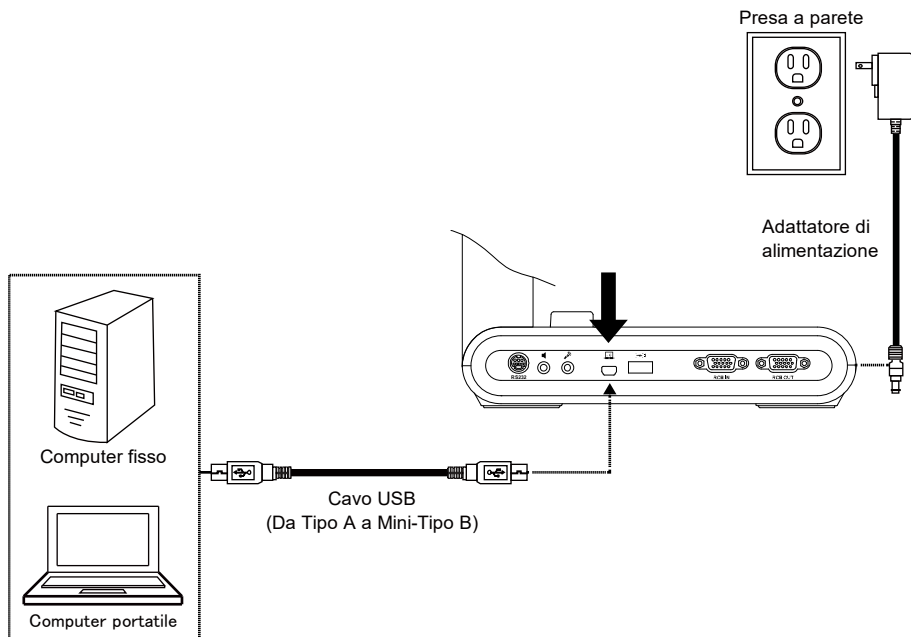
 per accendere.



* La presa a parete varia a seconda di determinate regioni.

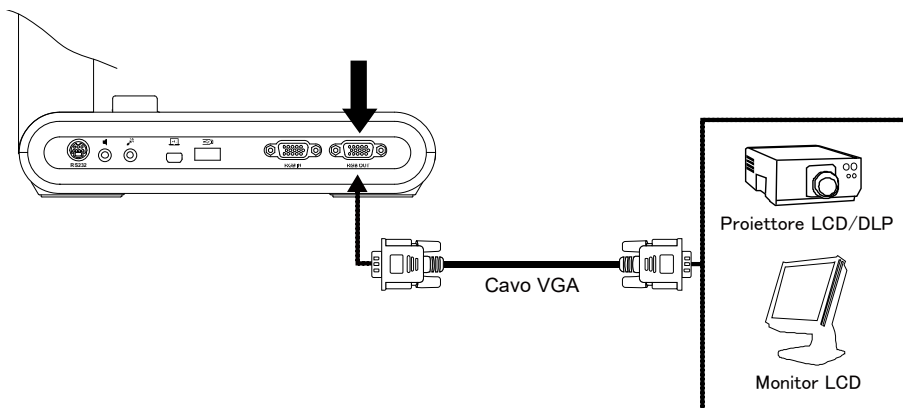
Collegamento a un Computer tramite USB

Localizzare la porta USB del computer o del laptop e collegarla alla porta PC di AVerVision M90UHD. Quindi, il proprio dispositivo M90UHD può essere usato come telecamera USB; sarà possibile selezionarlo come telecamera in fase di accensione a software quali ad esempio Skype, Teams e Zoom ecc.

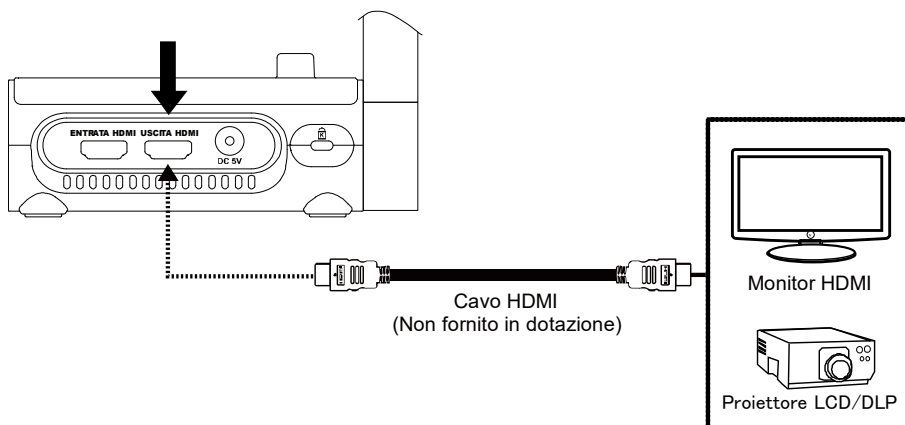


Collegamento a un Monitor o a un Proiettore LCD/DLP con uscita VGA/HDMI

Localizzare la porta di ingresso VGA/HDMI del dispositivo display e collegarlo alla porta di USCITA VGA/HDMI del dispositivo AVerVision M90UHD.



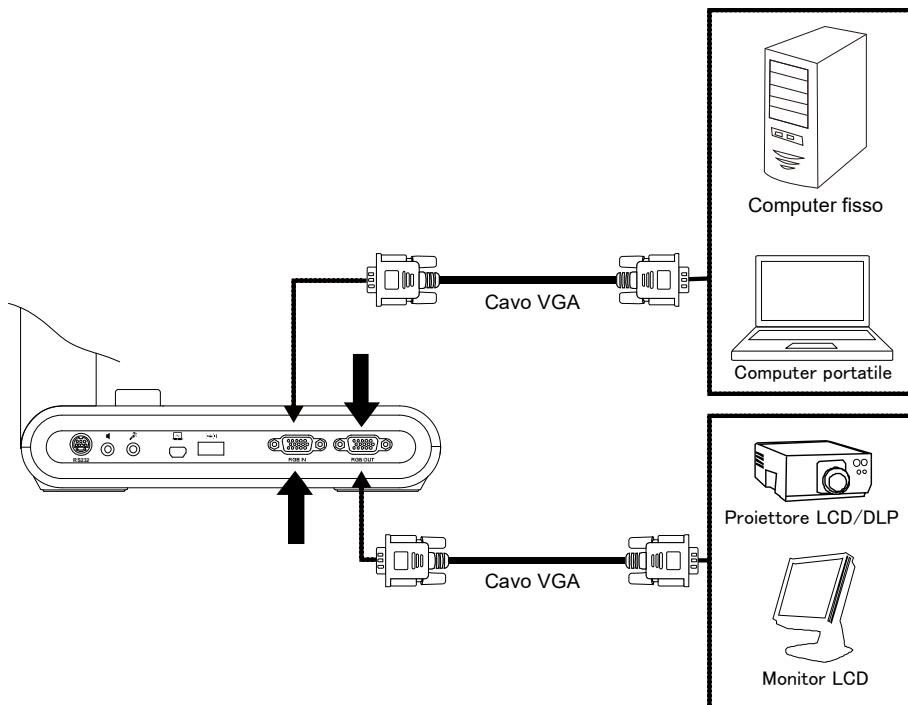
* Collegamento cavo VGA



* Collegamento cavo HDMI

Collegare a un computer con ingresso VGA/HDMI

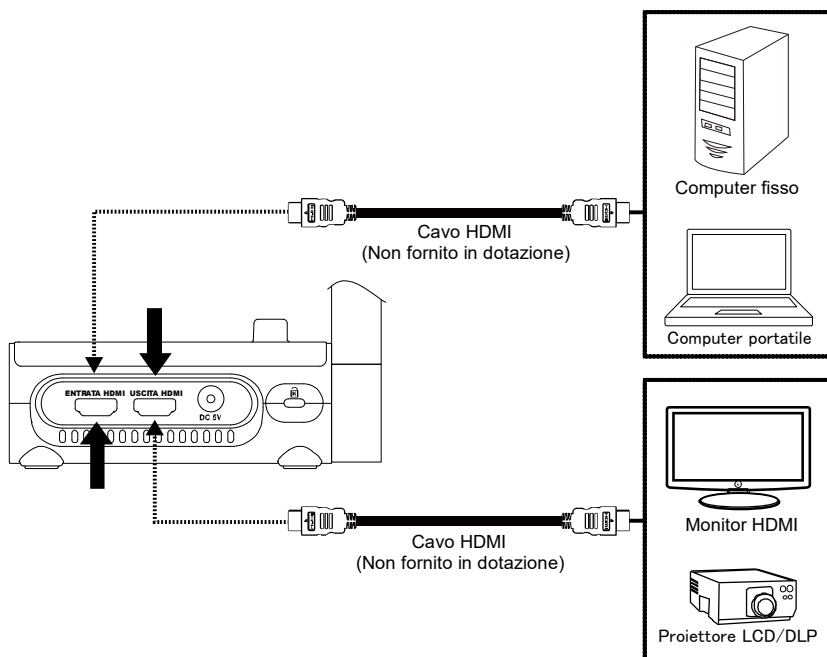
Localizzare la porta di ingresso VGA/HDMI del dispositivo display e collegarlo alla porta di USCITA VGA/HDMI del dispositivo AVerVision M90UHD.



Sull'altro lato, localizzare la porta di uscita VGA/HDMI del computer o del laptop e collegarla alla porta di ingresso VGA/HDMI del dispositivo AVerVision M90UHD. Il segnale video dalla porta di INGRESSO VGA/HDMI viene trasmesso in streaming all'uscita VGA/HDMI.

[Nota]

- Per visualizzare l'immagine del computer, premere il pulsante **Telecamera/PC** sul pannello di controllo o sul telecomando per portare il dispositivo AVerVision M90UHD in modalità computer.
- Per fare in modo che il computer portatile trasmetta un'immagine, utilizzare il comando da tastiera (FN+F5) per passare da una modalità di visualizzazione all'altra. Per un comando diverso rimandiamo al manuale del laptop.

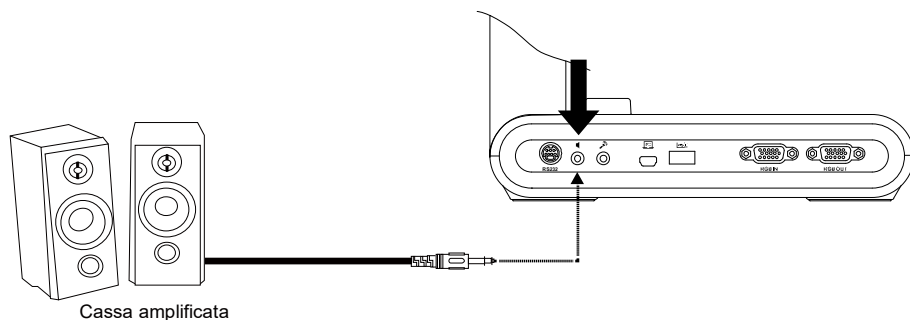


Collegare una cassa amplificata

Collegare una cassa amplificata da 3.5mm alla porta di Uscita di Linea (🔊). È supportato solo l'audio dalla riproduzione video.

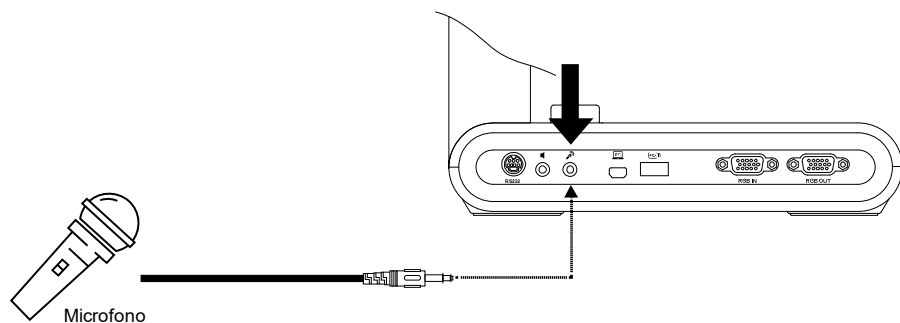
[Nota]

Consigliamo di collegare un altoparlante amplificato alla porta di uscita di linea. Prestare attenzione quando si usano le cuffie. Regolare il volume sul telecomando, abbassandolo, per evitare di danneggiare l'udito a causa di un livello di rumore troppo alto.




Collegare un microfono

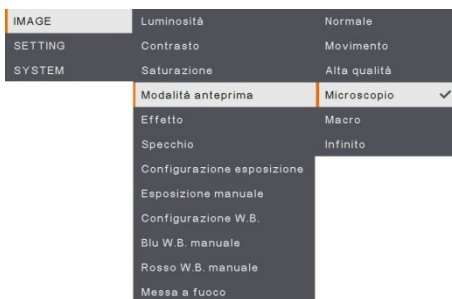
Collegare un microfono da 3.5mm alla porta di ingresso MIC (🎤).



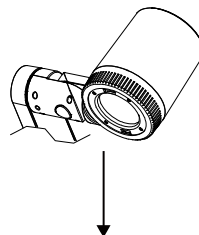
Collegamento a un microscopio

Collegare il dispositivo AVerVision M90UHD a un microscopio per esaminare oggetti microscopici sul grande schermo.

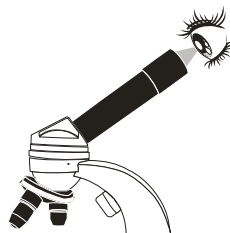
1. Impostare la modalità di visualizzazione immagine su Microscopio. Selezionare la scheda **IMMAGINE** > selezionare **Modalità anteprima** > selezionare **Microscopio** e premere .



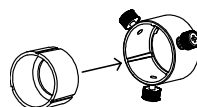
2. Puntare la testa della telecamera sul punto più lontano, quindi premere **AUTO FOCUS**.



3. Regolare la messa a fuoco del microscopio.



4. Selezionare l'accoppiatore in gomma delle dimensioni adeguate per l'oculare del microscopio e inserirlo nell'adattatore microscopio.



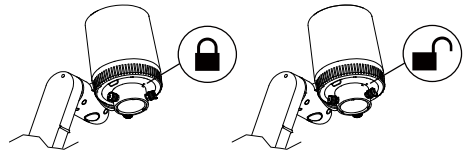
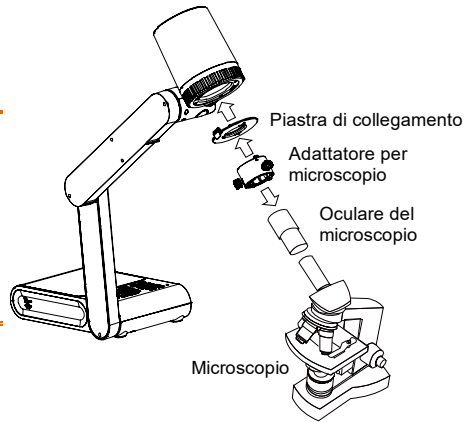
5. Togliere l'oculare del microscopio dal microscopio e collegarlo all'adattatore del microscopio con l'accoppiatore in gomma inserito. Serrare i 3 bulloni fino a che l'adattatore non fissa l'oculare.



- Sugeriamo di utilizzare un oculare da 33mm o superiore riposante per gli occhi.
- Eseguire la regolazione in modalità manuale per ottenere una migliore visualizzazione delle immagini.

6. Fissare l'adattatore del microscopio alla testa della telecamera AVerVision con una piastra di collegamento. Quindi, collegarla al microscopio AVerVision.

Verificare che le frecce sulla telecamera e sull'adattatore del microscopio siano allineate, ruotate verso sinistra e bloccate.

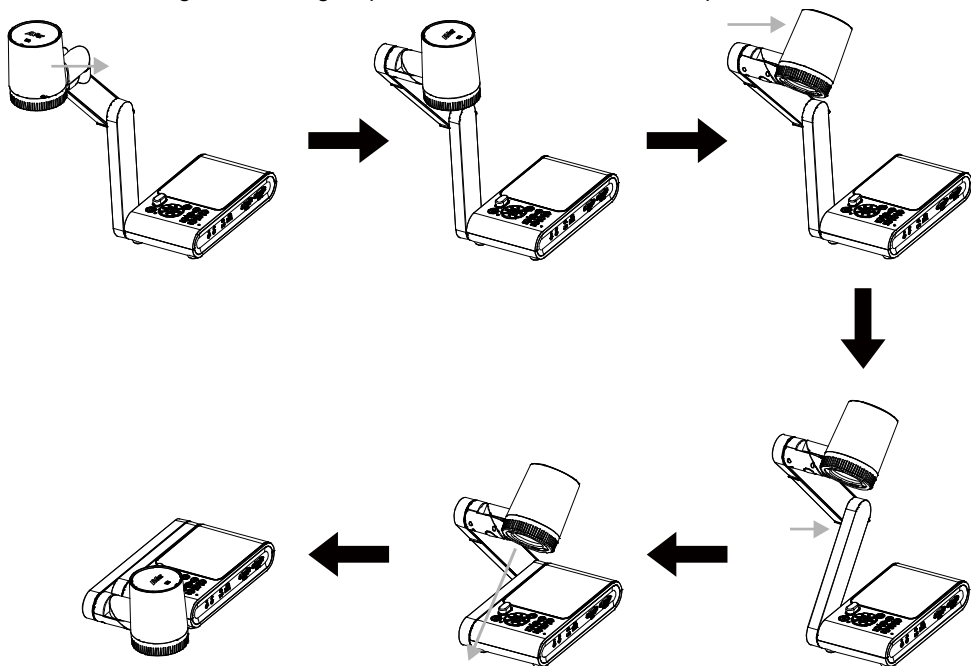


Configurazione del dispositivo AVerVision M90UHD

Questa sezione fornisce consigli utili su come regolare il dispositivo AVerVision M90UHD in modo tale che soddisfi le proprie esigenze.

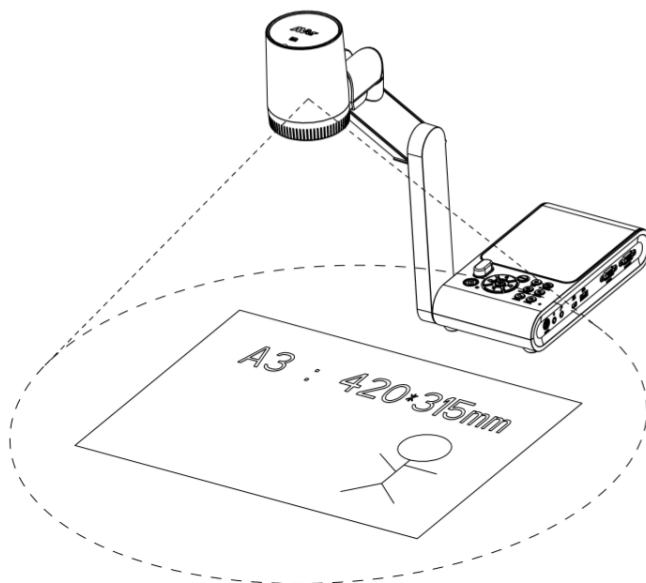
Conservazione della videocamera per documenti

Attenersi alla seguente immagine per conservare la videocamera per documenti.

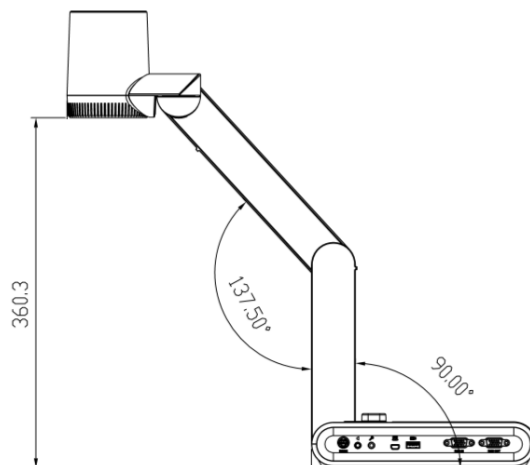


Area di ripresa

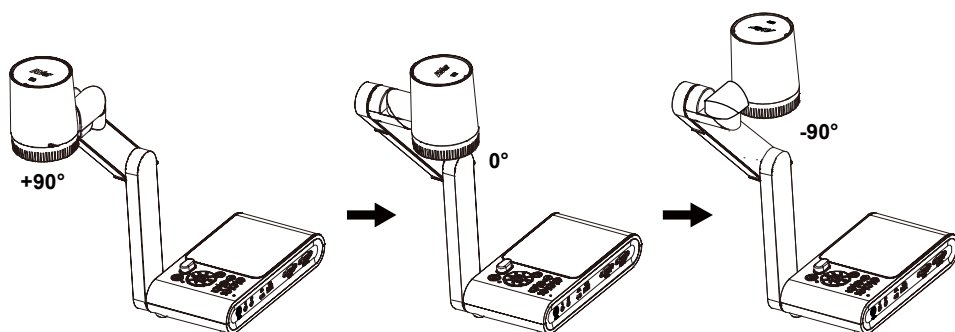
L'area di ripresa prevede un'area di 420 x 315mm nella modalità di anteprima ad alta definizione.



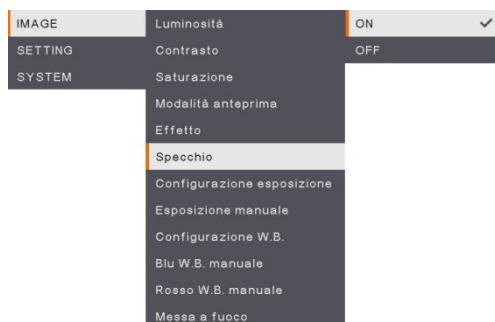
Quando la posizione della telecamera è alta 360.3mm, l'area di ripresa sarà in dimensione A3.



La testa della telecamera può essere ruotata di 90° come nella figura di seguito indicata.

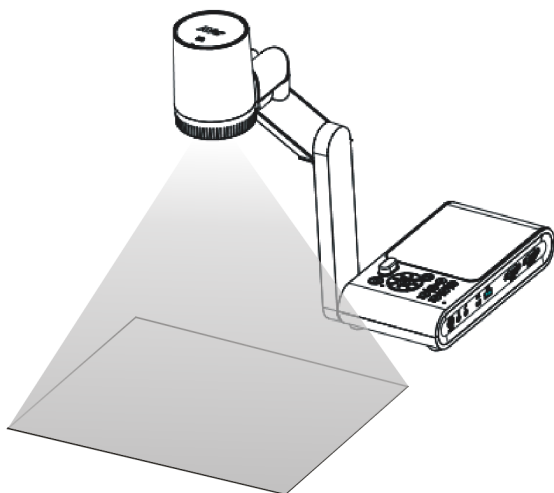
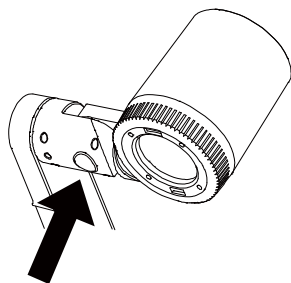


Per riflettere l'immagine, premere **MENU** > selezionare **Specchio**, premere \leftarrow , e selezionare "On".



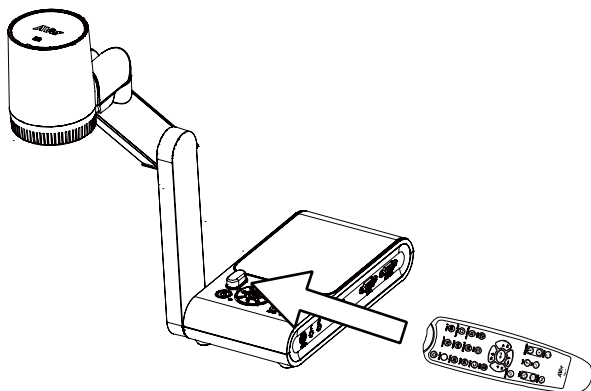
Luce proiettore

Premere il tasto LAMP sul pannello di controllo o sul telecomando per accendere e spegnere la luce.



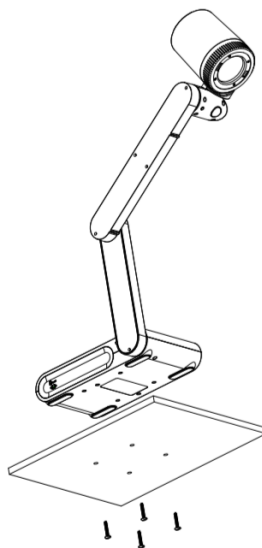
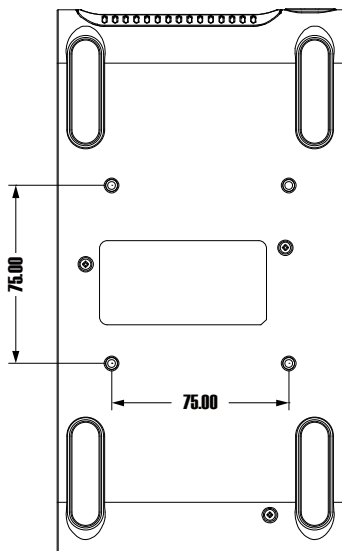
Sensore a infrarossi

Puntare il telecomando verso il sensore a infrarossi per azionare l'unità.



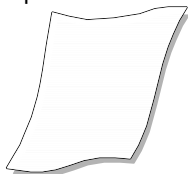
Installazione del dispositivo M90UHD su una superficie piatta

Misurare e contrassegnare in orizzontale 75 mm dalla linea di centro fra i fori sulla superficie piatta secondo quanto descritto nella seguente illustrazione. Servirsi di 2 o 4 viti M4.0 per i fori da 6 mm e fissare il dispositivo M90UHD sulla superficie in piano.



Foglio anti-riflesso

Il foglio anti-riflesso è una pellicola speciale rivestita che aiuta ad eliminare qualsiasi abbagliamento che si possa incontrare durante l'esposizione di oggetti molto lucidi o superfici lucide come riviste e immagini. Per l'utilizzo, è sufficiente posizionare il foglio anti-riflesso sopra il documento lucido per ridurre la luce riflessa.

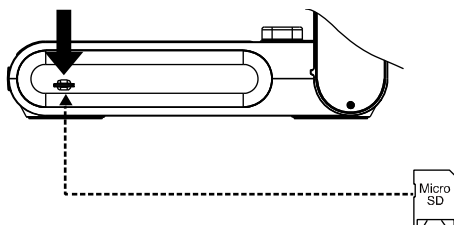


Supporto di memoria esterno

Il dispositivo AVerVision M90UHD supporta sia le schede di memoria Micro SD che i drive flash USB per offrire più spazio per catturare immagini ed eseguire registrazioni audio-video. Il dispositivo AVerVision M90UHD è in grado di rilevare se c'è un supporto di memoria esterna e di passare automaticamente all'ultimo supporto rilevato. Se non è collegato nessun dispositivo di memoria esterno, tutte le immagini fisse catturate saranno salvate nella memoria integrata.

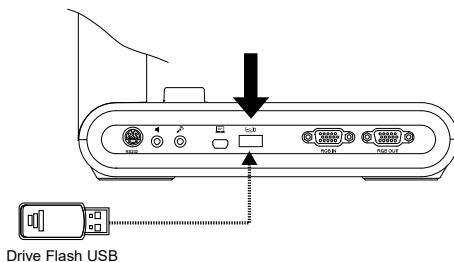
Inserire una scheda Micro SD

Inserire una scheda con i contatti rivolti verso il basso fino a che non giunge alla fine dell'alloggiamento. Per estrarre la scheda, premere per estrarla, quindi tirarla verso l'esterno. La capacità supportata della scheda Micro SD varia da 1GB a 32GB (FAT32).



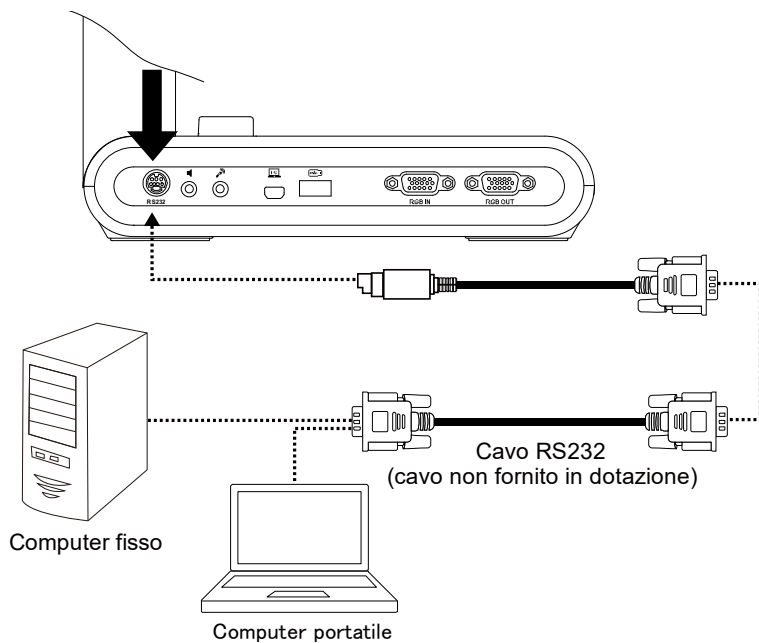
Inserimento di un drive flash USB

Collegare la chiavetta USB all'alloggiamento USB. Il dispositivo AVerVision M90UHD supporta drive flash USB fino a una capienza massima di 32GB. Consigliamo di formattare la chiavetta USB servendosi di AVerVision M90UHD per ottenere migliori risultati in fase di registrazione video.



Schema di collegamento RS232

Il dispositivo AVerVision M90UHD può essere controllato con un computer o un qualsiasi pannello di controllo centralizzato servendosi di un collegamento RS232.



RS-232 Invio tabella dei comandi

Formato di invio : 0x52 + 0x0B + 0x03 + Dati[0] + Dati[1] + Dati[2] + 0x53 + Checksum*1

Esito positivo - Formato di ricezione : 0x53 + 0x00 + 0x02+ *2 + 0x00 + 0x52 + Checksum *4

Anomalo - Formato di ricezione : 0x53 + 0x00 + 0x01+ *3 + 0x52 + Checksum *5

*1 : Checksum = 0x0B xoppure 0x03 xoppure Dati[0] xoppure Dati[1] xoppure Dati[2] xoppure 0x53

*2 : Ricezione dati ok : 0x0B, Nessun comando : 0x03

*3 : errore ID : 0x01, Errore Checksum: 0x02, Errore funzione = 0x04

*4 : Checksum = 0x00 xoppure 0x02 xoppure *2 xoppure 0x00 xoppure 0x52

*5 : Checksum = 0x00 xoppure 0x01 xoppure *3 xoppure 0x52

*6 : Modalità Standby Ricezione Dati = 0x51 + 0xFF + 0x01 + 0x0B + 0x51 + 0xA4

Modalità Accensione Ricezione Dati = Nessun ritorno dati

*7 : Modalità Standby Ricezione Dati = 0x51 + 0x00 + 0x01 + 0x0B + 0x51 + 0x5B

Modalità Accensione Ricezione Dati = 0x53 + 0x00 + 0x02 + 0x0B + 0x00 + 0x52 + 0x5B

Funzione	Dati[0]	Dati[1]	Dati[2]	Checksum
SPEGNIMENTO*6	0x01	0x00	0x00	0x5a
ACCENSIONE *7	0x01	0x01	0x00	0x5b
MODALITÀ TELECAMERA	0x02	0x00	0x00	0x59
MODALITÀ DI RIPRODUZIONE	0x03	0x00	0x00	0x58
PC 1/2	0x04	0x00	0x00	0x5f
TIPO DI CATTURA IMMAGINE SINGOLA	0x05	0x00	0x00	0x5e
TIPO DI CATTURA IMMAGINE CONTINUO	0x05	0x01	0x00	0x5f
CONT. INTERVALLO DI CATTURA +	0x06	0x00	0x00	0x5d
CONT. INTERVALLO DI CATTURA -	0x06	0x01	0x00	0x5c
RISOLUZIONE DI CATTURA IMMAGINE: NORMALE	0x07	0x00	0x00	0x5c
RISOLUZIONE DI CATTURA IMMAGINE: 13M	0x07	0x01	0x00	0x5d
AVVIO TIMER	0x08	0x00	0x00	0x53
PAUSA TIMER	0x08	0x01	0x00	0x52
STOP TIMER	0x08	0x02	0x00	0x51
TEMPO IMPOSTAZIONE TIMER	0x08	0x03	Valore [1 ~ 120]	*1
MODALITÀ ANTEPRIMA: MOVIMENTO	0x0A	0x02	0x00	0x53
MODALITÀ ANTEPRIMA: MICROSCOPIO	0x0A	0x03	0x00	0x52
MODALITÀ ANTEPRIMA: MACRO	0x0A	0x04	0x00	0x55

Funzione	Dati[0]	Dati[1]	Dati[2]	Checksum
MODALITÀ ANTEPRIMA: INFINITO	0x0A	0x05	0x00	0x54
MODALITÀ ANTEPRIMA: NORMALE	0x0A	0x06	0x00	0x57
MODALITÀ ANTEPRIMA: ALTA QUALITÀ	0x0A	0x07	0x00	0x56
ANTEPRIMA CATTURA	0x0B	0x00	0x00	0x50
RIPRODUZIONE ELIMINA	0x0C	0x00	0x00	0x57
RIPRODUZIONE SCHERMO INTERO	0x0D	0x00	0x00	0x56
SPECCHIO OFF	0x0E	0x00	0x00	0x55
SPECCHIO ON	0x0E	0x01	0x00	0x54
RUOTA OFF	0x0F	0x00	0x00	0x54
RUOTA ON	0x0F	0x02	0x00	0x56
EFFETTO: COLORE	0x10	0x00	0x00	0x4b
EFFETTO: B/W	0x10	0x01	0x00	0x4a
EFFETTO: NEGATIVO	0x10	0x02	0x00	0x49
AUMENTA CONTRASTO	0x11	0x00	0x00	0x4a
RIDUCI CONTRASTO	0x11	0x01	0x00	0x4b
VALORE CONTRASTO	0x11	0x02	Valore [1 ~ 255]	*1
AUMENTO LUMINOSITÀ	0x12	0x00	0x00	0x49
RIDUZIONE LUMINOSITÀ	0x12	0x01	0x00	0x48
VALORE LUMINOSITÀ	0x12	0x02	Valore [1 ~ 255]	*1
ESPOSIZIONE: AUTO	0x13	0x00	0x00	0x48
ESPOSIZIONE: MANUALE	0x13	0x01	0x00	0x49
AUMENTO MANUALE ESPOSIZIONE	0x14	0x00	0x00	0x4f
RIDUZIONE CALO MANUALE ESPOSIZIONE	0x14	0x01	0x00	0x4e
BILANCIAMENTO DEI BIANCHI: AUTO	0x15	0x00	0x00	0x4e
BILANCIAMENTO DEI BIANCHI: MANUALE	0x15	0x01	0x00	0x4f
BILANCIAMENTO DEI BIANCHI AUMENTO BLU	0x16	0x00	0x00	0x4d
BILANCIAMENTO DEI BIANCHI RIDUZIONE BLU	0x16	0x01	0x00	0x4c
BILANCIAMENTO DEI BIANCHI AUMENTO ROSSO	0x17	0x00	0x00	0x4c
BILANCIAMENTO DEI BIANCHI RIDUZIONE ROSSO	0x17	0x01	0x00	0x4d
SFARFALLIO: 50Hz	0x18	0x00	0x00	0x43

Funzione	Dati[0]	Dati[1]	Dati[2]	Checksum
SFARFALLIO: 60Hz	0x18	0x01	0x00	0x42
REGISTRA: OFF	0x23	0x00	0x00	0x78
REGISTRA: ON	0x23	0x01	0x00	0x79
FILMATO RIAVVOLGIMENTO RAPIDO	0x25	0x00	0x00	0x7e
FILMATO AVANZAMENTO RAPIDO	0x25	0x01	0x00	0x7f
FILMATO AUMENTO VOLUME	0x26	0x00	0x00	0x7d
FILMATO RIDUZIONE VOLUME	0x26	0x01	0x00	0x7c
ARCHIVIAZIONE: INTEGRATO	0x28	0x00	0x00	0x73
ARCHIVIAZIONE: SCHEDA SD	0x28	0x01	0x00	0x72
ARCHIVIAZIONE: CHIAVETTA	0x28	0x02	0x00	0x71
FORMATO: INTEGRATO	0x29	0x00	0x00	0x72
FORMATO: SCHEDA SD	0x29	0x01	0x00	0x73
FORMATO: CHIAVETTA	0x29	0x02	0x00	0x70
RISOLUZIONE DI USCITA: 1024x768	0x2F	0x01	0x00	0x75
RISOLUZIONE DI USCITA: 1280x720	0x2F	0x02	0x00	0x76
RISOLUZIONE DI USCITA: 1920x1080	0x2F	0x03	0x00	0x77
RISOLUZIONE DI USCITA: 3840x2160@30	0x2F	0x08	0x00	0x7c
RISOLUZIONE DI USCITA: 3840x2160@60	0x2F	0x09	0x00	0x7d
CONNESSIONE USB: TELECAMERA USB	0x30	0x00	0x00	0x6b
CONNESSIONE USB: ARCHIVIAZIONE DI MASSA	0x30	0x01	0x00	0x6a
BACKUP SULLA SCHEDA SD	0x31	0x00	0x00	0x6a
BACKUP SULLA CHIAVETTA	0x31	0x01	0x00	0x6b
PROFILO SALVATAGGIO: PROFILO 1	0x32	0x00	0x00	0x69
PROFILO SALVATAGGIO: PROFILO 2	0x32	0x01	0x00	0x68
PROFILO SALVATAGGIO: PROFILO 3	0x32	0x02	0x00	0x6b
PROFILO RICHIAMA: PROFILO 1	0x33	0x00	0x00	0x68
PROFILO RICHIAMA: PROFILO 2	0x33	0x01	0x00	0x69
PROFILO RICHIAMA: PROFILO 3	0x33	0x02	0x00	0x6a
PRESENTAZIONE: OFF	0x34	0x00	0x00	0x6f
PRESENTAZIONE: ON	0x34	0x01	0x00	0x6e

Funzione	Dati[0]	Dati[1]	Dati[2]	Checksum
QUALITÀ DI CATTURA: NORMALE	0x37	0x00	0x00	0x6c
QUALITÀ DI CATTURA: ALTO	0x37	0x01	0x00	0x6d
QUALITÀ DI CATTURA: PIÙ FINE	0x37	0x02	0x00	0x6e
MESSA A FUOCO AUTOMATICA	0x40	0x00	0x00	0x1b
MENU	0x41	0x00	0x00	0x1a
FRECCIA - GIÙ	0x42	0x00	0x00	0x19
FRECCIA - SU	0x42	0x01	0x00	0x18
FRECCIA - SINISTRA	0x42	0x02	0x00	0x1b
FRECCIA - DESTRA	0x42	0x03	0x00	0x1a
INVIO	0x43	0x00	0x00	0x18
BLOCCA/STOP	0x44	0x00	0x00	0x1f
PREDEFINITO	0x45	0x00	0x00	0x1e
ZOOM -	0x46	0x00	0x00	0x1d
ZOOM +	0x46	0x01	0x00	0x1c
ZOOM RESET	0x47	0x00	0x00	0x1c
METTI A FUOCO DA VICINO	0x48	0x00	0x00	0x13
METTI A FUOCO DA LONTANO	0x48	0x01	0x00	0x12
LAMPADA OFF	0x49	0x00	0x00	0x12
LAMPADA ON	0x49	0x01	0x00	0x13
AUMENTO SATURAZIONE	0x4B	0x00	0x00	0x10
RIDUZIONE SATURAZIONE	0x4B	0x01	0x00	0x11
VALORE SATURAZIONE	0x4B	0x02	Valore [1 ~ 255] *1	
DISATTIVA AUDIO OFF	0x4C	0x00	0x00	0x17
DISATTIVA AUDIO ON	0x4C	0x01	0x00	0x16

RS-232 Ottieni tabella dei comandi

Formato di invio : 0x52 + 0x0A + 0x01 + Dati[0] + 0x53 + Checksum

Formato di ricezione : 0x53 + 0x0C + 0x01 + ReDati[0] + 0x52 + ReChecksum*1

*1 : ReChecksum = 0x0C xoppure 0x01 xoppure ReDati[0] xoppure 0x52

*2 : Stato di Alimentazione Ricezione Dati = 0x51 + 0xFF + 0x01 + 0x0A + 0x51 + 0xA5

Funzione	Dati[0]	Checksum	ReData[0]
Valore rosso	0x02	0x5A	Valore [0 ~ 255]
Valore blu	0x03	0x5B	Valore [0 ~ 255]
Stato di alimentazione	0x04	0x5C	OFF [*2]
			1: ON
Stato lampada	0x05	0x5D	0: OFF 1: ON
Stato Display	0x06	0x5E	0: Modalità telecamera
			1: Modalità di riproduzione
			2: PC-1 Pass Through
Stato di blocco	0x08	0x50	0: OFF 1: ON
Valore luminosità	0x0A	0x52	Valore [1 ~ 64]
Valore contrasto	0x0B	0x53	Valore [1 ~ 32]
Valore saturazione	0x0D	0x55	Valore [1 ~ 32]

MENU OSD

Ci sono 3 opzioni principali nel menu OSD: **IMMAGINE**, **IMPOSTAZIONE** e **SISTEMA**.

IMAGE	Luminosità
SETTING	Contrasto
SYSTEM	Saturazione
	Modalità anteprima
	Effetto
	Specchio
	Configurazione esposizione
	Esposizione manuale
	Configurazione W.B.
	Blu W.B. manuale
	Rosso W.B. manuale
	Messa a fuoco

IMMAGINE

IMAGE	Risoluzione di cattura
SETTING	Qualità di cattura
SYSTEM	Tipo di cattura
	Intervallo di cattura
	Archiviazione
	Formatta
	Da USB a PC
	Volume del microfono
	Timer
	Intervallo timer

IMPOSTAZIONE

IMAGE	Lingua
SETTING	Display di uscita
SYSTEM	Backup
	Salva impostazioni
	Richiama impostazioni
	Sfarfalio
	Informazioni
	Valore predefinito

SISTEMA

Spostarsi nel Menu e nel Sottomenu

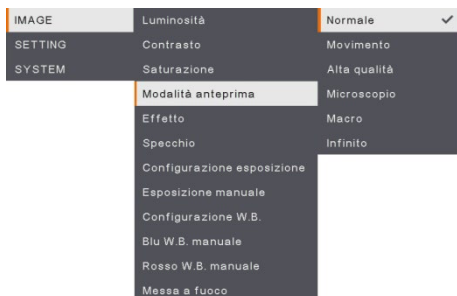
1. Premere il pulsante **MENU** sul telecomando o sul pannello di controllo.
2. Premere ►, ◀, ▲ e ▼ per scegliere una selezione nell'elenco dei menu.
3. Premere (◀) per effettuare una selezione.
4. Usare ▲ e ▼ per regolare l'impostazione o per effettuare una selezione.
5. Premere (◀) per accedere al sottomenu.

Immagine

Menu Screen			Funzione
IMAGE	Luminosità	+	Luminosità Regolare il livello di luminosità manualmente fra 0 e 255.
SETTING	Contrasto	125	
SYSTEM	Saturazione	-	
	Modalità anteprima		
	Effetto		
	Specchio		
	Configurazione esposizione		
	Esposizione manuale		
	Configurazione W.B.		
	Blu W.B. manuale		
	Rosso W.B. manuale		
	Messa a fuoco		
IMAGE	Luminosità	+	Contrasto Regolare il livello di contrasto manualmente fra 0 e 255 in ambienti particolarmente luminosi o bui.
SETTING	Contrasto	128	
SYSTEM	Saturazione	-	
	Modalità anteprima		
	Effetto		
	Specchio		
	Configurazione esposizione		
	Esposizione manuale		
	Configurazione W.B.		
	Blu W.B. manuale		
	Rosso W.B. manuale		
	Messa a fuoco		
IMAGE	Luminosità	+	Saturazione Regolare manualmente il livello di saturazione su un livello compreso fra 0 e 255.
SETTING	Contrasto	128	
SYSTEM	Saturazione	-	
	Modalità anteprima		
	Effetto		
	Specchio		
	Configurazione esposizione		
	Esposizione manuale		
	Configurazione W.B.		
	Blu W.B. manuale		
	Rosso W.B. manuale		
	Messa a fuoco		

Menu Screen

Funzione



Modalità anteprima

Selezionare fra le diverse impostazioni di visualizzazione dell'immagine.

Normale - regolare il gradiente dell'immagine.

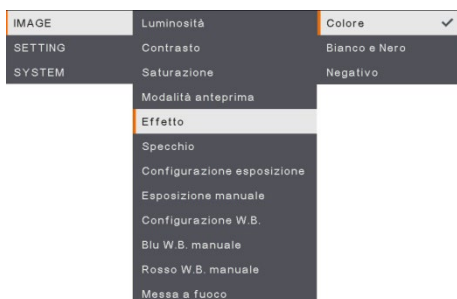
Movimento - alta velocità di aggiornamento su un'immagine in movimento.

Alta qualità - alta risoluzione con la migliore qualità.

Microscopio - regolare automaticamente lo zoom ottico per la visualizzazione microscopica.

Macro - usare per un'immagine più da vicino.

Infinito - usare per un'immagine più lontana.



Effetto

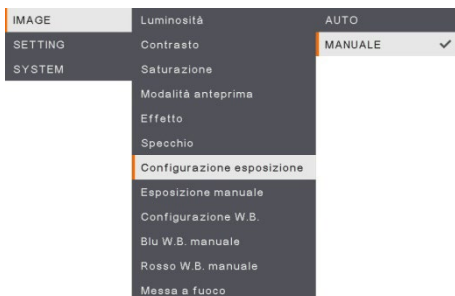
Converte l'immagine in positivo (true color), monocromo (bianco e nero) o negativo.



Specchio

Selezionare per girare a sinistra e a destra dell'immagine.

Menu Screen

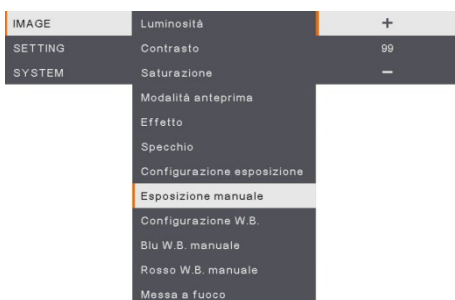


Funzione

Configurazione dell'esposizione

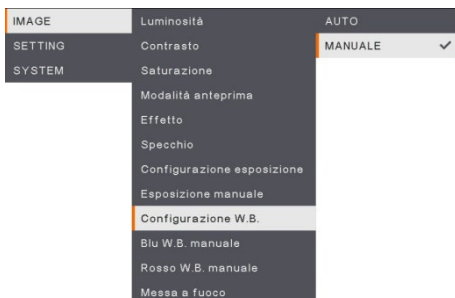
Selezionare AUTO per regolare in modo automatico il bilanciamento dei bianchi e le impostazioni di esposizione; corregge inoltre il colore e la compensazione di esposizione.

Selezionare MANUALE per attivare le impostazioni avanzate per esposizione manuale e WB.



Esposizione manuale

MANUALE - regolazione manuale del livello dell'esposizione. L'esposizione può essere regolata su un valore compreso fra 0 e 99.



Bilanciamento dei bianchi Configurazione

Configura le impostazioni di bilanciamento dei bianchi per diverse condizioni di luminosità o temperatura del colore.

AUTO – regola in modo automatico il bilanciamento dei bianchi.

MANUALE - regolazione manuale del livello del colore. Selezionare Manuale per abilitare la configurazione WB avanzata.

Menu Screen

Funzione

IMAGE	Luminosità	+
SETTING	Contrasto	112
SYSTEM	Saturazione	-
	Modalità anteprima	
	Effetto	
	Specchio	
	Configurazione esposizione	
	Esposizione manuale	
	Configurazione W.B.	
	Blu W.B. manuale	
	Rosso W.B. manuale	
	Messa a fuoco	

Manuale WB Blu

Regola manualmente il livello del colore blu. È possibile regolare il livello di colore fino a un valore Massimo di 255.

IMAGE	Luminosità	+
SETTING	Contrasto	113
SYSTEM	Saturazione	-
	Modalità anteprima	
	Effetto	
	Specchio	
	Configurazione esposizione	
	Esposizione manuale	
	Configurazione W.B.	
	Blu W.B. manuale	
	Rosso W.B. manuale	
	Messa a fuoco	

Manuale WB Rosso

Regola manualmente il livello del colore rosso. È possibile regolare il livello di colore fino a un valore Massimo di 255.

IMAGE	Luminosità	+
SETTING	Contrasto	101
SYSTEM	Saturazione	-
	Modalità anteprima	
	Effetto	
	Specchio	
	Configurazione esposizione	
	Esposizione manuale	
	Configurazione W.B.	
	Blu W.B. manuale	
	Rosso W.B. manuale	
	Messa a fuoco	

Messa a fuoco

Regolazione di precisione, manuale, dell'immagine.

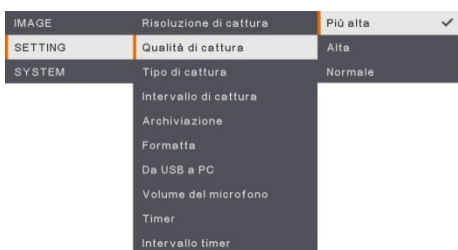
Impostazione

Menu Screen	Funzione
-------------	----------



Risoluzione di Cattura

Seleziona le dimensioni di cattura. Nell'impostazione **13M**, le dimensioni della risoluzione di cattura sono 4208 x 3120. Selezionare **Normale**, le dimensioni di cattura sono basate sulle impostazioni della risoluzione.



Qualità di cattura

Selezionare le impostazioni di compressione di cattura. Selezionare la **Più fine** per trarre la miglior compressione in fase di cattura.



Tipo di cattura

Selezionare il tipo di cattura.

Single - cattura solo un'immagine.

Continuous (Continua) - catturare immagini successive e premere qualsiasi tasto per interrompere la cattura continua. Selezionare **Continua** per attivare l'impostazione **Intervallo di cattura**.



Intervallo di cattura

Imposta l'intervallo di tempo per la cattura continua. La lunghezza può essere impostata fino a 600 secondi (10 minuti).

Menu Screen

Funzione



Archiviazione

Modificare la posizione di salvataggio. La registrazione Audio & video può essere salvata solo nella memoria integrata - scheda SD o drive USB.



Formato

Formattare per eliminare tutti i dati dalla memoria selezionata.



Da USB a PC

Selezionare lo stato del dispositivo AVerVision M90UHD quando è connesso al computer tramite cavo USB.

Fotocamera - può essere usato come webcam da computer oppure con il nostro pacchetto software per registrare video e catturare immagini fisse.

Archiviazione - trasferimento di immagini/video catturati dalla memoria al disco rigido del computer.

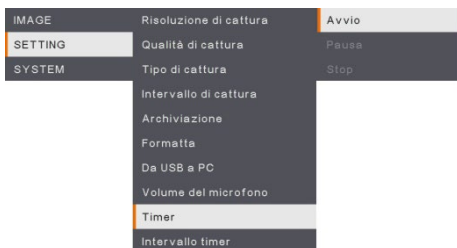


Volume del microfono

Regolare l'ingresso del volume di registrazione oppure l'ingresso audio USB.

Menu Screen

Funzione



Avvia timer

Avviare il timer. Il timer conta automaticamente il tempo trascorso dopo che il conto alla rovescia raggiunge lo zero per mostrare il tempo trascorso.



Metti in pausa/Stop Timer

Premere il pulsante menu durante la funzione timer per mettere in pausa o fermare il conto alla rovescia.



Intervallo Timer

Impostare la durata del timer fino a 2 ore.

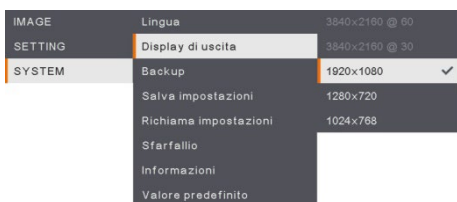
Sistema

Menu Screen Funzione



Lingua

Modificare e selezionare una lingua diversa. M90UHD supporta fino a 12 lingue.



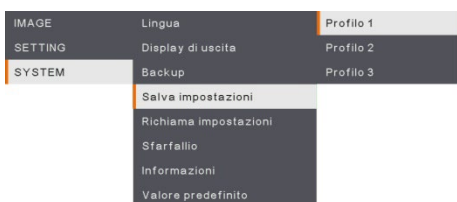
Display di uscita

Impostare la risoluzione con cui visualizzare l'immagine a video. La risoluzione del dispositivo di uscita viene rilevata automaticamente e configurata alla massima risoluzione.



Backup

Copiare l'immagine dalla memoria incorporata alla scheda SD o alla chiavetta USB.

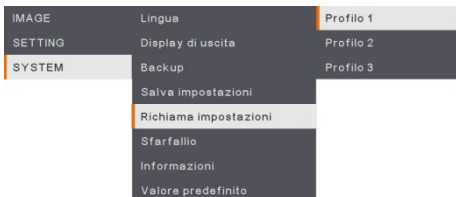


Salva impostazioni

Salvare le impostazioni attuali (luminosità, contrasto, saturazione, modalità di anteprima e così via) nel numero di profilo selezionato.

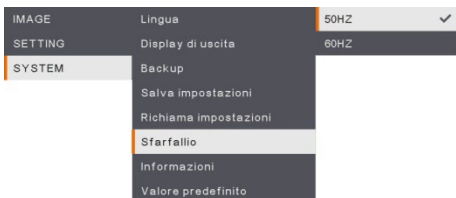
Menu Screen

Funzione



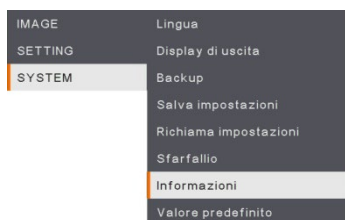
Richiama impostazioni

Riporta le impostazioni a quelle associate al numero di profilo selezionato.



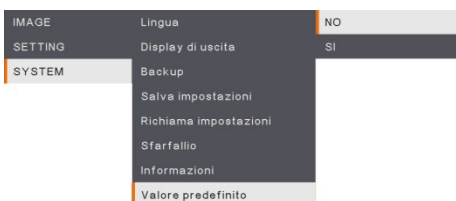
Sfarfallio

Selezionare fra 50Hz or 60Hz. Alcuni dispositivi display non sono in grado di supportare frequenze di aggiornamento elevate. L'immagine ondulerà un paio di volte mentre l'uscita viene impostata su un'altra frequenza di aggiornamento.



Informazioni

Visualizza le informazioni sul prodotto.



Valore predefinito

Riporta tutte le impostazioni alla configurazione originale di fabbrica. Tutte le configurazioni di salvataggio saranno cancellate.

Riproduzione

Sarà possibile utilizzare la funzione di riproduzione per configurare le immagini o i video salvati.

Menu Screen		Funzione
	Presentazione	Presentazione Avviare o interrompere la presentazione.
	Intervallo	Intervallo Impostare l'intervallo tra la riproduzione di immagini o video.
	Archiviazione	Archiviazione Scegliere le immagini o i video da Archiviazione, inclusi quelli integrati, Scheda SD o Drive USB.
	Elimina tutto	Elimina tutto Selezionare questa opzione per eliminare tutte le immagini o i video salvati.

Trasferimento delle immagini/video catturati su un computer

Ciò consente di trasferire l'immagine catturata dalla memoria incorporata, dalla SD o dall'unità USB ad un computer.

Due modi per salvare immagini/video:

- a. Memoria integrata+scheda SD
- b. Memoria integrata+drive USB



Le istruzioni riportate di seguito **DEVONO** essere lette e seguite **PRIMA** di collegare il cavo USB.

1. USB **DOVRÀ** essere impostato su PC come ARCHIVIAZIONE prima di collegare il cavo USB.



2. Quando compare “**Archiviazione di massa**” nell’angolo inferiore destro della schermata di presentazione sarà possibile collegare il cavo USB.
3. Dopo aver collegato il cavo USB, il sistema rileva in modo automatico il nuovo disco rimovibile. Sarà possibile trasferire l’(le) immagine(immagini) catturata(i) oppure i video dalla **M90UHD, dalla scheda SD o dal drive USB** al disco rigido del computer.

Specifiche tecniche

Immagine

Sensore	1/3.06" CMOS
Conteggio pixel	13 megapixel
Frame Rate	60 fps (max.)
Bilanciamento dei bianchi	Auto/Manuale
Esposizione	Auto/Manuale
Modalità immagine	Normale, Movimento, Alta Qualità, Microscopio, Macro, Infinito
Effetto	Colore/B/W/Negativo
uscita RGB	1280×720, 1024×768, 1080P
Uscita HDMI	4K, 1080p, 720p
Cattura immagine	200 Frame

Ottica

Messa a fuoco	Auto/Manuale
Area di ripresa	420 x 315mm
Ingrandimento	Zoom totale zoom da 322x (zoom ottico 14x + zoom digitale 23x)

Alimentazione

Fonte di alimentazione	CC 5V/3A, CA 100-240V, 50-60Hz
Consumo	10 Watt (lampada accesa); 9 Watt (lampada spenta)

Illuminazione

Tipo di lampada	Spia LED
-----------------	----------

Ingresso / Uscita

Ingresso HDMI	Sì (HDMI, pass through)
Uscita HDMI	Sì (HDMI, pass through)
Ingresso VGA	Sì (15-pin D-sub, pass through)
Uscita VGA	Sì (15-pin D-sub, pass through)
Porta USB-A	1 (Tipo A per drive USB)
Porta USB-B	1 presa Mini-B
Microfono	Integrato
Alloggiamento Scheda SD	1 (scheda micro SD, 32GB)
Uscita linea	Presa fono
Microfono	Ingresso MIC
Ingresso 5V CC	Jack di alimentazione
Blocco Kensington	Sì
*RS 232 (Opzionale)	Jack Mini-DIN (Usare un cavo adattatore RS 232_opzionale)

Dimensioni

Funzionamento	481,3mm(lunghezza) x 159mm(larghezza) x 469,9mm(altezza)
Chiuso	319,0mm(lunghezza) x 176mm(larghezza) x 112mm(altezza)
Peso:	2.2 +/-0.5Kg

Dispositivo di stoccaggio esterno

Scheda Micro SD	Max 32GB (FAT32)
Drive Flash USB	Max 32GB (FAT32)

*si prega di notare che questa specifica dipende da un certo ordine.

Guida alla risoluzione dei problemi

Questa sezione fornisce molti consigli utili su come risolvere i problemi comuni durante l'utilizzo di AVerVision M90UHD.

Non c'è alcuna immagine sullo schermo di presentazione.

1. Controllare di nuovo tutti i connettori come indicato in questo manuale.
2. Verificare l'impostazione del dispositivo di uscita del display.
3. Se si presenta da un notebook o da un computer attraverso il dispositivo di uscita del display, controllare il collegamento del cavo dall'uscita RGB del computer (VGA) all'ingresso RGB del dispositivo AVerVision M90UHD e assicurarsi che il dispositivo AVerVision M90UHD sia in modalità PC.
4. Per l'uscita su schermo HDMI si verifica un ritardo mentre il dispositivo display e il dispositivo M90UHD si sincronizzano. Attendere circa 4-7 secondi per vedere l'immagine della telecamera sullo schermo.

L'immagine sullo schermo di presentazione è distorta o l'immagine è sfocata.

1. Ripristina tutte le impostazioni modificate allo stato di default stabilito dal produttore. Premere il pulsante DEFAULT sul telecomando oppure selezionare Default sul tab Base nel menu OSD.
2. Utilizzare le funzioni del menu Luminosità (Brightness) e Contrasto (Contrast) per ridurre la distorsione, se applicabile.
3. Se si scopre che l'immagine è sfocata o fuori fuoco, premere il tasto Auto Focus sul pannello di controllo o sul telecomando.

Non c'è alcun segnale del computer sullo schermo di presentazione.

1. Controllare tutti i collegamenti dei cavi tra il dispositivo di visualizzazione, AVerVision M90UHD e il vostro PC.
2. Collegare il PC all'AVerVision M90UHD prima di accendere il computer.
3. Per i computer portatili, premere ripetutamente la combinazione di tasti FN+F5 per passare in rassegna le diverse modalità di visualizzazione e visualizzare l'immagine del computer sullo schermo della presentazione. Per un comando diverso rimandiamo al manuale del laptop.

La schermata di presentazione non mostra l'esatta immagine del desktop sul mio PC o Notebook dopo che sono passato dalla modalità Videocamera camera al PC.

1. Ritornare al PC o al Notebook, posizionare il mouse sul desktop e cliccare con il tasto destro del mouse, scegliere "Proprietà", scegliere la scheda "Impostazione", cliccare sul monitor "2" e selezionare la casella "Estendi il mio desktop di Windows su questo monitor".
2. Poi tornare ancora una volta al PC o al Notebook e posizionare il mouse sul desktop, quindi cliccare di nuovo con il tasto destro del mouse.
3. Questa volta scegliere "Opzioni di grafica", e poi "Uscita su", poi "Intel® Dual Display Clone", quindi scegliere "Monitor + Notebook".
4. Dopo aver seguito questi passaggi, dovrete essere in grado di vedere la stessa immagine del desktop sul vostro PC o Notebook così come sullo schermo di presentazione

AVerVision M90UHD non riesce a rilevare la chiavetta USB inserita.

Assicurarsi che la chiavetta USB sia inserita correttamente e nel formato corretto. È supportato solo il formato FAT32.

Garanzia limitata

Per un periodo di tempo che inizia dalla data di acquisto del prodotto in questione e si estende come indicato nella sezione **"Periodo di garanzia del prodotto AVer acquistato"** della scheda di garanzia, AVer Information, Inc. ("AVer") garantisce che il prodotto applicabile ("Prodotto") è sostanzialmente conforme alla documentazione AVer relativa al prodotto e che la sua fabbricazione e i suoi componenti sono esenti da difetti di materiale e di lavorazione in condizioni di normale utilizzo. Per "Utente", come utilizzato nel presente contratto, si intende il singolo individuo o l'entità commerciale per conto della quale si utilizza o si installa il prodotto, a seconda dei casi. Questa garanzia limitata si estende solo all'Utente come acquirente originale. Ad eccezione di quanto sopra, il Prodotto viene fornito "COSÌ NELLE CONDIZIONI IN CUI È". In nessun caso AVer garantisce che l'Utente sarà in grado di utilizzare il Prodotto senza problemi o interruzioni, o che il Prodotto è adatto ai suoi scopi. Il rimedio esclusivo dell'utente e l'intera responsabilità di AVer ai sensi del presente paragrafo sarà, a discrezione di AVer, la riparazione o la sostituzione del Prodotto con lo stesso o un prodotto comparabile. Questa garanzia non si applica (a) a qualsiasi Prodotto il cui numero di serie sia stato deturpato, modificato o rimosso, o (b) ai cartoni, alle casse, alle batterie, agli armadietti, ai nastri o agli accessori utilizzati con questo prodotto. La presente garanzia non si applica ad alcun Prodotto che abbia subito danni, deterioramento o malfunzionamento a causa di (a) incidente, abuso, uso improprio, negligenza, incendio, acqua, fulmini o altri atti di natura, uso commerciale o industriale, modifica non autorizzata del prodotto o mancata osservanza delle istruzioni incluse nel Prodotto, (b) errata applicazione del servizio da parte di qualcuno che non sia il rappresentante del produttore, (c) eventuali danni di spedizione (tali reclami devono essere fatti al vettore), o (d) qualsiasi altra causa che non sia legata ad un difetto del Prodotto. Il Periodo di Garanzia di qualsiasi Prodotto riparato o sostituito sarà il più lungo tra (a) il Periodo di Garanzia originale o (b) trenta (30) giorni dalla data di consegna del prodotto riparato o sostituito.

Limitazioni di garanzia

AVer non fornisce alcuna garanzia a terzi. L'utente è responsabile di tutti i reclami, i danni, le transazioni, le spese e gli onorari degli avvocati in relazione ai reclami presentati contro di lui in seguito all'uso o all'abuso del Prodotto da parte sua. La presente garanzia è valida unicamente se il Prodotto viene installato, utilizzato, sottoposto a manutenzione e utilizzato in conformità alle specifiche AVer. In particolare, le garanzie non si estendono a guasti causati da (i) incidenti, stress fisici, elettrici o elettromagnetici insoliti, negligenza o uso improprio, (ii) fluttuazioni dell'energia elettrica oltre le specifiche AVer, (iii) uso del Prodotto con accessori o opzioni non forniti da AVer o dai suoi agenti autorizzati, o (iv) installazione, alterazione o riparazione del Prodotto da parte di persone diverse da AVer o dai suoi agenti autorizzati.

Esclusione di garanzia

SALVO QUANTO ESPRESSAMENTE PREVISTO NEL PRESENTE DOCUMENTO E NELLA MISURA MASSIMA CONSENTITA DALLA LEGGE APPLICABILE, AVER DECLINA OGNI ALTRA GARANZIA IN RELAZIONE AL PRODOTTO, SIA ESSA ESPRESSA, IMPLICITA, LEGALE O DI ALTRO TIPO, INCLUSI, A TITOLO ESEMPLIFICATIVO, LA QUALITÀ SODDISFACENTE, IL CORSO DELLA TRATTATIVA, L'USO O LA PRATICA COMMERCIALE O LE GARANZIE IMPLICITE DI COMMERCIALIZZABILITÀ, IDONEITÀ PER UN PARTICOLARE SCOPO O NON VIOLAZIONE DI DIRITTI DI TERZI.

Limitazione di responsabilità

IN NESSUN CASO AVER SARÀ RESPONSABILE PER DANNI INDIRETTI, INCIDENTALI, SPECIALI, ESEMPLARI, PUNITIVI O CONSEGUENZIALI DI QUALSIASI NATURA, INCLUSI, A TITOLO ESEMPLIFICATIVO MA NON ESAUSTIVO, PERDITA DI PROFITTI, DATI, RICAVI, PRODUZIONE O USO, INTERRUZIONE DELL'ATTIVITÀ O ACQUISTO DI BENI O SERVIZI SOSTITUTIVI DERIVANTI DA O IN CONNESSIONE CON LA PRESENTE GARANZIA LIMITATA, O L'USO O LE PRESTAZIONI DI QUALSIASI PRODOTTO, SIANO ESSI BASATI SU CONTRATTO O ILLECITO CIVILE, INCLUSA LA NEGLIGENZA, O QUALSIASI ALTRA TEORIA LEGALE, ANCHE SE AVER HA AVVISATO DELLA POSSIBILITÀ DI

TALI DANNI. LA RESPONSABILITÀ TOTALE E AGGREGATA DI AVER PER DANNI DI QUALSIASI NATURA, INDIPENDENTEMENTE DALLA FORMA DI AZIONE, NON SUPERERÀ IN NESSUN CASO L'IMPORTO PAGATO DALL'UTENTE AD AVER PER IL PRODOTTO SPECIFICO SU CUI SI BASA LA RESPONSABILITÀ.

Legge applicabile e diritti dell'utente

La presente garanzia conferisce all'utente specifici diritti legali; l'utente può inoltre godere di altri diritti concessi dalla legge statale. Questi diritti variano da Stato a Stato.



Per il periodo di garanzia, fare riferimento alla scheda di garanzia.
