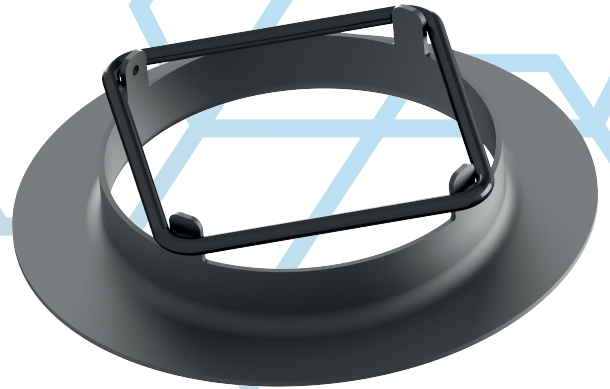


# CMARM60

Decorative finishing ring  
for ceiling mounts



## PRODUCT SPECIFICATIONS

Short index	CMARM60
Product group	Ceiling Mounts
Category	Accessories
Colour	Black
Warranty	Limited 5-years

**RoHS**  
Compliant

## TECHNICAL SPECIFICATIONS

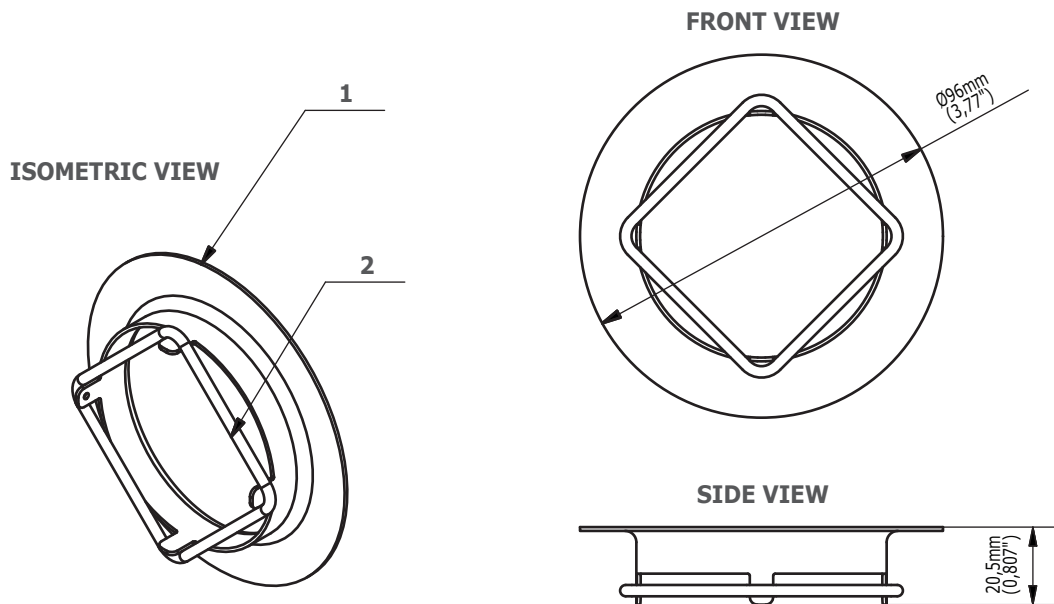
Product dimensions

W: 96 mm D: 96 mm H: 20,5 mm (W:3,77" D:3,77" H:0,807")

Product weight

0,1 kg (0,22 lb)

## TECHNICAL DRAWINGS



## LOGISTICS DATA

SAP INDEX	EAN CODE	COLOUR	PACKAGE DIMENSIONS	PACKAGE WEIGHT
WUSU-CMARM60	5908252964079	BLACK	140 x 130 x 50 mm 5,51 x 5,11 x 1,96"	0,1 kg 0.22 lb