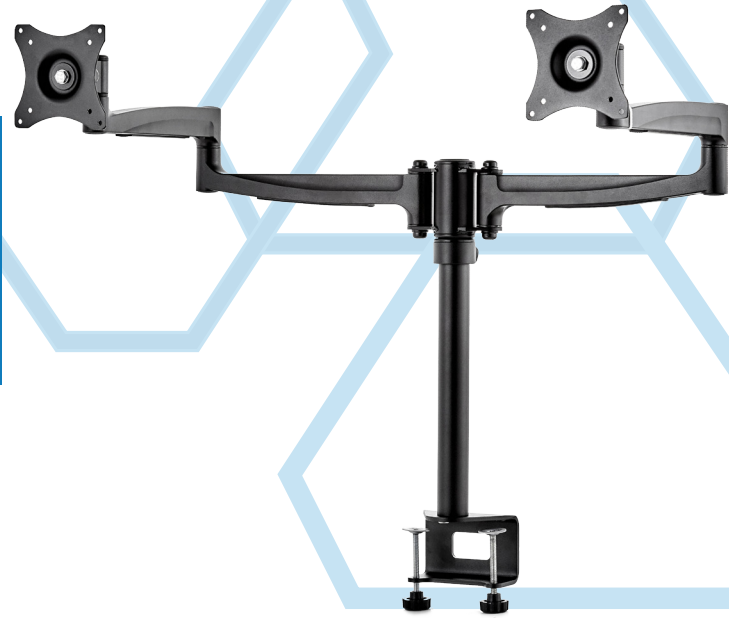


# DM121

## DESKTOP DOUBLE ARM MOUNT

FOR TWO 19"-27" SCREENS

The DM121 mount with double arms for two 19"-27" screens is designed for users who value ergonomics when working with a computer. Full height adjustment combined with 360° arm rotation allows you to position the screens to suit the user's individual needs and ensures excellent comfort during office work. Two types of desk fastenings of the mount are suitable for any installation, increasing its functionality. DM121 is a perfect choice for those performing any work with full-day use of screens, including in the industry, transport and monitoring centres. This mount is perfect for users who appreciate both functionality and aesthetics of design.



### FEATURES

- Full height adjustment
- Vertical and horizontal screen adjustment
- Right-left screen adjustment
- 360° arm rotation
- 2 types of desk fastenings included
- Cable management system
- Modern design
- Simple and quick installation

### PRODUCT SPECIFICATIONS

Short index	DM121
Category	Desktop Monitor Mounts
Product group	Display Mounts
Colour	Black
Warranty	Limited 5-years
Number of screens	2
Minimum screen size	19"
Maximum screen size	27"
Maximum load	20 kg
Arm rotation	360°
Left-right rotation	360°
Forward tilting	-45°/+45°
VESA Mounting Compatibility	75×75 up to 100×100



Full height adjustment



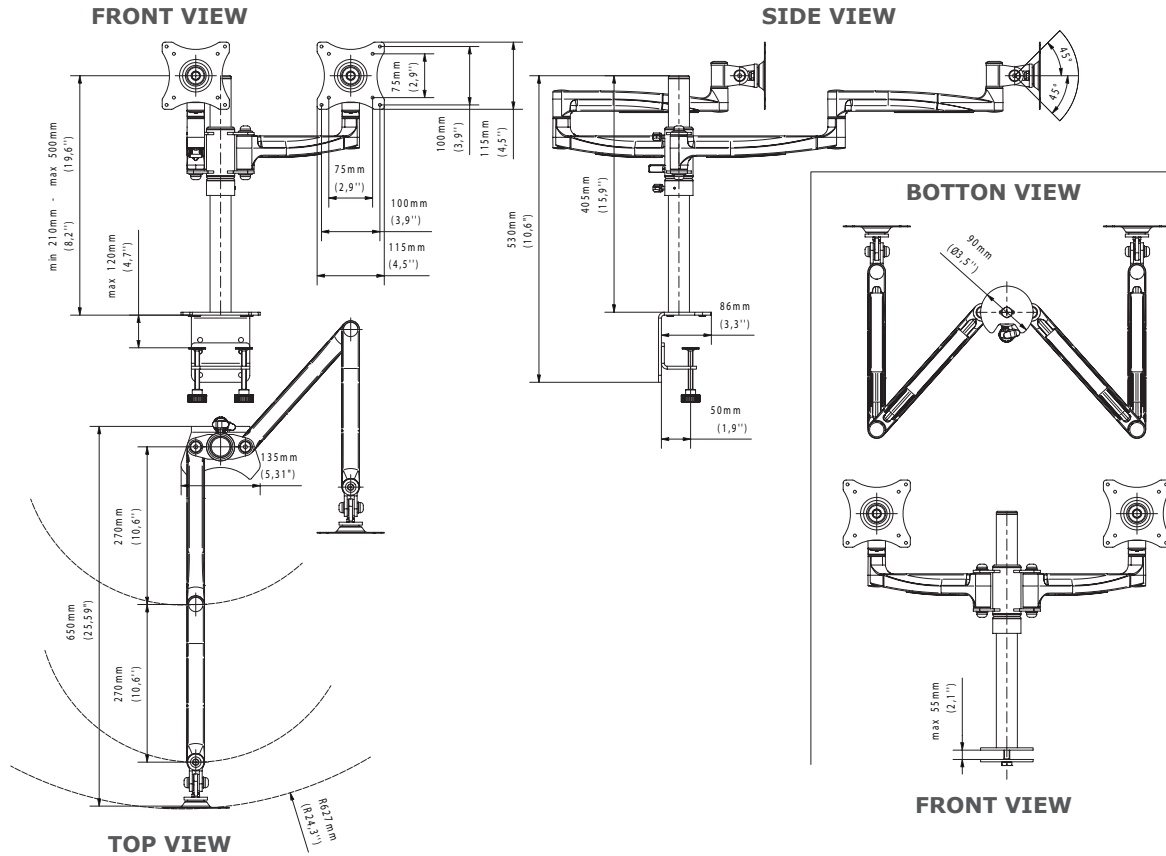
Cable management system



360° arm rotation



2 types of desk fastenings included

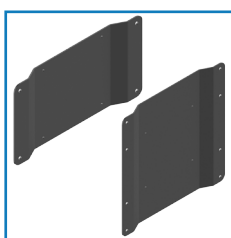

**TECHNICAL SPECIFICATIONS**

Product dimensions	W: 135 mm D: 650 mm H: 530 mm (W: 5,31" D: 25,59" H: 20,87")
Product weight	6,6 kg (15 lb)
Max. distance from mounting surface	500 mm (19,69")
Min. distance from mounting surface	210 mm (8,27")
Max. mounting pattern	100 mm x 100 mm
Min. mounting pattern	75 mm x 75 mm

**LOGISTICS DATA**

SAP INDEKS	EAN CODE	COLOUR	PACKAGE DIMENSIONS	PACKAGE WEIGHT
WUBI-DM121	5902841132054	BLACK	700 x 300 x 110 mm (27,56" x 11,81" x 4,33")	7,6 kg (17 lb)

HS Code (Harmonized System): 732690, HTS Code (Harmonized Tariff Schedule): 7326909890, Country of Origin: Poland

**ACCESSORIES AND RELATED PRODUCTS**


GDA1/GDA2



DM101



SV05



SV06