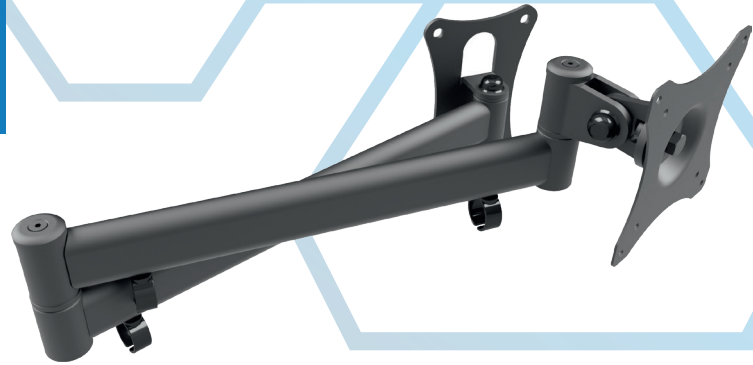


LANDSCAPE OR PORTRAIT ORIENTATION OF SCREEN

GD18

SWING ARM WALL MOUNT

FOR 10"-29" SCREENS



Universal GD18 swing arm wall mount wall mount dedicated to small screens ranging from 10" to 29". It's simple design makes it quick and easy to install on walls of various structures. GD18 occupies a small area and has the option of positioning the screen vertically or horizontally (360° head rotation). The mount has a long outreach and the possibility of tilting the screen by +50°, which allows any adjustment of screen position and increases the comfort of use.

FEATURES

- Robust design
- 3 axes of rotation allow proper adjustment of a viewing angle
- 360° vertical-horizontal screen rotation
- 130°/130° right-left screen rotation
- +50° tilt
- Cable management



PRODUCT SPECIFICATIONS

Short index	GD18
Category	Swing Arms Wall Mounts
Product group	Display Mounts
Colour	Black
Warranty	Limited 5-years
Number of screens	1
Minimum screen size	10"
Maximum screen size	29"
Maximum load	10 kg
Forward tilting	+50°
VESA Mounting Compatibility	75x75 up to 100x100



10"-29"



75x75
100x100



0-50°



10 kg



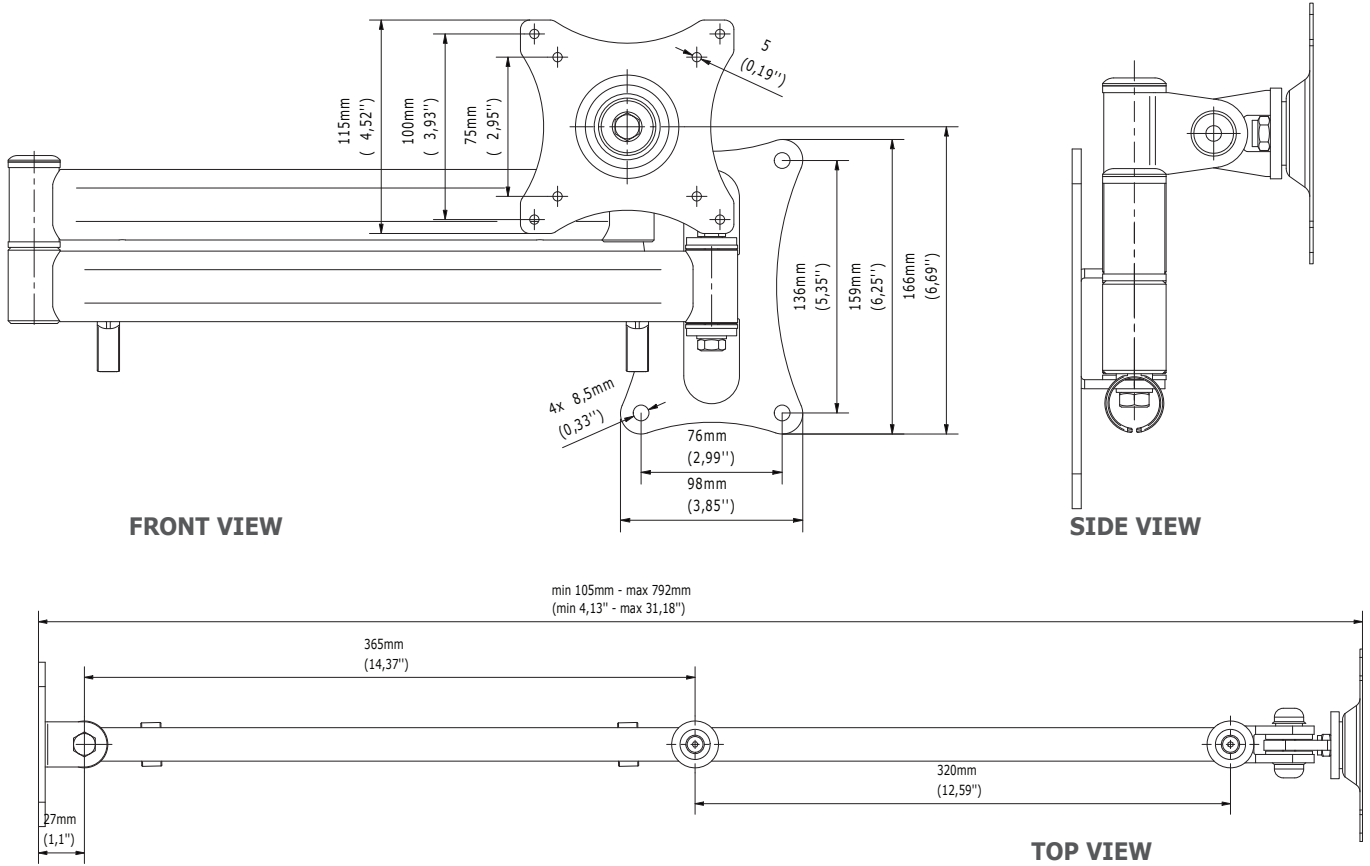
Orientation adjustment: 3 axes of rotation



+50° tilt



Cable management



TECHNICAL SPECIFICATIONS

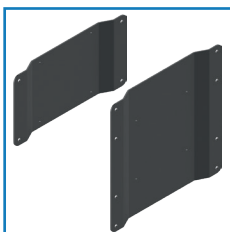
Product dimensions	W: 115 mm D: 792 mm H: 228 mm (W:4,53" D:31,18" H:8,98")
Product weight	2 kg (4 lb)
Max. distance from mounting surface	792 mm (31,18")
Min. distance from mounting surface	105 mm (4,25")
Max. mounting pattern	100 mm x 100 mm
Min. mounting pattern	75 mm x 75 mm

LOGISTICS DATA

SAP INDEX	EAN CODE	COLOUR	PACKAGE DIMENSIONS	PACKAGE WEIGHT
WUSC-GD18c-B	5902841103504	BLACK	425 x 250 x 100 mm 16,73 x 9,84 x 3,94"	2,50 kg 6 lb

HS Code (Harmonized System): 732690, HTS Code (Harmonized Tariff Schedule): 7326909890, Country of Origin: Poland

ACCESSORIES AND RELATED PRODUCTS



VESA adapters: GDA1/GDA2



GD04



GDV101



GDV121