

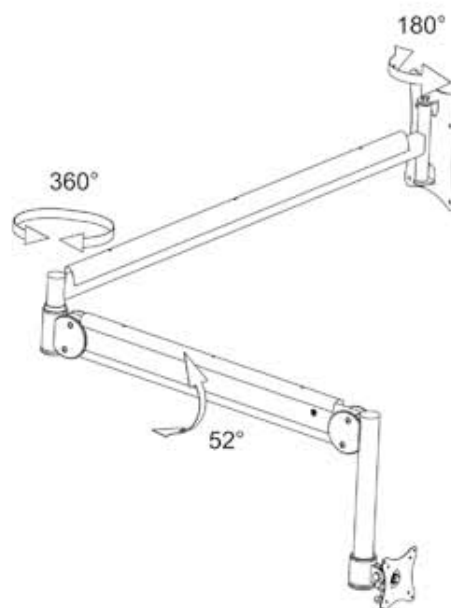
## Features:

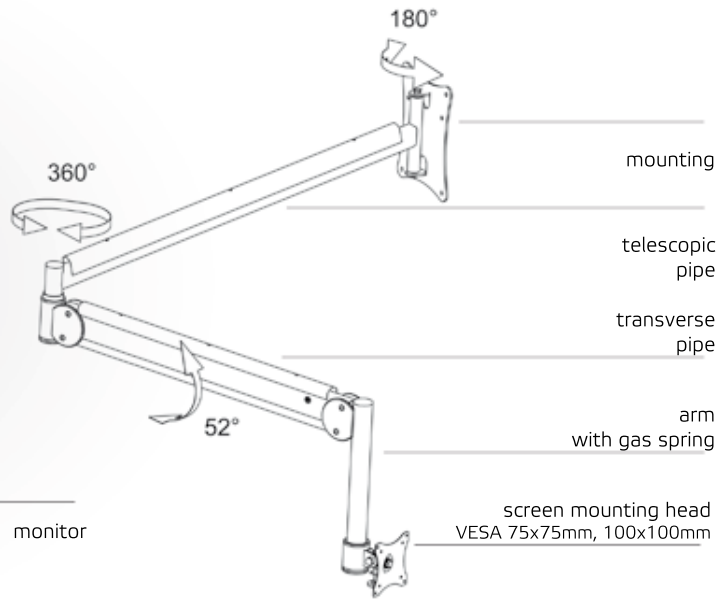
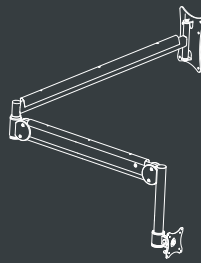
- » horizontal and vertical regulation
- » solution for cable management is provided
- » powder coated steel
- » easy and quick installation
- » checked in medical environment

## MSA02 (Medical LCD Monitor Swing Arm )

MSA02 is telescopic ceiling swing arm for screens size of 15-26" and weight 10kg. It offers easy access to multimedia terminals. Product is dedicated to medical sector mainly.

Gas spring technology offers comfort for users. Thanks to construction of the arm it can be adapted in rooms with different heights. There are possible four options of screen position.



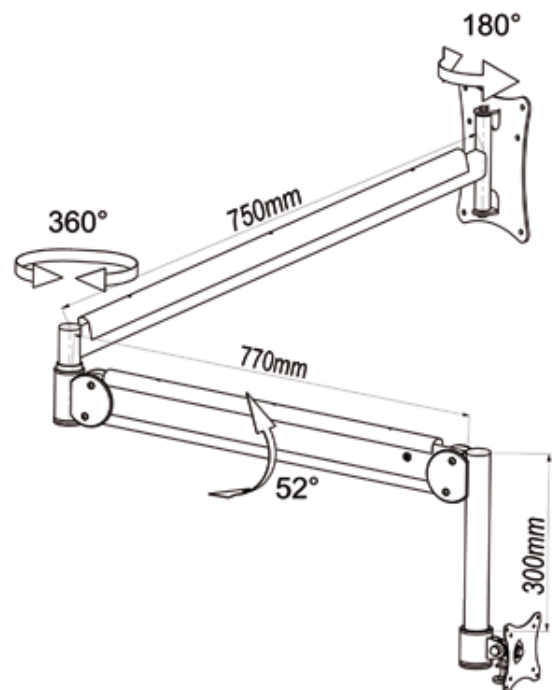


### Technical data:

Dimensions:	750x770x300mm
Net weight:	10kg
Rotation angle:	360°
VESA Standard:	75x75, 100x100
Packaging:	brown box

Product code:	Available colors:	Type of packaging:	EAN: Product code:
MSA02w-B	white	brown	5908252962563
MSA02c-B	black	brown	5908252962587
MSA02s-B	silver	brown	5908252962570

### Dimensions:



© 2009 EDBAK Sp. z o.o.  
Piotrowice 186, 23-107 Strzyżewice  
Poland, tel. +48 81 562 81 19,  
tel./fax +48 81 562 82 90  
e-mail: [info@edbak.com](mailto:info@edbak.com), [www.edbak.com](http://www.edbak.com)

Edbak's Quality Management System  
complies with ISO 9001:2000  
standards and it is certified  
by United Registrar of Systems.

