

# STD17

## FLAT SCREEN FLOOR STAND/TROLLEY

FOR ONE 42"-65" SCREEN

STD17 is a perfect solution for presenting the screen in an elegant and, at the same time, safe manner. The stand is universal and, due to its wide range of height adjustments, it can easily be adapted to many types of screens available on the market. A solid and stable base with the possibility of assembly to the floor makes it perfect for various rooms from hotel lobbies to conference rooms. The included locked casters provide mobility, which allows you to use the stand as a trolley and increases the range of product applications. Integrated cable management makes the finished installation neat and tidy, and as such STD17 is perfect for professional or commercial applications. This product features an interesting design combined with functionality.

### FEATURES

- Multifunctional base for use as a stand or trolley (castors included)
- Seamless height adjustment
- Universal VESA mount suitable for multiple screen types
- Integrated cable management system
- Base able for disassembly for easier transportation

### PRODUCT SPECIFICATIONS

Short index	STD17
Category	Flat Screen Trolleys
Product group	Trolleys & Stands
Colour	Black
Warranty	Limited 5-years
Number of screens	1
Minimum screen size	42"
Maximum screen size	65"
Maximum load	50 kg
Forward tilting	-6,5°/+12°
Height adjustment	Yes
VESA Mounting Compatibility	100x100 up to 600x400



42"-65"



100x100  
600x400



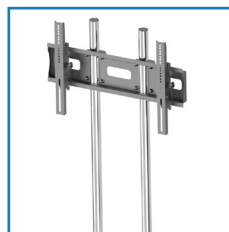
-6,5°/+12°



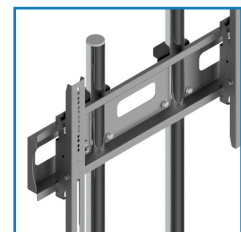
50 kg



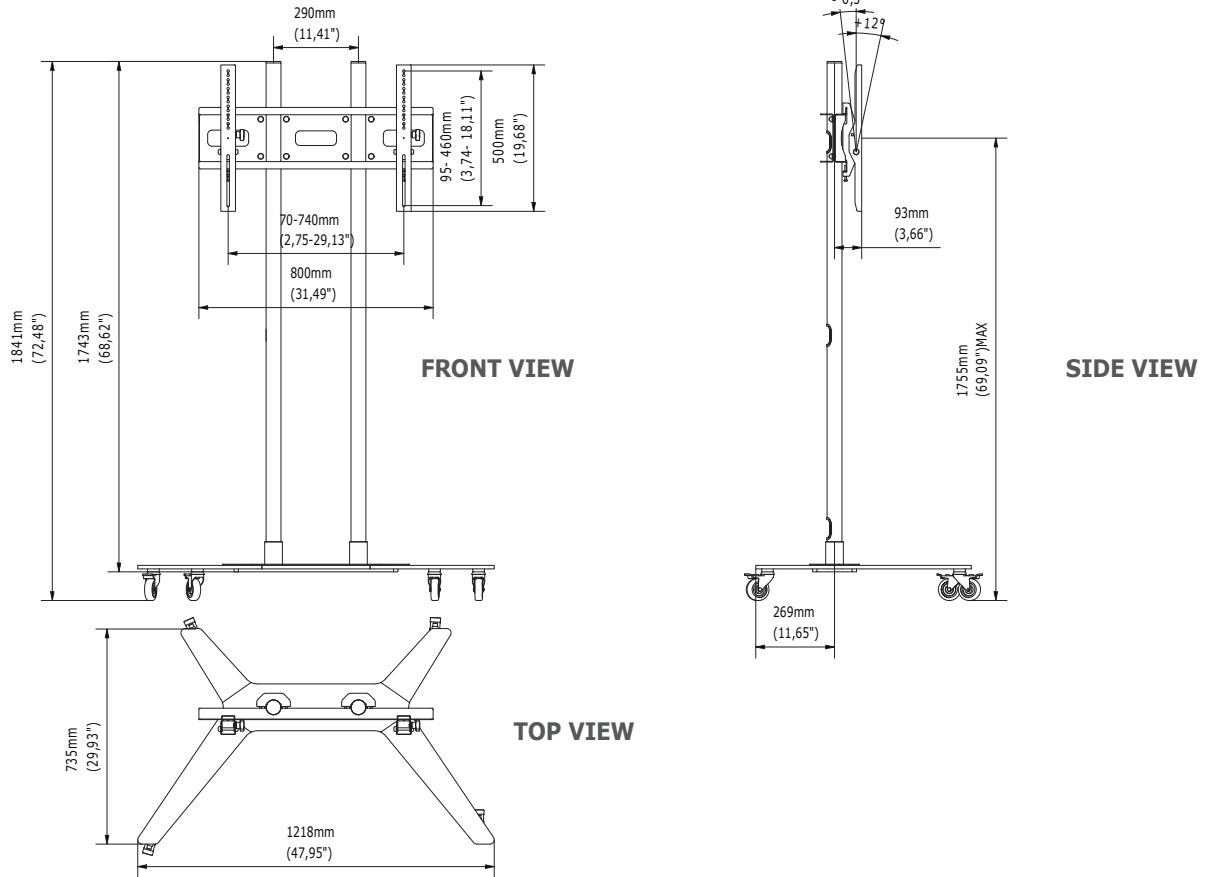
Multifunctional base that can be used as a stand or a trolley (wheels included)



Height adjustment



Cable management



## TECHNICAL SPECIFICATIONS

Product dimensions	W: 1218 mm D: 735 mm H: 1841 mm (W:47,95" D:28,94" H:72,48")
Product weight	47 kg (104 lb)
Max. distance from the floor to the center of the screen	1755 mm (69,09")
Min. distance from the floor to the center of the screen	375 mm (14,76")
Max. mounting pattern	740 mm x 460 mm
Min. mounting pattern	70 mm x 95 mm

## LOGISTICS DATA

SAP INDEX	EAN CODE	COLOUR	PACKAGE DIMENSIONS	PACKAGE WEIGHT
WSTD-STD17	5908252969920	BLACK	1750 x 510 x 330 mm 68,90 x 20,08 x 12,99"	51,5 kg 114 lb

HS Code (Harmonized System): 732690, HTS Code (Harmonized Tariff Schedule): 7326909890, Country of Origin: Poland

## ACCESSORIES AND RELATED PRODUCTS



TRS1/TRS2



STD01



TR1



TR5