

SV30

SLIM POLE DESK MOUNT

FOR 10"-29" SCREENS

SV30 has been designed for work ergonomics in small office or retail spaces. This universal desk mount with adjustable tilt angle is invaluable for the proper planning of desk space. Adjustable monitor height ensures comfort and convenience during work.



FEATURES

- Simple installation
- Height adjustment in the range of 280-450 mm
- Tilt angle adjustment from -30° to $+90^{\circ}$

PRODUCT SPECIFICATIONS

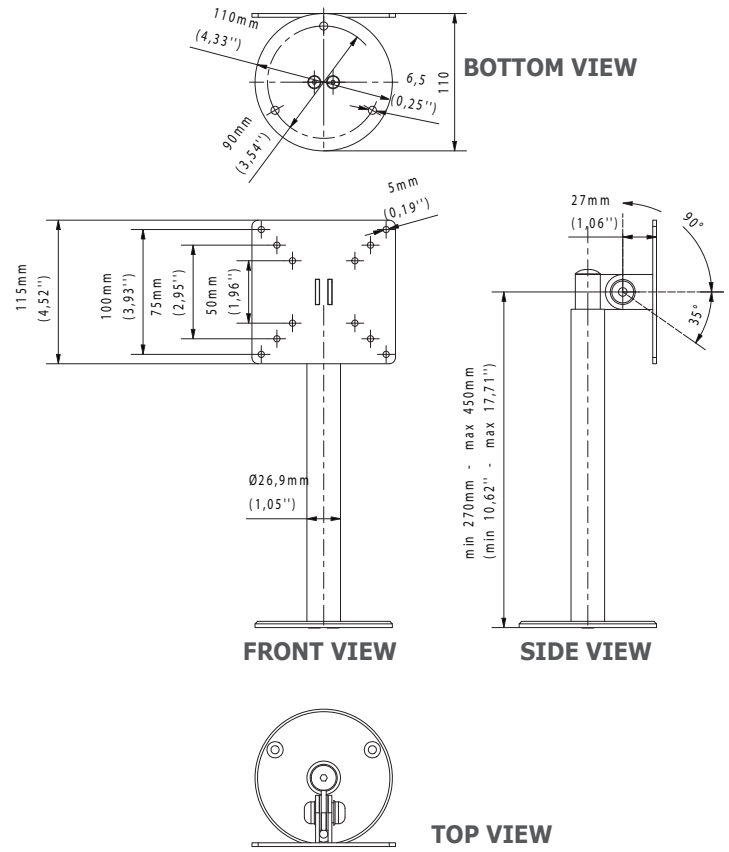
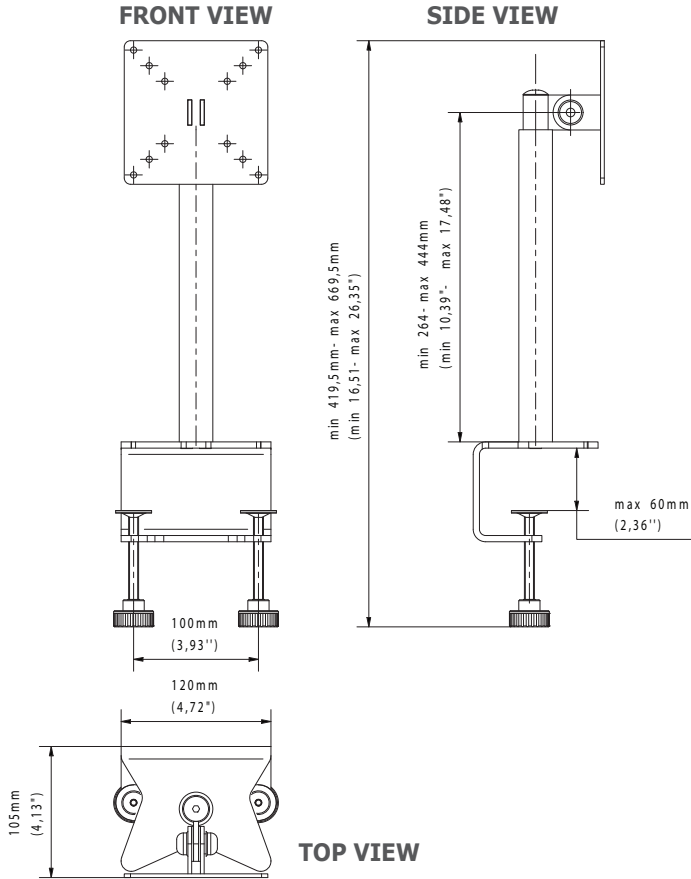
Short index	SV30
Category	Desktop Monitor Mounts
Product group	Display Mounts
Colour	Black
Warranty	Limited 5-years
Number of screens	1
Minimum screen size	10"
Maximum screen size	29"
Maximum load	10 kg
Forward tilting	$-90^{\circ}/+35^{\circ}$
Height adjustment	Yes
VESA Mounting Compatibility	75x75 up to 100x100



Height adjustment



Tilt angle adjustment from -90° to $+35^{\circ}$



TECHNICAL SPECIFICATIONS

Product dimensions	W: 115 mm D: 110 mm H: 328 mm (W:4,53" D:4,33" H:12,91")
Product weight	1,5 kg (3 lb)
Max. distance from mounting surface	450 mm (17,72")
Min. distance from mounting surface	270 mm (10,63")
Max. mounting pattern	100 mm x 100 mm
Min. mounting pattern	55 mm x 55 mm

LOGISTICS DATA

SAP INDEX	EAN CODE	COLOUR	PACKAGE DIMENSIONS	PACKAGE WEIGHT
WUBI-SV30c-B	5908252961092	BLACK	420 x 170 x 135 mm 16,54 x 6,69 x 5,31"	2,7 kg 6 lb

HS Code (Harmonized System): 732690, HTS Code (Harmonized Tariff Schedule): 7326909890, Country of Origin: Poland

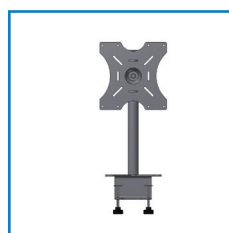
ACCESSORIES AND RELATED PRODUCTS



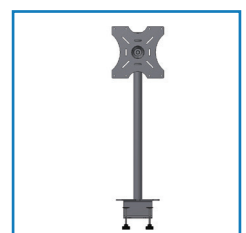
SV01



SV29



MSV1



MSV2