



Available in varnished Finnish birch plywood or black and white polyurethane painting.

**MI-18.1 :**

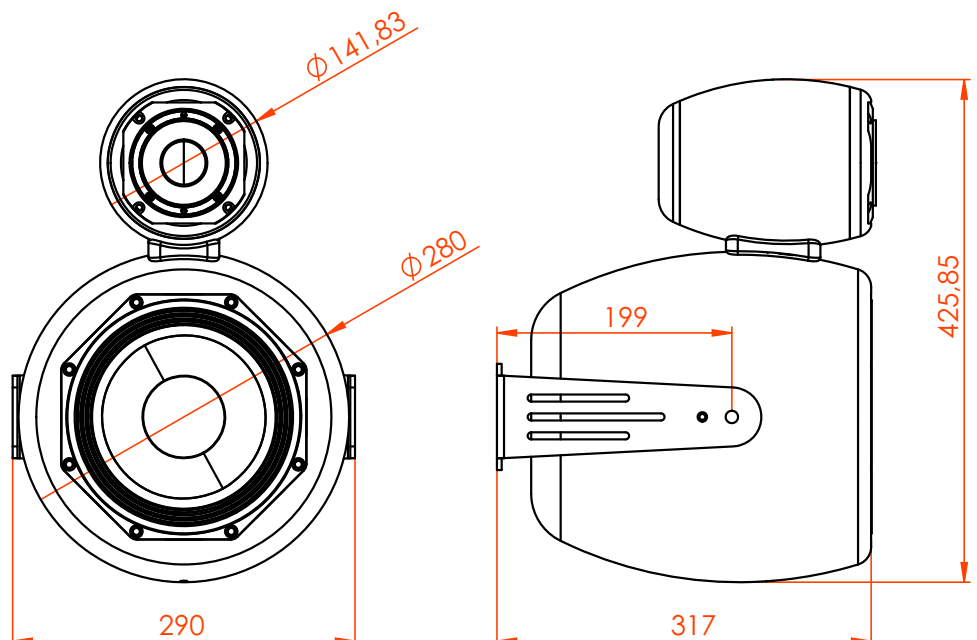
- **MF:** 1 x 8" - 8 Ω Bass reflex
- **HF:** 1 x 1" - 8 Ω Neodymium tweeter
- AES power: 200 W
- Sensitivity @ 1W/1m: 97 dB
- Dimensions: 290 x 317 x 425,85 mm
- Weight: 20 Kg

- **MI-18.1P:** **Passive version**

- **MI-18.1M:** **Mono active version**



On Special order:  
Amber coloured  
transparent resin design.





**MI-18.1 AMPLIFIER:**

- Power Ratings:  
**250 + 150 W RMS / 8 Ω - 500 + 75 W RMS / 4 Ω**
- THD+N (typical) < 0.05 % (20 Hz - 20 kHz, 8 Ω load, 3 dB below rated power)
- Frequency Response 20 Hz - 20 kHz (+0/-0.25 dB (8 Ω load, 3 dB below rated power))
- Damping Factor > 500 (8 Ω load, 1 kHz and below)
- Protection Circuits: Short circuit protection, DC protection, under voltage protection, temperature protection, overload protection.
- Dimensions: 400 x 218 x 100 mm / 4.5 Kg



**Features:**

- AC IN 85-265V on Powercon connector
- Audio IN on XRL 3F
- Audio Link on XLR 3M output
- Audio OUT on Speakon (1-/1+ Mid & 2-/2+ Hi)
- DSP control on ethernet RJ45 input
- Volume control / 5 integrated presets / Peak & signal LEDs