



**AVAILABLE IN BLACK OR WHITE
(WHITE IN OPTION)**

CT-15 2 WAY PASSIVE SPEAKER

- **VERSION 8 Ω : 120 W**
- **VERSION 16 Ω : 100 W**

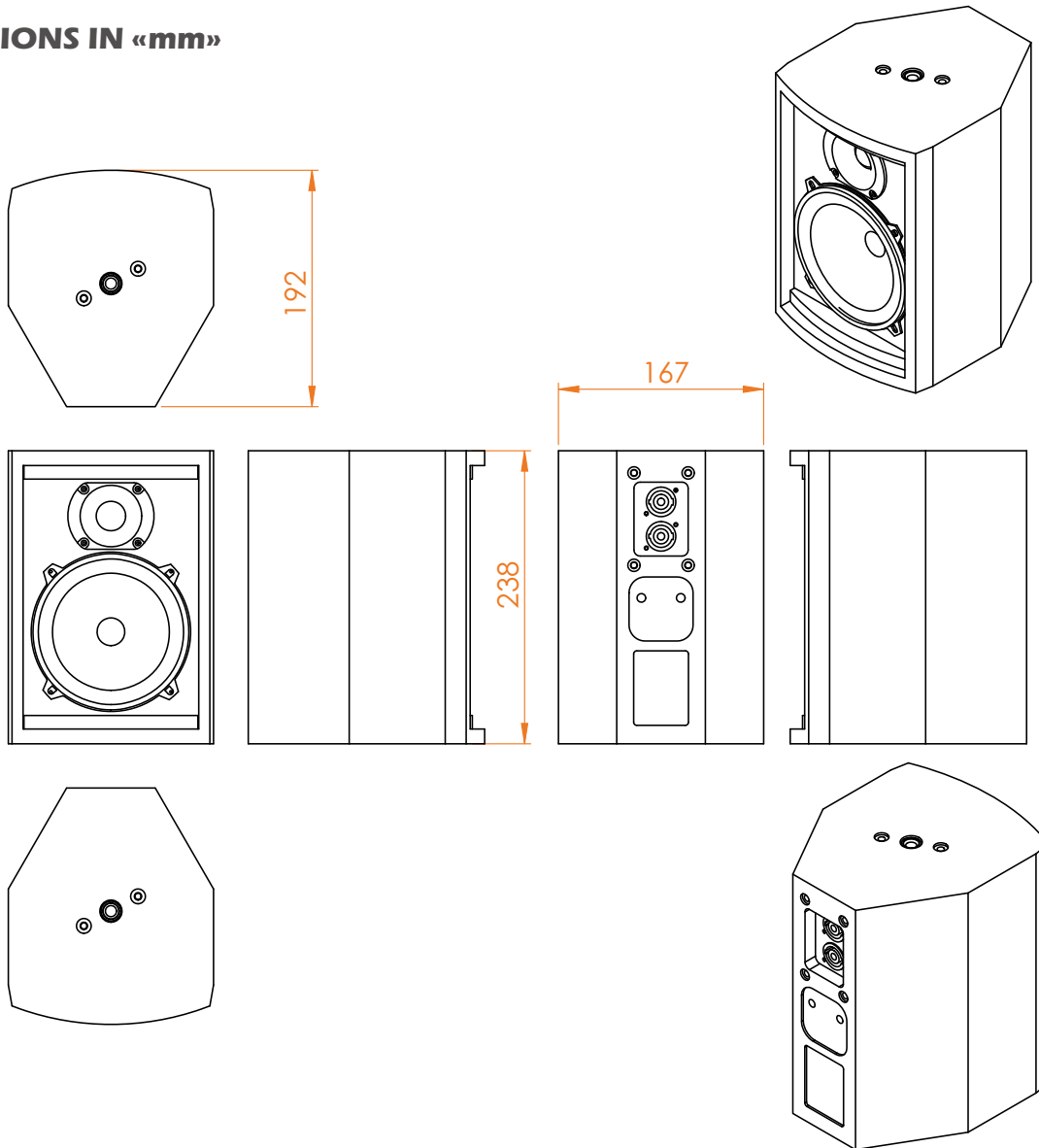
- **BANDWIDTH (-6DB) : 85 Hz - 21 KHz**
- **SENSITIVITY : 90 DB / 1W @1m**
- **SPL MAX LEVEL : 109 dB**
- **DIRECTIVITY (-6DB) : 70°H**
- **LMF : 1 x 5" CLOSED ENCLOSURE**
- **HF : 1 x 0,25" NEODYMIUM TWEETER**
- **12 mm BALTIC BIRCH WOOD**
- **FINISH POLYURETHANE PAINTING**
- **DIM. : H238 x D192 x W167 mm / 3,5 Kg**
- **RIGGING : 2 x M10 (TOP + BOTTOM) + 2 x M6 (BACK)**

PHOENIX VERSION : 4 PTS PHOENIX
SPEAKON VERSION : 2 NEUTRIK NL4MP

- CT15-PB08 : PHOENIX 8 Ω BLACK**
- CT15-PB16 : PHOENIX 16 Ω BLACK**
- CT15-SB08 : SPEAKON 8 Ω BLACK**
- CT15-SB16 : SPEAKON 16 Ω BLACK**
- CT15-V8B : PHOENIX 8 Ω OR 100V (17/25/35W) WITH SWITCH BUTTON**
- CT15-VB : PHOENIX 100V (17/25/35W)**
- CT15-*W** : WHITE**



DIMENSIONS IN «mm»



ACCESSORIES

