



Front grille
 15/10th +
 black foam 30 PPI



3-Way
 Passive System

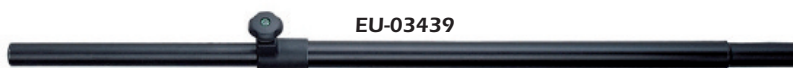
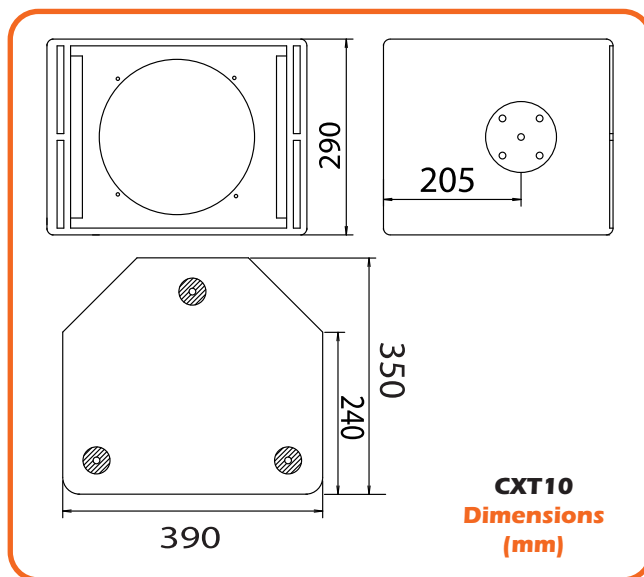
Its best advantages:

- Strong output
- Coaxial mounting
- Discreet
- Multi rigging hardware equipment

CXT10

Coaxial 2-way Passive Cabinet

- RMS Power175 W / 8 Ω
- Bandwidth (-6dB)80 Hz to 20 KHz
- Sensitivity95 dB / 1W @1m
- SPL MAX Level116 dB
- Directivity (-6dB)70° Conical
- LF1 x 10" bass-reflex speaker
- HF1 coaxial speaker 1"
- RiggingFlange 35 mm K&M +
 2 interchangeable sockets M10/20
- Connections2 Speakon NL4MP
- Enclosure15 mm MDF
- FinishPolyurethane painting
- DimensionsH290 x D350 x W390 mm / 17 kg



EU-03439 Telescopic black tube - max 30 Kg / 83,5 to 143 cm / ø35/35 mm
EU-13970 Telescopic black tube - max 30 Kg / 90,5 to 160,5 cm / ø35/35 mm



Front grille 15/10th +
black foam 30 PPI



CXT15B

Bass Cabinet with built-in passive crossover

- RMS Power275 W / 8 Ω
- Bandwidth: (-6dB)50 Hz to 150 Hz
- Sensitivity101 dB / 1W @1m
- SPL MAX Level126 dB
- Directivity (-6dB)Omnidirectional

- **LF**1 x 15" bass-reflex speaker

- ConnectionsInput on 2 Speakon NL4
+ 1 output on NL4MP for 1 x CXT10
- Rigging1 flange 35 mm K&M
- Enclosure15/18 mm MDF
- FinishPolyurethane painting
- DimensionsH450 x D600 x W600 mm / 35 kg

The **CXT15B** is a compact bass cabinet which improves the bandwidth of the passive compact **CXT10** down to 50 Hz. It's trapezoidal shape at the rear allows to integrate easily in tough environments. The built in RPX passive crossover allows easy and enhanced audio performance in active or passive mode. You will be able to use 2 x CXT 10 and 2 x CXT 15B on one single amplifier without active crossover.

Its best advantages:

- Higher dynamic
- Incredible size/weight/ power ratio
- Built in RPX
- Weatherproof foam (water, dust)

