

**S10.1MKII**

**2-Way Passive Speaker**

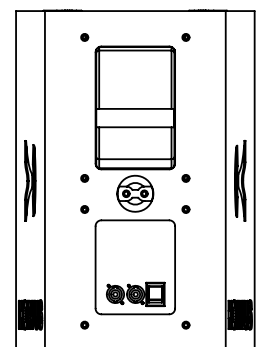
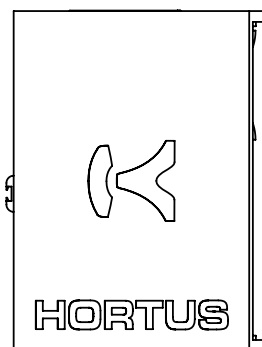
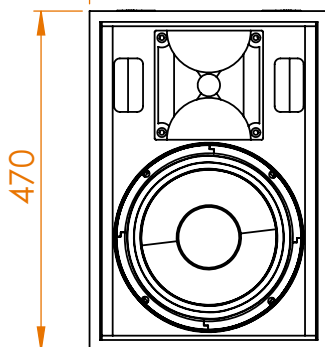
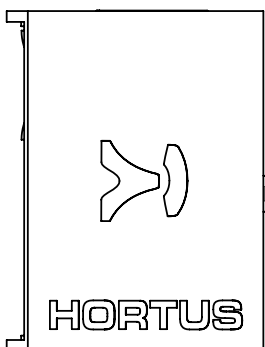
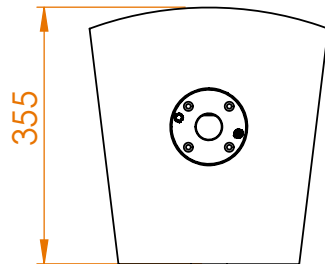
- AES Power .....250 W / 8 Ω
- Bandwidth (-6dB) .....85 Hz - 20 kHz
- Sensitivity .....98 dB / 1W @1m
- SPL MAX Level .....122 dB
- Directivity (-6dB) .....90° H x 90° V
  
- LF .....1 x 10" Bass-reflex speaker
- HF .....Compression 1"
  
- Connections .....2 Speakon NL4MP
- Rigging .....F socket. ø 35mm  
+ 2 x Rails type aerodeck + 1 single stud on the rear panel
- Enclosure .....15 mm Baltic Birch Wood
- Finish .....Polyurethane painting
- Dimensions .....H470 x D355 x W330, 17 kg



**HO-RI-PAS HO-RI-PAD**

OPTION Stud Ring  
HO-RI-PAS: Single  
HO-RI-PAD: Double

**EU-03433**  
Adjustable wall mount  
(option)



**Best advantages:**

- Compact size
- Passive speaker : easy to set up
- Integrated rigging hardware
- Weatherproof foam (water, dust)