

S12.1MKII

2-Way Passive Speaker

- AES Power 350 W / 8 Ω
- Bandwidth (-6dB) 85 Hz - 19 kHz
- Sensitivity 99 dB / 1W @1m
- SPL MAX Level 126 dB
- Directivity (-6dB) 90° H x 90° V

- LF 1 x 12" Bass-reflex speaker
- HF Compression 1"

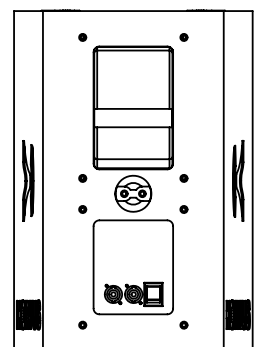
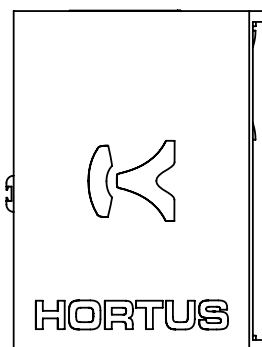
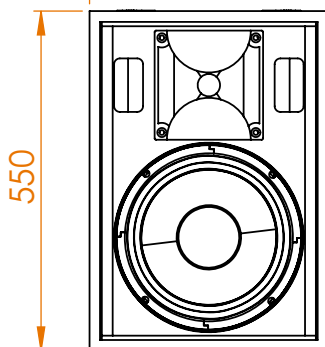
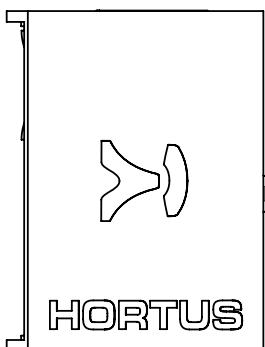
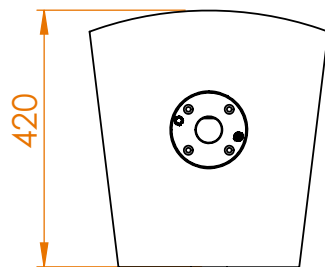
- Connections 2 Speakon NL4MP
- Rigging Fem.ssocket. ø 35mm,
2 x Rails type aerodeck (top) + 1 x single stud (rear)
- Enclosure 15 mm Baltic Birch Wood
- Finish Polyurethane painting
- Dimensions H550 x D420 x W395, 24 kg



HO-RI-PAS HO-RI-PAD

OPTION Stud Ring
HO-RI-PAS: Single
HO-RI-PAD: Double

EU-03433
Adjustable wall mount
(option)



Best advantages:

- Plug & Play concept
- Compact size
- Integrated rigging hardware
- Weatherproof foam (water, dust)