

Socket for M20 tube



CBA10 BASS CABINET

- LF: 1 x 10" double wave loudspeaker
- Bandwidth (-6dB): 55 Hz to 220 Hz
- Directivity: Half Directional 180°
- Rigging: 1 socket for tube M20
- 18 mm Baltic Birch Wood
- Dim. H377 x D400 x W430 mm / Wht: 20 Kg

- Flight-case MICROMAX8:
For 2 x CBA-12 and 2 x CLA-88
- H640 x D1050 x W880 mm
 - Weight: 44 Kg / 0,59 m³

FC-2CBA10/2CLA85
FC-2CBA12/2CLA88

CBA12 BASS CABINET

- LF: 1 x 12" double wave loudspeaker
- Bandwidth (-6dB): 50 Hz to 220 Hz
- Directivity: Half Directional 180°
- Rigging: 1 socket for tube M20
- 18 mm Baltic Birch Wood
- Dim. H447 x D460 x W450mm / Wht: 27 Kg

CBA10P - Passive
350 W AES / 8 Ω / Speakon 4 pts.

CBA10M - Mono Amplified
2 ways 750 W + 250 W + DSP

CBA10S - Stereo Amplified
3 ways 750 W + 2 x 250 W + DSP



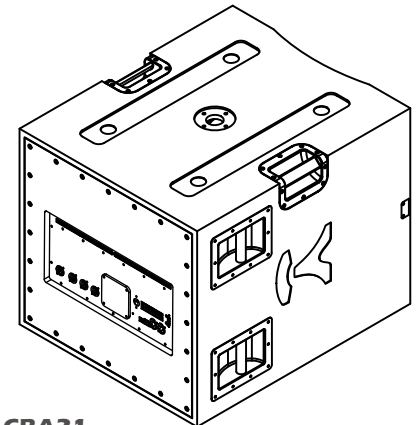
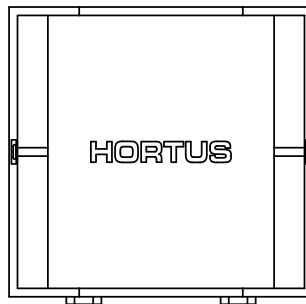
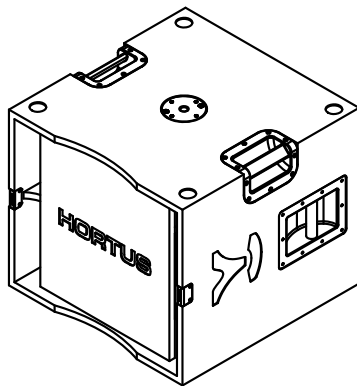
Amplified Versions(CBA10 & 12):

- Power: 2 x Powercon In/Out
- Pascal Audio Amplifier
- «All DSP» with Ethernet

CBA12P - Passive
700 W AES / 8 Ω / Speakon 4 pts.

CBA12M - Mono Amplified
2 ways 1000 W + 250 W + DSP

CBA12S - Stereo Amplified
3 ways 1000 W + 2 x 250 W + DSP



CBA15

- LF: 1 x 15" double wave loudspeaker
- Bandwidth (-6dB): 40 Hz to 220 Hz
- Directivity: Half Directional 180°
- Rigging: 1 socket for tube M20
- 18 mm Baltic Birch Wood
- Dim. H507 x D580 x W570 mm

CBA18

- LF: 1 x 18" double wave loudspeaker
- Bandwidth (-6dB): 30 Hz to 220 Hz
- Directivity: Half Directional 180°
- Rigging: 1 socket for tube M20
- 18 mm Baltic Birch Wood
- Dim. H620 x D780 x W648 mm

CBA21

- LF: 1 x 21" double wave loudspeaker
- Bandwidth (-6dB): 25 Hz to 220 Hz
- Directivity: Half Directional 180°
- Rigging: 1 socket for tube M20
- 21 mm Baltic Birch Wood
- Dim. H700 x D860 x W730 mm

CBA15P: Passive Bass Cabinet

- 1500 W AES / 8 Ω / Speakon 4 pts

CBA18P: Passive Bass Cabinet

- 1600 W AES / 8 Ω / Speakon 4 pts

CBA21P: Passive Bass Cabinet

- 1800 W AES / 8 Ω / Speakon 4 pts

CBA15S: Stereo Version, amp. 3 ways (DSP)

- 1500 W AES + 2 x 400 W / 8 Ω

CBA18S: Stereo Version, amp. 3 ways (DSP)

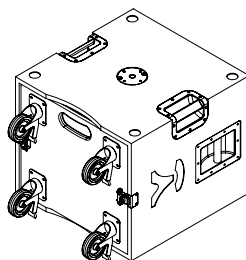
- 1500 W AES + 2 x 400 W / 8 Ω

CBA21S: Stereo Version, amp. 3 ways (DSP)

- 1500 W AES + 2 x 400 W / 8 Ω

Bass: 1500W @ 8 Ohms
2500W @ 4 Ohms
(with second passive bass cabinet)

Stereo Out L & R:
2 x 800W @ 4 Ohms
2 x 400 W @ 8 Ohms

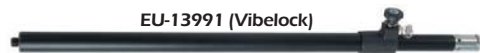


HO-SK-CBA15: Skate + 4 Guitel braked wheels

HO-SK-CBA18: Skate + 4 Guitel braked wheels

HO-SK-CBA21: Skate + 4 Guitel braked wheels

EU-13991 (Vibelock)



EU-01282 Tube ø35mm & M20

EU-13991 Tube ø35mm & M20

Amplified Versions:

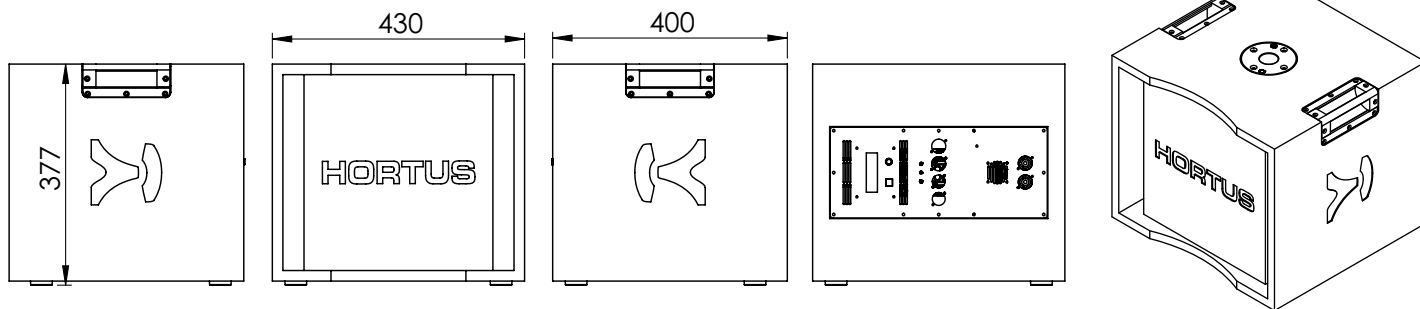
- Power: 2 x Powercon In/out
- 3 ways Pascal Audio Amplifier
- «All DSP» with Ethernet & USB connections
- LCD Display & Menu button for local settings
- Amplified L & R outputs on speakon 4 pins
- Amplified output (Speakon) for slave passive bass cabinet (Spk 4 pins).



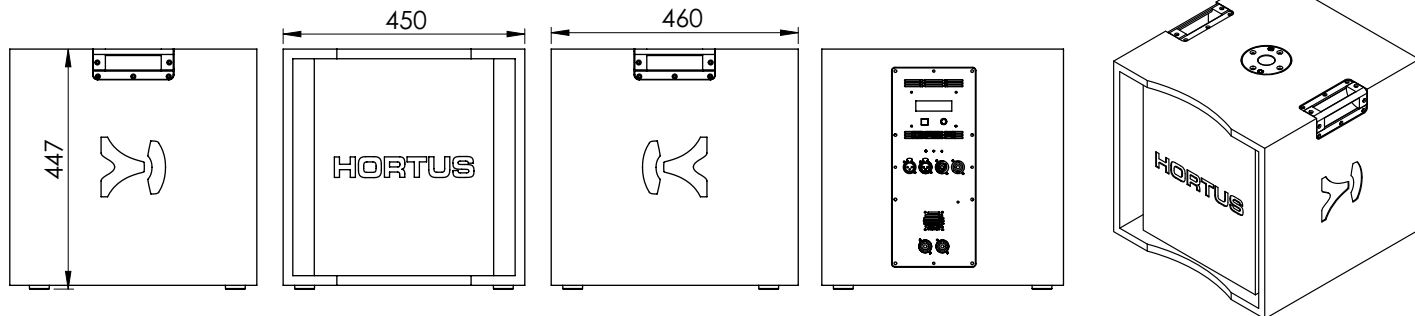
PASCAL



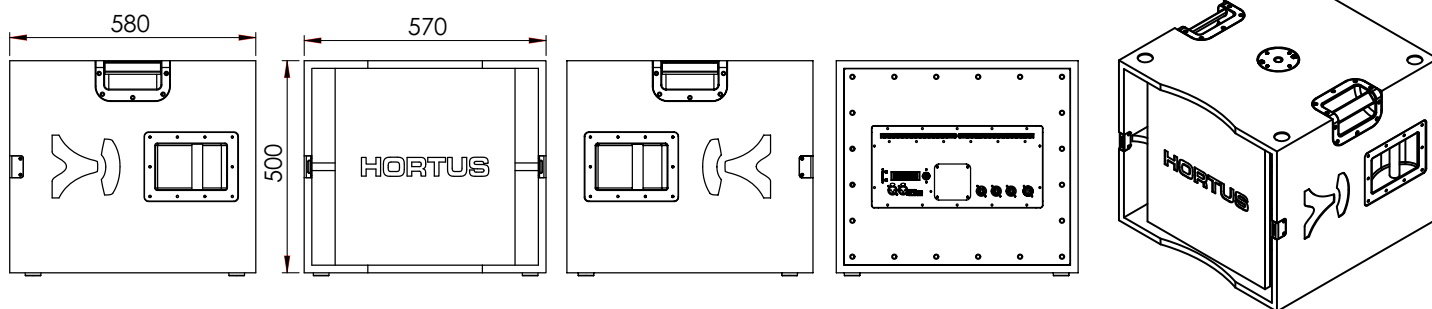
CBA10 Dimensions (mm)



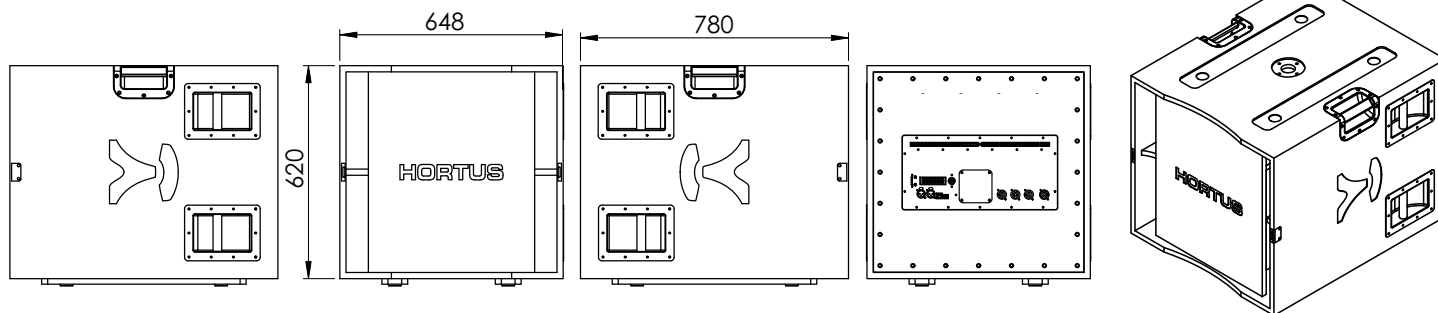
CBA12 Dimensions (mm)



CBA15 Dimensions (mm)



CBA18 Dimensions (mm)



CBA21 Dimensions (mm)

