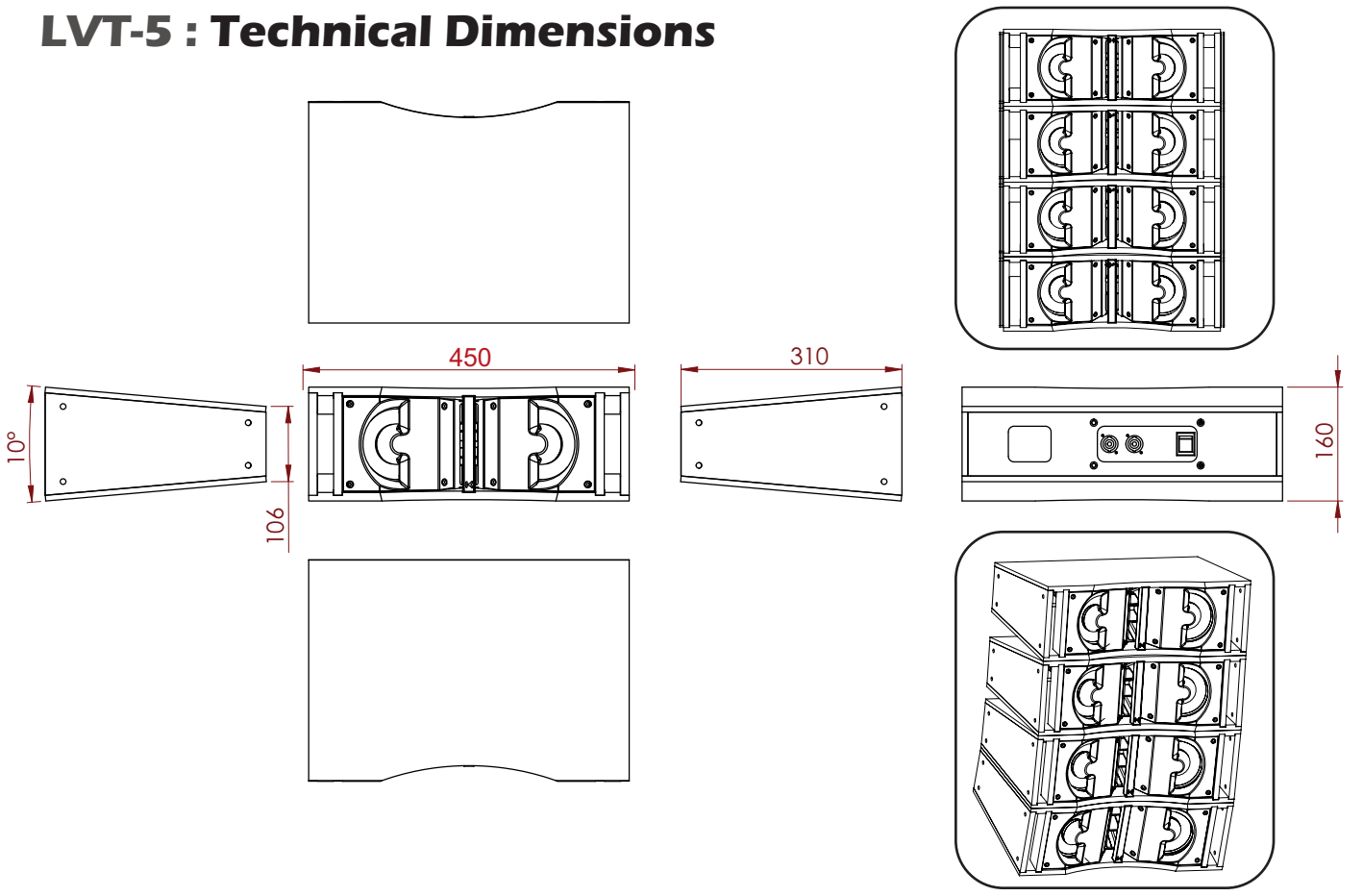




**LVT-5 - MINI LINE ARRAY**

- AES Power : 320 W (Program : 600 W)
- MF : 2 x 5" Speakers
- HF : 1 x 1" Compression Driver
- Passive Filter
- Impedance : 16 Ω
- Bandwith (-6dB) : 180 Hz to 20 Khz
- SPL (Measured) : 122 dB
- SPL (Peak) : 125 dB
- Directivity : 100° H / 15° V
- Baltic birch wood
- Finish polyurethane painting
- Dimensions : H160 x D310 x W450 mm

**LVT-5 : Technical Dimensions**





## SYSTEM'S SPECIFICATIONS

**PACK : 1 CBA-12L + 4 x LVT-5**

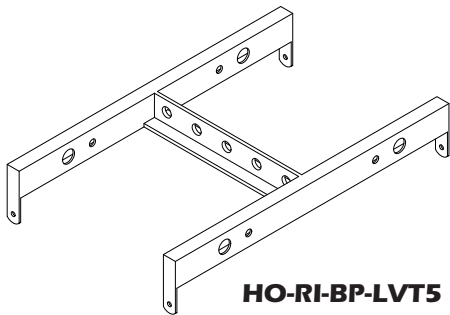
- **LF : 1000 W RMS**
- **MF + HF : 500 W RMS**
- **Integrated Amplifier and DSP**
- **Bandwith (-6dB) : 45 Hz to 20 Khz**
- **SPL (Measured) : 127 dB**
- **SPL (Peak) : 130 dB**

**CBA12LP : Passive Bass Cabinet**  
700 W AES / 8 Ω / speakon 4 pts

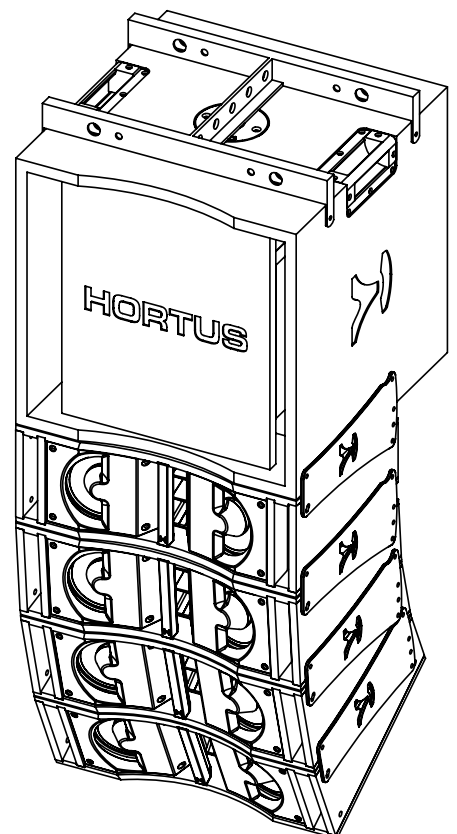
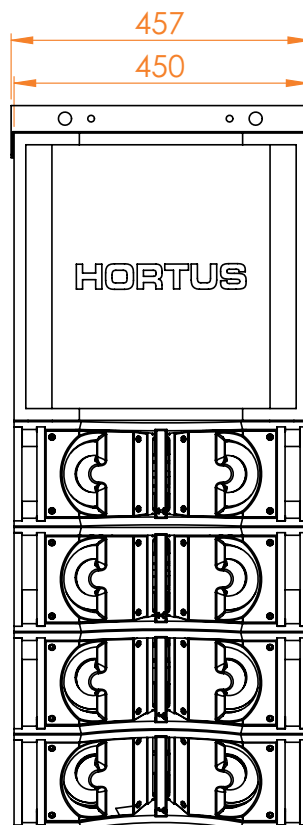
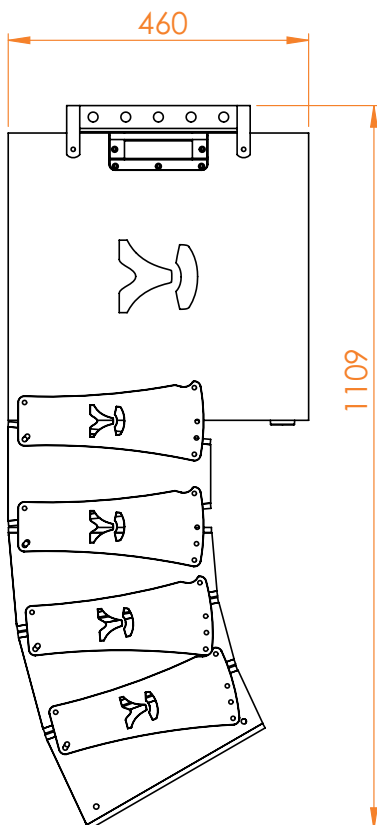
**CBA12LM : Mono Version, amplified**  
**Mono DSP 2 ways, 1000W + 250W**

**CBA12LM2 : Mono Version, amplified**  
**Mono DSP 2 ways, 1000W + 2 x 250W**

**CBA12LS : Stereo Version, amplified**  
**Stereo DSP 3 ways, 1000W + 2 x 250W**

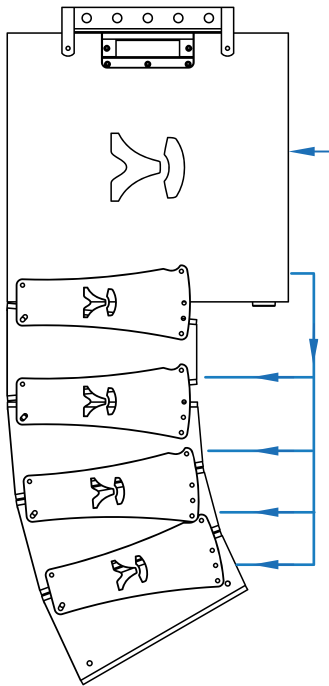


**HO-RI-BP-LVT5**  
- Bumper  
- Dim. : 457 x 281 x75 mm



**CBA12LM + 4 x LVT5**

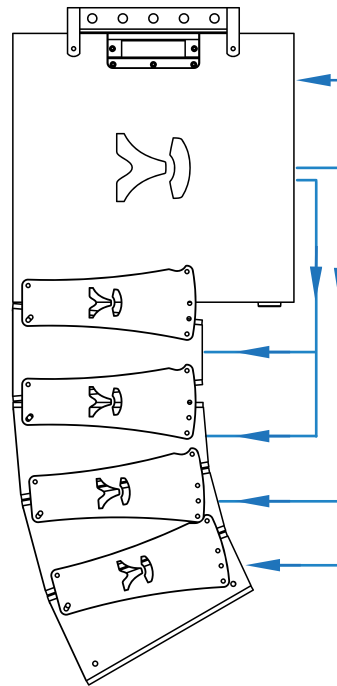
**Amplified Version**



- Mono input + Link
- 1 x Mono DSP XM14
- 1 x 1000 W Amplifier for bass unit
- 1 x 250 W Amplifier for 4 x LVT5

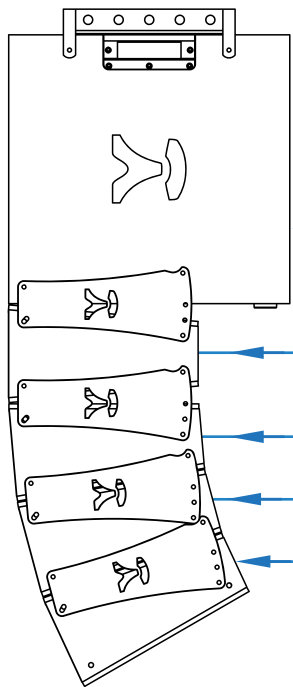
**CBA12LM2 + 4 x LVT5**

**Amplified Version**



- Mono input + Link
- 1 x Mono DSP XM14
- 1 x 1000 W Amplifier for bass unit
- 2 x 250 W Amplifiers for 4 or 8 x LVT5

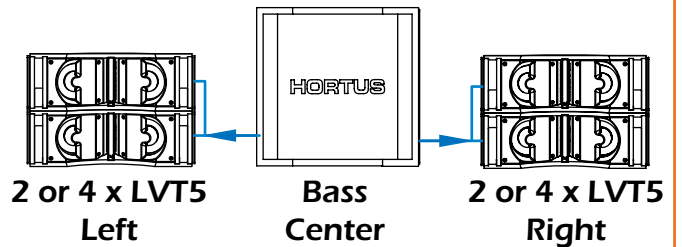
**CBA12LP + 4 x LVT5**



from bass amplifier

from mid/Hi amplifier

**CBA12LS + 4 x LVT5**



2 or 4 x LVT5  
Left

Bass  
Center

2 or 4 x LVT5  
Right

**Stereo Amplified Version**

- Stereo input
- 1 x Stéréo DSP XM24
- 1 x 1000 W Amplifier for bass unit
- 2 x 250 W Amplifiers