



SLS Sound
Light
Spain



Over the legend



HORTUS AUDIO
CATALOGUE





CT2.1: ANALOG CONTROLLER

2 INPUTS, 3 OUTPUTS

Technical specifications

- Full range mode or active 2 ways (bass mono)
- Input: Jack XLR electronic balanced combo
- Output: unbalanced XLR
- Frequency response: 20 Hz - 20 KHz (-3dB)
- Filter slope: 18 dB/octave
- Sensitivity: 0 dBv

- Saturation threshold: 24 dBv
- Distortion THD: < 0.01% 20 Hz - 20 KHz à 0 dBv
- S/N Ratio: < -87 dB
- Infra Low filter 35 Hz / section SUB 35 - 125 Hz
- Mid / Treble: 125 - 20 KHz
- Power requirements: 230 Volts, 50 Hz
- Consumption: 150 mA
- Dim. 19"/1U, 483W x 45H x 105D mm, Wht: 2,38 Kg



AMS1: ANALOG CONTROLLER

2 INPUTS, 4 OUTPUTS

Technical specifications

- Inputs: F balanced electronic XLR
- Gain setting on each output
- Dynamic range: >95 dB (20 Hz to 20 kHz)
- Input impedance: 12 k Ω
- Sensitivity: 0 dBu
- Saturation threshold: + 15 dBu
- Outputs: M balanced electronic XLR
- Max. output level: +20 dBu @ 600 Ω

- Output impedance: 200 Ω
- Frequency response: 20 Hz to 20 kHz @ - 3 dB
- Crosstalk: > 80 dBu, 20 Hz to 20 kHz
- Distortion (DHT): < 0.1% 20 Hz to 20 kHz
- Dim. 19"/1U, 483W x 44,5H x 105D mm / Wht: 2,54 Kg

- Full Range mode:** 35Hz to 20 kHz
Active 2-way mode:
 - Sub: 35 Hz to 120 Hz
 - Medium / Treble: 120 Hz to 20 kHz
 - Phase inversion on bass section



HSL-24 DSP PROCESSOR

Technical specifications

- 2 inputs / 4 outputs
- DSP 32 bit
- Converts AN / NA: 96 kHz
- Software for PC
- USB interface
- Rack 19" - 1U
- Dim. 483W x 44,5H x 205D mm / 2,54 Kg



HSL-36 DSP PROCESSOR

Technical specs similar to HSL-24

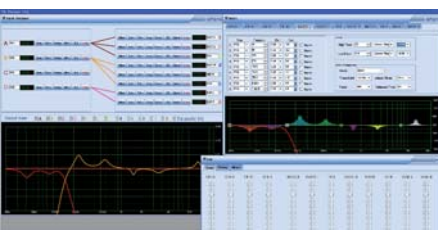
- 3 inputs / 6 outputs
- Dim. 483W x 44,5H x 265D mm / 2,96 Kg



HSL-48 DSP PROCESSOR

Technical specifications

- 4 inputs / 8 outputs
- DSP 32 bit
- Converts AN / NA: 96 kHz
- Software for PC
- USB + WIFI interface
- Rack 19" - 1U
- Dim. 483W x 44,5H x 265D mm / 2,99 Kg



HSL-48 Software

	HSL-24	HSL-36	HSL-48
	INPUTS		
Inputs	2	3	4
Gain	-40dB -> +12dB		
PEQ - low/HighShelf	7		8
Graphical Equalizer	NO		30 Bands
Phase Inversion	YES		
Delay	0 -> 20ms		0 -> 1000ms
	OUTPUTS		
Outputs	4	6	8
Gain	-40dB -> +12dB		
PEQ - low/HighShelf	6		9
Phase Inversion	YES		
Delay	0 -> 20ms		0 -> 1000ms
Compressor	NO		
Threshold (step 1dBu)	-10dBu -> +20dBu		-20dBu -> +22dBu
Attack Time (ms)	1 / 2 / 5 / 10 / 20 / 50 / 90		1 / 2 / 5 / 10 / 20 / 50 / 100
Release time	2X / 4X / 8X / 16X / 32X		
High Pass	Butterworth/Bessel/Linkwitz Riley (-12/-18/-24/-48dB)		
Low Pass	Butterworth/Bessel/Linkwitz Riley (-12/-18/-24/-48dB)		



AK SERIES



AK SERIES AMPLIFIERS

Specifications:

- Slew rate (@ 1 kHz, LPF by passed): > 10V/μs
- Sensitivity: 0.775V/1.4V
- THD: < 0.05%, 20 Hz - 20 kHz
- DIM30: = / < 0.35%
- Crosstalk (at 1 kHz / at 20 kHz): -75 dB / -58 dB
- Freq. response (1W): 20 Hz~20 kHz, +0/-1 dB

- Impedances:
 - Balanced: 20 kΩ / Unbalanced: 10 kΩ
 - Damping factor: (10 Hz - 400 Hz): > 200
 - Signal / Noise (weighted average 20 Hz - 20 kHz): > 100 dB
 - Power supply: AC~220-240V (50 Hz)
 - Protection against short-circuit
 - Dim. 482W x 227D x 88H mm / Wht: 7.15 Kg

REF	8 Ω POWER	4 Ω POWER	BRIDGE 8 Ω
AK2-500	2 x 500 W	2 x 800 W	1600 W
AK2-700	2 x 700 W	2 x 1000 W	2000 W
AK2-1000	2 x 1000 W	2 x 1400 W	2800 W
AK4-300	4 x 300 W	4 x 500 W	2 x 1000 W
AK4-700	4 x 700 W	4 x 1000 W	2 x 2000 W

EA SERIES AMPLIFIERS

Specifications:

- Slew rate (@ 1kHz, LPF by passed): 50V/μs
- Sensitivity: 1 Vrms
- THD: 0.05%
- DIM30: 0.05%
- Crosstalk (at 1 kHz / at 20 kHz): -70 dB
- Frequency response (1W): 0~2 dB
- Impedances:
 - Balanced: 20 kΩ / Unbalanced: 10kΩ
 - Damping factor: (10 Hz - 400 Hz) ≥ 200
 - Signal / Noise (weighted average 20 Hz - 20 kHz): ≥ 105 dB
 - Power supply: AC~100-240V (50-60 Hz)
 - Protection against short-circuit
 - Dim. 483W x 370D x 44H mm / Wht: 8.15 Kg

D CLASS AMPLIFIERS



REF	8 Ω POWER	4 Ω POWER	2 Ω POWER	BRIDGE 8 Ω	BRIDGE 4 Ω
EA-450	2 x 450 W	2 x 800 W	2 x 1400 W	1600 W	2800 W
EA-1000	2 x 1000 W	2 x 1700 W	2 x 2800 W	3200 W	5600 W
EA-2000	2 x 2000 W	2 x 3000 W	N/A	6400 W	N/A

MIRAGE SYSTEMS

MIB-8:

- LF 1 x 8" band Pass 6th order enclosure
- Baltic birch wood (varnished) or black/white finished polyurethane painting

- Passive Version:

- Input on Phoenix connector
- Power: 280 W AES / 560 W Progr. / 8 Ω
- Dim. H445 x D195 x W570 mm

- Active Version:

- 3-way amplified with integrated DSP
- Balanced stereo inputs on 2 x XLR
- 2 Amplified outputs for satellite speakers: 2 x Speakon connectors
- Dim. H445 x P195 x L620 mm

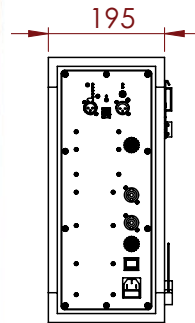


*For Phoenix versions the connectors are included.

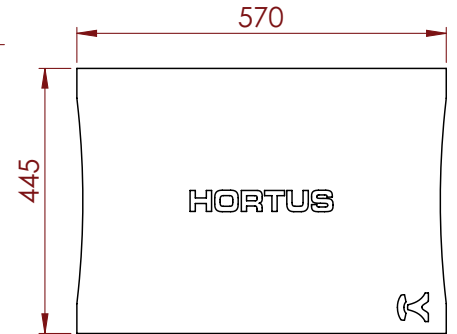
Satellite Speakers:

- MI-12:** HF 1 x 2" / 8 or 16 Ω, vented enclosure
 - AES Power: 10W / 20W program
 - Delivered with 1 m cable and fixing bracket (wood)

- MI-13:** HF 1 x 3" / 8 or 16 Ω, vented enclosure
 - AES Power: 20W / 40W program
 - Delivered with 1 m cable and 1 HO-RI-SR10



Wall Mounting Plate (included)



Passive version dimensions

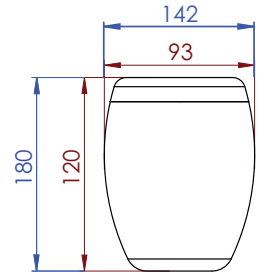


MI-12



MI-13

HO-RI-SR10



MI-12 / MI-13

Baltic birch wood varnished or black/white polyurethane painting



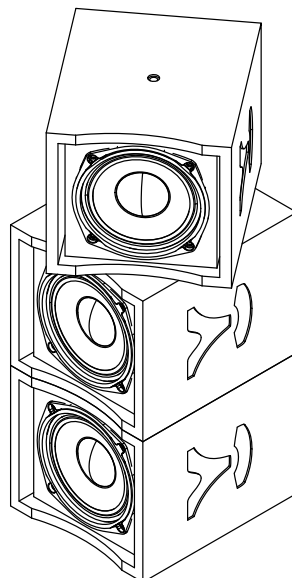
Q5 MULTIFUNCTIONAL CABINET / MINI MONITOR

- Power: 80 W AES / 160 W program
- Bandwidth (-6dB): 70 Hz to 18 KHz
- Sensitivity: 89 dB
- Directivity: 120°H x 120°V conical
- LF: 1 x HP 5" vented enclosure
- Connections: Phoenix
- Baltic birch wood 12 mm
- 1 x M10 + 2 x M6 (rear part for HO-RI-SR10)
- Dimensions: H174 x D220 x W189 mm, 4.2 Kg

Q5-PB Phoenix black 8 Ω

Q5-PW Phoenix white 8 Ω

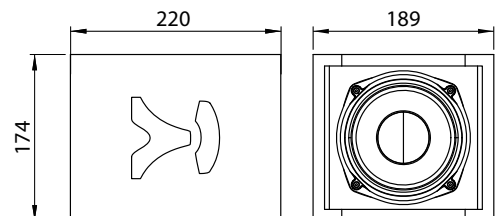
HO-RI-SR10 Aluminium wall mount optional



(Phoenix connectors included)



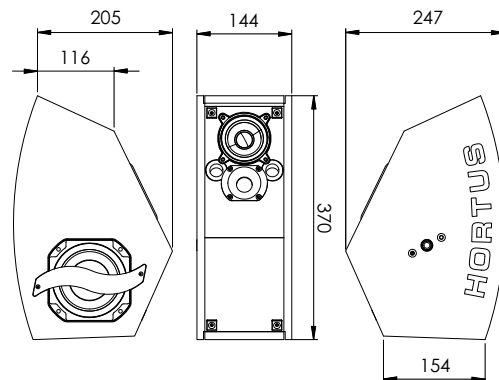
- Baltic birchwood varnished or black/white polyurethane painting



BZ5

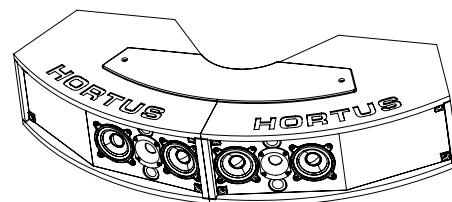
3-Way Full Range Speaker

- AES Power: 80 W / 8 Ω
- Bandwidth (-6dB): 90 Hz to 20 KHz
- Sensitivity: 88 dB / 1W @1m
- SPL MAX level: 107 dB
- Directivity (-6dB): 100° H x 60° V
- LF: 1 x 5" vented enclosure
- MF: 1 x 3" vented enclosure
- HF: 1 x 0.25" tweeter
- Connections: 2 Spk NL4 or Phoenix 4 pts
- Rigging: 1 x M10 (for bracket)
2 x M6 (for wall mounting ball)
1 x M6 (for safety chain)
- 12 mm baltic birch wood
- Finished polyurethane painting
- Dim. H370 x D247 x W144 mm / Wht 4.5 kg



- BZ5-PB** Phoenix Black
- BZ5-SB** Speakon Black
- BZ5-PW** Phoenix White
- BZ5-SW** Speakon White
- BZ5/*C** Colour (RAL) upon request

*For Phoenix versions all connectors are included.

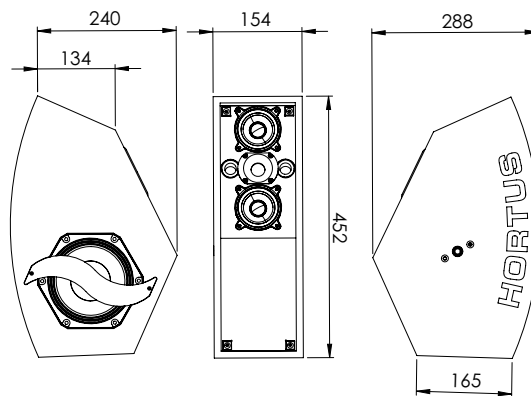


Black coupling plate for 2 x BZ
HO-RI-PC-BZ5 Coupling plate for BZ5
HO-RI-PC-BZ6 Coupling plate for BZ6

BZ6

3-Way Full Range Speaker

- AES Power: 100 W / 8 Ω
- Bandwidth (-6dB): 75 Hz to 20 KHz
- Sensitivity: 91 dB / 1W @1m
- SPL MAX level: 109 dB
- Directivity (-6dB): 100° H x 60° V
- LF: 1 x 6" vented enclosure
- MF: 2 x 3" vented enclosure
- HF: 1 x 0.25" tweeter
- Connections: 2 Spk NL4 or Phoenix 4 pts
- Rigging: 1 x M10 (for bracket)
2 x M6 (for wall mounting ball)
1 x M6 (for safety chain)
- 12 mm baltic birch wood
- Finished polyurethane painting
- Dim. H452 x D288 x W154 mm / Wht 5,15 kg



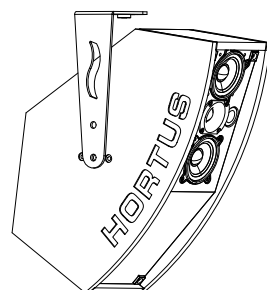
- BZ6/PB** Phoenix Black
- BZ6/SB** Speakon Black
- BZ6/PW** Phoenix White
- BZ6/SW** Speakon White

BZ6/*C Colour (RAL) upon request

*For Phoenix versions the connectors are included.



Ideally positioned parallel to a wall or used as a monitoring speaker.

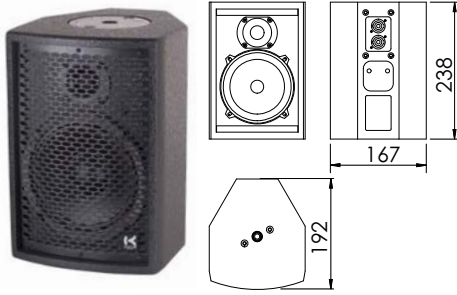


- OPTION:**
 Aluminium wall mount for BZ5/6 - CT6.1
 S6.1 - CT-15/30 - Q5
HO-RI-SR10B Black
HO-RI-SR10W White

OPTION: KIT WALL BRACKET + DIAL

- 1 Wall bracket
- 1 Plastic washer
- 1 Metal washer
- HO-RI-LY-BZ5** Black
- HO-RI-LY-BZ6** Black





CT15
2-Way Passive Speaker

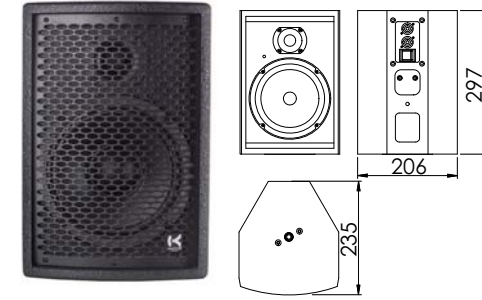
- Version 8 Ω: 120 W
- Version 16 Ω: 100W
- Bandwidth (-6dB): 85 Hz to 21kHz
- Sensitivity: 90 dB / 1W @1m
- SPL MAX level: 109 dB
- Directivity (-6dB): 70° H
- LMF: 1 x 5" closed enclosure
- HF: 1 x 0,25" neodym tweeter
- Rigging : 2 x M10 + 2 x M6
- 12 mm baltic birch wood
- Finished polyurethane painting
- Dim. H238 x D192 x W167 mm / 3,5 kg
- Phoenix Version:** 4 pts Phoenix + 2 x M10
- Speakon Version:** 2 Neutrik NL4MP

CT15-PB08 Phoenix 8 Ω Black
CT15-SB08 Speakon 8 Ω Black

CT15-PB16 Phoenix 16 Ω Black
CT15-SB16 Speakon 16 Ω Black

CT15-W** White

*For Phoenix versions all the connectors are included.



CT30MKII
2-Way Passive Speaker

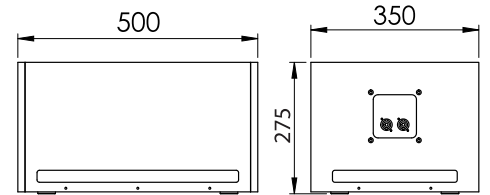
- Version 8 Ω: 150 W
- Version 16 Ω: 120W
- Bandwidth (-6dB): 65 Hz to 21 KHz
- Sensitivity: 91 dB / 1W @1m
- SPL MAX level: 111 dB
- Directivity (-6dB): 120° H
- LMF: 1 x 6" closed enclosure
- HF: 1 x 0,25" neodym tweeter
- 12 mm baltic birch wood
- Finished polyurethane painting
- Dim. : H297 x D235 x W206 mm / 4,5 kg
- Phoenix Version:** 4 pts Phoenix + 2 x M10
- Speakon Version:** 2 Neutrik NL4MP, flange 35 mm K&M + 1 x M10

CT30MKII-PB08 Phoenix 8 Ω Black
CT30MKII-SB08 Speakon 8 Ω Black

CT30MKII-PB16 Phoenix 16 Ω Black
CT30MKII-SB16 Speakon 16 Ω Black

CT30MKII-W** White

OPTION: Aluminium wall mount for CT-15/30
HO-RI-SR10B Black
HO-RI-SR10W White



CT50S
12" Bass Cabinet

- RMS Power: 350 W / 8 Ω
- Bandwidth (-6dB): 35 Hz to 120 Hz
- Sensitivity: 99 dB / 1W @1m
- SPL MAX level: 120 dB
- Directivity: omnidirectional
- LF: 1 x 12" vented enclosure
- Connections: 2 Speakon NL4MP
- 15 mm baltic birch wood
- Finished polyurethane painting
- Dim. H275 x D350 x W500 mm / 16 kg



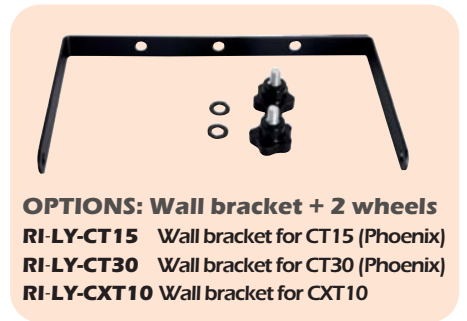
3-Way passive system

CXT10
Coaxial 2-way Passive Cabinet

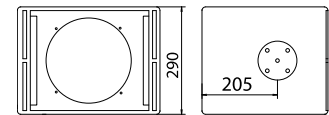
- RMS Power: 175 W / 8 Ω
- Bandwidth (-6dB): 80 Hz to 20 KHz
- Sensitivity: 95 dB / 1W @1m
- SPL MAX level: 116 dB
- Directivity (-6dB): 70° conical
- LF: 1 x 10" vented enclosure
- HF: 1 coaxial speaker 1"
- Rigging: flange 35 mm + 2 interchangeable sockets M10/20
- Connections: 2 Speakon NL4MP
- 15 mm MDF
- Finished polyurethane painting
- Dim. H290 x D350 x W390 mm / 17 kg

CXT15B
Bass Cabinet with built-in passive crossover

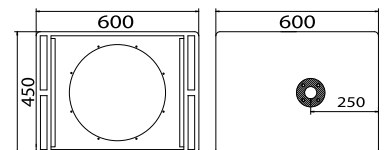
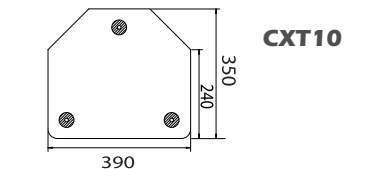
- RMS Power: 275 W / 8 Ω
- Bandwidth: (-6dB) : 50 Hz to 150 Hz
- Sensitivity: 101 dB / 1W @1m
- SPL MAX level: 126 dB
- Directivity (-6dB): omnidirectional
- LF : 1 x 15" vented enclosure
- Connections: input on 2 Speakon NL4 + 1 output on NL4MP for 1 x CXT10
- Rigging: 1 flange 35 mm K&M
- 15/18 mm MDF
- Finished polyurethane painting
- Dim. H450 x D600 x W600 mm / 35 kg



OPTIONS: Wall bracket + 2 wheels
RI-LY-CT15 Wall bracket for CT15 (Phoenix)
RI-LY-CT30 Wall bracket for CT30 (Phoenix)
RI-LY-CXT10 Wall bracket for CXT10



CXT10



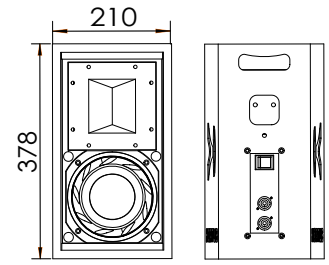
CXT15B

S6.1

2-Way Passive Speaker

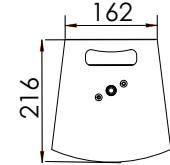
- AES Power: 200 W / 8 Ω (or 16 Ω upon request)
- Bandwidth (-6dB): 100 Hz - 20 kHz
- Sensitivity: 92,5 dB / 1W @1m
- SPL MAX level: 115 dB
- Directivity (-6dB): 90° H x 90° V
- LMF: 1 x 6,5" vented enclosure
- HF: Compression 1"
- 12 mm baltic birch wood
- Finished polyurethane painting
- Dim. H378 x D216 x W210 mm / Wht: 7 kg

- Phoenix Version:** 4 pins Phoenix & 2 x M10
- Speakon Version:** 2 Neutrik Speakon NL4MP
- Socket ø 35 mm K&M + 1 x M10

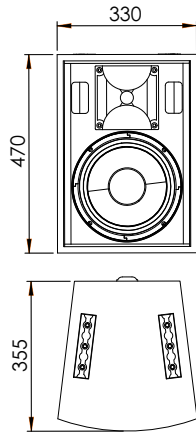


Passive Version 8 Ω
S.1-PB08 Phoenix, Black
S6.1-SB08 Speakon, Black

Also available in white
RI-LYS6.1 Wall Bracket (Phoenix version only)
HO-RI-SR10 Aluminium wall mount
FC-6S6.1 Flight case for 6 x S6.1



*For Phoenix versions all the connectors are included.

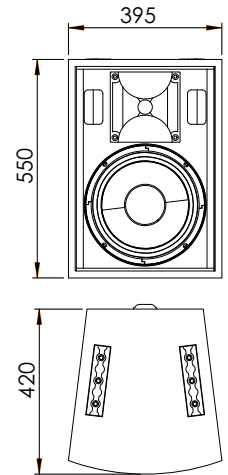


S10.1 MKII

2-Way Passive Speaker

- AES Power: 250 W / 8 Ω
- Bandwidth (-6dB): 85 Hz - 20 kHz
- Sensitivity: 98 dB / 1W @1m
- SPL MAX level: 122 dB
- Directivity (-6dB): 90° H x 90° V
- LF: 1 x 10" vented enclosure
- HF: Compression 1"

- Connections: 2 Speakon NL4MP
- Rigging: F socket. ø 35mm + 2 x Rails type aerodeck + 1 x Single stud (rear)
- 15 mm baltic birch wood
- Finished polyurethane painting
- Dim. H470 x D355 x W330, 17 kg



S12.1 MKII

2-Way Passive Speaker

- AES Power: 350 W / 8 Ω
- Bandwidth (-6dB): 85 Hz - 19 kHz
- Sensitivity: 99 dB / 1W @1m
- SPL MAX level: 126 dB
- Directivity (-6dB): 90° H x 90° V
- LF: 1 x 12" vented enclosure
- HF: Compression 1"

- Connections: 2 Speakon NL4MP
- Rigging: Fem. socket. ø 35mm, 2 x Rails type aerodeck (top) 1 x Single stud (rear)
- 15 mm baltic birch wood
- Finished polyurethane painting
- Dim. H550 x D420 x W395, 24 kg



Option HO-RI-SR10 (black or white)
Aluminium wall mount for S6.1 & CT-6.1



HO-RI-PAS HO-RI-PAD

Option: Stud ring fitting for S10.1MKII / S12.1MKII / MP15
HO-RI-PAS Single
HO-RI-PAD Double

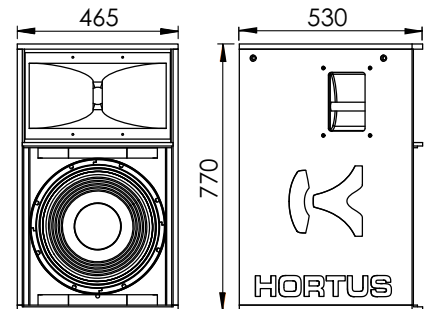


ø 35mm
EU-03433
Adjustable wall mount (option)

MP15 & MP15C (CLUBBING VERSION)

2-Way Passive Speaker (without amplifier)

- Requires 2 amplification channels
- **MP15:** AES LF Power: 500 W / HF: 110 W / 8 Ω
- **MP15C:** AES LF Power: 450 W / HF: 70 W / 8 Ω
- Bandwidth LF (-6dB): 70 Hz - 1,6 kHz
- Bandwidth HF (-6dB): 800 Hz - 20 kHz
- Sensitivity LF: 99 dB / 1W @1m
- Sensitivity HF: 108 dB / 1W @1m
- SPL MAX LF level: 128 dB / HF: 130 dB
- Directivity (-6dB): 60° H x 40° V
- LF: 1 x 15" vented enclosure
- HF: Compression 2"
- Connections: 2 Speakon NL4MP
- Rigging: 2 x Rails type aerodeck (rear) 4 x Fixing points M10 (top)
- 15 mm baltic birch wood
- Finished polyurethane black painting
- Dim. H770 x D530 x W465 mm / Wht: 41 kg



MP15 (Black foam on front panel)
MP15: Passive Bi-amp
MP15/P: Passive (Integrated Crossover)
SK-MP15: Wheel board (MP15)

MP15C (Orange, black or grey horn)
MP15C: Passive Bi-amp
MP15C/P: Passive (Integrated Crossover)

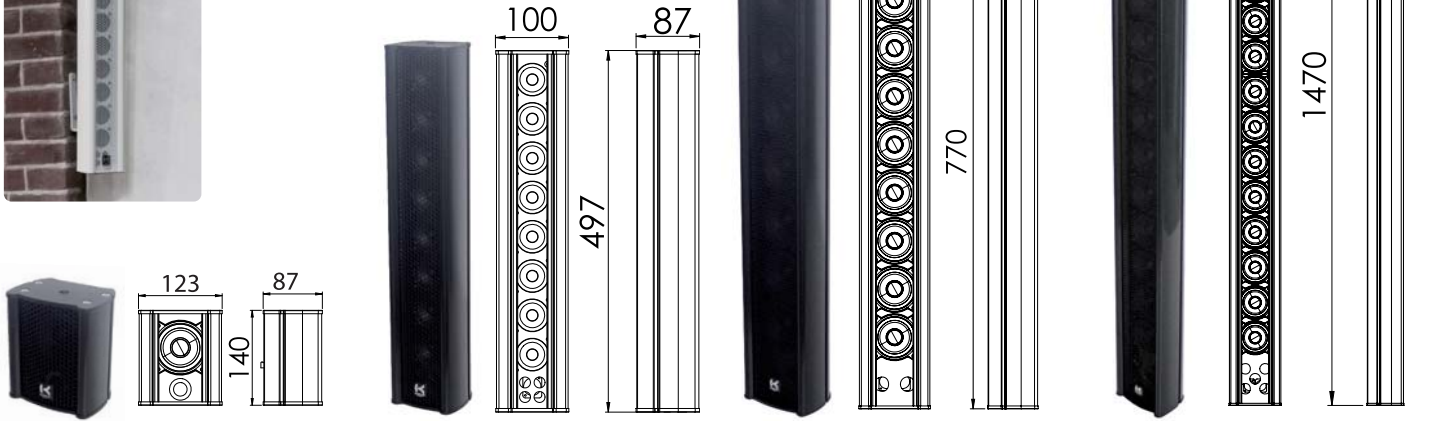


MICROMAX SERIES

Common technical specifications for the columns:

- Bandwidth (-6dB): 180 Hz to 18 kHz
- Made of extruded aluminium + aluminium sheets
- Black or white powder coated
- 4 fixing points on the rear for a wall mount (optional)
- 1 fixing point for safety cable
- 2 fixing points M10 (top & bottom)

*For Phoenix versions all connectors are included.



CLA18

1 x 3" Loudspeaker column

- 40 W / 8 Ω (preset DSP)
- Directivity (-6dB): 60° V
- Connections: 1 Phoenix
- Dim. H140 x D87,3 x W123,4mm
- Wht: 0.8 kg

CLA85

8 x 2" Loudspeaker column

- 250 W / 4 Ω (preset DSP)
- Directivity (-6dB): 35° V
- Connections: 1 Phoenix + 1 Spk
- Dim. H497 x D87 x W100 mm
- Wht: 2.5 kg

CLA88

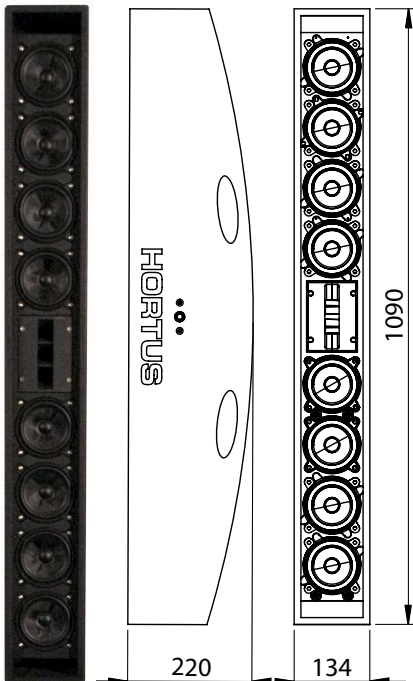
8 x 3" Loudspeaker column

- 350 W / 8 Ω (preset DSP) (4 or 16 Ω upon request)
- Directivity (-6dB): 30° V
- Connections: 1 Phoenix + 2 Spk
- Dim. H770 x D87 x W123 mm
- Wht: 4.2 kg

CLA168

16 x 3" Loudspeaker column

- 700 W / 8 Ω (preset DSP) (4 or 16 Ω upon request)
- Directivity (-6dB): 30° V
- Connections: 1 Phoenix + 2 Spk
- Dim. H1470 x D87 x W123 mm
- Wht: 8.4 kg



- Options:
Tilt adjustable wall mount HO-RI-SR20 or Tilt ø35 mm stand adapter KM-19780

ASSOCIATED BASS CABINETS:

- CLA18 ⇔ MIB08
- CLA85 ⇔ CBA10
- CLA88 ⇔ CBA12
- CLA168 ⇔ CBA12
- CLA810 ⇔ CBA15



CLA810

8 x 4" Loudspeaker Column + compression 1"

- 500 W / 8 Ω (preset DSP)
- Freq. Response (-3dB): 140 Hz-18 kHz
- Baltic birch wood
- Directivity: 120° H x 25° V
- Finished polyurethane painting
- H1090 x D220 x W134 mm / 10 Kg



FC-2CLA810 (29 Kg)



Column options



HO-RI-SR20(B/W)
Black or white tilt-and-swivel wall mount for CLA-810
SOUND LIGHT SPAIN



KM-19780
KIT: black tilt ø35 mm stand adapter + black adaptation plate



KM-24356



EU-01424
Black foot plate ø35 mm



EU-01480
Adjustable wall mount
- Wall plate: W105 x H120 mm
- Length: 170 mm
- Max load: 10 Kg / Wht: 0.8 Kg
- Rotation: 0 - 360° / Tilt: 0 - 90°



EU-00555
Adjustable black wall mount for CLA 85 / 88 / 168

Socket for M20 tube



**CBA10
BASS CABINET**

- LF: 1 x 10" band pass 6th order enclosure
- Bandwidth (-6dB): 55 Hz to 220 Hz
- Directivity: 180° cardioid
- Rigging: 1 socket for tube M20
- 18 mm baltic birch wood
- Dim. H377 x D400 x W430 mm / Wht: 20 Kg

Flight-case MICROMAX8:
For 2 x CBA-12 and 2 x CLA-88
- H640 x D1050 x W880 mm
- Weight: 44 Kg / 0,59 m³

**FC-2CBA10/2CLA85
FC-2CBA12/2CLA88**

**CBA12
BASS CABINET**

- LF: 1 x 12" band pass 6th order enclosure
- Bandwidth (-6dB): 50 Hz to 220 Hz
- Directivity: 180° cardioid
- Rigging: 1 socket for tube M20
- 18 mm baltic birch wood
- Dim. H447 x D460 x W450mm / Wht: 27 Kg

CBA10P - Passive
350 W AES / 8 Ω / Speakon 4 pts.

CBA10M - Mono amplified
2-way 750 W + 250 W + DSP

CBA10S - Stereo amplified
3-way 750 W + 2 x 250 W+ DSP



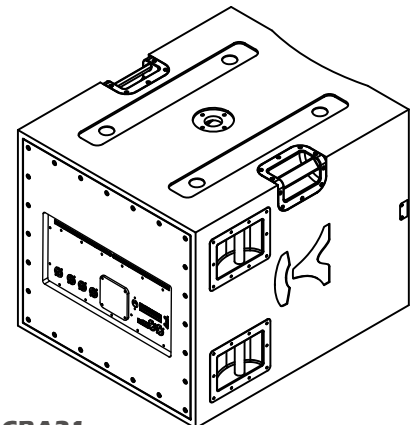
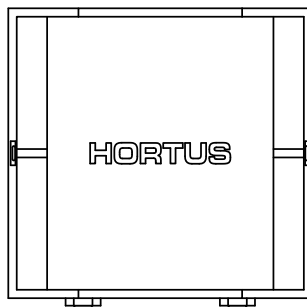
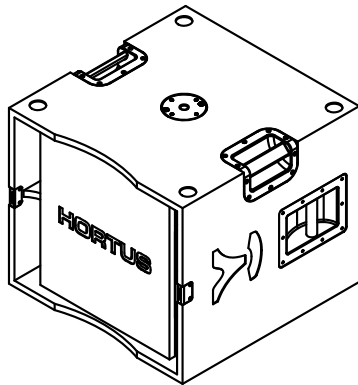
Amplified Versions (CBA10 & 12):

- Power: 2 x Powercon In/Out
- Pascal Audio amplifier
- «All DSP» with ethernet

CBA12P - Passive
700 W AES / 8 Ω / Speakon 4 pts.

CBA12M - Mono amplified
2-way 1000 W + 250 W + DSP

CBA12S - Stereo amplified
3-way 1000 W + 2 x 250 W + DSP



CBA15

- LF: 1 x 15" band pass 6th order enclosure
- Bandwidth (-6dB): 40 Hz to 220 Hz
- Directivity: 180° cardioid
- Rigging: 1 socket for tube M20
- 18 mm baltic birch wood
- Dim. H507 x D580 x W570 mm

CBA18

- LF: 1 x 18" band pass 6th order enclosure
- Bandwidth (-6dB): 30 Hz to 220 Hz
- Directivity: 180° cardioid
- Rigging: 1 socket for tube M20
- 18 mm baltic birch wood
- Dim. H620 x D780 x W648 mm

CBA21

- LF: 1 x 21" band pass 6th order enclosure
- Bandwidth (-6dB): 25 Hz to 220 Hz
- Directivity: 180° cardioid
- Rigging: 1 socket for tube M20
- 21 mm baltic birch wood
- Dim. H700 x D860 x W730 mm

CBA15P: Passive Bass Cabinet

- 1500 W AES / 8 Ω / Speakon 4 pts

CBA18P: Passive Bass Cabinet

- 1600 W AES / 8 Ω / Speakon 4 pts

CBA21P: Passive Bass Cabinet

- 1800 W AES / 8 Ω / Speakon 4 pts

CBA15S: Stereo Version, amp. 3-ways (DSP)

- 1500 W AES + 2 x 400 W / 8 Ω

CBA18S: Stereo Version, amp. 3-ways (DSP)

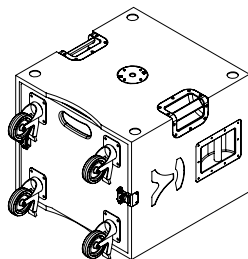
- 1500 W AES + 2 x 400 W / 8 Ω

CBA21S: Stereo Version, amp. 3-ways (DSP)

- 1500 W AES + 2 x 400 W / 8 Ω

**Bass: 1500W @ 8 Ohms
2500W @ 4 Ohms
(with second passive bass cabinet)**

**Stereo Out L & R:
2 x 800W @ 4 Ohms
2 x 400 W @ 8 Ohms**

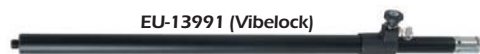


HO-SK-CBA15: Wheel board + 4 Guitel braked wheels

HO-SK-CBA18: Wheel board + 4 Guitel braked wheels

HO-SK-CBA21: Wheel board + 4 Guitel braked wheels

EU-13991 (Vibelock)



EU-01282 Tube ø35 mm & M20

EU-13991 Tube ø35 mm & M20

Amplified Versions:

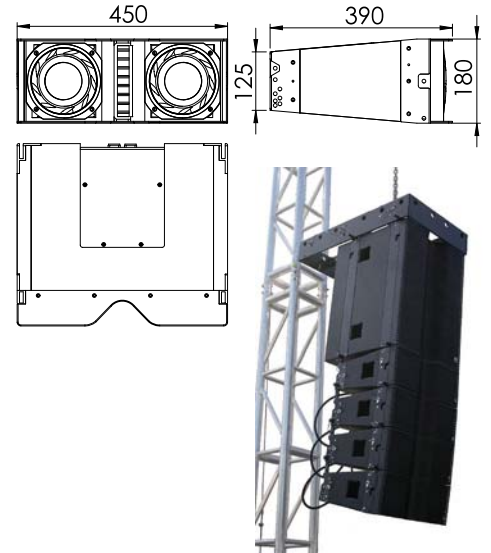
- Power: 2 x Powercon In/out
- 3-way Pascal Audio amplifier
- «All DSP» with ethernet & USB connections
- LCD Display & menu button for local settings
- Amplified L & R outputs on speakon 4 pins
- Amplified output (Speakon) for slave passive bass cabinet (Spk 4 pins).



LVT-6

2-Way Passive Line Array

- AES Power: LF 400 W / HF 80 W / 16 Ω
- Bandwidth (-6dB): 180 Hz to 20 KHz
- Sensitivity: LF : 100 dB / 1W @1m
HF: 108 dB / 1W @1m
- SPL MAX level: 123 dB
- Directivity (-6dB): 100° H
Intercabinet angle adjustments from 0° to 10° in clip steps
- Angles: 0° / 0.75° / 1.75° / 3° / 4.5° / 6.5° / 10°
- MF: 2 x 6,5" vented enclosure
- HF: 1 x 1,4" compression
- Connections: 2 Speakon NL4MP
- Rigging integral 4 points flying system
- 15/30 mm baltic birch wood
- Finished polyurethane painting
- Dim. H180 x D390 x W450 mm / Wht 16 kg

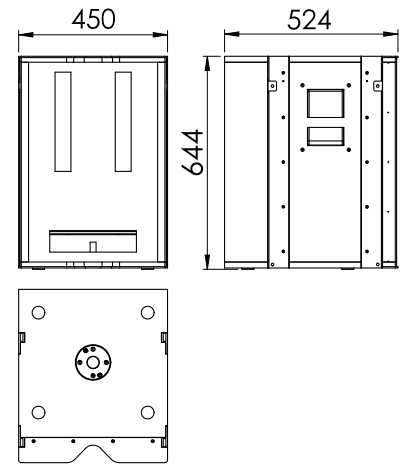


- LVT-6-P:** Passive 1-way with integrated crossover
- FC-4LVT6:** Flight case for 4 x LVT-6 (optional)

LVT-15

Bass Cabinet for LVT-6

- AES Power: 1000 W / 8 Ω
- Bandwidth (-6dB): 40 Hz to 300 Hz
- Sensitivity: 97 dB / 1W @1m
- SPL MAX Level: 127 dB
- Directivity: 180° cardioid
- LF: 1 x 15" band pass 6th order enclosure
- Rigging Integral 4 points flying system
- Connections: 2 Speakon NL4MP
- 15/30 mm baltic birch wood
- Finished polyurethane painting
- Dim. H644 x D524 x W450 mm / Wht 47 kg



- FC-1LVT15:** Flight case for 1 x LVT-15 (optional)
- FC-2LVT15:** Flight case for 2 x LVT-15 (optional)

Options:



- RI-BP-LVT:** Bumper for LVT6/15
- Black aluminium supplied with 8 pins
- Dim. H120 x D770 x W472 mm / Wht: 13 Kg



- HO-SK-LVT15:** Wheel board for lvt15 with 4 Guitel braked wheels
- Dim. H160 x D525 x W450 mm / 10 Kg

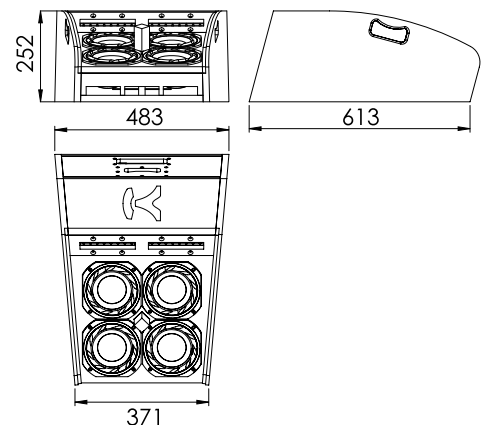


- Flight case:** Phenol 9 mm, Guitel braked wheels
- Dim. H580 x D900 x W640 mm / 44 Kg / LVT-6
- Dim. H580 x D880 x W570 mm / 30 Kg / LVT-15

LVT-465

Stage Monitor - 2-Way Line Array

- AES Power: 950 W / 8 Ω
- LF: 4 x Neodym 6,5" loudspeakers
- HF: 2 x 1,4" compressions
- Connections: 2 Speakon NL4MP
- 18 mm baltic birch wood
- Finished polyurethane painting
- Dim. H252 x D613 x W483 mm / 24 kg



- FC-2LVT465:** Flight case for 2 x LVT-465 (optional)



- 18/30 mm baltic birch wood
- Finished polyurethane painting
- H180 x D560 x W450 mm



Protective cover

**Amplifies up to
2 x LVT15 + 8 x LVT6**

LVT-AMP

Amplifier specifically dedicated to the (LVT6/15) line array system

- 12 channels processed by DSP, 10 of which are amplified channels
- 2 x 1500W at 8 Ω / 4 x 1000W at 8 Ω / 4 x 250W at 8 Ω
- Maximum power: 8000W RMS

Two possible configurations:

1. Mono: 2 x LVT15 + 8 x LVT6
2. Stereo: 2 x (1 x LVT15 + 4 x LVT6)

Input

- 2 x XLR IN + LINK
- 1 x AES IN + LINK

Output

- 2 x supplementary XLR OUT for, e.g. an additional SUB processed by DSP
- 2 x SPK OUT (2 points) – LVT15
- 4 x SPK OUT (4 points) – LVT6

Power supply

- 2 x Powercon 220v/240v



FC-2LVTAMP

Flight case for 2 x LVT-AMP upon request



Rigging integral 4 points flying system
100% mounting compatibility with the Hortus Audio LVT series



Powered by Pascal
Processed by ALLDSP

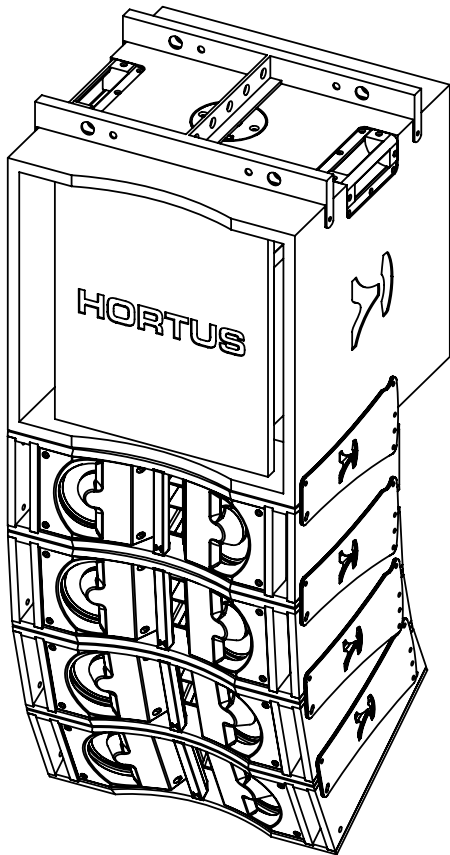


Connection to the DSP
Wired connection: USB + RJ45 ethernet
Wireless connection: WIFI



LVT-5 - MINI LINE ARRAY

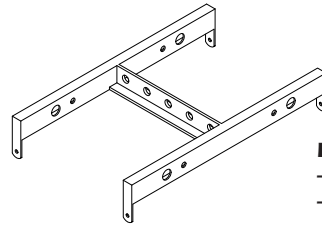
- AES Power: 320 W (Program: 600 W)
- MF: 2 x 5"
- HF: compression 1"
- Passive filter
- Impedance: 16 Ω
- Bandwidth (-6dB): 180 Hz to 20 Khz
- SPL (measured): 122 dB
- SPL (peak): 125 dB
- Directivity: 100° H x 15° V
- Baltic birch wood
- Black polyurethane painting (2 layers)
- Dimensions: H160 x D310 x W450 mm



SYSTEM SPECIFICATIONS

PACK: 1 CBA-12L + 4 x LVT-5

- LF: 1000 W RMS
- MF + HF: 500 W RMS
- Integrated amplifier and DSP
- Bandwidth (-6dB): 45 Hz to 20 Khz
- SPL (measured): 127 dB
- SPL (peak): 130 dB



HO-RI-BP-LVT5

- Bumper
- Dim. 457 x 281 x 75 mm



HO-RI-PC-LVT5

- Coupling Plate

CBA12LP: Passive bass cabinet
700 W AES / 8 Ω / Speakon 4 pts

CBA12LM: Mono version
DSP 2-way amplified: **1000W + 250W**

CBA12LM2: Mono version
DSP 2-way amplified: **1000W + 2 x 250W**

CBA12LS: Stereo version
DSP 3-way amplified: **1000W + 2 x 250W**



ALLDSP

PASCAL



LVT-128 - LINE ARRAY

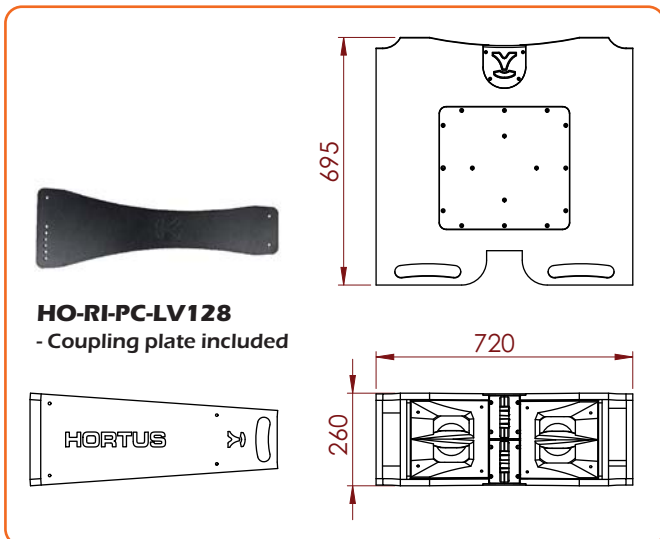
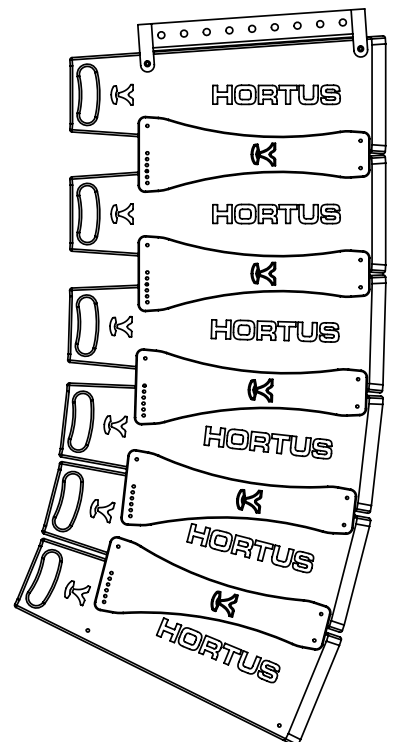
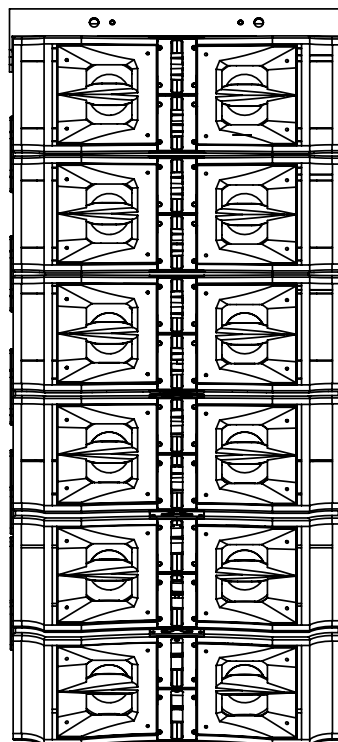
Specifications :

- 2-way amplified with integrated DSP
- RMS power: 1500W (LF) + 800W (MF + HF)
- **LF:** 1 x 12" band Pass 6th order enclosure
- **MF:** 2 x 8" vented enclosure
- **HF:** 2 x 1" compressions
- SPL nominal level: 135dB
- Bandwidth (+/-3dB): 60 Hz - 18kHz
- Directivity: 100° H
- Baltic birch wood
- Black polyurethane painting (2 layers)
- Dimensions: H260 x D695 x W720 mm, 42 kg

LVT-128P:

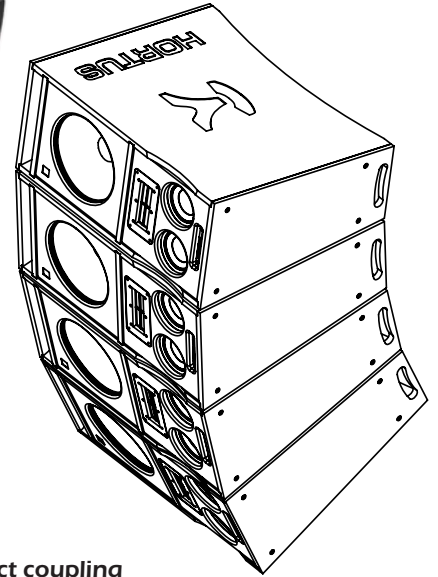
2-way passive version available upon request

The LVT-128 phase correlation system allows for increasing the cut-off frequency limit of the mid-range speakers. This results in significant improvements for the reproduction of frequency responses. The sound quality is further strengthened by the integrated digital signal processor (DSP).





3-Way full range - active or passive hybrid system adapted to horizontal or vertical installation



CHRYSALIS

- Bandwidth (-6dB): 50 Hz to 20 KHz
- SPL (Measured): 123 dB / SPL (Peak): 126 dB
- Directivity: 100° H x 60° V
- Passive filter (MF/HF)
- 35 mm diameter stand socket
- Baltic birch wood
- 2 Layers of black polyurethane painting
- Dim. H659 x D577 x W303 mm

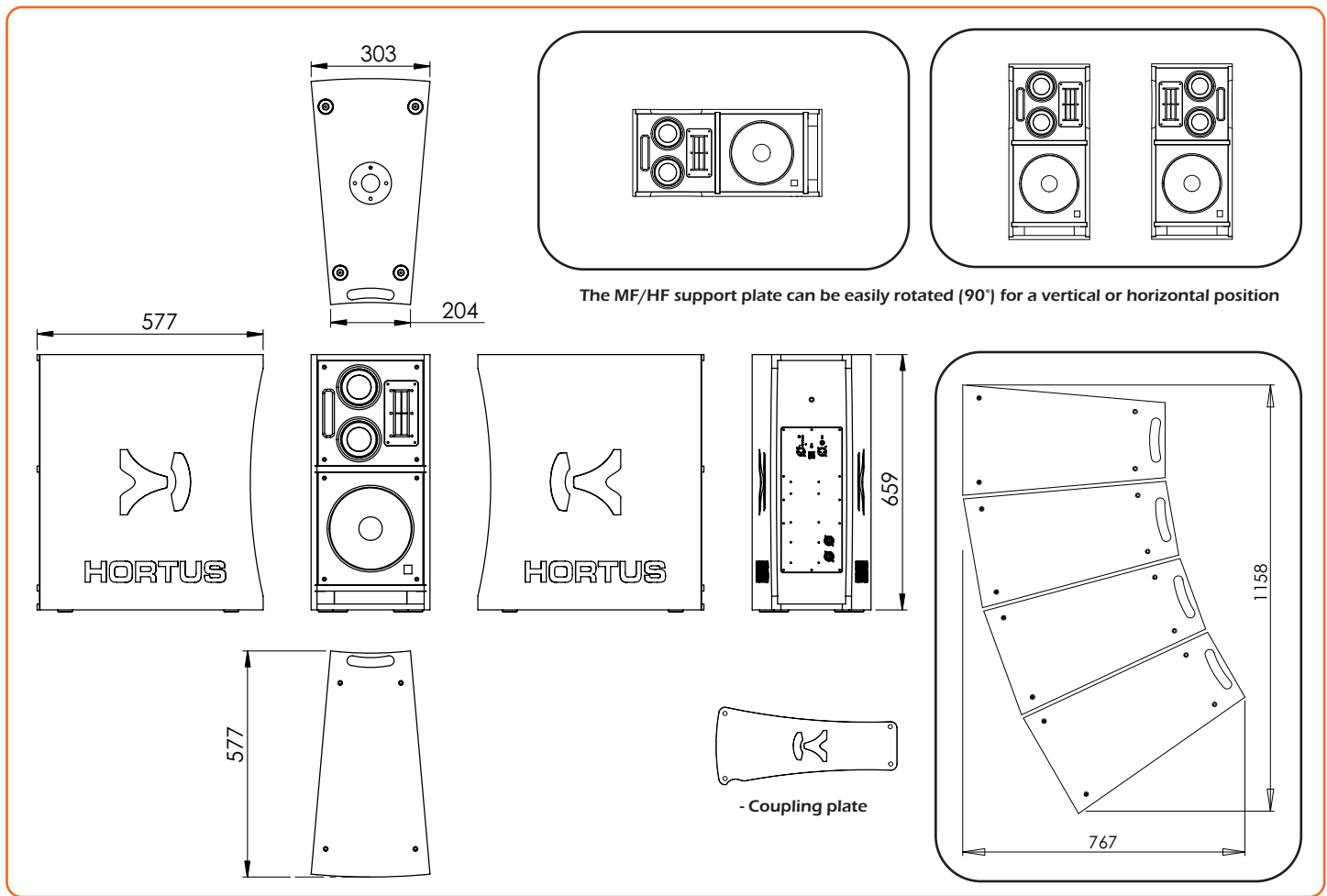
HO-CSL10P: 2-Way passive

HO-CSL10M: Amplified + DSP

- Power supply: 2 x Powercon In/Out
- Pascal Audio amplification + DSP ethernet connection
- 2-Way 500 + 250 W amplified
- Inputs on male and female XLR

- Direct coupling
- Pre-established angulation

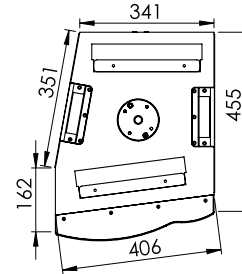
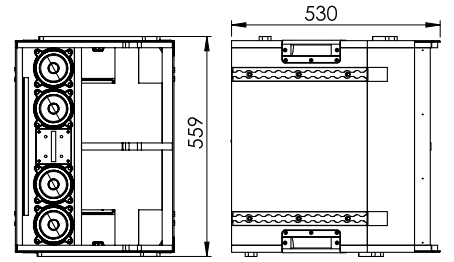
- LF: 1 x 10"
- MF: 2 x 5"
- HF: Ribbon tweeter



EVO-12

Full Range System - Line Source

- Power: LF: 1000 W + HF: 250 W
- Bandwidth (-6dB): 50 Hz to 18 KHz
- Sensibility: 90 dB / 1W @1m
- SPL MAX level: 120 dB @2m
- Directivity (-6dB): 90° H x 40° V
- Horizontal coupling coverage for 2 EVO12: 120°
- LF: 1 x 12" band pass 6th order enclosure
- MF: 4 x 4" vented enclosure
- HF: 1 x compression 1" + waveguide
- Rigging: 2 x interchangeable M10/20 sockets,
- 4 x aerodeck type rails - 4 x transport handles
- 18/30 mm baltic birch wood
- Finished polyurethane painting
- Dim. H559 x D530 x W406 mm
- Wht: 27 kg (passive) / 30 kg (active)



1250 W Passive Version:

- 2-Way 1000 W + 250 W / 8 Ω
- Connections: 2 Speakon NL4MP
- To be used with Hortus EVO12P presets

1250 W Active Version:

- Pascal Audio 1000W + 250W amplification
- DSP by All DSP
- RJ45 Port for programming
- In/Link on XLR 3 pins
- Power Supply Powercon in/out



FC-2EVO12: Flight case for 2 EVO-12 (optional)



EU-01424
Black socket 35 mm & M10

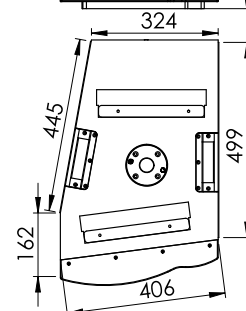
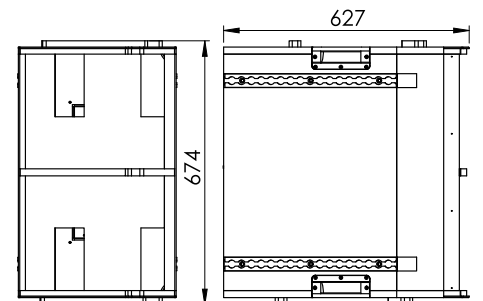


Stud ring fitting:
HO-RI-PAS Simple
HO-RI-PAD Double

EVO-15B

Bass Cabinet for EVO-12

- AES Power: 1000 W / 8 Ω
- Bandwidth (-6dB): 37 Hz to 200 Hz
- Sensitivity: 90 dB /1W @1m
- SPL level: 127 dB @1m
- SPL MAX level: 130 dB @1m
- Directivity: 180° cardioid
- LF: 1 x 15" band pass 6th order enclosure
- Rigging: 1 socket diam. 35 mm,
- 4 x aerodeck type rails - 4 x transport handles
- 18/30 mm baltic birch wood
- Finished polyurethane painting
- Dim. H674 x D627 x W406 mm / 43 Kg



Passive Version:

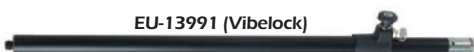
- AES Power: 1000 W / 8 Ω
- Connections: 2 Speakon NL4MP
- To be used with Hortus EVO-15P presets

Active Version:

- Pascal Audio 1000 W amplification
- DSP by All DSP
- Port RJ45 for programming
- In/Link on XLR 3 pins
- Powercon in/out Power supply



FC-2EVO15B: Flight case for 2 EVO-15B (optional)

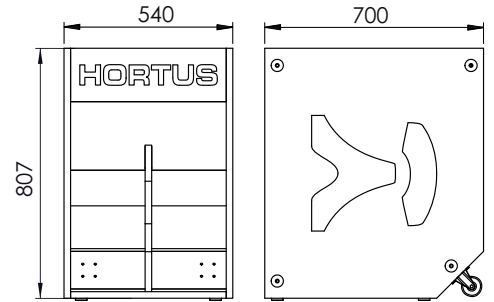


EU-01282 Tube ø35 mm & M20 (optional)
EU-13991 Tube ø35 mm & M20 (optional)

BW118

High Efficiency Subwoofer

- Power: 1000 W AES / 8 Ω
- Bandwidth (-6dB): 65 Hz to 250 Hz
- Sensitivity: 102 dB / 1W @1m
- SPL MAX Level: 132 dB
- Directivity: 180° cardioid
- LF: 1 x 18" exponential horn
- Connections: 2 Speakon NL4MP
- 2 transport handles
- 21 mm Baltic Birch Wood
- Finished polyurethane painting
- Dimensions: H807 x D700 x W540 mm
- Wht: 54 Kg

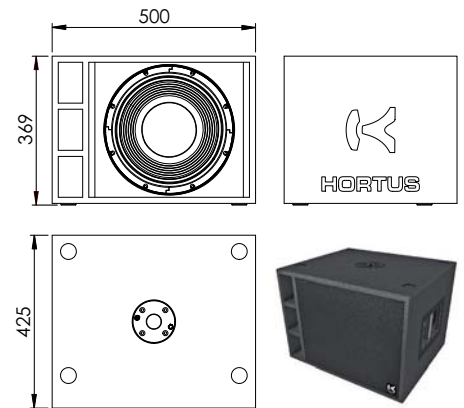


Optional transport wheels

MB1

Passive Bass Cabinet

- AES Power: 700 W / 8 Ω
- Bandwidth (-6dB): 45 Hz to 300 Hz
- Sensitivity: 97 dB / 1W @1m
- SPL MAX Level: 128 dB
- Directivity: omnidirectional
- LF: 1 x 12" vented enclosure
- Connections: 2 speakon NL4MP
- Rigging: 1 socket for diam. 35 mm tube
- 15/18 mm baltic birch wood
- Finished polyurethane painting
- Dim. H369 x D425 x W500 mm
- Wht: 22 kg

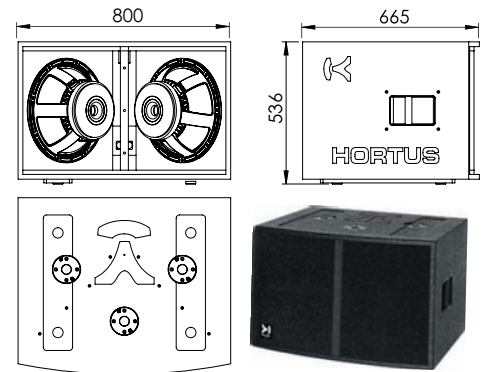


EU-03439 Telescopic black tube - max 30 Kg / 83,5 to 143 cm / ø35 mm
EU-13970 Telescopic black tube - max 30 Kg / 90,5 to 160,5 cm / ø35 mm

C2 MKII

Passive Bass Cabinet

- AES Power: 1 400 W / 4 Ω
- Bandwidth (-6dB): 45 Hz to 250 Hz
- Sensitivity: 103 dB / 1W @1m
- SPL MAX Level: 134 dB
- Directivity: 180° cardioid
- LF: 2 x 15" vented enclosure
- Connections: 2 speakon NL4MP
- Rigging: 3 sockets for ø35 mm tube
- 15/18 mm baltic birch wood
- Finished polyurethane painting
- Dim. H536 x D665 x W800 mm
- Wht: 65 kg

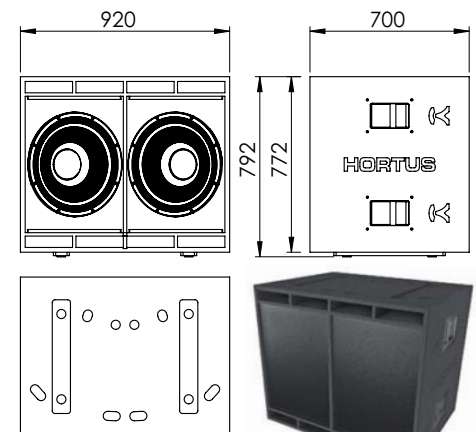


Option FLY-7004: 4 Guitel braked wheels

MP218 & MP218C (CLUBBING VERSION)

Passive Bass Cabinet

- AES Power: 2000 W / 4 Ω
- Bandwidth (-6dB): 30 Hz to 150 Hz
- Sensitivity: 102 dB / 1W @1m
- SPL MAX Level: 135 dB
- Directivity: omnidirectional
- LF: 2 x 18" vented enclosure
- Connections: 2 speakon NL4MP
- Rigging: 4 x aerodeck type rails
- 21 mm baltic birch wood
- Finished polyurethane painting
- Dim. H792 x D700 x W920 mm
- Wht: 88 kg



- Stud Ring Fitting:
- HO-RI-PAS** Simple
- HO-RI-PAD** Double



Option SK-MP218: Wheel board with 4 wheels

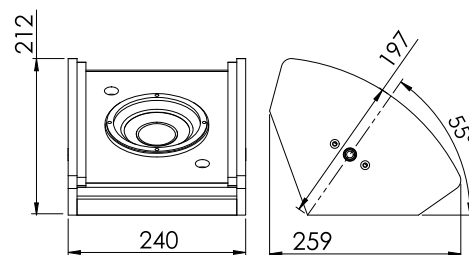
SAM-5

5" Coaxial speaker PA system & floor monitor

- AES Power: 80 W / 8 Ω
- Bandwidth (-6dB): 65 Hz to 20 kHz
- Sensitivity: 90 dB / 1W @1m
- SPL MAX level: 110 dB
- Directivity (-6dB): 90° conical
- LMF: 1 x 5" vented enclosure
- HF: 1" coaxial compression
- Rigging: 2 x M10 inserts
- Connections: 2 speakon NL4MP
- 12 mm baltic birch wood
- Finished polyurethane painting
- Dimensions: H212 x D259 x W240 mm / 5 kg



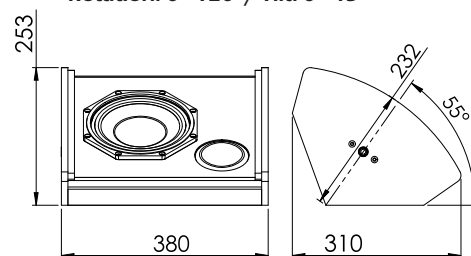
SAM5/B Black passive
SAM5/W White passive
RI-LY-SAM5 Wall bracket



Option:

EU-03433

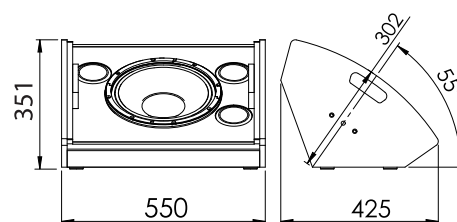
- Adjustable wall support
- Arm: W320 x H120 x ø 35 mm
 - Wall plate: W140 x H250 mm
 - Max load: 40 Kg / Wht: 2.1kg
 - Rotation: 0 - 120° / Tilt: 0 - 45°



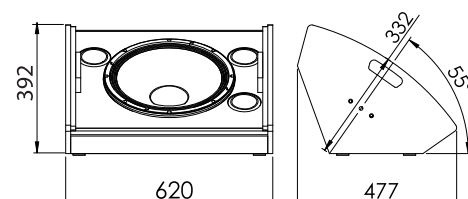
Option:

EU-00498

- Adjustable wall support
- Wall Plate: W260 x H120 mm
 - Arm: W180 to 260 x H110 x ø 35 mm
 - Max load: 40 Kg / Wht: 2.3 Kg
 - Rotation: 0 - 120° / Tilt: 0 - 45°



SAM-12 & 15 Bracket (option)



SAM-8

8" Coaxial speaker PA system & floor monitor

- AES 250 W Power / 8 Ω
- Bandwidth (-6dB): 60 Hz to 20 kHz
- Sensitivity: 96 dB / 1W @1m
- SPL MAX level: 123 dB
- Directivity (-6dB): 100° conical
- LMF: 1 x 8" vented enclosure
- HF: 1" coaxial compression
- Rigging: Insert M10 + Fem. socket ø 35 mm
- 12 mm baltic birch wood
- Finished polyurethane painting
- Dimensions: H253 x D310 x W380 mm
- Passive Version:** 2 Spk. NL4MP, Wht: 7,5 kg
- Active Version:** 2 Powercon (NAC3FCA/B) + 2 XLR (M/F), Wht: 8 kg



SAM8/B Black passive
SAM8/BA Black active
RI-LY-SAM8 Wall bracket

SAM-12

12" Coaxial speaker PA system & floor monitor

- AES Power: 350 W / 8 Ω
- Bandwidth (-6dB): 50 Hz to 20 kHz
- Sensitivity: 99 dB / 1W @1m
- SPL MAX level: 129 dB
- Directivity (-6dB): 80° conical
- LMF: 1 x 12" vented enclosure
- HF: 2" coaxial compression
- Rigging: Insert M10 + Fem. ø 35 mm socket
- 12 mm baltic birch wood
- Finished polyurethane painting
- Dimensions: H351 x D425 x W550 mm
- Passive Version:** 2 Spk. NL4MP, Wht : 16,2 kg
- Active Version:** 2 Powercon (NAC3FCA/B) + 2 XLR (M/F), Wht: 16,95 kg



SAM12/B Black passive
SAM12/BA Black active
RI-LY-SAM12 Wall bracket
FC-2SAM12 Flight case

SAM-15

15" Coaxial speaker PA system & floor monitor

- AES Power 500 W / 8 Ω
- Bandwidth (-6dB): 50 Hz to 20 kHz
- Sensitivity: 100 dB / 1W @1m
- SPL MAX level: 131 dB
- Directivity (-6dB): 80° conical
- LMF: 1 x 15" vented enclosure
- HF: 2" coaxial compression
- Rigging: Insert M10 + Fem. ø 35 mm socket
- 15 mm baltic birch wood
- Finished polyurethane painting
- Dimensions: H392 x D477 x W620 mm
- Passive Version:** 2 Spk. NL4MP, Wht: 19,8 kg
- Active Version:** 2 Powercon (NAC3FCA/B) + 2 XLR (M/F), Wht: 20,55 kg



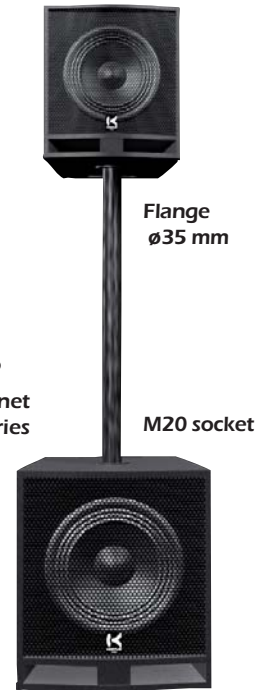
SAM15/B Black passive
SAM15/BA Black active
RI-LY-SAM15 Wall bracket
FC-2SAM15 Flight case



2-WAY AMPLIFIED OR PASSIVE COAXIAL VENTED ENCLOSURE CABINETS

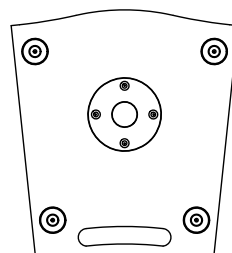
Specifications:

- FAITAL PRO loudspeakers (& B&C for the BR115P: bass cabinet)
- PASCAL AUDIO for amplified models
- Baltic birch wood
- Finished polyurethane painting
- Ideal for: karaoke, pubs, restaurants, clubs, lounges...

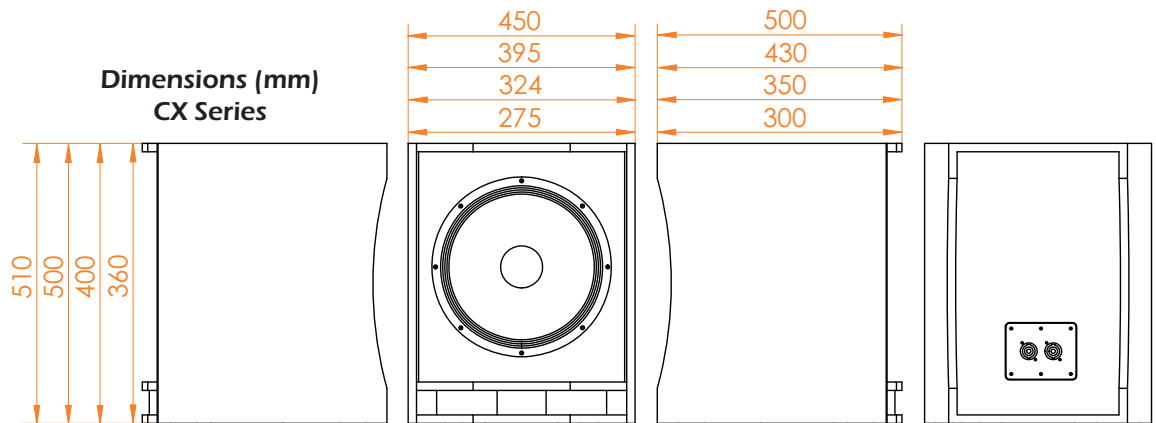


BR115P
Bass cabinet
for CX Series

	CX8P	CX10P	CX12P	BR115P
Nominal diameter	200 mm (8")	250 mm (10")	300 mm (12")	380 mm (15")
AES Power	250 W	250 W	250 W	700 W
Program power	500 W	500 W	500 W	1400 W
Maximum SPL	122 dB	124 dB	125 dB	125 dB
Sensitivity	95 dB	97 dB	98 dB	98 dB
Dispersion angle	100°	100°	100°	Omnidirectional
Frequency range	70 - 20 000 Hz	65 - 20 000 Hz	55 - 20 000 Hz	45 - 250 Hz
Loudspeaker type	Coaxial 8" + 1.5"	Coaxial 10" + 1.5"	Coaxial 12" + 1.5"	- 15"
Dimensions (mm) H x D x W	360 x 300 x 275	400 x 350 x 324	500 x 430 x 395	510 x 500 x 450



EU-01282 Tube ø35 mm & M20
EU-13991 Tube ø35 mm & M20





Customized flight case :

- Phenol 9 mm, Guitel braked wheels
- Personalize your flight case with your logo



Flight case KIT upon request:

Pre-cut wood and foam plates for your chosen flight case size (available options shown below)



Medium recessed butterfly latch



Steel corner ball



Steel brace



3-Way divider brace



9 mm Phenol faced Birch Plywood



Foam Thickness: 10 mm



Hybrid extrusion (2m Length - aluminium)



Single angle extrusion (2m Length - aluminium)



Guitel braked wheels



Grooved aluminium rivet



Black steel castor dish



Rivet protected recessed handle

