

FSW-T85100

Installation manual
Montage handleiding

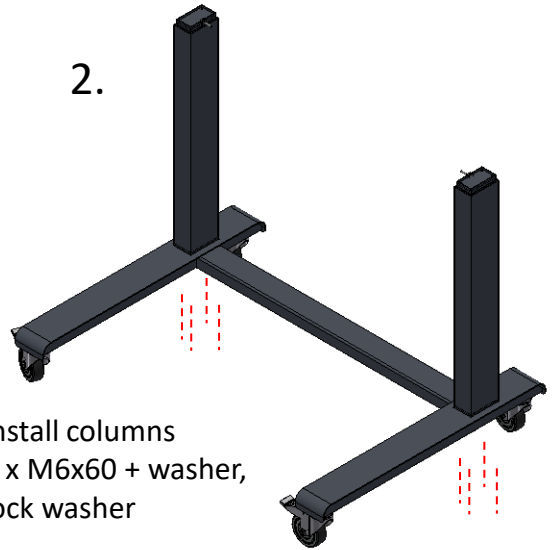


1.



Install wheels
4 x M8x25 hex + washer, lock washer

2.



Install columns
8 x M6x60 + washer,
lock washer

3.



Install frame on columns
4 x M6x25 hex
4 x M6x40 countersink hex

4.



Install power supply 2 x
M6x40 + M6 nut
Install motor cables and
control

Technical specifications:

- Max. load 100 kg
- Standard VESA 400x400, 400x200, 400x300, 600x200, 600x300, 600x400, 800x200, 800x300, 800x400, 900x200, 900x300, 900x400, 1000x200, 1000x300 en 1000x400.
- Presentation height centre screen Min.1184, Max. 2183 mm
- Entirely in black RAL 9005
- Power consumption 300 watts
- Collision detection

CE / UKCA / EMC

Note:

Lock wheels before lifting

Move trolley with screen in lowest position

Never not alter the construction

Audipack's general conditions of sales and delivery apply to all of Audipack's deliveries. These conditions can be downloaded from Audipack's website, www.audipack.com, or will be sent by post on request.

Audipack liefert ausschließlich unter die allgemeine Verkauf- und Lieferungsbedingungen von Audipack. Diese Bedingungen sind zum downloaden verfügbar auf die Webseite von Audipack, www.audipack.com, oder werden Ihnen auf Anfrage per Post gesendet.

Alle leveringen geschieden uitsluitend volgens de Algemene Verkoop- en Leveringsvoorwaarden van Audipack. Een afschrift hiervan kunt u downloaden van de website van Audipack, www.audipack.com, of wordt u op aanvraag gestuurd per post.

Les conditions de vente et de livraison de Audipack s'appliquent à tous les livraisons de Audipack. Cette conditions sont disponible sur le site internet de Audipack, www.audipack.com, où seront envoyé par poste sur demande.

**AUDIPACK
Industriestraat 2
2751 GT Moerkapelle
The Netherlands**

Tel: +31(0)795931671

Email: audipack@audipack.com

www.audipack.com

Audipack reserves the right to make changes in specifications and other information contained in this document without prior written notice. The information provided herein is subject to change without notice. In no event shall Audipack be liable for any incidental, special, indirect, or consequential damages whatsoever, including but not limited to lost profits, arising out of or related to this manual or the information contained herein, even if Audipack has been advised of, known, or should have known, the possibility of such damages.