

## Overview

---

Perfectly suited for use with CZR full-range speakers, the CXS18XLF/CXS18XLFW is a bass-reflex type subwoofer with extended low frequencies, outstanding clarity, and best-in-class 133dB SPL performance.



CXS18XLF



CXS18XLFW

## Features

---

- 18" subwoofer with 4" Voice Coil
- High power 1000W (PGM) input
- Cardioid mode capable with processors or DSP onboard power amps
- Lightweight yet very durable plywood cabinet with premium grade Polyurea coating
- SpeakON NL4MP x 3 (Parallel x 2, Output x 1)
- Dual-pole socket
- Optional speaker cover (SPCVR-DXS18X) and wheel kit (SPW-1)
- Durable Black or white finish

## Specifications

### General Specifications

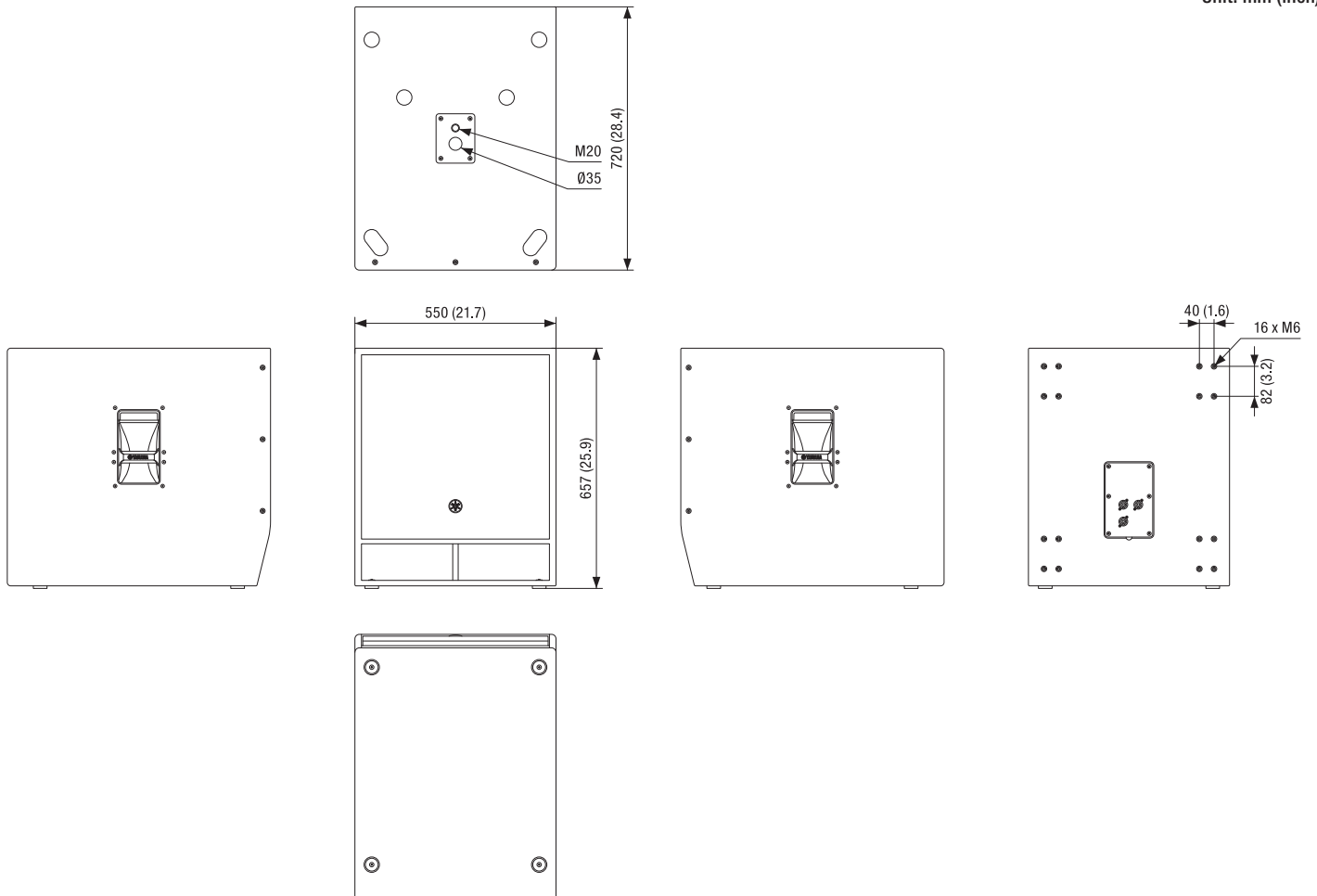
Speaker Type	Subwoofer, Bass-reflex	
Frequency Range (-10dB)	Passive: 32Hz - 3kHz, Normal (*1): 32Hz - 150Hz, Extend (*1): 29Hz - 150Hz	
Coverage Area	-	
Floor Monitor Angle	-	
Components	LF	18" Cone, 4" Voice Coil, Ferrite magnet
	HF	-
Crossover	-	
Power Rating	NOISE	500W (EIA 426-A)
	PGM	1000W (EIA 426-A)
	PEAK	2000W (EIA 426-A)
Nominal Impedance	8Ω	
SPL	Sensitivity (1W; 1m on axis)	100dB *2
	Peak (Calculated)	133dB *2
I/O Connectors	SpeakON NL4MP x 3 (Parallel x 2, Output x 1)	
Handle	Aluminium die-cast, Side x 2	
Pole Socket	Ø35mm (depth 80mm), M20 Threaded (depth 25mm)	
Rigging	-	
Dimensions (W x H x D)	550mm x 657mm (with rubber feet) x 720mm (21.6" x 25.9" x 28.4")	
Net Weight	43.6kg (96.1lbs)	
Options	Cover: SPCVR-DXS18X, Caster: SPW-1	
Others	Enclosure Material, Finish, Color: Plywood, Durable Polyurea coating, Black/White	

\*1 With recommended DSP processing.

\*2 Half space (2π).

## Dimensions

Unit: mm (inch)



## Options

- Speaker Cover SPCVR-DXS18X
- Wheel Kit SPW-1

## Architectural and Engineering Specifications

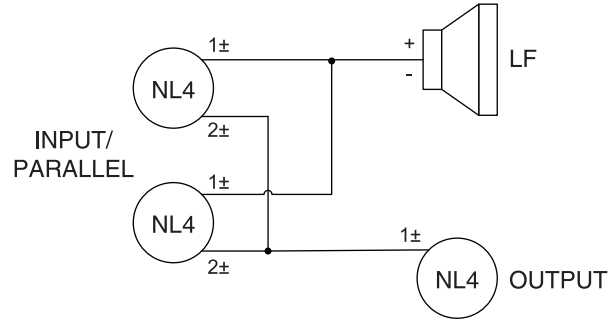
---

The Yamaha CXS18XLF shall be a passive bass-reflex subwoofer for sound reinforcement applications. The loudspeaker shall have one 18" cone low-frequency transducer with a 4" voice coil. Continuous program power capacity shall be 1000 watts. The loudspeaker shall be capable of meeting the following performance criteria: reproduction frequency range shall be 32 Hz to 3 kHz (-10 dB) when used without equalization, and maximum output SPL shall be 133 dB (peak, pink noise @ 1m). Two parallel-connected SpeakON connectors shall be provided for input, and one SpeakON connector shall be provided for output.

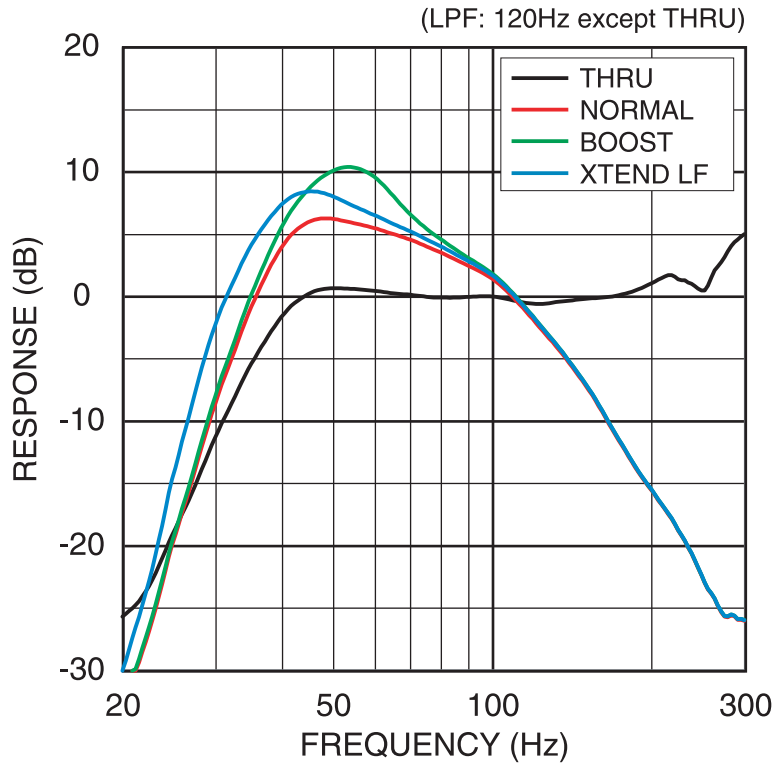
The loudspeaker shall be designed for full compatibility with the speaker tuning capabilities of Yamaha PX series amplifiers or other speaker processors in order to deliver optimum system performance in a variety of environments.

The loudspeaker enclosure shall be constructed of high-grade plywood and finished with a durable polyurea coating. The dimensions of the loudspeaker shall be 550 x 657 x 720 mm (W x H x D, including rubber feet). The weight shall be 43.6 kg.

**Block Diagrams**



### Frequency Response



\*All information subject to change without notice.

\*All trademarks and registered trademarks are property of their respective owners.

Created in June, 2023