

Overview

The CHR12M is a 2-way loudspeaker with a 12-inch woofer and a 1.75-inch HF driver in a space saving coaxial configuration, perfect for use as a floor monitor. Combining carefully selected and customized transducers with the same plywood construction found on Yamaha's high-end CZR Series, the CHR12M offers best-in-class sound quality and durability.



REAR

Features

- The coaxial driver delivers precise, smooth phase and frequency response characteristics ideal for use in monitoring applications
- Featuring a plywood cabinet that delivers a clear sound with minimal vibration
- Compact, low profile, plywood enclosure with a polyurea coating for a robust, scratch-resistant surface
- A pole socket for use on a stand
- Yamaha DSP equipped amplifiers or other compatible signal processors have dedicated speaker processor tuning settings to maximize system performance

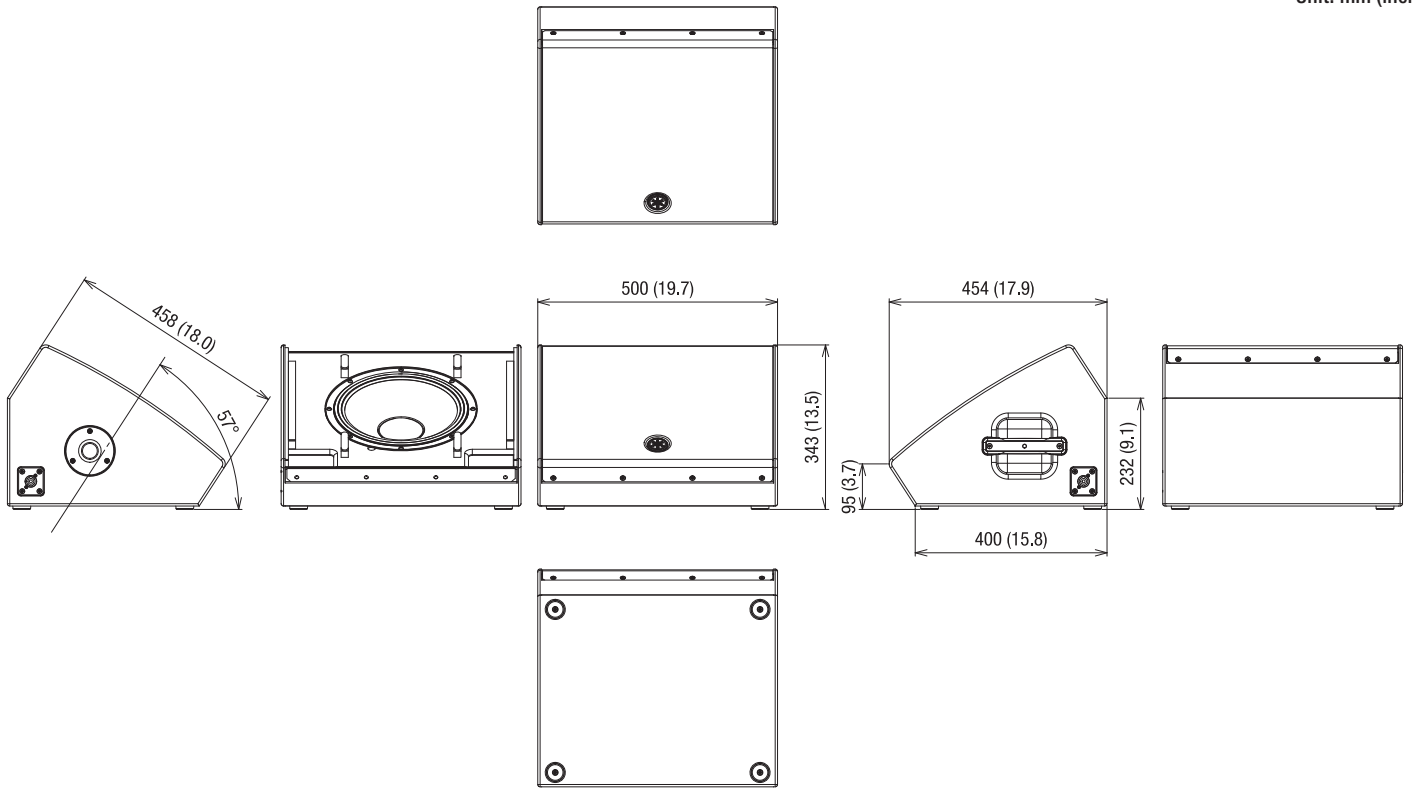
Specifications

General Specifications

System Type		2-way Speaker, Bass-reflex
Components	LF	Diameter: 12" cone, Voice Coil: 2.5", Magnet: Ferrite
	HF	Diaphragm: 1.75", Type: 1" throat coaxial compression driver, Magnet: Ferrite
Frequency Range (-10 dB)		61 Hz - 20 kHz
Crossover		1.8 kHz
Coverage Angle (Horizontal x Vertical)		H90° x V90°
Nominal Impedance		8 Ω
SPL	Sensitivity (1 W; 1 m on axis)	93 dB SPL
	Peak (Calculated)	123 dB SPL
Power Rating	NOISE	250 W
	PGM	500 W
	PEAK	1,000 W
I/O Connectors		SpeakON NL4MP x 2 (Parallel)
Cabinet Material		Plywood
Finish		Durable Polyurea Painting, Black
Handle		Side x 1
Pole Socket		\varnothing 35 mm x 1 (Side)
Rigging		-
Floor Monitor Angle		57°
Dimensions (W x H x D) (with rubber feet)		500 mm x 343 mm x 454 mm (19.7" x 13.5" x 17.9")
Net Weight		15.6 kg (34.4 lbs)

Dimensions

Unit: mm (inch)

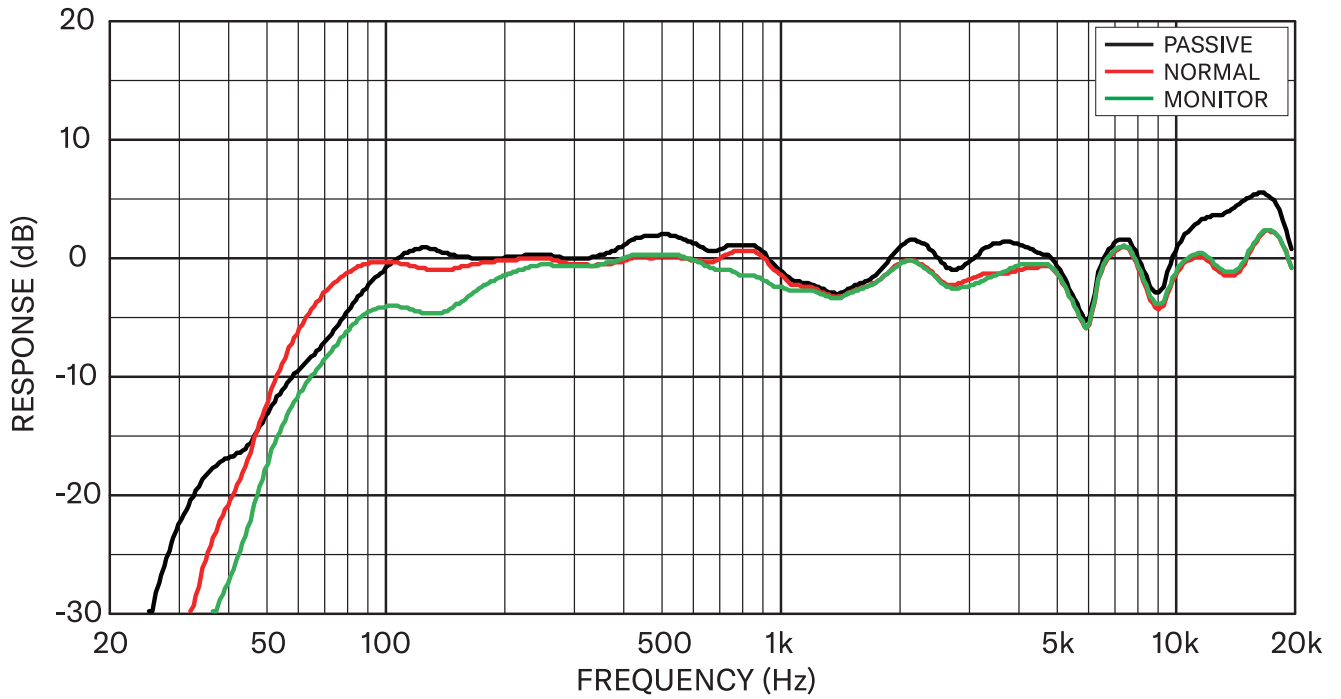


Architectural and Engineering Specifications

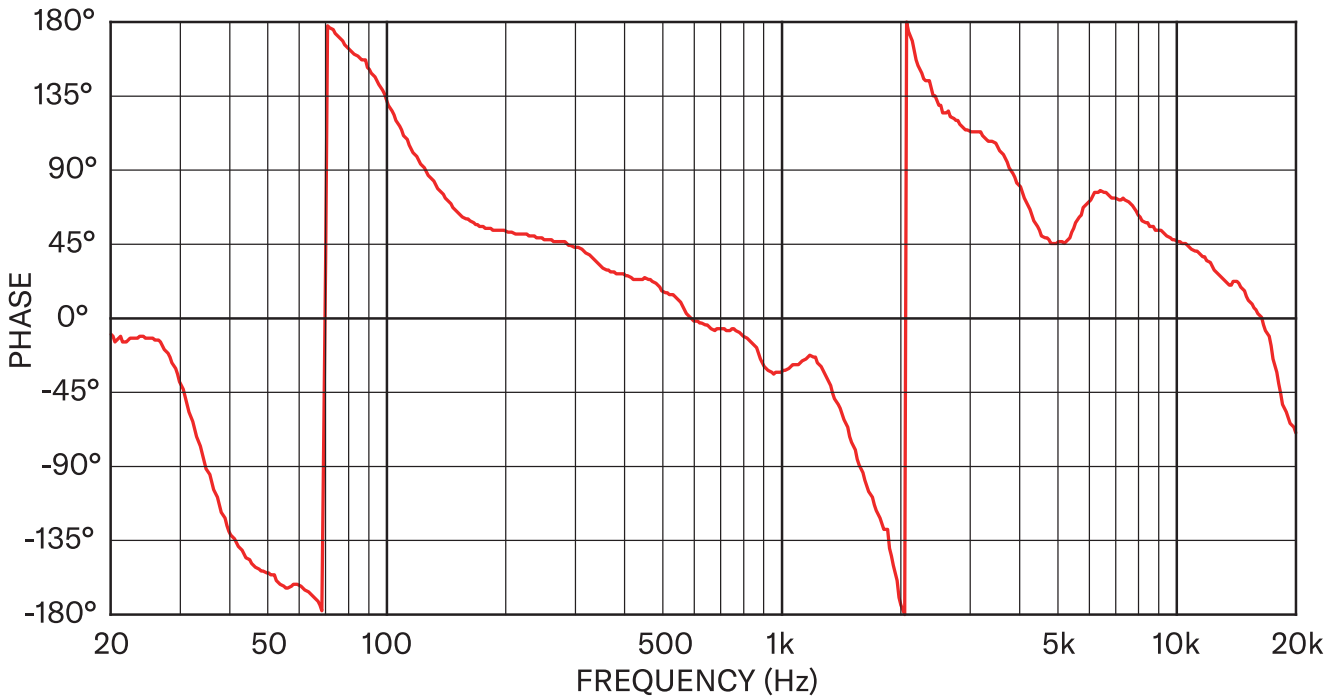
The Yamaha CHR12M Speaker System shall be a two-way bass-reflex type full-range loudspeaker system having a single 12" cone driver with a 2.5" voice coil for the low frequencies and a 1.75" compression driver for the high frequencies. The CHR12M Loudspeaker shall meet the following performance criteria: Sensitivity shall be 93 dB SPL at 1 watt/1 meter, maximum SPL shall be 123 dB at 1 meter, frequency response shall be 61 Hz to 20 kHz at 10 dB below rated sensitivity, crossover frequency shall be 1.5 kHz, and nominal coverage angle shall be 90° horizontal and 90° vertical via a constant directivity horn. Maximum power ratings shall be 250 watts noise, 500 watts program, and 1000 watts peak into 8 ohms.

The loudspeaker shall have two parallel connected SPEAKON (Neutrik NL4) connectors for input. The cabinet shall be constructed of wood with a durable black Polyurea coating. The cabinet shall have one side handle, and it shall be designed for floor monitor use with a 57-degree monitor angle. One 35 mm pole socket shall be provided for convenient pole mounting. Dimensions shall be 500 (W) x 343 (H) x 454 (D) mm. Weight shall be 15.6 kg.

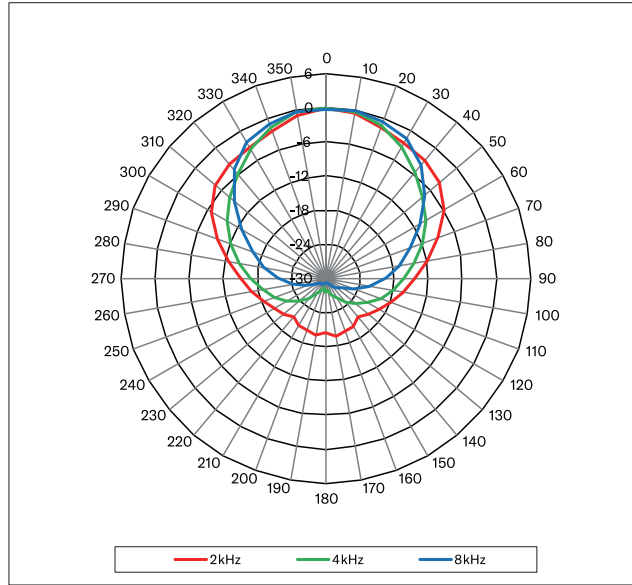
Frequency Response



Phase Response



Polar Plots



*All information subject to change without notice.

*All trademarks and registered trademarks are property of their respective owners.

Created in April, 2022