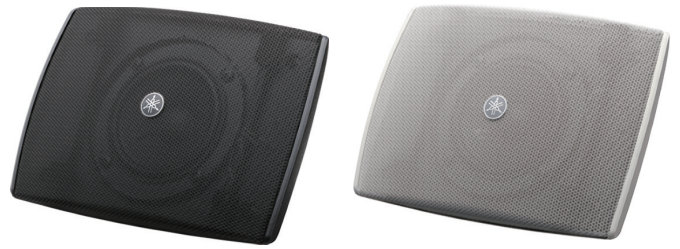


Overview

Compact surface-mount speakers feature attractive, discreet design and premium sound tuning for refined background music in elegant spaces.



Features

- Stylish design and premium sound tuning for refined background music in elegant spaces
- Designed for Hi-Z connections
- Attractive, discreet design complements elegant décor
- Dedicated design-enhancing bracket included
- Acoustic design for sophisticated, natural reproduction
- Individual speakers cover a wide angle
- Paintable enclosures and grilles
- Black and white models available

Specifications

General Specifications

System Type		Full-range, Acoustic suspension
Components		3.5" Cone
Frequency Range	(-10dB)	130Hz-20kHz
Coverage Angle (Horizontal x Vertical)		150° x 160°
Transformer Taps	70V	15W, 7.5W, 3.8W, 1.9W
	100V	15W, 7.5W, 3.8W
Sensitivity (1W, 1m)		86dB SPL ^{*1}
Connectors		1 x Barrier strip (Input: +/-)
Material, Finish, Color		Black, White
Dimensions (W x H x D)		184mm x 178mm x 139mm (3.7" x 7.0" x 5.5") ^{*2 *3}
Net Weight		1.7kg (3.7lbs) ^{*3}
Packaging		Pair
Certificate		UL1480, NFPA70, CE, EAC, RoHS

*1 Full-space (4π), 200Hz to 10kHz pink noise

*2 In horizontal cabinet setup

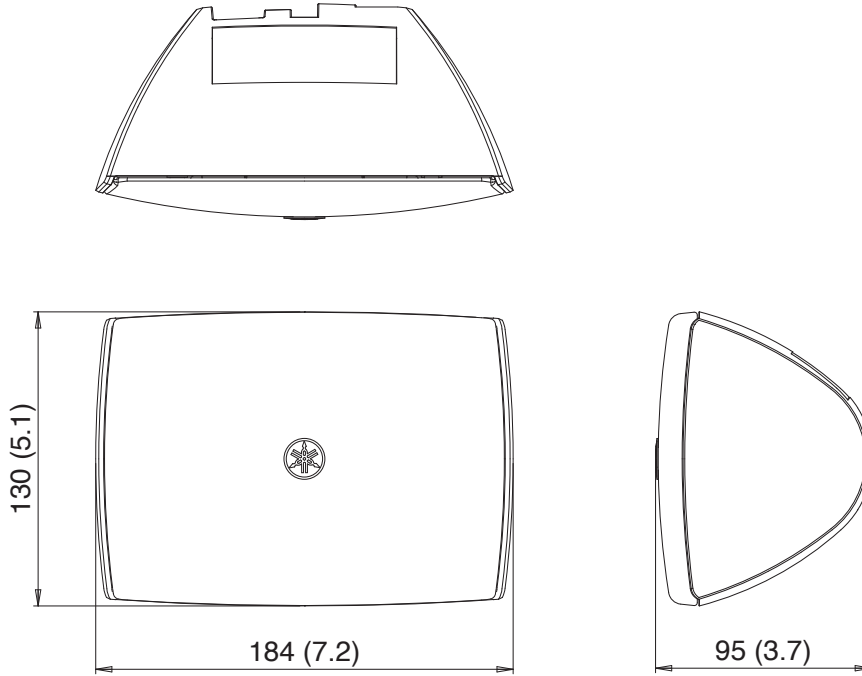
*3 With bracket

Accessories

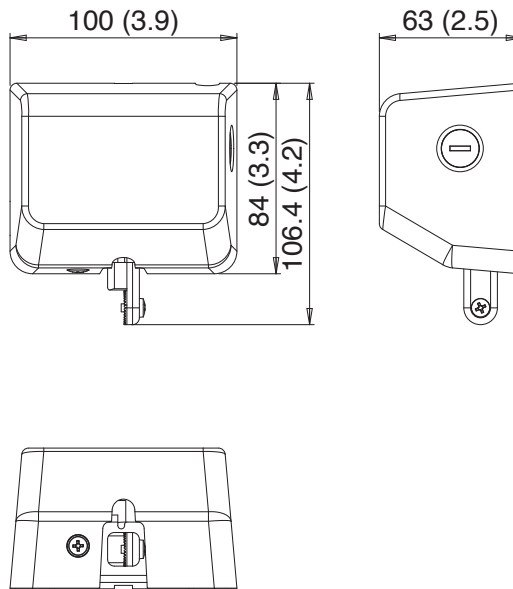
Included Accessories	Bracket Gear, Bracket Base (with Transformer), Bracket Cover, Safety Wire
----------------------	---

Dimensions

Unit: mm (inch)



Bracket

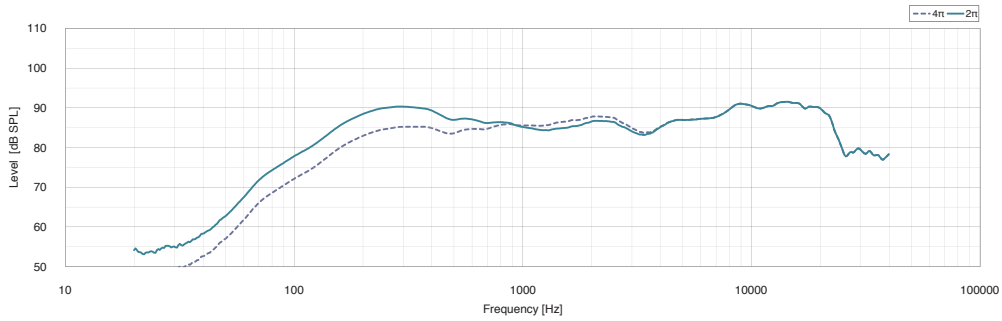


Architectural and Engineering Specifications

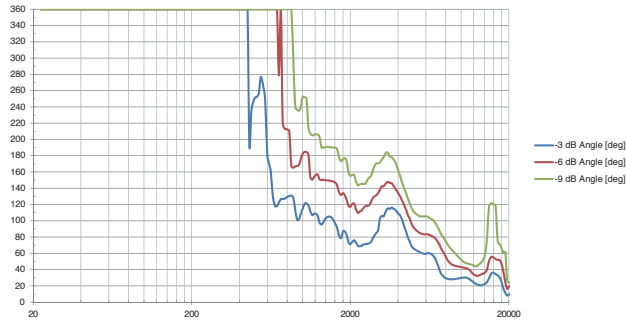
The speaker shall be of surface-mount design, a Full-range, Acoustic suspension type. The speaker consist of 9cm (3.5") cone woofer. The transformer shall accept 70V inputs with taps for 1.9W, 3.8W, 7.5W and 15W, and 100V inputs with taps for 3.8W, 7.5W and 15W. The sensitivity at a distance of 1m with a 1W input level applied shall be 86dB SPL. The rated power handling shall be 20W continuous pink noise, 40W continuous program, 80W continuous max. The speaker shall have a frequency response of 130 to 20kHz. (-10dB). The coverage angle (-6dB) shall be: 150 degrees (horizontal) and 160 degrees (vertical). UL1480, NFPA70, CE, EAC and Rohs certified. The speaker shall be available in white or black, and also be repaintable. Brackets for wall and ceiling installation shall be included. The unit shall be 184 (W) x 178 (H) x 139 (D) mm (3.7" x 5 .1" x 5.3")*, and a weight of 1.7 kg (3.7 lbs.).* The speaker shall be a Yamaha model VXS3FT/VXS3FTW.

*with bracket

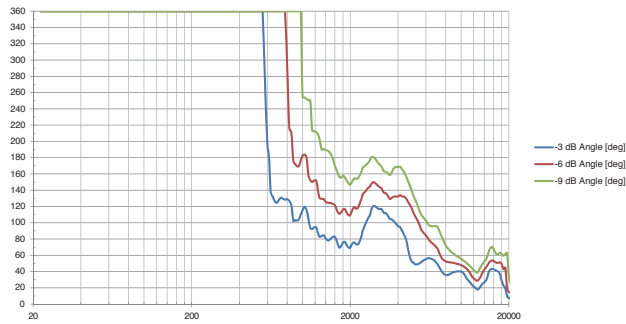
Sensitivity



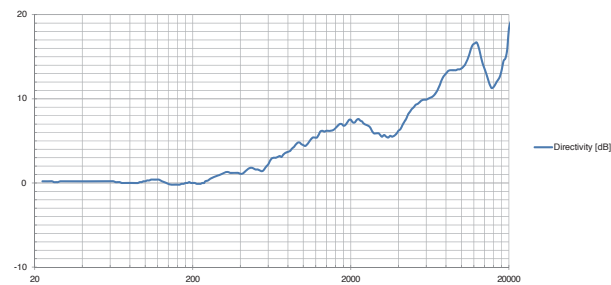
Horizontal Beamwidth



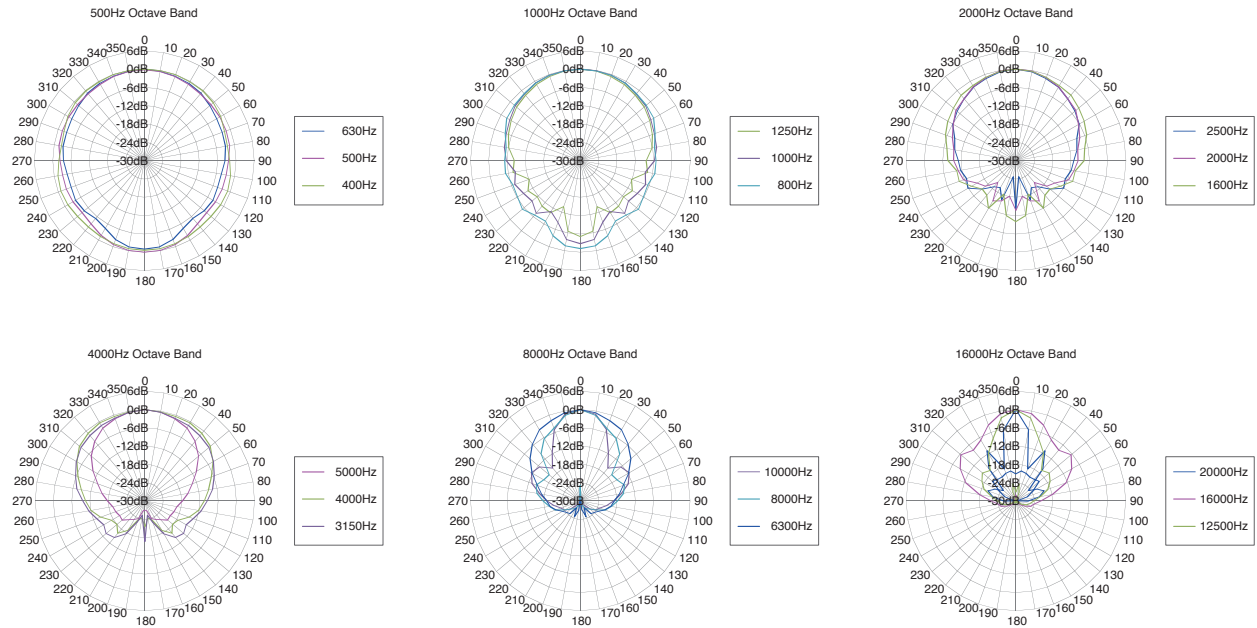
Vertical Beamwidth



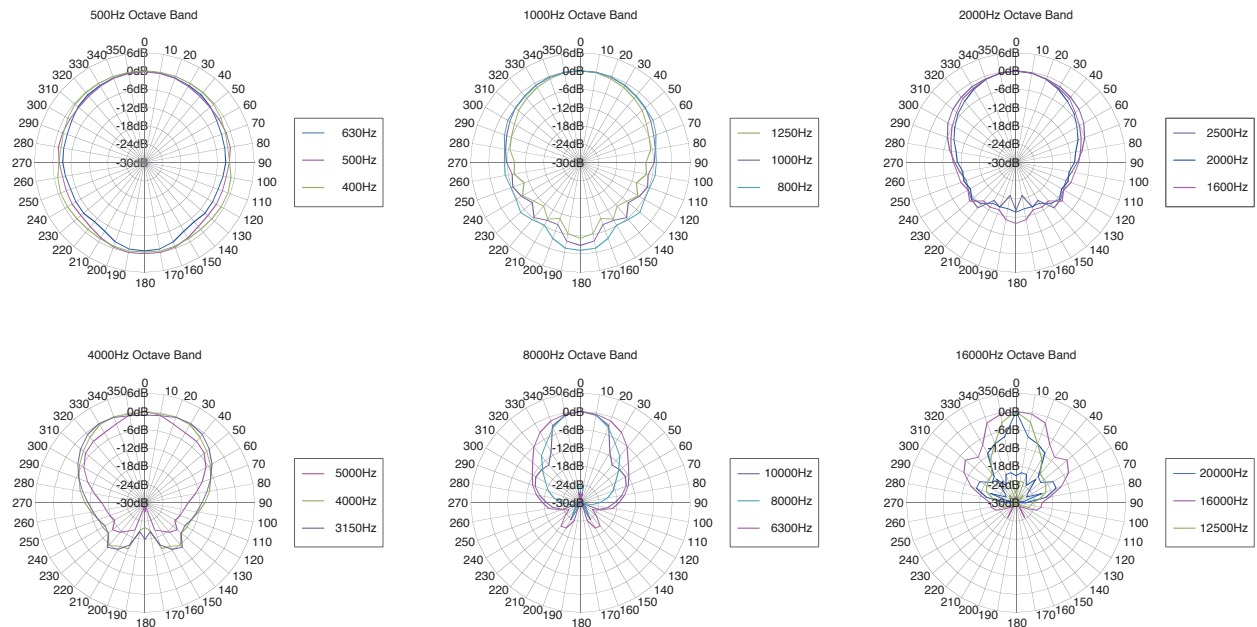
Directivity Index



Horizontal Polar Plots



Vertical Polar Plots



*All information subject to change without notice.

*All trademarks and registered trademarks are property of their respective owners.

Created in March, 2017

YAMAHA CORPORATION
P.O.BOX 1, Hamamatsu Japan
www.yamahaproaudio.com