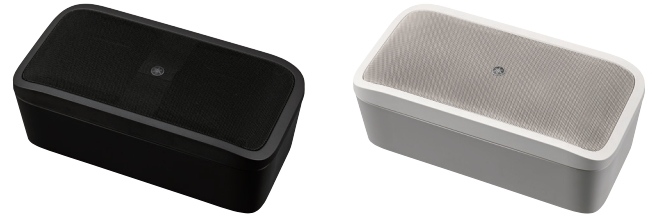


Overview

Subwoofers for high-quality low-frequency enhancement ideally matched to VXS and VXC Series



Features

- Versatile subwoofer compatible with low and high impedance systems
- Sound and size ideally matched to the VXS1ML
- SR-Bass™ technology delivers solid bass in a compact unit
- Dedicated wall/ceiling mount hardware supplied
- Ideal response can be achieved with a satellite connection.
- Black and white models available
- Paintable enclosures and grilles

Specifications

General Specifications

System Type	SR-Bass™ type Subwoofer	
Components	3.5" Cone	
Frequency Range	(-10dB)	65Hz-180Hz
Nominal Impedance	8Ω	
Transformer Taps	70V	15W, 7.5W, 3.8W, 1.9W
	100V	15W, 7.5W, 3.8W
Power Rating	NOISE	20W
	PGM	40W
	MAX	80W
Sensitivity (1W, 1m)	79dB SPL ¹	
Maximum SPL (Calculated, 1m)	98dB SPL ²	
Connectors	TERMINAL BLOCKS (4pin) Input: +/-, Loop-thru: +/-, TERMINAL BLOCKS (8pin) Satellite output:+/- (ST1-ST4)	
Material, Finish, Color	Black, White	
Dimensions (W x H x D)	322mm x 162mm x 118mm (12.7" x 6.4" x 4.6") ³	
Net Weight	2.7kg (6.0lbs)	
Packaging	Single	
Certificate	CE, EAC ,RoHS	

*1 Full-space (4π)

*2 Calculated based on power rating and sensitivity, exclusive of power compression

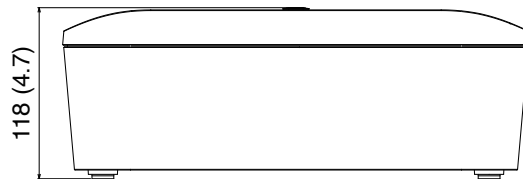
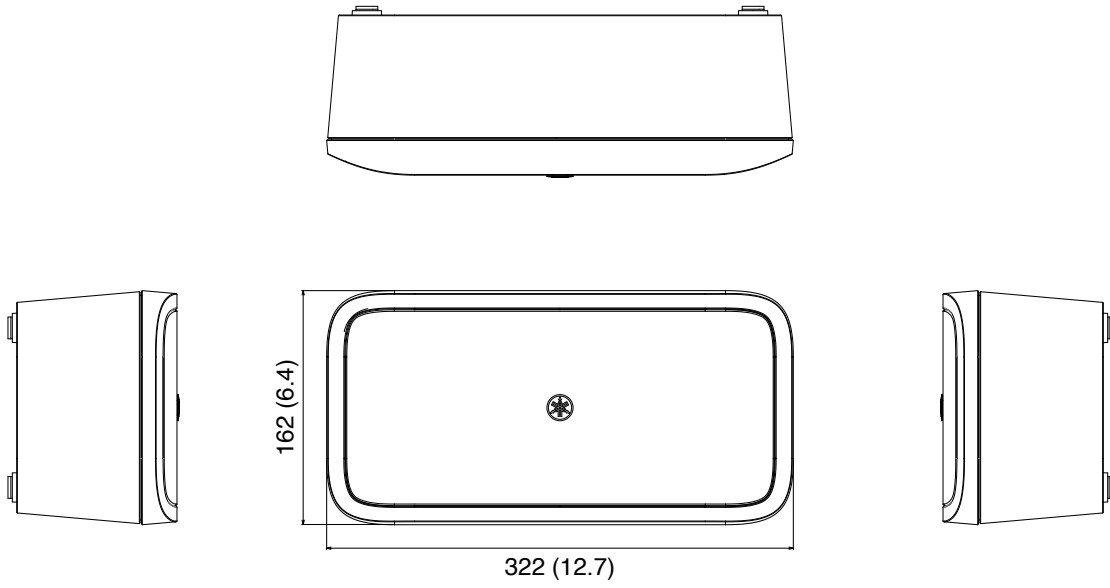
*3 Speaker Only

Accessories

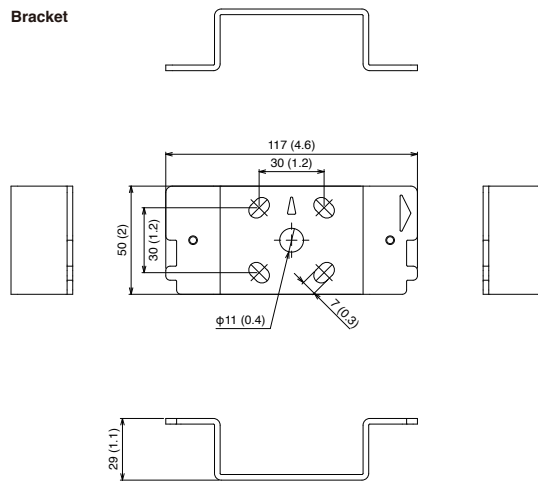
Optional Accessories	CMA3S
----------------------	-------

Dimensions

Unit: mm (inch)



Bracket



Architectural and Engineering Specifications

The subwoofer loudspeaker shall be of surface-mount design, an SR-Bass type. The subwoofer loudspeaker shall consist of 3.5" (9cm) cone driver. The power rating shall be set by switching a transformer tap on the baffle as follows: 15W/7.5W/3.8W in 100V line; 15W/7.5W/3.8W/1.9W in 70V line; and 40W into 8 ohms. The subwoofer loudspeaker shall be capable of meeting the following performance criteria: The measured sensitivity shall be 79dB SPL (at 1W, 1m, in full-space); The maximum SPL shall be 98dB SPL (at 1m); The frequency range shall be 65Hz-180Hz (10dB below rated sensitivity, in full-space). Terminal blocks connectors shall be provided for two channel-inputs, and Terminal blocks connectors for satellite-outputs. The subwoofer loudspeaker shall be provided for an overload protection circuit to protect network and transducers. The cabinet shall be rectangle-shaped, and be constructed of ABS. The cabinet shall have the following color variation: black-painted (VXS3SB) or white-painted (VXS3SW). The unit shall be 322 (W) x 162 (H) x 118 (D) mm (12.7" x 6.4" x 4.6"), and a weight of 2.7 kg (6.0 lbs.). The subwoofer loudspeaker shall have included accessories as follows: The mount bracket to be mounted onto wall and ceiling. The subwoofer loudspeaker shall be the Yamaha VXS3SB or VXS3SW.

*All information subject to change without notice.

*All trademarks and registered trademarks are property of their respective owners.

Created in December, 2017

YAMAHA CORPORATION
P.O.BOX 1, Hamamatsu Japan
www.yamaha.com/proaudio/