

## Overview

---

VXC series "S model" ceiling subwoofers are ideal matches for VXS and VXC series speakers, smoothly extending the low frequency range with superb sonic quality for bigger, more true-to-life musical reproduction without spoiling interior design of architectures.



## Features

---

- Sound and size ideally matched to the VXS and VXC series
- Band-pass design ensures smooth, distortion-free low-frequency extension
- Direct support for low-impedance or high-impedance connections
- Built-in carrying band increases safety during installation
- Anti-drop tab mechanism provide secure temporary positioning during installation
- Double-threaded speaker clamp screws for speedy tightening
- Paintable grilles with magnetic catches
- Black and white versions available

## Specifications

### General Specifications

Speaker Type		Band-pass type Subwoofer
Frequency Range (-10 dB)		44 Hz - 200 Hz (Half-space 2 $\pi$ )
Nominal Coverage		-
Components	LF	8" Cone
Power Rating	NOISE	100 W
	PGM	200 W
	MAX	400 W
Nominal Impedance		8 $\Omega$
Transformer Taps	100 V	60 W, 30 W, 15 W, 7.5 W
	70 V	60 W, 30 W, 15 W, 7.5 W, 3.8 W
SPL	Sensitivity (1 W; 1 m on axis)	88 dB SPL (Half-space 2 $\pi$ )
	Peak (Calculated)	114 dB SPL (Calculated, 1 m)
I/O Connectors		Euroblock (4 pin) x 1 (input: +/-, loop-thru: +/-)
Protection Circuit	Load Protection	Full-range power limiting to protect network and transducers
Finish		VXC8SB: Black (approx. Munsell N3) VXC8SW: White (approx. Munsell N9.3)
Dimensions	Diameter	324 mm (12-13/16")
	D	314 mm (12-23/64")
Net Weight		8.7 kg (19.2 lbs)
Cutout Size		Ø285 mm (Ø11-7/32")
Required Ceiling Board Thickness		5 mm - 37 mm
Packaging		Single package
Certificate		UL1480, UL2043, NFPA70, CE, EAC, RoHS
EN54-24 Compliance		-
Others		Conduit tube: Ø15.4 mm - Ø21.3 mm
Options		AB-C8S: O-ring + Tile Rail kit

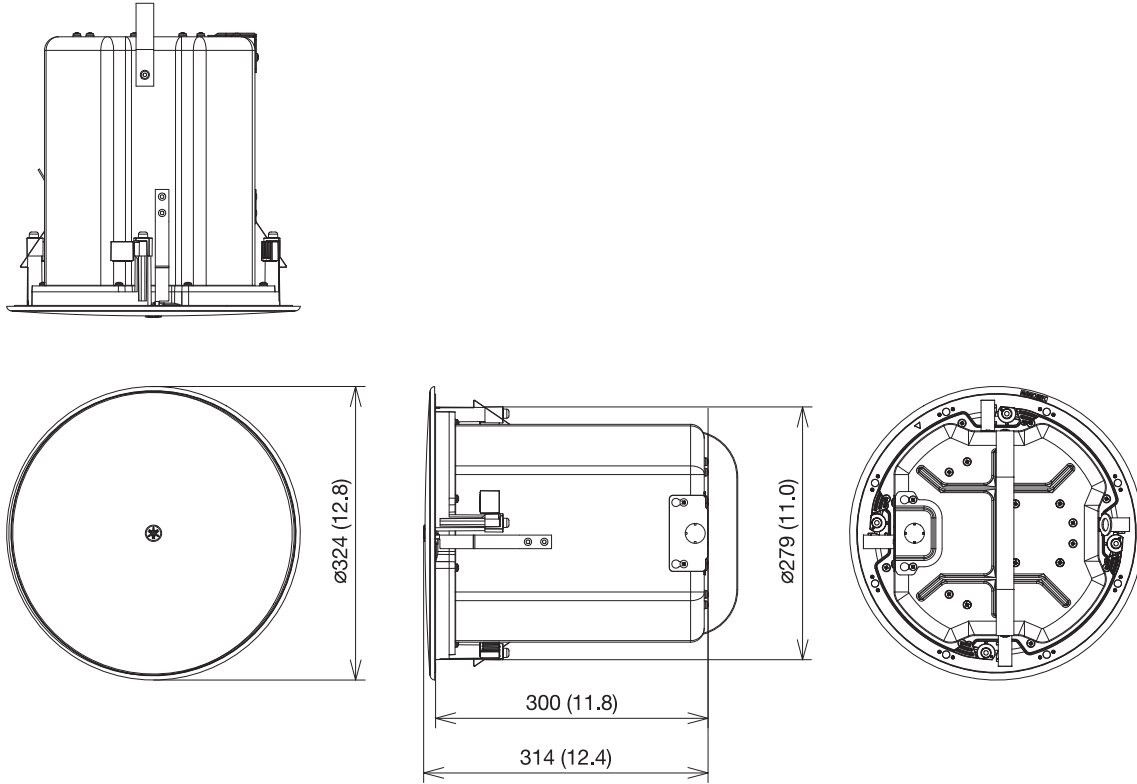
### Accessories

Included Accessories	Safety Wire x 1, Cutout Template x 1, Owner's Manual
----------------------	--

**Dimensions**

**1/2**

Unit: mm (inch)



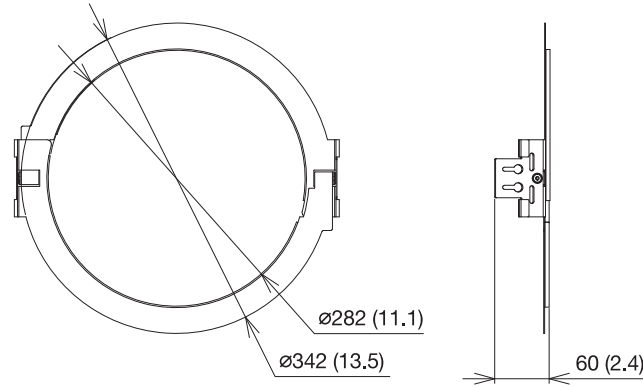
**Dimensions**

**2/2**

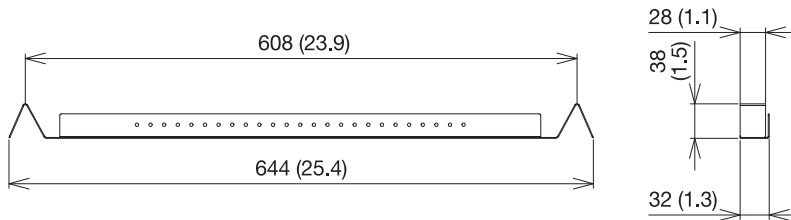
Unit: mm (inch)

**Option: AB-C8S**

**O-ring**



**Tile Rail**



**Options**

- Installation Support Bracket Kit      AB-C8S

## Architectural and Engineering Specifications

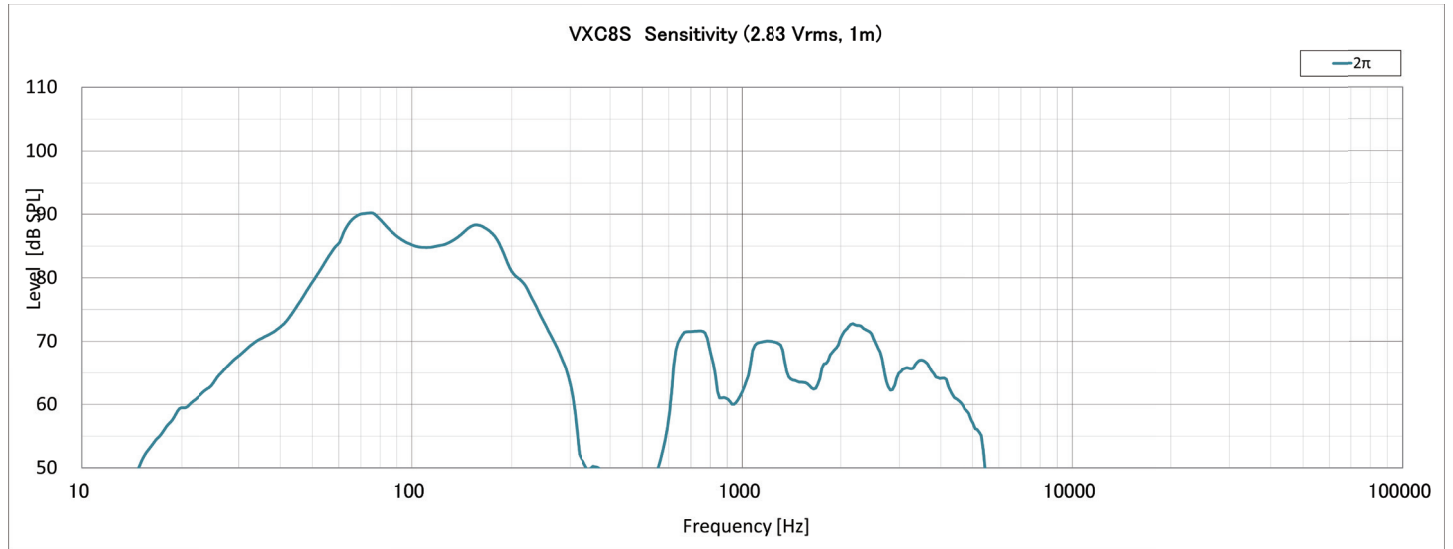
---

The Yamaha VXC8SB (black) and VXC8SW (white) shall be ceiling subwoofers for commercial installations. The VXC8SB and VXC8SW shall be designed to complement full-range Yamaha commercial installation speakers with extended low frequency response for more realistic music reproduction. They shall be band-pass type subwoofers with an 8" cone low frequency driver.

The VXC8SB and VXC8SW shall meet the following performance criteria: Sensitivity shall be 88 dB SPL (half-space  $2\pi$ ), maximum SPL shall be 114 dB at 1 meter, and frequency response shall be 44 Hz to 200 Hz (half-space  $2\pi$ ). Maximum power ratings shall be 100 watts noise, 200 watts program, and 400 watts peak. A tap selector shall be provided to allow operation at 8 ohms in low-impedance systems, or 70V/100V line voltage in distributed systems. 7.5, 15, 30, and 60 watt power taps shall be provided for 100 volt distributed lines. 3.8, 7.5, 15, 30, and 60 watt power taps shall be provided for 70 volt distributed lines. Overload protection shall be provided by full-range power limiting. A 4-pin Euroblock connector shall be provided for input connection.

The VXC8SB and VXC8SW shall have a powder-coated perforated steel grille and painted steel cabinet with ABS baffle. The VXC8SB grille and cabinet shall be black, and the VXC8SW grille and cabinet shall be white. The grille shall be paintable to allow color matching with the installation environment. The VXC8SB and VXC8SW shall be supplied with a safety wire, cutout template, and owner's manual. An optional O-ring and tile rail kit shall be available for maximum installation safety. Speaker dimensions including grille shall be 324 (ø) x 314 (D) mm. Weight shall be 8.7 kg.

## Frequency Response



\*All information subject to change without notice.

\*All trademarks and registered trademarks are property of their respective owners.

Created in December, 2022