

## Overview

---

The DXR15mkII achieves class-leading maximum SPL of 134 dB and full bandwidth performance by combining a powerful Class-D amplifier with a high-power woofer and Yamaha's cutting edge technologies. Throw in some D-CONTOUR and you'll feel like you're using a subwoofer.



## Features

---

- Boarded larger yet much lighter 1.75" Neodymium HF compression driver
- High Output LF Unit Featuring 2.5" VC magnet
- High Efficiency 1100W Class-D Amplification
- Ultra-Precise 48bit DSP Processing for High-Definition Sound- FIR-X Tuning™
- D-Contour: Intelligent Dynamic Control for Consistent Clarity At Any Output Level
- Intelligent Onboard 3-Channel Mixer
- Rigging Points for Standard Eye-Bolts and Optional U-Brackets

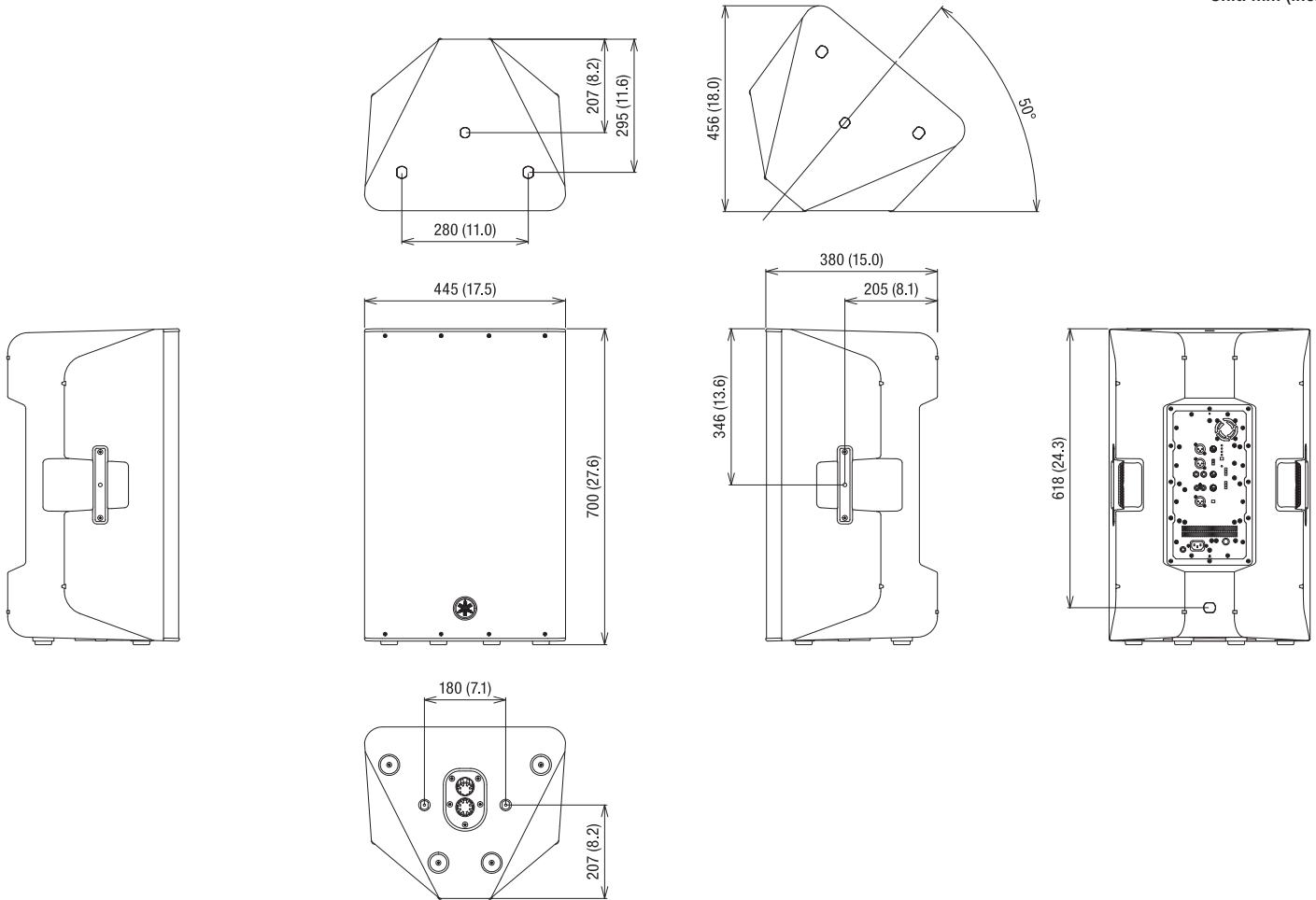
## Specifications

### General Specifications

Speaker Type	15" 2-way, Bi-amp powered speaker, Bass-reflex type	
Frequency Range (-10dB)	49Hz - 20kHz	
Nominal Coverage	H	90°
	V	60°
Components	LF	Diameter: 15" cone, Voice Coil: 2.5", Magnet: Ferrite
	HF	Diaphragm: 1.75", Type: 1" throat compression driver, Magnet: Neodymium
Crossover	FIR-X tuning™ (linear phase FIR filter)	
Output Power	Dynamic: 1100W (LF: 950W HF: 150W) / Continuous: 700W (LF: 600W HF: 100W)	
Maximum Output Level (1m; on axis)	134dB SPL	
I/O Connectors	INPUT: XLR3-31 x 1 , INPUT2: Phone x 2 (Unbalanced), INPUT3: RCA PIN x 2 (Unbalanced), THRU: XLR3-32 x 1 (Parallel with INPUT 1), LINK OUT: XLR3-32 x 1	
Processors	D-CONTOUR :FOH/MAIN, MONITOR, OFF	
Power Requirements	100V - 240V, 50Hz/60Hz	
Power Consumption	110W	
Flying and Mounting Hardware	Top x 2, Rear x 1 (Fits for M10 x 18mm eyebolts)	
Pole Socket	35mm with 2-way features (0 or 7 degrees)	
Dimensions (W x H x D)	445mm x 700mm x 380mm (17 4/8" x 27 4/8" x 15")	
Net Weight	21.8kg (48.1lbs)	
Accessories	UB-DXR15 (U-bracket)	
Others	Material: ABS (Matte Finish, Black)	

## Dimensions

Unit: mm (inch)



## Options

- Speaker Cover SPCVR-1501
- U-Brackets UB-DXR15

## Architectural and Engineering Specifications

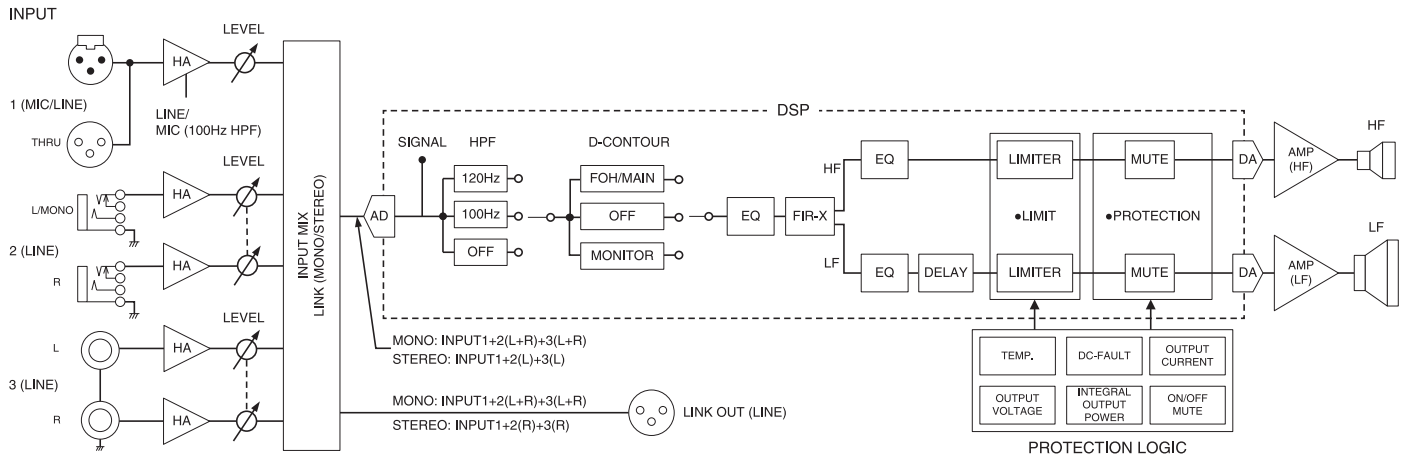
---

The Yamaha DXR15mkII shall be a powered loudspeaker for sound reinforcement applications. The loudspeaker shall be a full-range, two-way, bi-amplified, bass-reflex type with built-in digital signal processing. The loudspeaker shall have one 15" cone low-frequency transducer with a 2.5" voice coil, and one 1" throat high-frequency compression driver with a 1.75" diaphragm. The total continuous power rating shall be 700 watts (bi-amplified, with 600 watts delivered to the LF transducer and 100 watts delivered to the HF transducer). The crossover frequency shall be 2.1 kHz (FIR-X filter). The loudspeaker shall be capable of meeting the following performance criteria: reproduction frequency range shall be 49 Hz to 20 kHz (-10 dB), and maximum output SPL shall be 134 dB (peak, pink noise @ 1m). The loudspeaker's amplifiers shall be efficient class-D types. Coverage angles shall be 90° horizontal and 60° vertical. The loudspeaker shall have a 3-channel input mixer with one balanced XLR input connector, two unbalanced phone jack input connectors, and two unbalanced RCA pin jack input connectors. One XLR THRU output connector and one XLR LINK OUT output connector shall be provided.

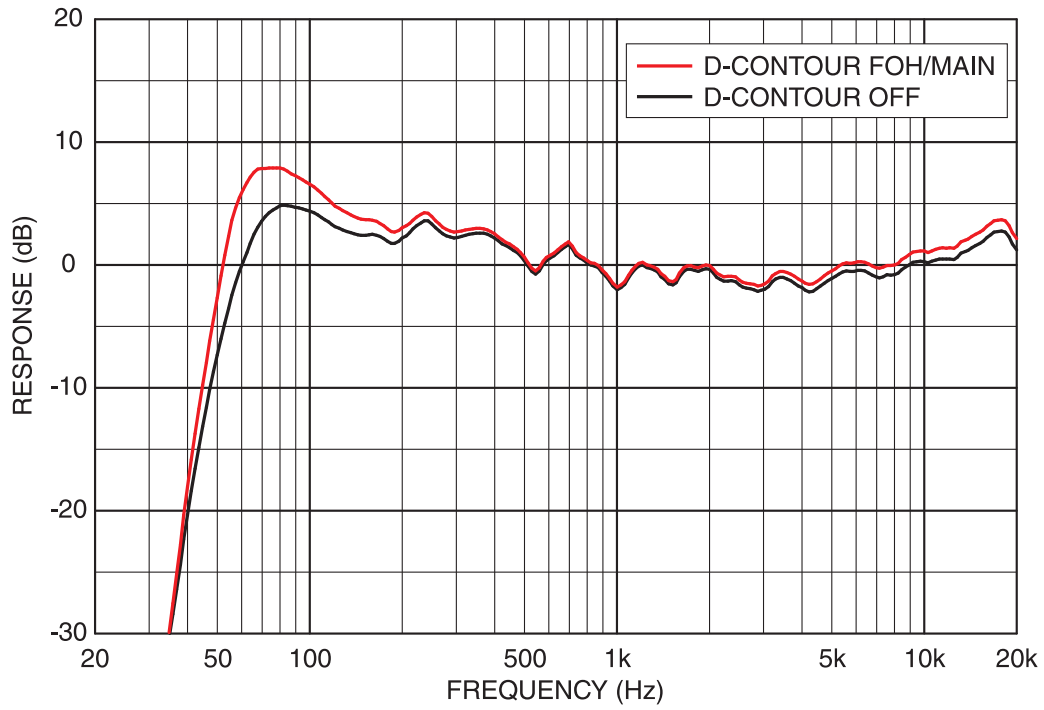
The loudspeaker shall provide built-in digital signal processing at a sample rate of 48 kHz. Digital signal processing shall provide FIR-X tuning for optimum crossover characteristics and overall response with minimal phase distortion. D-CONTOUR intelligent multiband compression with selectable FOH/MAIN and MONITOR modes shall also be provided to maximize clarity at all power levels.

The loudspeaker enclosure shall be constructed of durable ABS and finished with a durable polyurea coating. Rigging points shall be provided for use with standard eyebolts, and optional U Brackets will offer a variety of mounting configurations. The dimensions of the loudspeaker shall be 445 x 700 x 380 mm (W x H x D, including rubber feet). The weight shall be 21.8 kg.

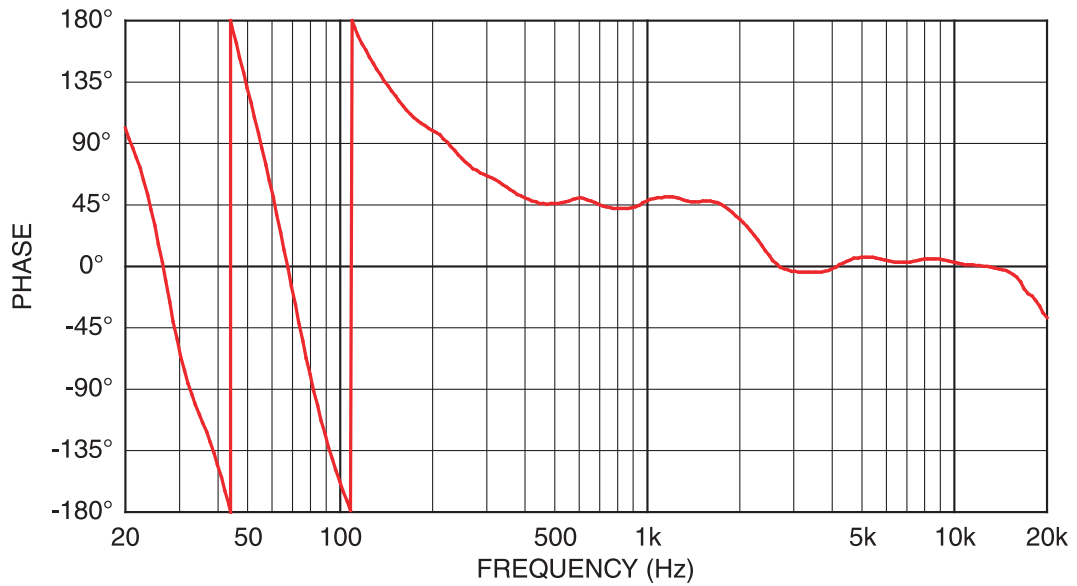
## Block Diagrams



### Frequency Response

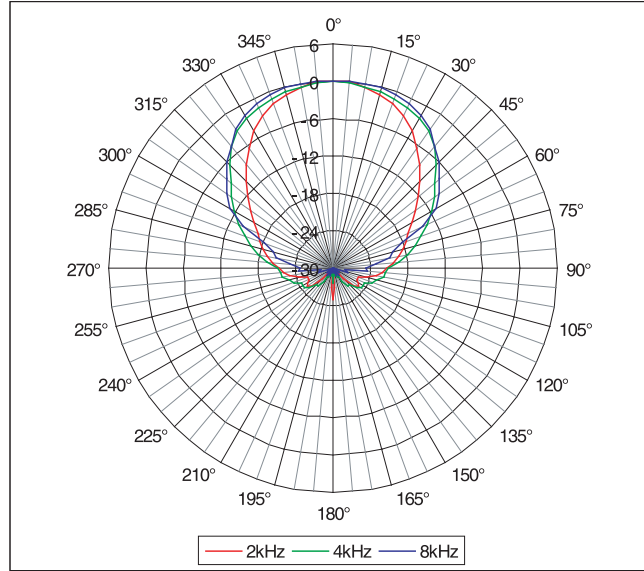


### Phase Response



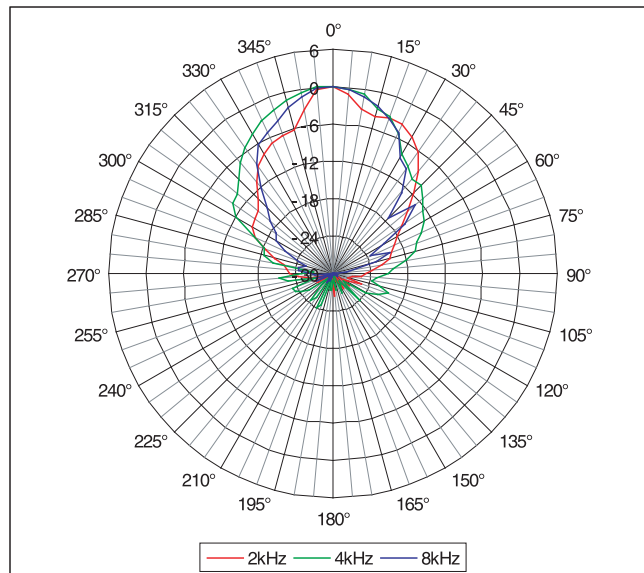
## Horizontal Polar Plots

Horizontal



## Vertical Polar Plots

Vertical



\*All information subject to change without notice.

\*All trademarks and registered trademarks are property of their respective owners.

Created in June, 2020