

Overview

The new DXS18 achieves best in class SPL of up to 136dB and delivers the lowest frequency 32Hz in the lineup. Equipped with a band-pass type enclosure and high power handling 4-inch voice coil magnet that drives the 18-inch woofer, the Class-D amplifier delivers 1020W of power with exceptional clarity and accuracy.



Features

- Output levels up to 136dB SPL with 1020W Class-D power amplifier
- Low frequency extension down to 32Hz
- Optimized band-pass design produces high SPL with drastically reduced distortion
- Powerful D-XSUB DSP processing provides a choice of NORMAL, BOOST, or XTENDED LF settings to match a variety of applications
- Cardioid mode setting with two or more speakers reducing the SPL of bass directed towards the stage
- Extensive DSP protection functions for maximum output
- Custom-designed high power woofer with superior damping characteristics
- INPUT and THRU connectors for efficient, flexible system setup
- Universal switching-mode power supply for world-wide use
- Durable Wooden Enclosure with LINE-X Coating
- Optional Wheel Kit (SPW-1)

Specifications

General Specifications

System Type	Powered subwoofer, Band-pass type	
Components	18" cone, 4" voice coil, Ferrite Magnet	
Frequency Range	(-10dB)	32Hz-120Hz
Output Power*1	Dynamic	1020W
	Continuous	800W
Maximum SPL (1m, on axis)	136dB SPL	
Processing	D-XSUB: BOOST, XTD LF, NORMAL	
Controls	LEVEL, POLARITY, LPF, X-OVER, D-XSUB, CARDIOID, THROUGH/HPF POST, FRONT LED DISABLE, POWER	
Cooling	Natural convection	
Power Requirements	100V-240V, 50Hz/60Hz	
1/8 Power Consumption	100W	
Pole Socket	35mm (depth 80mm) & M20 (threaded depth 25mm)	
Handle	Side x 2	
Material, Finish, Color	Wood, LINE-X®, Black	
Dimensions (W×H×D)	563mm x 683mm x 721mm (22.2" x 26.8" x 28.4")	
Net Weight	49.7kg (110lbs)	
Optional Accessories	SPCVR-18S01, SPW-1	

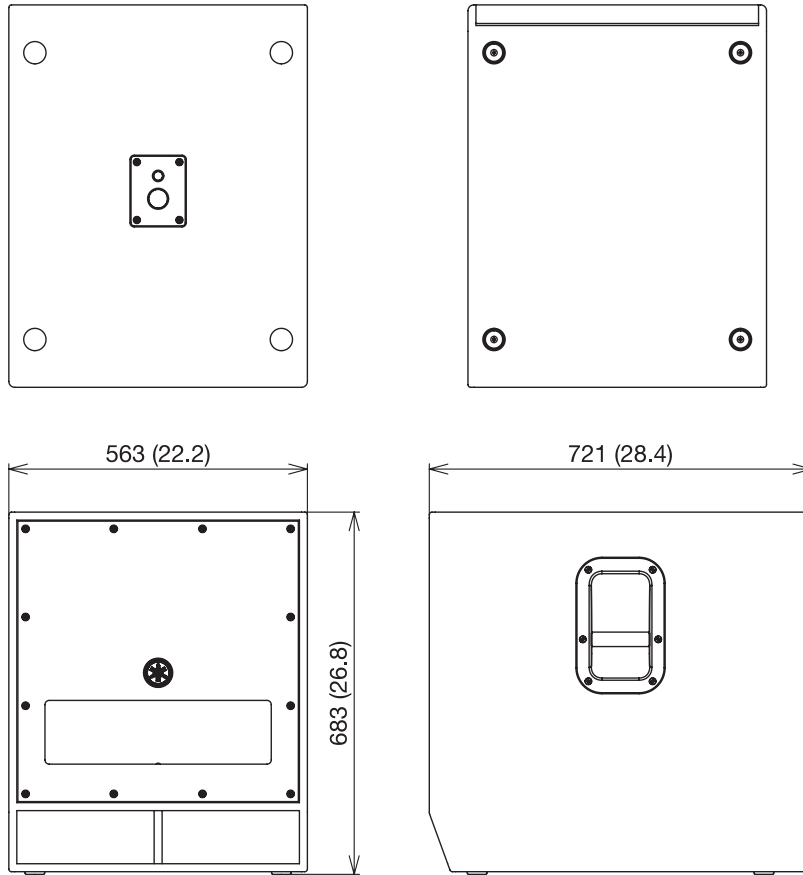
*1 Power rating (120V, 25°C). This is total value of individual output power.

Input/Output Specifications

Connectors	Input	INPUT: XLR-3-31 x 2
	Output	THRU: XLR3-32 x 2 (THROUGH or HPF POST)
Input Impedance	INPUT1: 20kΩ	
Input Sensitivity (LEVEL: Maximum)	INPUT1: 0 dBu	
Input Sensitivity (LEVEL: Center)	INPUT1: +10 dBu	
Maximum Input Level	INPUT1: +24 dBu	

Dimensions

Unit: mm (inch)



Options

- Speaker Cover SPCVR-18S01
- Wheel Kit SPW-1

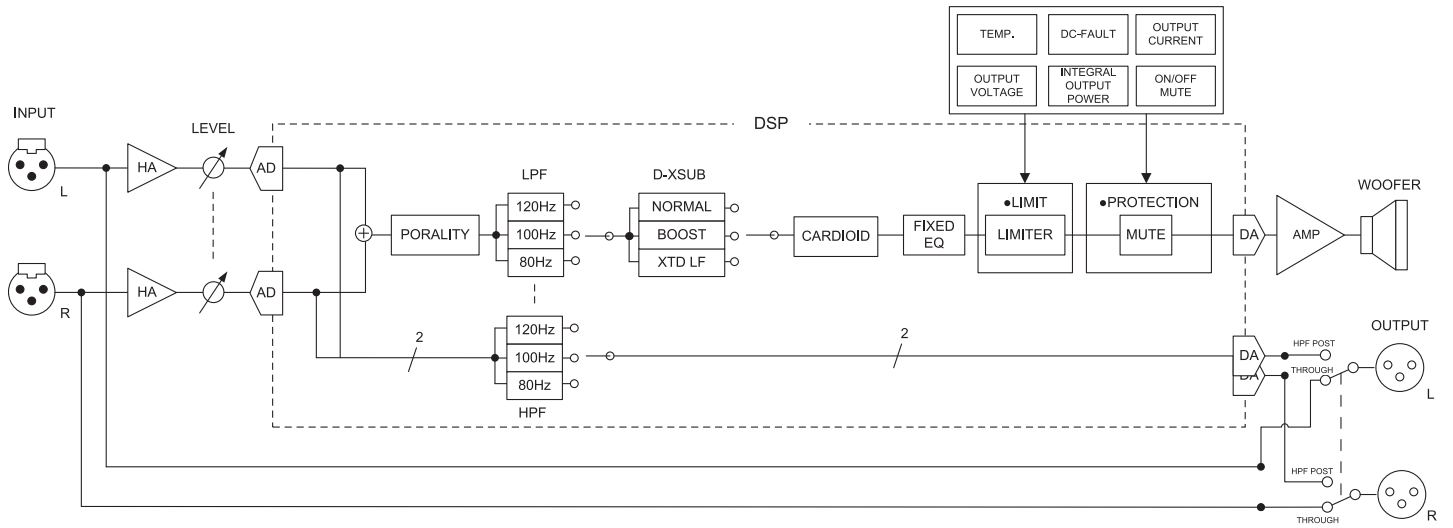
Architectural and Engineering Specifications

The Yamaha DXS18 Powered Subwoofer shall be a band-pass type subwoofer system incorporating a single 18" cone with a 4" voice coil. The subwoofer shall incorporate a class-D amplifier (1020 watts dynamic/800 watts continuous) and DSP functions such as FIR-X tuning (linear phase FIR filters) and D-XSUB (multi-band compression). The amplifier section shall be cooled by natural convection.

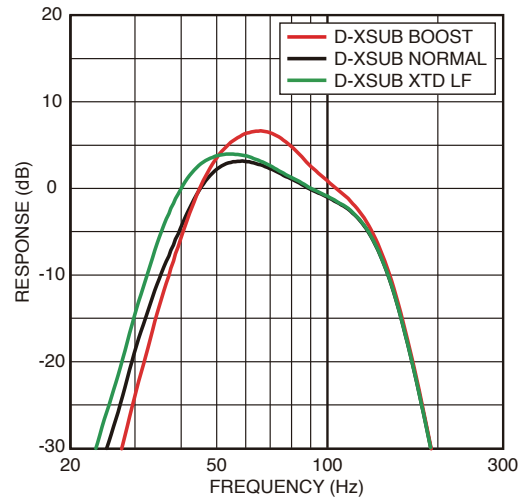
The DXS18 Powered Subwoofer shall meet the following performance criteria: Maximum SPL shall be 136 dB at 1 meter, frequency response shall be 32 Hz to 120 Hz at 10 dB below rated sensitivity.

The subwoofer shall have two XLR3-31 connectors for input and two XLR3-32 connectors for Through or HPF POST output. The cabinet shall be constructed of plywood with LINE-X® finish. 35 mm and M20 pole sockets shall be provided. Dimensions shall be 563 (W) x 683 (H) x 721 (D) mm. Weight shall be no more than 49.7 kg.

Block Diagrams



Frequency Response



*All information subject to change without notice.

*All trademarks and registered trademarks are property of their respective owners.

Created in March, 2017