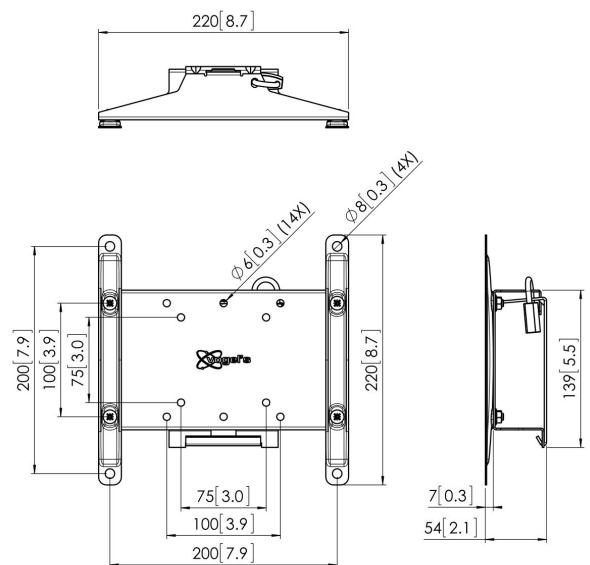


PFW 4210 Display Wall Mount tilt

The PFW 4210 Display wall mount is suitable for 10 to 43 inch displays weighing up to 30 kg. The wall mount can tilt up to 15° in steps of 5°. The PFW 4210 locking tilting wall mount helps protect flat panel displays in public areas against theft. The PFW 4210 mount is especially designed for hospitality and public areas that cannot be continuously supervised. The locking mechanism securely locks the display in place, while still allowing easy access to the display or TV for servicing. The lock also prevents the display from being accidentally knocked off the wall. For displays mounted high on the wall, tilting the display forward helps create a better viewing angle.





PFW 4210 Display Wall Mount tilt

Specifications

Article number (SKU)	7042100
Colour	Black
EAN single box	8712285331008
Product size	S
TÜV certified	Yes
Tilt	Tilt up to 15°
Guarantee	5 years
Min. screen size (inch)	10
Max. screen size (inch)	43
Max. weight load (kg/Lbs)	30 / 66.14
Max. bolt size	M6
Max. height of interface (mm)	139
Max. width of interface (mm)	220
Fischer inside	Yes
Lockable	True
Lock options	Lock included / integrated
Max. horizontal hole pattern (mm)	200
Max. screen size (inch)	43
Max. vertical hole pattern (mm)	200
Min. distance to the wall (mm / inch)	53 / 2.09
Min. horizontal hole pattern (mm)	50
Min. screen size (inch)	10
Min. vertical hole pattern (mm)	50
Universal or fixed hole pattern	Fixed

VOGEL'S HOLDING BV (©)

All rights reserved.
Subject to printing errors,
technical and price
amendments.

Date: 2023-01-30

