

Product data sheet

PFW 6800

Screen mounting kit:

- 4X M8X30 BOLT PROF POZI2/KW10 DRIVE
- 4X M8X16 BOLT PROF POZI2/KW10 DRIVE
- 4X M6X30 BOLT PROF POZI2/KW10 DRIVE
- 4X M6X16 BOLT PROF POZI2/KW10 DRIVE
- 8X SPACER 5MM
- 4X M8 WASHER

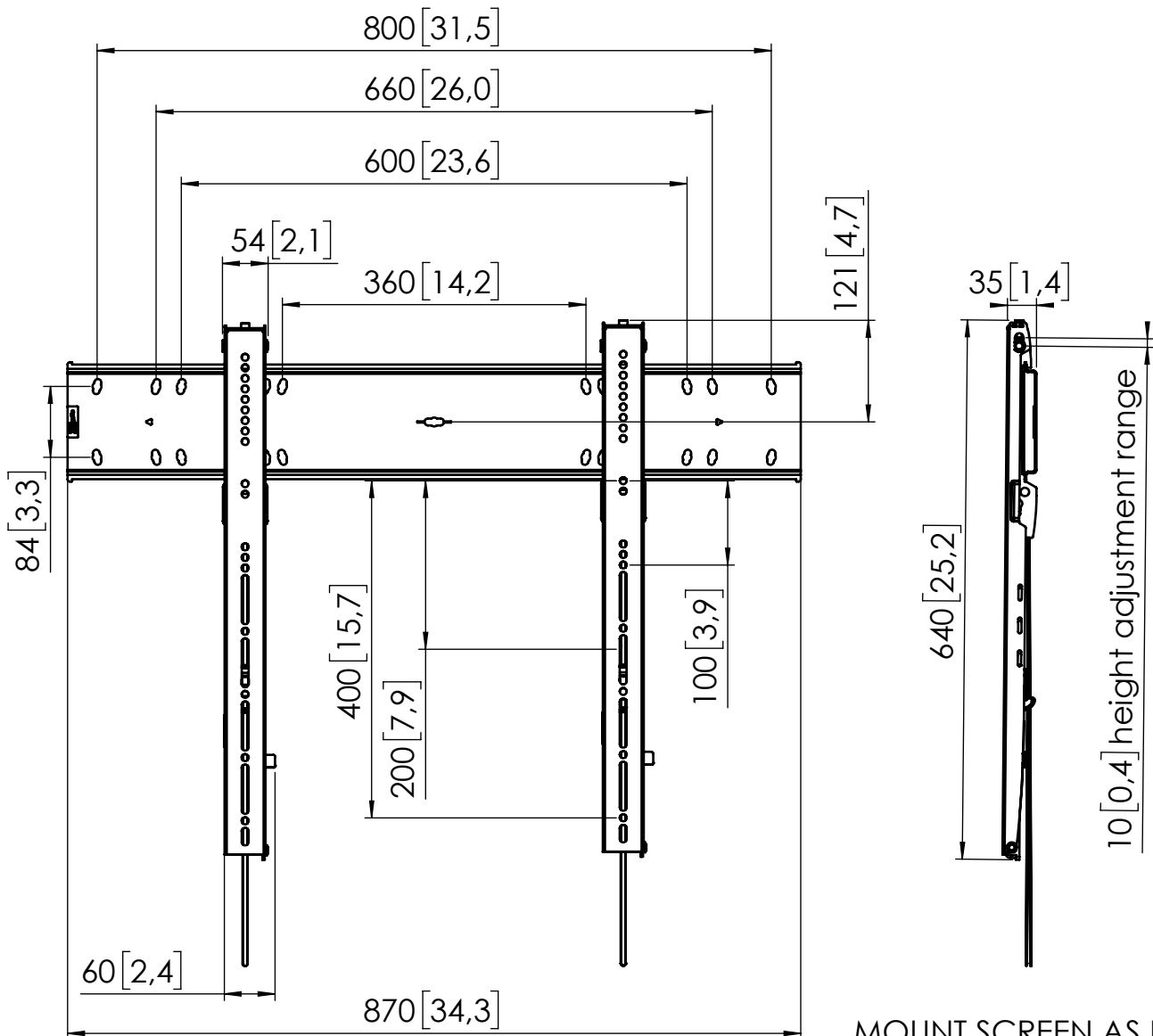
- 4X M8X30 PINLOCK DRIVE
- 4X M8X16 PINLOCK DRIVE
- 4X M6X30 PINLOCK DRIVE
- 4X M6X16 PINLOCK DRIVE
- 1X PINLOCK ALAN KEY

Dimensions in mm [inch]

Screen sizes: 55 INCH TO 80 INCH
Max weight: 100KG

Wall mounting kit:

- 6X SREW/BOLT PROF SW13 7X80
- 6X FISCHER PLUG UX10



MOUNT SCREEN AS LOW AS POSSIBLE TO STRIP FOR BEST SERVICE POSITION FUNCTION