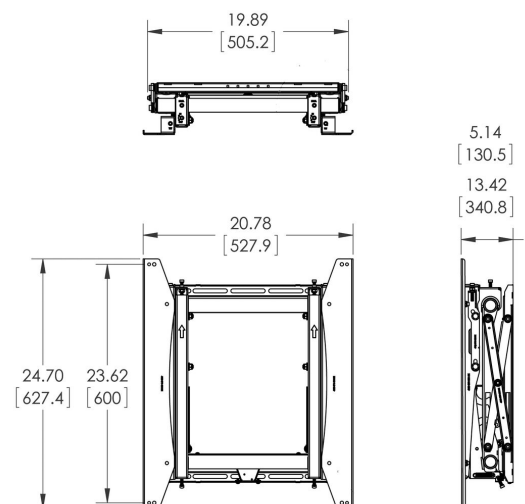




## PFW 6875 Video Wall Pop-out Wall Mount, portrait

The PFW 6875 is an adjustable pop-out video-wall mount for displays in portrait position. The PFW 6875 can be used for displays up to 72kg with mounting patterns from 200 x 200 up to 500 x 600 mm. It features multi-monitor stacking, spring-loaded release, open design, custom spacers, top adjustable mounting brackets and straight scissor-style extension.





## PFW 6875 Video Wall Pop-out Wall Mount, portrait

# Specifications

Article number (SKU)	7368750
Colour	Black
EAN single box	8712285324840
TÜV certified	Yes
Guarantee	5 years
Min. screen size (inch)	37
Max. screen size (inch)	65
Max. weight load (kg/Lbs)	72 / 158.73
Max. height of interface (mm)	627
Max. width of interface (mm)	497
Max. distance to the wall (mm / inch)	340 / 13.39
Max. horizontal hole pattern (mm)	400
Max. screen size (inch)	65
Max. vertical hole pattern (mm)	600
Min. distance to the wall (mm / inch)	127 / 5.00
Min. horizontal hole pattern (mm)	200
Min. screen size (inch)	37
Min. vertical hole pattern (mm)	200
Orientation	Portrait
Service position	Yes

VOGEL'S HOLDING BV (©)

All rights reserved.  
Subject to printing errors,  
technical and price  
amendments.

Date: 2023-01-28

