

Auto Framing 4K EPTZ Camera MG200C

MG200C camera has perfect functions and superior performance, which employs advanced ISP processing algorithms so as to provide vivid images with evenly clear brightness, strong color layering, high resolution, and fantastic color rendition. Easy and convenient to install and maintain, stable and reliable.



Features:

- **Ultra HD 4K Resolution:** 1/2.5 inch high quality CMOS sensor. Resolution is up to 4K with frame rate up to 30fps (MJPG) or 4K@15fps (H.264/H.265); compatible with 1080P and 720P.
- **ePTZ:** Support ePTZ and 4X digital Zoom
- **Built-in MIC:** built-in two omni-directional MIC pickups (3M distance); with unique noise suppression algorithm;
- **Dual stream:** USB supports both main code stream and sub-code stream output;
- **Auto Framing:** Employing superior face detection algorithm to intelligently and automatically frames all the people in the meeting
- **Wide FOV:** 83°/ 87° /120° wide angle and small distortion lens options
- **Low Noise and High SNR:** Low Noise CMOS effectively ensure high SNR of camera video, even in low light condition.
- **Multiple Installation:** Standard equipped with mold clamp. Easy to install on any devices, such as LCD screen, laptop, table and tripod.
- **Easy to Use:** No need to download driver; USB output interface; Plug and play.
- **Wide Application:** Personal video conferencing, enterprise video conferencing, collaboration meeting etc.

Phone:+86-17771843647

Tel:+86-755-33288582

E-mail:claire@minraycam.com

Web:www.minraycam.com

Address: 5&6 Floor, Building 13-A, ZhongHaiXin Technology Park, Ganli Road, Lilang Avenue, Buji, Shenzhen 518112, China

Model No.:

 MG200C-- **XX**


AM -- 83° VCM Motor Lens (Auto-focus)

BM—87° Fixed Lens

HM -- 120° Fixed Lens

Technical Specifications:

Model Number	MG200C-AM	MG200C-BM	MG200C-HM
Camera Parameter			
Image Sensor	1/2.5 Inch High Quality 4K CMOS Sensor		
Effective Pixels	8.28MP 16:9		
Video output interfaces	1 Channel USB 3.0 output, Type B; Support audio signal output		
Audio input	2*Built-in MIC pickup		
Video Format	Main Stream: 3840×2160@30fps, 1920×1080P@30fps/25fps, 1280×720P@30fps/25fps Sub Stream: 1280×720P@30fps/25fps, 640×480P@30fps/25fps, 320×172P@30fps/25fps		
View Angle	93.5°(D) /83°(H)/53.1°(V)	95 (D) /87° (H)/56° (V)	126° (D) /120° (H) /85° (V)
Focus	f=3.5mm	f=3.24mm	f=2.72mm
Aperture	F2.0±5%	F2.1	F2.5
Digital Zoom	4X		
Minimum Illumination	0.1 Lux (F1.8, AGC ON)		
DNR	2D & 3D DNR		
Ultra-low illumination mode	On/off		
White Balance	Auto / Manual/ One Push//3000K/3500K/4000K/4500K/5000K/5500K/6000K/6500K/7000K		
Focus	Auto / Manual/ One Push Focus (MG200C-AM)		
Exposure	Auto / Manual		
Backlight contrast	On/off		
SNR	≥55dB		
Auto Framing	On / off / Sensitivity		
Dual Stream	On / Off		

USB Feature	
Operation Systems	Windows 7 (1080P or lower), Windows8, Windows10, Mac osx 10.10 or higher, Linux (UVC support)
Video Compression format	MJPEG / H.264 / H.265 / YUY2
USB Audio	Support
USB communication protocol	UVC, UAC
PTZ control	Support EPTZ

Phone:+86-17771843647

Tel:+86-755-33288582

E-mail:claire@mingricctv.com

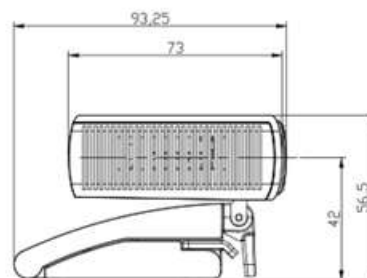
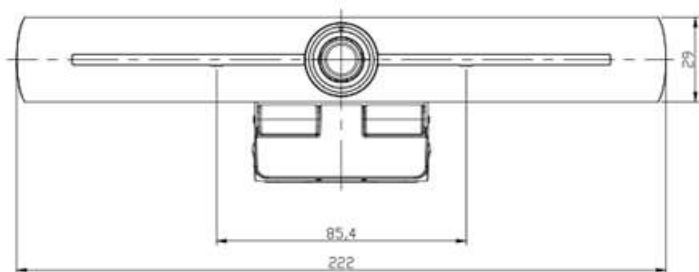
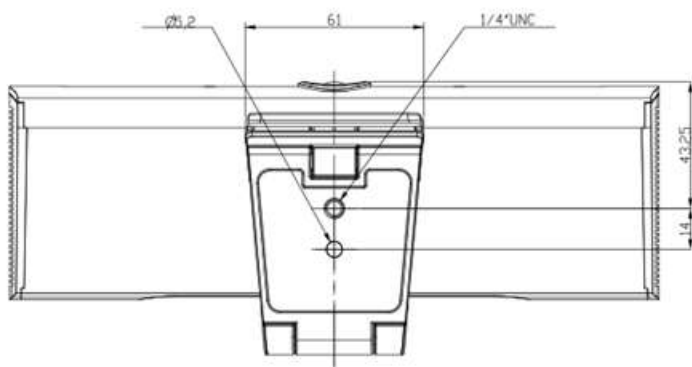
Web:www.minrraycam.com

Address: 5&6 Floor,Building 13-A,ZhongHaiXin Technology Park,Ganli Road,Lilang Avenue,Buji,Shenzhen 518112,China

Hardware Requirement	2.4 GHz Intel@ Core 2 Duo or higher, 2GB or higher, USB 2.0 port(USB 3.0 for 4K)
-----------------------------	---

Other Parameter	
Input Voltage	5V
Input Current	1A(max)
Power consumption	5W(Max.)
Store Temperature	-10℃ ~ +60℃
Store Humidity	20% ~ 90%
Working Temperature	-10℃ ~ +50℃
Working Humidity	20% ~ 80%
Dimension (WXHxD)	222mm×93.25mm×56.5mm
Weight	Around 0.53kg
Application	Indoor
Accessory	User Manual, USB3.0 Cable, Remote controller

Dimension (unit: mm)



Phone:+86-17771843647

Tel:+86-755-33288582

E-mail:claire@minricctv.com

Web:www.minrraycam.com

Address: 5&6 Floor,Building 13-A,ZhongHaiXin Technology Park,Ganli Road,Lilang Avenue,Buji,Shenzhen 518112,China