

UV580 series Full HD PTZ Camera

Full HD, Wide View Angle, Multi-protocols, Multiple Video Interfaces, Multi-lens

The UV580 series Full HD PTZ Camera offers perfect functions, superior performance and rich interfaces. The features include advanced ISP processing algorithms to provide vivid images with a strong sense of depth, high resolution, and fantastic color rendition. It supports H.264/H.265 encoding which makes motion video fluent and clear even under less than ideal bandwidth conditions.



Key Features

- **Superb High-definition Image**
UV580 employs **1/2.8 inch** high quality CMOS sensor. Resolution is up to 1920x1080 with frame rate up to 60fps.
- **Multiple Optical Zoom:** 5X, 10X, 12X, 20X, 30X optical zoom lens for options. 5X zoom lens is with 83.7 ° wide view angle without distortion.
- **Trinity image auto-focusing technology**
Focus on intelligent image processing, to provide automatic white balance (AWB), automatic exposure (AE), automatic focusing (AF) function, fully automatically adapt to the environment, to achieve the best image effect, perfect trinity image automatic adjustment.
- **Low Noise and High SNR**
Low noise CMOS ensures super high SNR image. The advanced 2D/3D noise reduction technology reduces the noise while ensuring high image clarity.
- **Multiple Video Output Interfaces**
HDMI, SDI, CVBS and LAN ports for video output. Both video and audio can be output from HDMI, SDI, LAN at the same time. The transmission distance of SDI 1080p60 is up to 100 meters.
- **Multiple Audio/Video Compression**
LAN support H.264/H.265 video compression. Support 8000, 16000, 32000, 44100, 48000 sampling frequency and AAC, MP3, G711A audio coding.
- **Video / Audio Record and Store:** USB2.0 interface supports U disk storage, real-time record and store
- **Built-in gravity sensor**
Built-in gravity sensor supports PTZ auto-flip function and easy to install.
- **Multiple Network Protocol**
Supports ONVIF, GB/T28181, RTSP, RTMP protocols; RTMP push mode, easy to be connected to streaming server (Wowza, FMS); support RTP multicast mode and VISCA control protocol.
- **Multiple Control protocol**
RS422 (compatible with RS485); RS232 in & out; RS232 supports cascade function
- **Extremely Quiet PTZ**
Adopting step driving motor mechanism and motor drive controller with high precision to ensure PTZ works smoothly and no noise.
- **Multiple Preset**
Support 255 preset positions (the remote controller is set to 10 preset positions).
- **Multiple Remote Controller**
User can choose to use IR remoter or wireless remoter according to the working environment. The 2.4G wireless remoter will not be affected by angle, distance or infrared interfere. Support remoter signal pass through function, which is convenient for back-end use.
- **Multiple Applications**
Online-education, Lecture Capture, Broadcasting, Video conferencing, Tele-medicine, Unified Communication, Emergency command and control systems, etc.

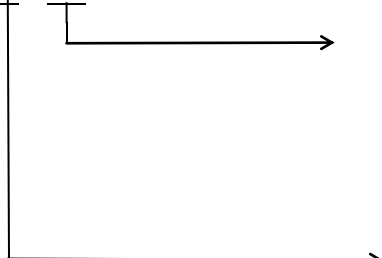
Phone: [+86-17771843647](tel:+86-17771843647)

Tel: [+86-755-33288582](tel:+86-755-33288582)

E-mail: claire@minrraycam.com

Web: www.minrraycam.com

Address: 5&6 Floor, Building 13-A, ZhongHaiXin Technology Park, Ganli Road, Lilang Avenue, Buji, Shenzhen 518112, China

Order No.
UV580—XX—XX

 IR---IR Remoter
 WR---Wireless Remoter

 05---5X Optical Zoom
 10---10X Optical Zoom
 12---12X Optical Zoom
 20--20X Optical Zoom
 30--30X Optical Zoom

Technical Specifications:

Model	UV580-05	UV580-10	UV580-12	UV580-20	UV580-30
Camera Parameter					
Optical Zoom	5X f=3.1~15.5mm	10X f=4.34~41.6mm	12X f=3.9~46.8mm	20X f=5.5~110mm	30X f=4.3~129mm
View Angle	20° (tele) 83.7° (wide)	8.58° (tele) 68.07° (wide)	6.3° (tele) 72.5° (wide)	3.3° (tele) 54.7° (wide)	2.34° (tele) 65.1° (wide)
AV	F1.8 – F2.8	F1.85– F2.63	F1.8 – F2.4	F1.6 – F3.5	F1.6 – F4.7
Sensor	1/2.8 inch high quality HD CMOS sensor				
Effective Pixels	16: 9, 2.07 megapixel				
Video Format	HDMI/SDI video format 1080P60, 1080P50, 1080I60, 1080I50, 1080P30, 1080P25, 720P60, 720P50; CVBS: 576i 480i "P": progressive scanning image "I" : interlaced scanning image				
Minimum Illumination	1Lux(F1.8, AGC ON)				
DNR	2D & 3D DNR				
White Balance	Auto / Manual/ One Push/ Specify color temperature				
Focus	Auto/Manual/One Push Focus				
Exposure model	Auto/Manual/shutter priority/ aperture priority/brightness priority				
Aperture	F1.8 ~ F11 CLOSE				
Shutter Speed	1/25~1/10000				
BLC	ON/OFF				
WDR	OFF/ Dynamic level adjustment				

Phone:+86-17771843647

Tel:+86-755-33288582

 E-mail:claire@mingricctv.com

 Web:www.minrraycam.com

Address: 5&6 Floor,Building 13-A,ZhongHaiXin Technology Park,Ganli Road,Lilang Avenue,Buji,Shenzhen 518112,China

Video Adjustment	Brightness, Color, Saturation, Contrast, Sharpness, B/W mode, Gamma curve
SNR	≥50dB
Input/Output Interface	
Video Interfaces	UV580-ST Model: HDMI, SDI, LAN (POE), CVBS, WiFi(optional),RS232-IN/OUT, RS422 (compatible with RS485),A-IN, USB2.0 (u-disk storage only)
Video Output	HDMI, SDI, LAN, CVBS, WiFi(optional)
Video Compression Format	LAN Interface: H.265, H.264, Dual stream output
Audio Input Interface	Double track 3.5mm linear input
Audio Output Interface	HDMI, SDI, LAN, WiFi(optional)
Audio Compression Format	AAC/MP3/G.711 A
Network interface	100M IP port (10/100BASE-TX)
Network Protocol	RTSP, RTMP, ONVIF, GB/T28181, Support network VISC A control protocol Support remote upgrade, remote restart, remote reset
Control Interface	RS232-IN, RS232-OUT, RS422(compatible with RS485)
Control Protocol	VISCA/Pelco-D/Pelco-P, Baud Rate: 115200/38400/9600/4800/2400bps
Power Interface	HEC3800 outlet (DC12V)
Powe Supply	Input AC110V-AC220V; output DC12V/2.5A
Input Voltage	DC12V±10%
Input Current	Maximum: 1A
Power Consumption	Maximum: 12W
PTZ Parameter	
Pan/Tilt Rotation	±170°, -30°~+90°
Pan Control Speed	0.1 -50°/sec
Tilt Control Speed	0.1-30°/sec
Preset Speed	Pan: 60°/sec, Tilt: 30°/sec
Preset Number	255 presets (10 presets by remote controller)
Other Parameter	
Stored Temperature	-10°C~+60°C
Storage Humidity	20%~95%
Working Temperature	-10°C~+50°C

Phone:+86-17771843647

Tel:+86-755-33288582

 E-mail:claire@minrraycam.com

 Web:www.minrraycam.com

Address: 5&6 Floor, Building 13-A, ZhongHaiXin Technology Park, Ganli Road, Lilang Avenue, Buji, Shenzhen 518112, China

Working Humidity	20%~80%
Dimension	143mmX176mmX169mm
Weight	1.3KG
Application	Indoor
Accessory	
Package	Power supply, RS232 control cable, Remote Controller, User Manual
Optional Accessories	Ceiling / Wall Mount (Extra Cost)

Dimension (unit:mm)

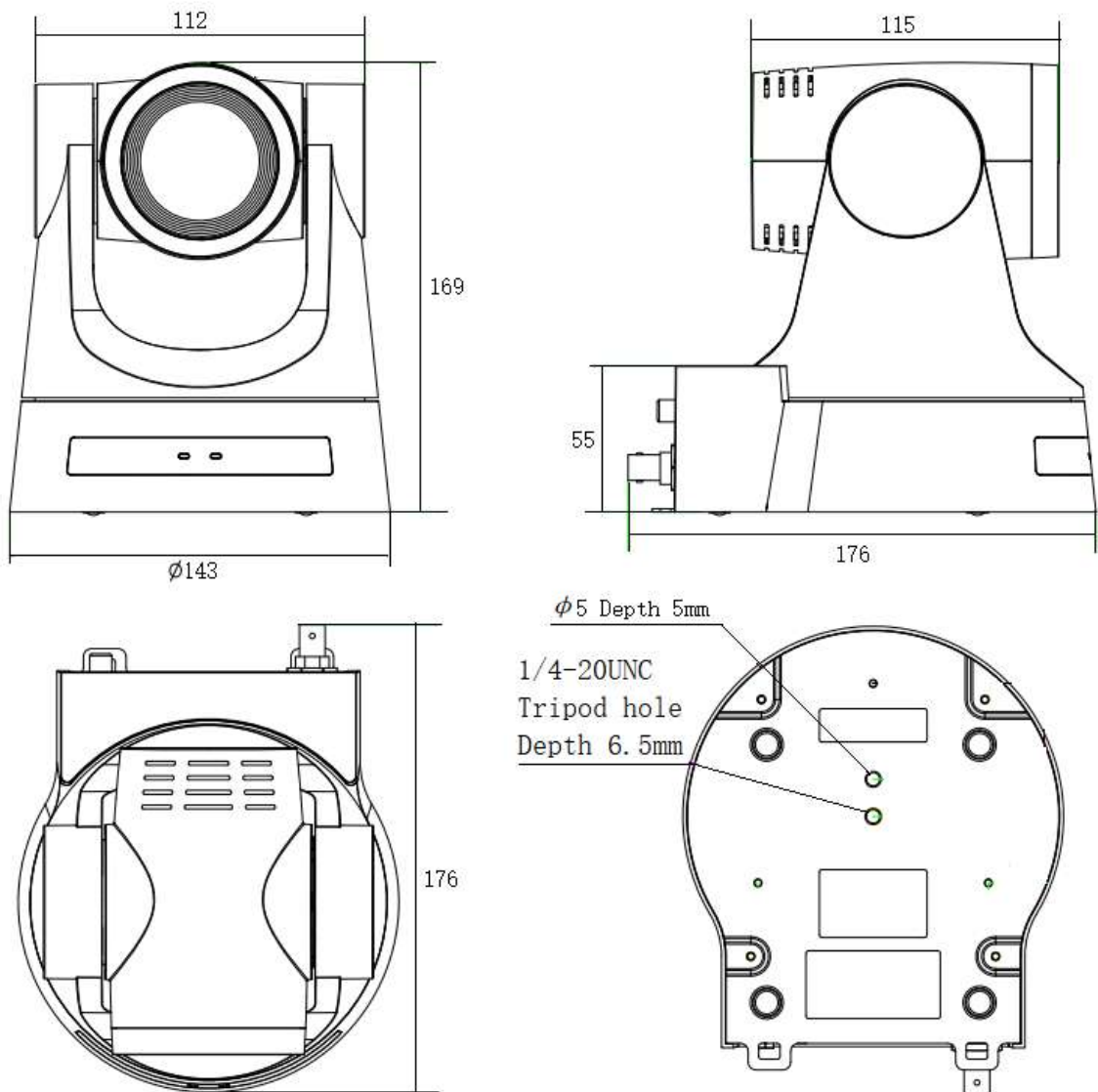
Phone: [+86-17771843647](tel:+86-17771843647)

Tel: [+86-755-33288582](tel:+86-755-33288582)

E-mail: claire@minrraycam.com

Web: www.minrraycam.com

Address: 5&6 Floor, Building 13-A, ZhongHaiXin Technology Park, Ganli Road, Lilang Avenue, Buji, Shenzhen 518112, China



Phone: +86-17771843647

Tel: +86-755-33288582

E-mail: claire@minrraycam.com

Web: www.minrraycam.com

Address: 5&6 Floor, Building 13-A, ZhongHaiXin Technology Park, Ganli Road, Lilang Avenue, Buji, Shenzhen 518112, China