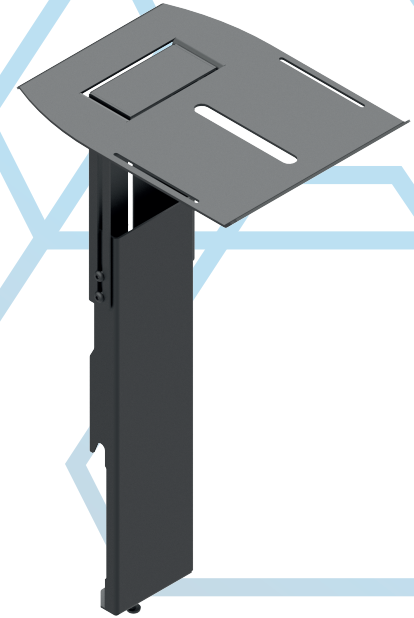


# CHV4

## VIDEO CONFERENCING CAMERA HOLDER

FOR TRV SERIES TRV100, TRV300



### PRODUCT SPECIFICATIONS

Short index	CHV4
Product group	Trolleys & Stands
Category	Accessories
Colour	Black
Warranty	Limited 5-years
Minimum screen size	40"
Maximum screen size	55"
Maximum load	2 kg



40"-55"



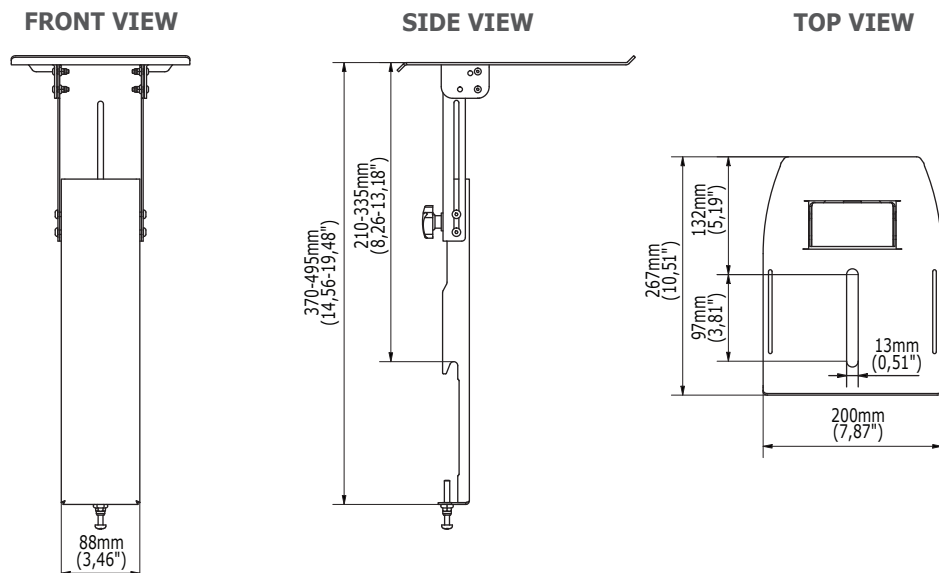
2 kg



### TECHNICAL SPECIFICATIONS

Product dimensions	W: 200 mm D: 267 mm H: 370 mm (W:7,87" D:10,51" H:14,56")
Product weight	2,3 kg (5,07 lb)
Max. distance from mounting surface	335 mm (13.18")
Min. distance from mounting surface	210 mm (8,26")

### TECHNICAL DRAWINGS



### LOGISTICS DATA

SAP INDEX	EAN CODE	COLOUR	PACKAGE DIMENSIONS	PACKAGE WEIGHT
WWTR-CHV4	5902841133976	BLACK	535 x 175 x 130 mm 21,06 x 6,88 x 5,12"	2,5 kg 5,51 lb

HS Code (Harmonized System): 732690, HTS Code (Harmonized Tariff Schedule): 7326909890, Country of Origin: Poland