

Assembly Guide

Mounting Options and Accessories for Lightware Devices

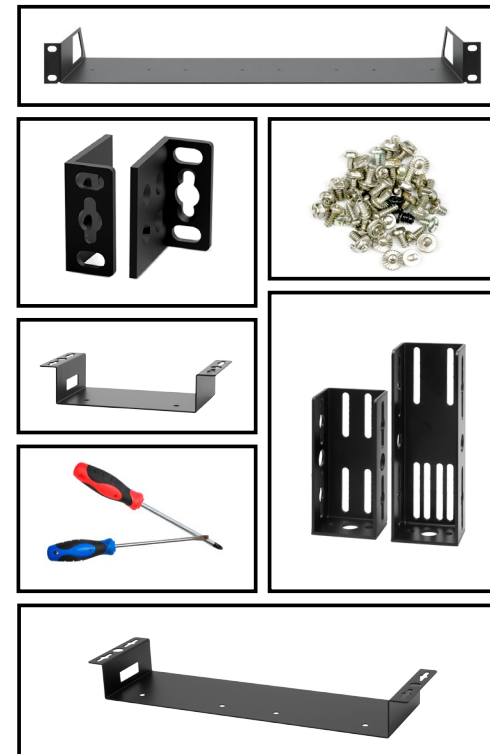


Table of Contents

- ▶ INTRODUCTION
- ▶ MOUNTING ACCESSORIES OVERVIEW
- ▶ RACK SHELF
- ▶ RACK EARS
- ▶ UNDER DESK MOUNTING KIT
- ▶ UNDER DESK MOUNTING KIT DOUBLE
- ▶ UD MOUNTING PLATE F100 AND UD MOUNTING PSU F100/F110/F120
- ▶ UD MOUNTING PRO P110
- ▶ UD MOUNTING PRO P210 AND UD MOUNTING PRO P120/P130
- ▶ PRC-16 SERIES RACKMOUNT CAGE
- ▶ UD MOUNTING PLATE F110
- ▶ UD MOUNTING PLATE F120
- ▶ UD MOUNTING PRO P140
- ▶ MOUNTING BRACKET
- ▶ MOUNTING BRACKET V2
- ▶ VESA100 MOUNTING ADAPTER
- ▶ QUARTER-RACK-SIZED DEVICES
- ▶ HALF-RACK-SIZED DEVICES
- ▶ THIRD-RACK-SIZED DEVICES
- ▶ FULL-RACK-SIZED DEVICES
- ▶ UCX DEVICES

Document Information

Document revision: **v2.4**

Release date: **10-05-2024**

Editor: Laszlo Zsedenyi, Nikolett Keindl

Contact Us

sales@lightware.com

+36 1 255 3800

support@lightware.com

+36 1 255 3810

Lightware Visual Engineering PLC.

Peterdy 15, Budapest H-1071, Hungary

www.lightware.com

©2024 Lightware Visual Engineering. All rights reserved. All trademarks mentioned are the property of their respective owners. Specifications subject to change without notice.

1

Introduction

In this chapter we would like to introduce the available mounting accessories and their mounting options.

1.1. Introduction

The design of Lightware devices allows easy mounting. The holes on the housing can be used to fix the device to a rack or a piece of furniture. Numerous accessories are available, which can be ordered from Lightware, please contact sales@lightware.com.

WARNING! Never block the ventilation holes on any side of the installed device! Ensure proper ventilation by allowing free airflow.

ATTENTION! Always use the screws supplied with the accessories. If other screws have to be used, pay attention to their length, as longer screws may touch internal parts.

ATTENTION! Please unplug all cables from the device before performing the steps described below.

1.2. Mounting Accessories Overview



Rack Shelf
55401179



Rack Cover Half
55400272



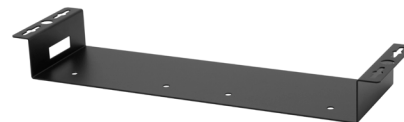
Rack Cover Quarter
55400271



Rack Ears
52400959



Under Desk Mounting Kit
55400275



Under Desk Mounting Kit Double
55400276



UD Mounting Plate F100 and UD Mounting PSU F100/F110/F120
55450273
55450274 / 55450275 / 55450353



UD Mounting Pro P110
52401208



UD Mounting Pro P210 and UD Mounting Pro P120/P130
52401206
52401209 / 52401207



UD Mounting Plate F110
55450366



UD Mounting Pro P140
55450376



Mounting Bracket V2
55400273



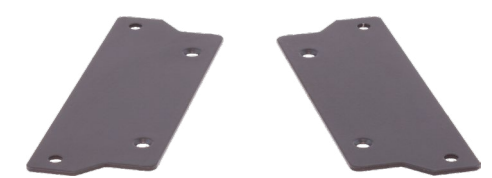
PRC-16 series Rackmount Cage
91340017 / 91340036



UD Mounting Plate F120
55450365



Mounting Bracket
55400274



VESA100 Mounting Adapter
55401127

1.3. Rack Shelf

WARNING! Always make sure to use screws supplied with your device (if there are any), as they are device-specific. The screws supplied with the accessories are longer and may be incompatible with some devices due to danger of touching internal parts and damaging the device. If your Lightware device is supplied with fixing screws, use them for fixing.

The 1U high rack shelf provides mounting holes for fastening two 1/2-rack or four 1/4-rack size units. Pocket sized devices can also be fastened to the shelf.



The rack shelf provides holes for device mounting

Supplied accessories

- 10 pcs. PZ flat head screw (M3x6mm).

Mounting Steps

- Step 1.** Turn the device(s) upside down.
- Step 2.** Put the rack shelf upside down on the device. Position it to align the mounting holes.
- Step 3.** Fasten the device on the rack shelf with the provided screws.
- Step 4.** Mount the rack shelf in the rack.

Optional Accessories

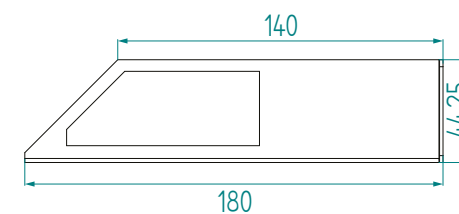
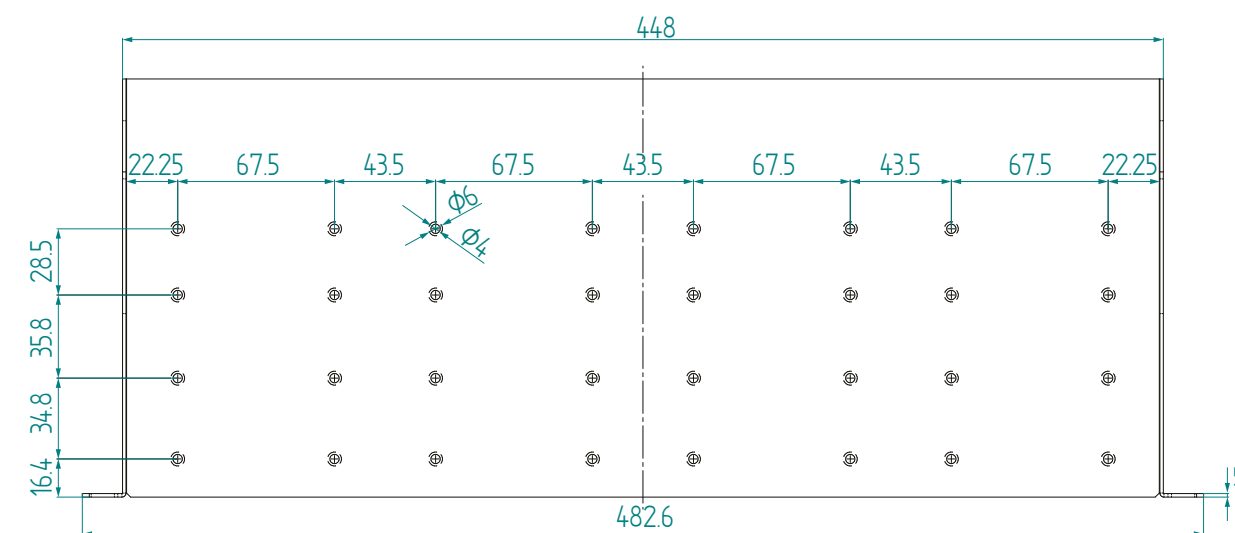
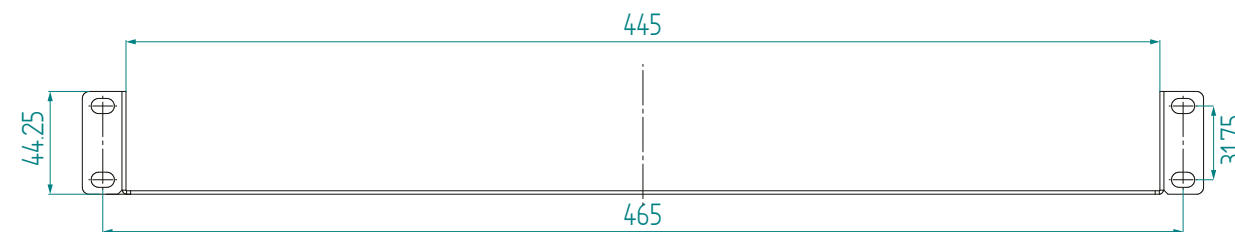


Rack Cover Half



Rack Cover Quarter

Mechanical Drawings - Rack Shelf



1.4. Rack Ears

Certain Lightware devices are assembled with special ears allowing standard rack mounting and other mounting options.



Rack Mounting (default position)

Mounting Under Desk

ATTENTION! Two more rack ears are necessary for this kind of installation, which can be purchased separately.



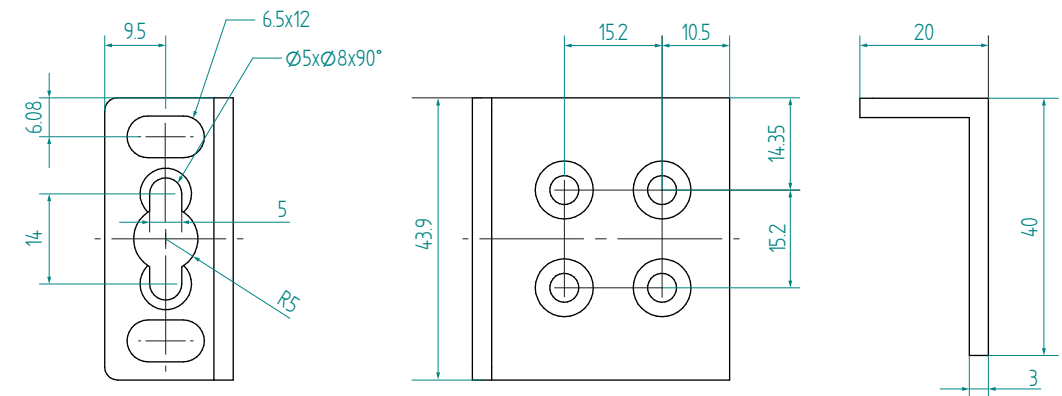
Mounting Under Desk

Mounting Steps

- Step 1.** Release and remove the fixing screws of the rack ears on the device (both sides).
- Step 2.** Rotate the rack ears by 90° to the desired direction.
- Step 3.** Insert the screws into the holes and fix the front ears to the device.
- Step 4.** Fix the two additional rear ears (not supplied with the product) by the screws on both sides of the device.
- Step 5.** Fix the device through the holes of the rack ears to the desired surface (screws are not supplied).

INFO: The method is the same when the device is mounted to a wall.

Mechanical Drawings - Rack Ears



1.5. Under Desk Mounting Kit

WARNING! Always make sure to use screws supplied with your device (if there are any), as they are device-specific. The screws supplied with the accessories are longer and may be incompatible with some devices due to danger of touching internal parts and damaging the device. If your Lightware device is supplied with fixing screws, use them for fixing.

The Under-Desk Mounting Kit (UD-kit) makes it easy to mount a single device on any flat surface (e.g. furniture).

Dimensions with mounting ears: 131,4 W x 67,6 D x 27,5 H mm.



Under Desk Mounting Kit with a TPS Extender

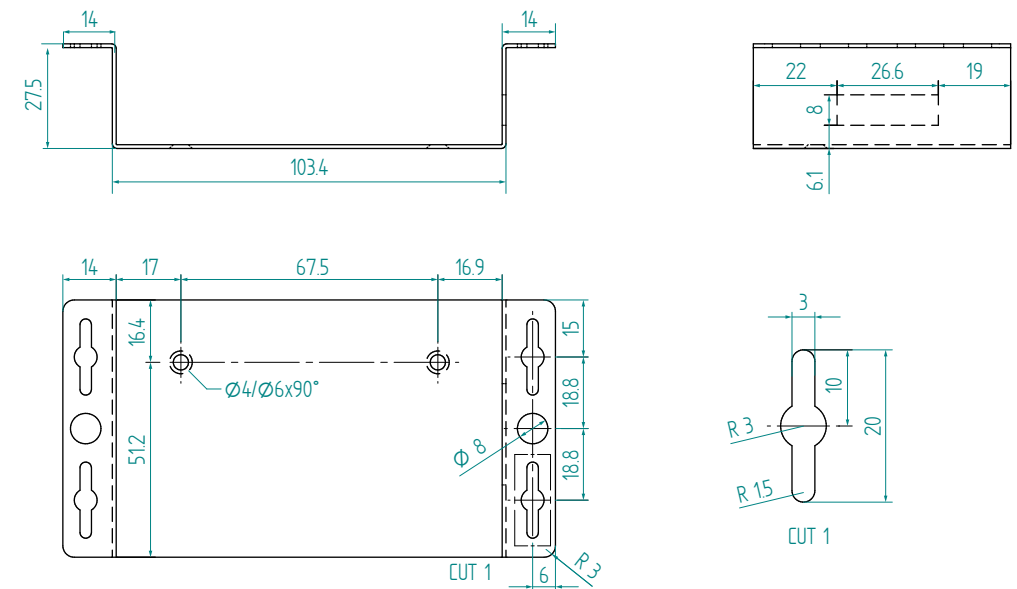
Supplied Accessories

- 4 pcs. PZ flat head screw (M3x6mm).

Mounting Steps

- Step 1.** Turn the device upside down.
- Step 2.** Put the UD-kit upside down on the device and position it to get the mounting holes aligned.
- Step 3.** Fasten the device on the UD-kit with the provided screws.
- Step 4.** Mount the UD-kit to the desired place.

Mechanical Drawings - Under Desk Mounting Kit



1.6. Under Desk Mounting Kit Double

WARNING! Always make sure to use screws supplied with your device (if there are any), as they are device-specific. The screws supplied with the accessories are longer and may be incompatible with some devices due to danger of touching internal parts and damaging the device. If your Lightware device is supplied with fixing screws, use them for fixing.

The Under-Desk Mounting Kit Double (UD-kit double) makes it easy to mount a single device or multiple devices on any flat surface (e.g. furniture).

Dimensions with mounting ears: 252 W x 67,6 D x 27,5 H mm.



UD Mounting Kit Double with a TP Extender

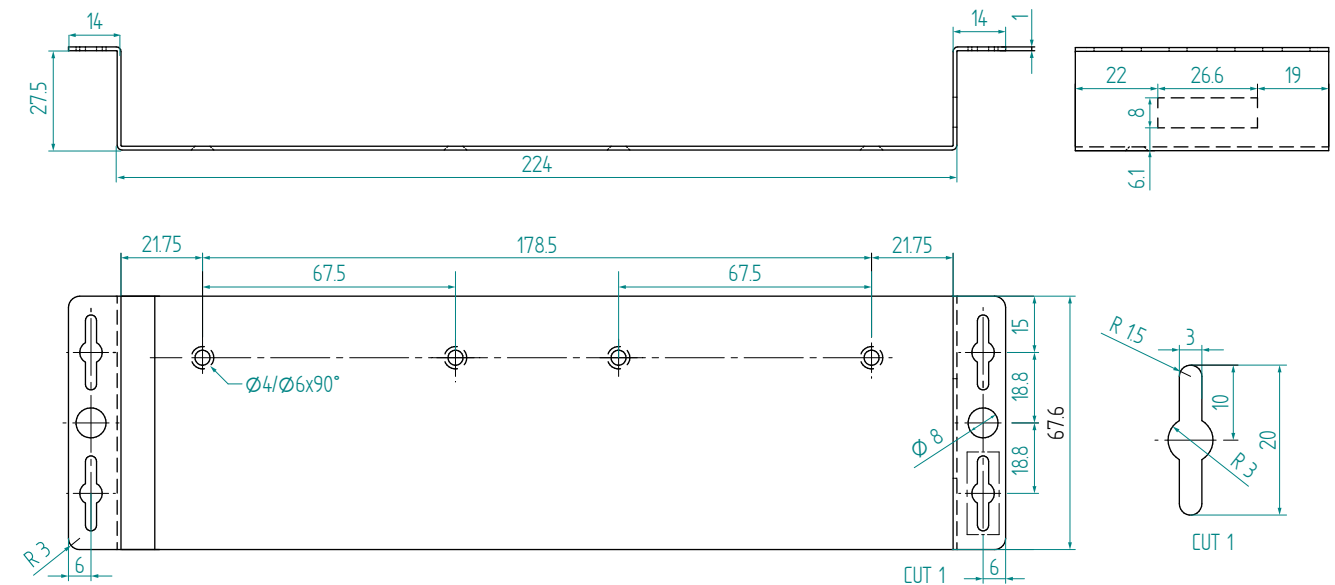
Supplied Accessories

- 4 pcs. PZ flat head screw (M3x6mm).

Mounting Steps

- Step 1.** Turn the device upside down.
- Step 2.** Put the UD-kit double upside down on the device and position it to get the mounting holes aligned.
- Step 3.** Fasten the device on the UD-kit double with the provided screws.
- Step 4.** Mount the UD-kit double to the desired place.

Mechanical Drawings - Under Desk Mounting Kit Double



1.7. UD Mounting Plate F100 and UD Mounting PSU F100/F110/F120

WARNING! Always make sure to use screws supplied with your device (if there are any), as they are device-specific. The screws supplied with the accessories are longer and may be incompatible with some devices due to danger of touching internal parts and damaging the device. If your Lightware device is supplied with fixing screws, use them for fixing.

The F100 Mounting Plate and F100/F110/F120 PSU provides easy mounting for Taurus UCX devices to a flat surface (e.g. furniture).

ATTENTION! The dimensions of the actual PSU's are different. The **UD Mounting PSU F100** is for fixing the **PSU-24VP3-160**, the **UD Mounting PSU F110** is for fixing the **PSU-24VP3-120**, and the **UD Mounting PSU F120** is for fixing the **PSU-24VP3-220**.

INFO: Please note that this UD Mounting Kit is only available for Taurus UCX devices.

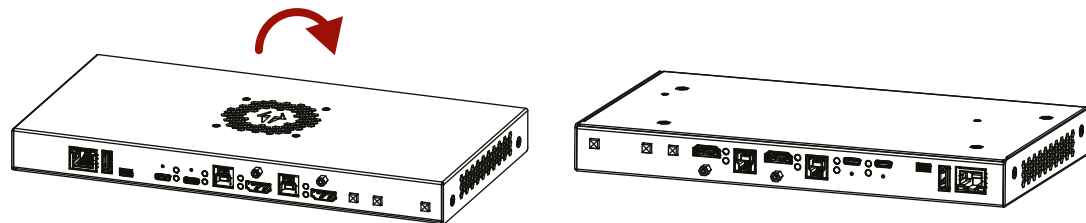


Supplied Accessories

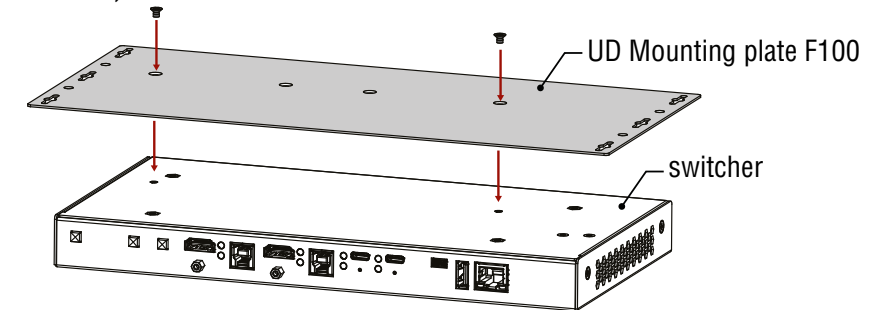
- 2 pcs. of PZ flat head screw (M3x6mm)

Mounting steps

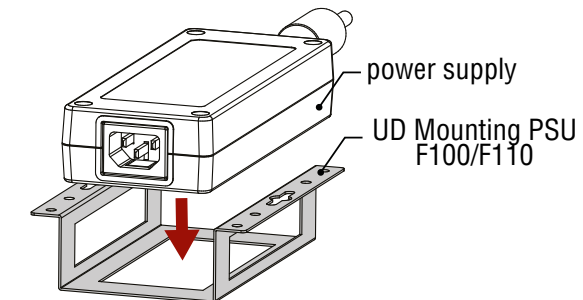
Step 1. Turn the switcher and the power adaptor upside down.



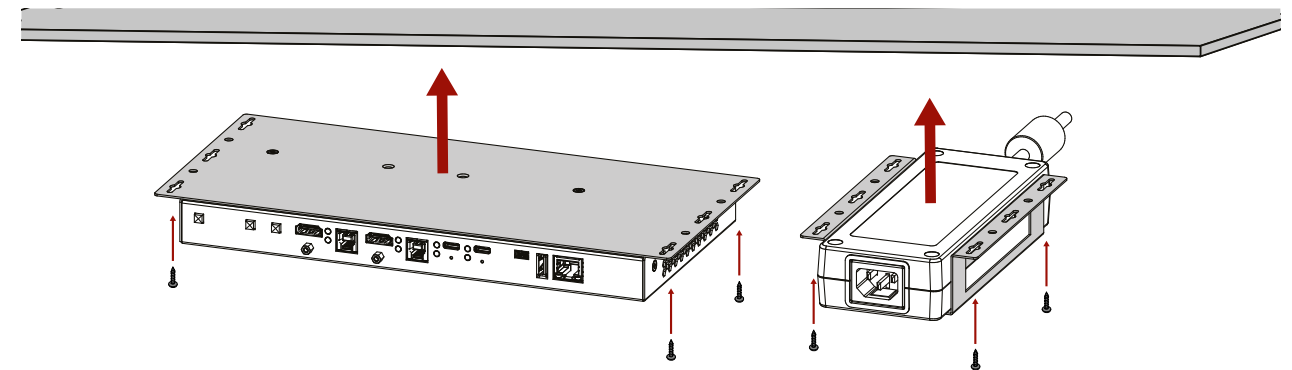
Step 2. Fix the UD Mounting plate F100 to the switcher by fastening the screws (these 2pcs screws are supplied with the switcher).



Step 3. Insert the power supply into the UD Mounting PSU F100/F110/F120.



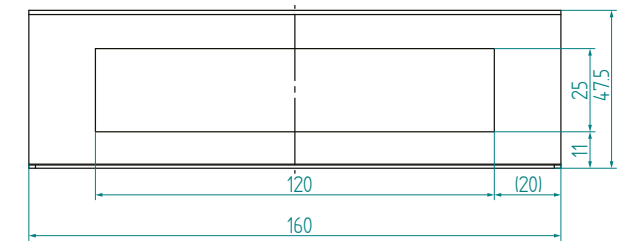
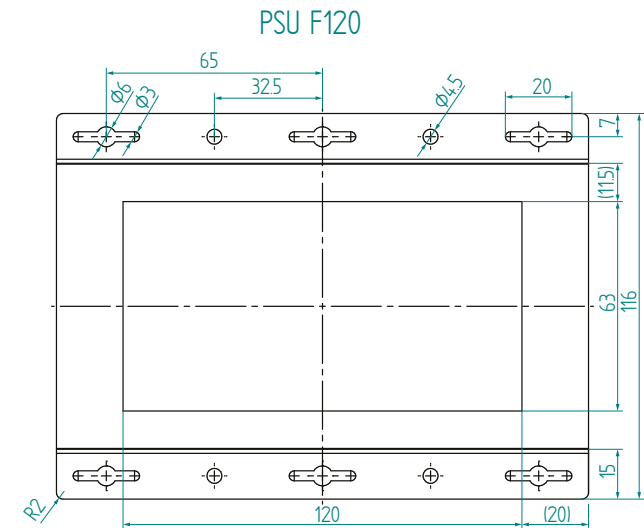
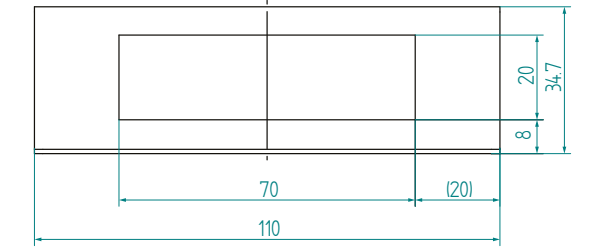
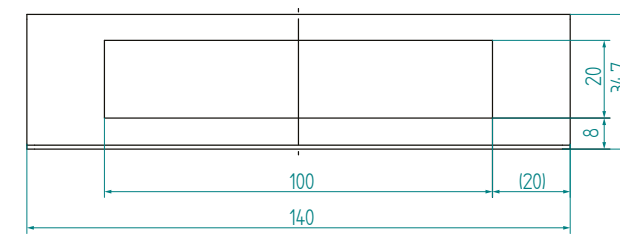
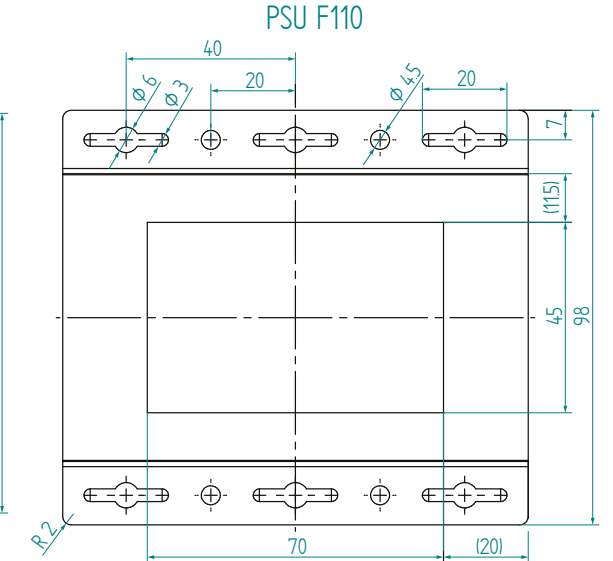
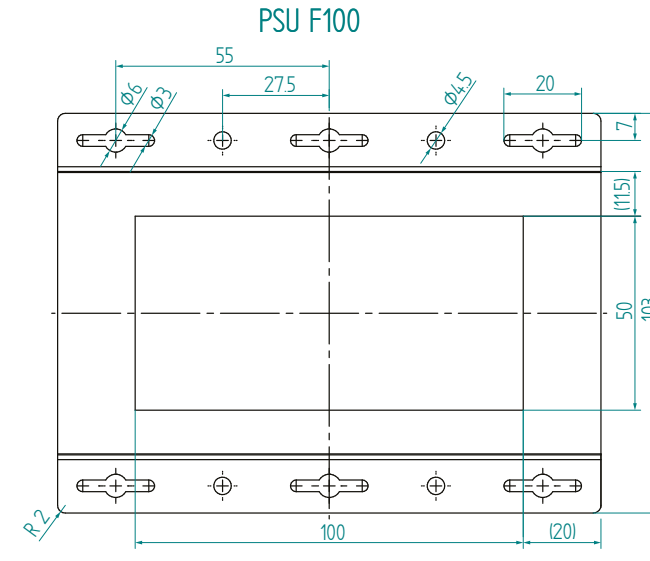
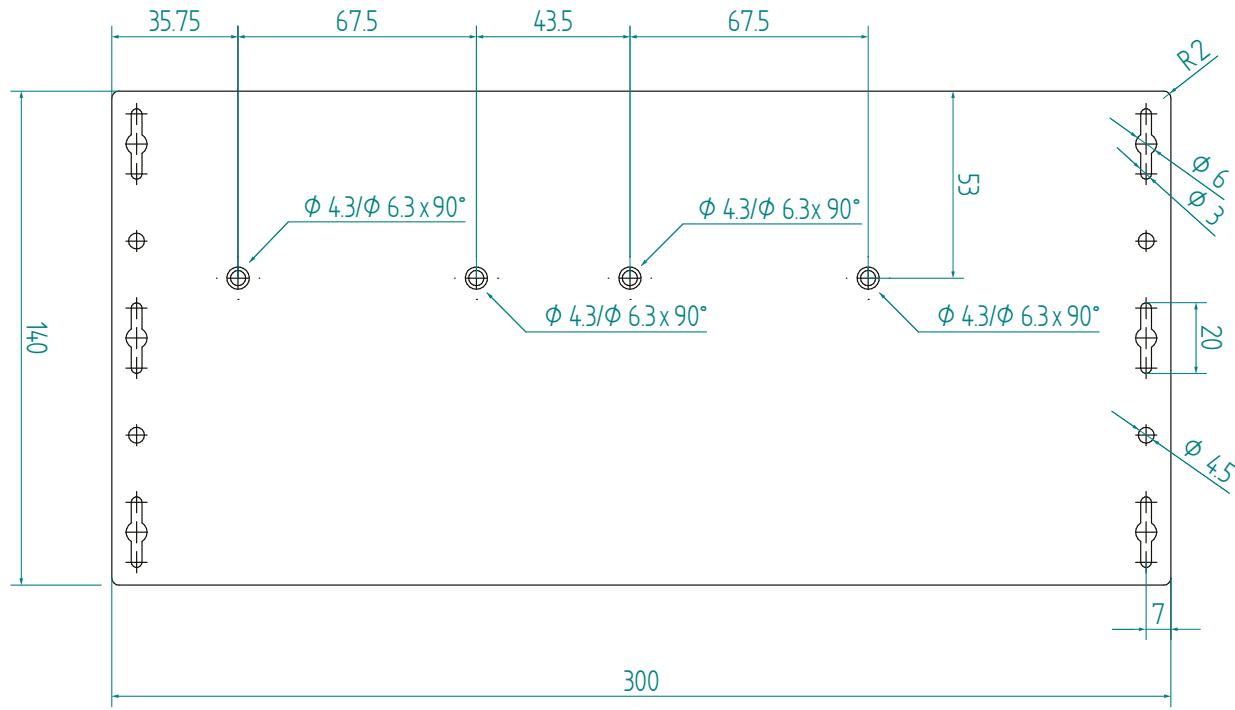
Step 4. Fix the UD Mounting plate F100 and UD Mounting PSU F100/F110/F120 under the desk by fastening the screws.



INFO: UD Mounting plate F100 and UD Mounting PSU F100/F110/F120 do not contain the fixing screws; they can be purchased from the local hardware store. 2x4pcs M3-M5 metric or wood screws are needed, M3 size is recommended.

ATTENTION! To ensure the correct ventilation and avoid overheating, insert the switcher face down to the UD Mounting plate F100 to keep the ventilation holes free.

Mechanical Drawings - UD Mounting Plate F100 and PSU F100/F110/F120



1.8. UD Mounting Pro P110

WARNING! Always make sure to use screws supplied with your device (if there are any), as they are device-specific. The screws supplied with the accessories are longer and may be incompatible with some devices due to danger of touching internal parts and damaging the device. If your Lightware device is supplied with fixing screws, use them for fixing.

The P110 Mounting Kit provides holes for fastening one 1/4-rack-sized unit, which then can be attached to a flat surface (e.g. furniture).



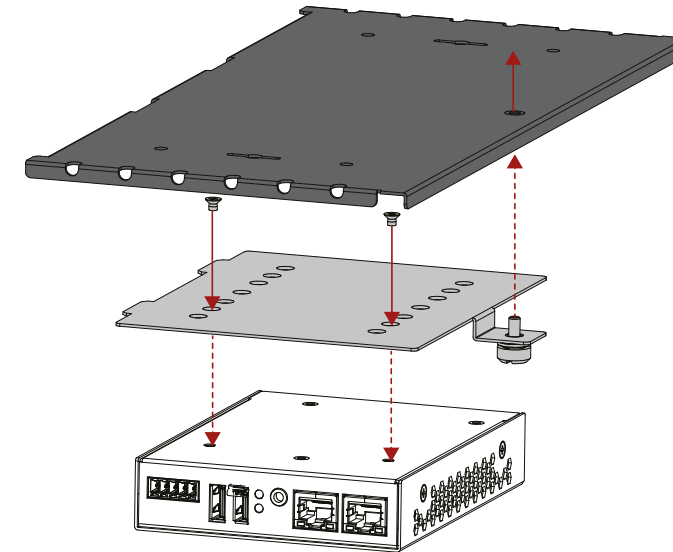
The mounting kit provides easy mounting to flat surfaces

Supplied Accessories

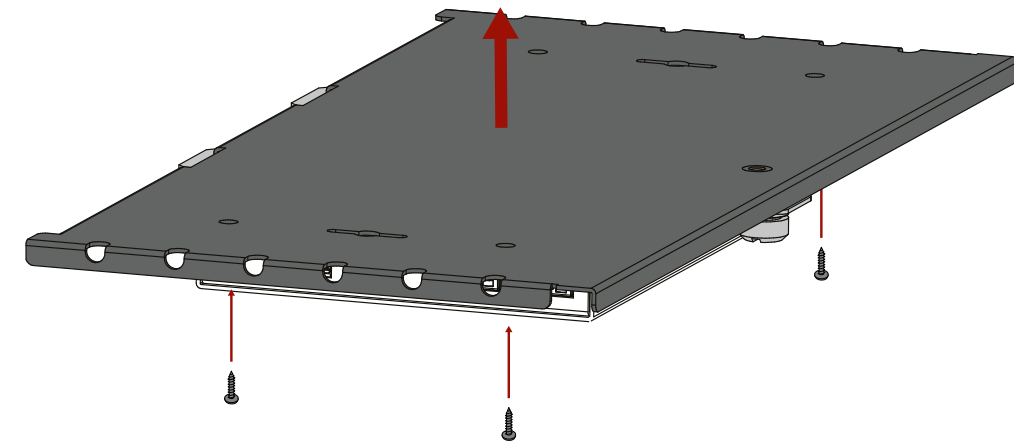
- 2 pcs. of PZ flat head screw (M3x6mm)

Mounting steps

- Step 1.** Turn the device(s) upside down.
- Step 2.** Place the mounting plate on the device(s). Position it to align the mounting holes.
- Step 3.** Fasten the device on the mounting plate with the supplied screws.
- Step 4.** Place the mounting plate into the mounting tray and fasten it using the screw on the side.

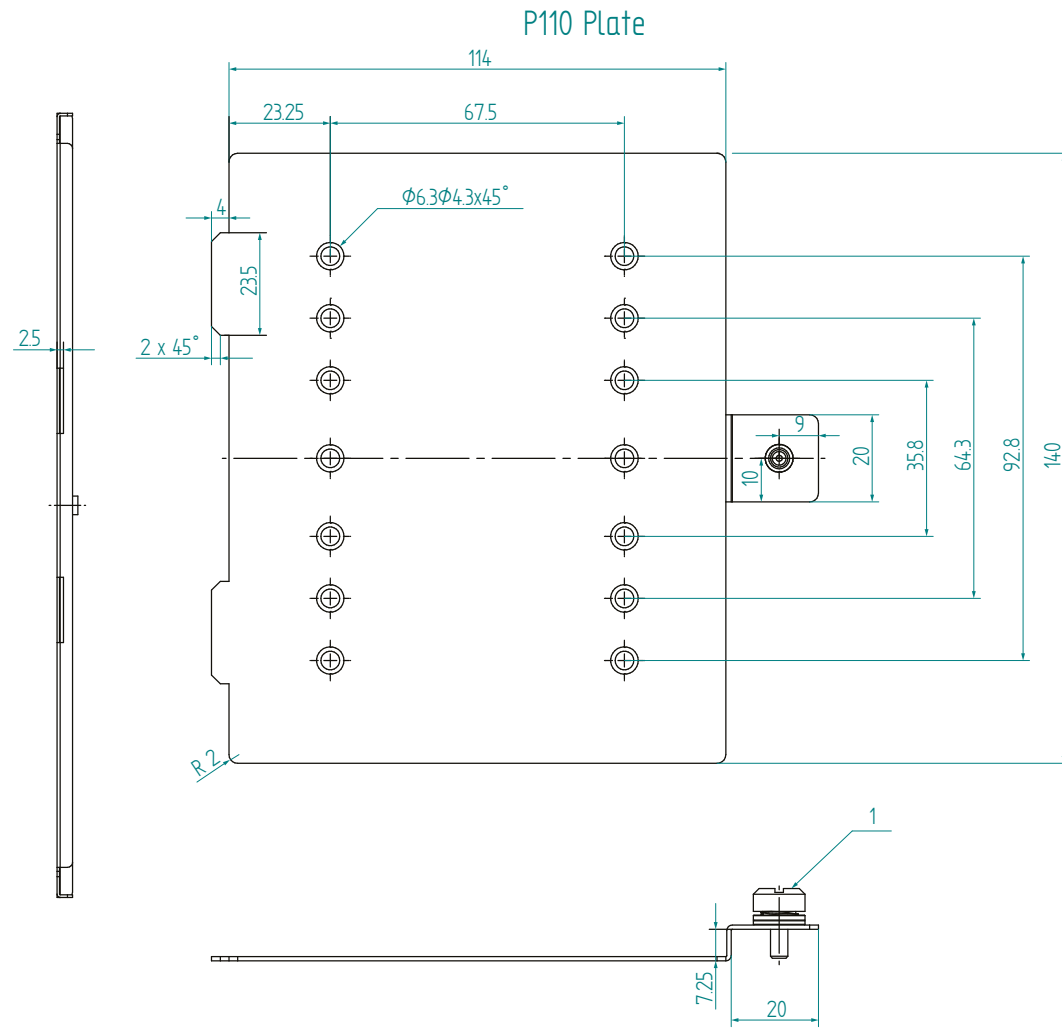
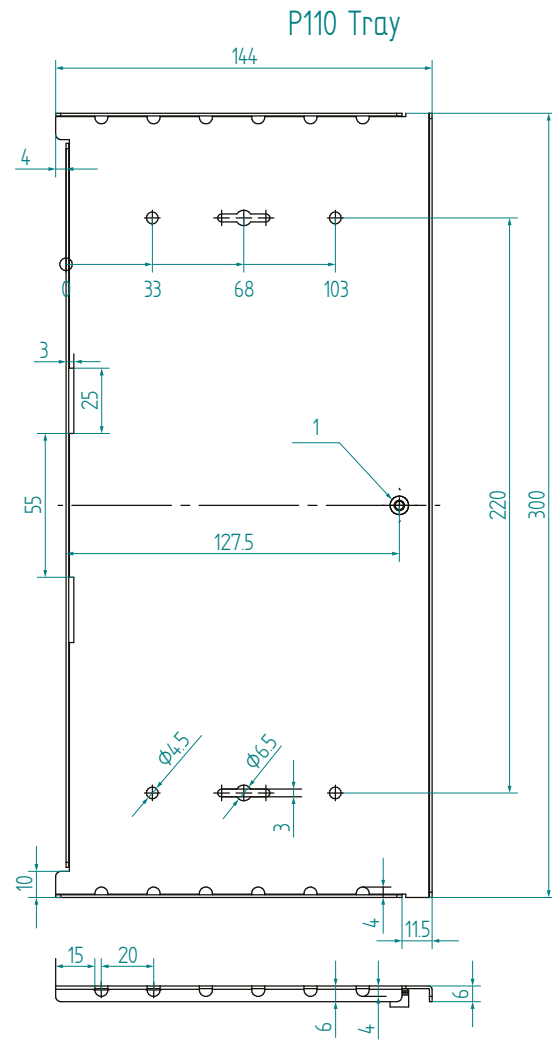


- Step 5.** Fix the assembled mounting kit to the desired surface by fastening the screws.



INFO: UD Mounting Pro P110 does not contain the fixing screws; they can be purchased from the local hardware store. 4pcs M3-M5 metric or wood screws are needed, M3 size is recommended.

Mechanical Drawings - UD Mounting Pro P110



1.9. UD Mounting Pro P210 and UD Mounting Pro P120/P130

WARNING! Always make sure to use screws supplied with your device (if there are any), as they are device-specific. The screws supplied with the accessories are longer and may be incompatible with some devices due to danger of touching internal parts and damaging the device. If your Lightware device is supplied with fixing screws, use them for fixing.

The P210 Mounting kit provides easy mounting for Taurus UCX devices to a flat surface (e.g. furniture).

ATTENTION! The dimensions of the actual PSU's are different. The **UD Mounting Pro P120** is for fixing the **PSU-24VP3-160**, and the **UD Mounting Pro P130** is for fixing the **PSU-24VP3-120**.

INFO: Please note that this UD Mounting Kit is only available for Taurus UCX devices.

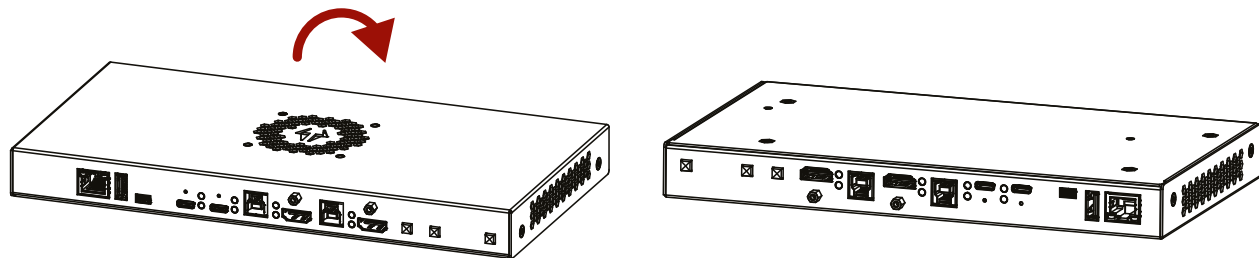
Supplied Accessories

2 pcs. of flat head screw (M3x6mm)[for P210]

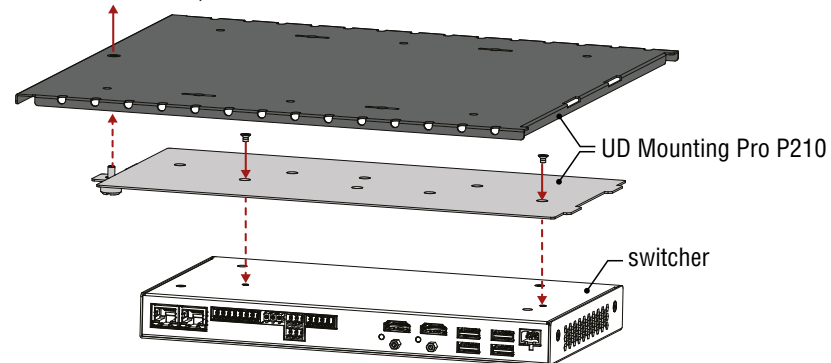
4 pcs. of pan head screw (M4x8mm)[for P120/P130]

Mounting steps

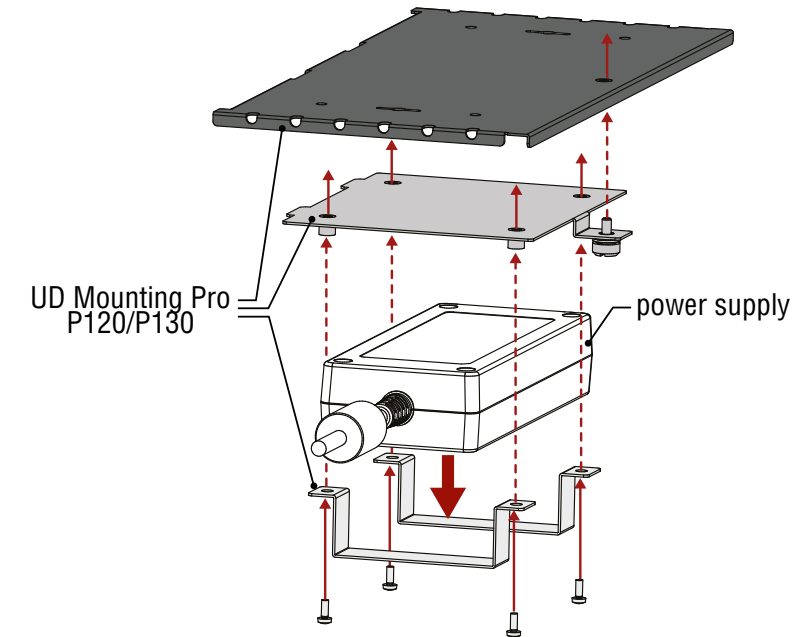
Step 1. Turn the switcher and the power adaptor upside down.



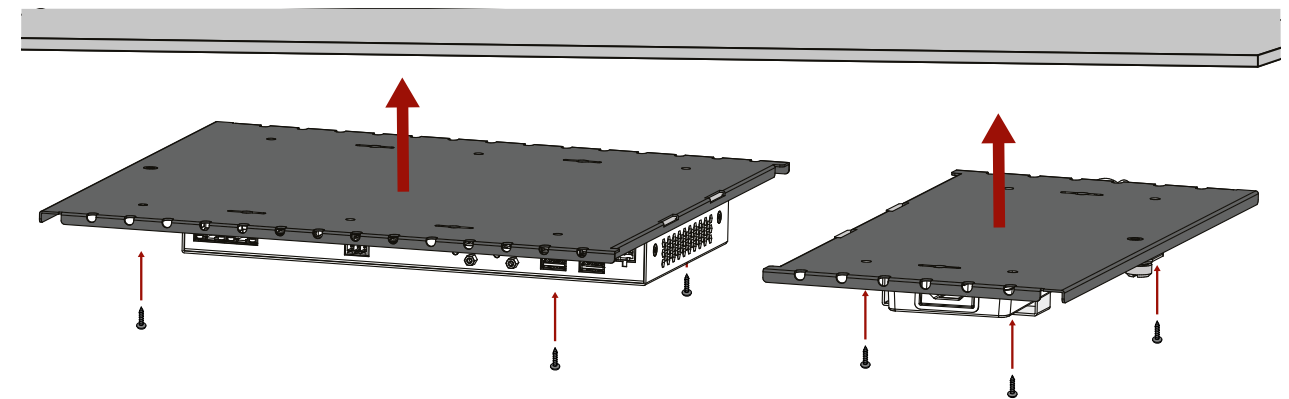
Step 2. Fix the **UD Mounting Pro P210** to the switcher by fastening the screws (these 2pcs of screws are supplied with the switcher).



Step 3. Insert the power supply into the **UD Mounting Pro P120/P130**.



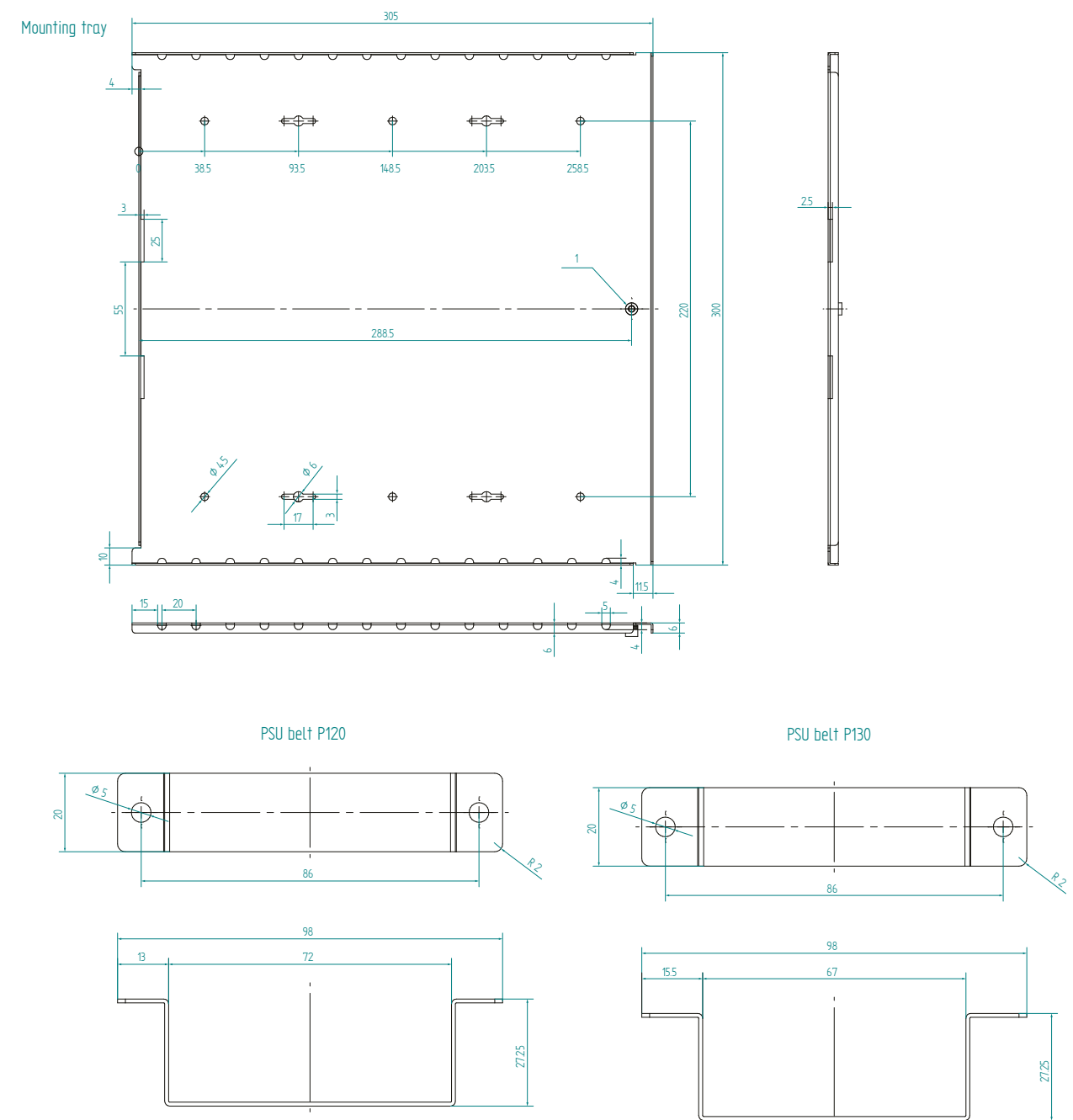
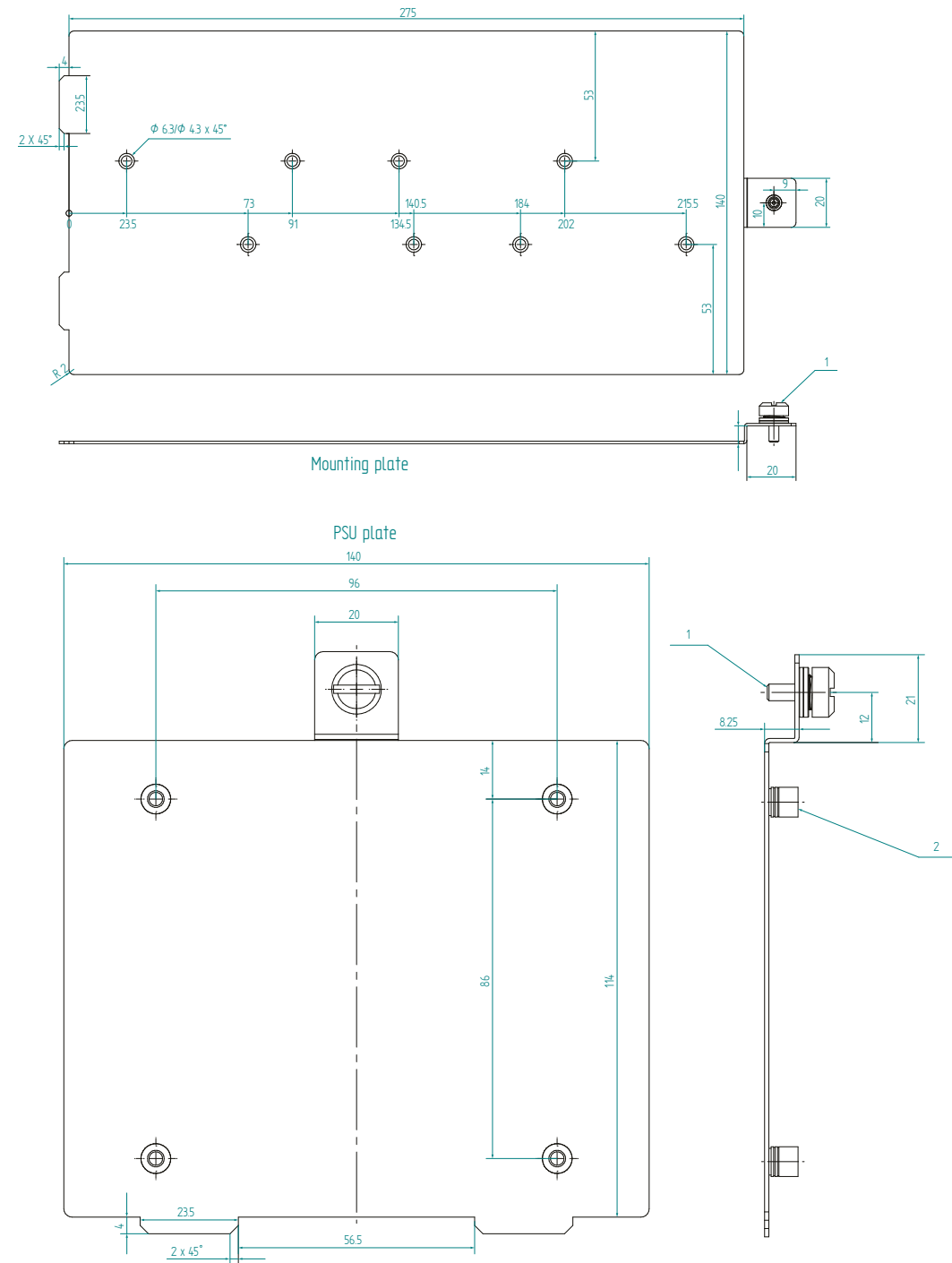
Step 4. Fix the **UD Mounting Pro P210** and **UD Mounting Pro P120/P130** under the desk by fastening the screws.



INFO: **UD Mounting Pro P210** and **UD Mounting Pro P120/P130** do not contain the fixing screws; they can be purchased from the local hardware store. 2x4pcs M3-M5 metric or wood screws are needed, M3 size is recommended.

ATTENTION! To ensure the correct ventilation and avoid overheating, insert the switcher face down to the **UD Mounting Pro P210** to keep the ventilation holes free.

Mechanical Drawings - UD Mounting Pro P210 and P120/P130



1.10. PRC-16 Series Rackmount Cage

WARNING! Always make sure to use screws supplied with your device (if there are any), as they are device-specific. The screws supplied with the accessories are longer and may be incompatible with some devices due to danger of touching internal parts and damaging the device. If your Lightware device is supplied with fixing screws, use them for fixing.

The PRC-16 series devices (Powered Rackmount Cage for up to 16 extenders; 5V / 12V power connector variants) are rack mount cage accessories enclosing up to 16 optical or AV over IP extenders or distribution amplifiers in any combination, also providing a power source for every installed device. Reliable, safe and secure operation is ensured by numerous built-in protections against short circuits and overloads.

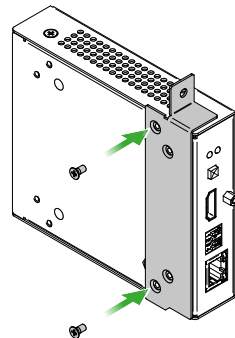


Supplied Accessories

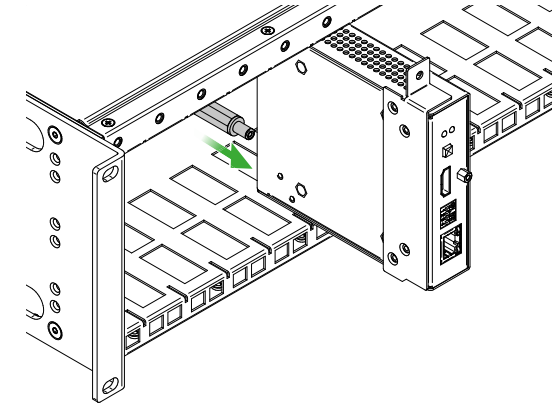
- 1 pc. of IEC power cable
- 16 pcs. of extender brackets
- 32 pcs. of flat head screw (M3x5mm)
- 16 pcs. of D head screw (M4x8mm)
- 32 pcs. of cable ties

Mounting steps

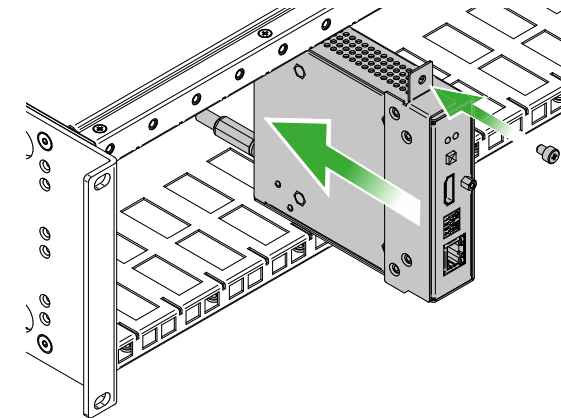
Step 1. Fasten the mounting bracket (highlighted with grey) onto the bottom of the extender with the provided M3x5mm PH flat head black screws (2 pcs. per bracket) with a PH2 screwdriver.



Step 2. Pull out the 5V DC (PRC-16-205) or 12V DC (PRC-16-312) power cable (highlighted with grey) that belongs to the desired slot from the enclosure and connect it to the power connector of the extender.

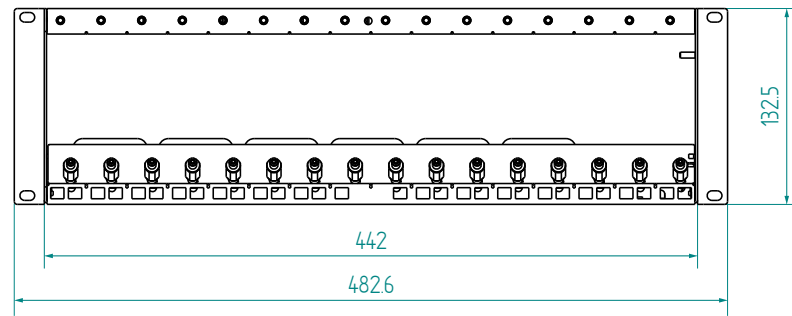


Step 3. Place the extender (highlighted with grey) into the desired mounting slot and fasten the extender bracket with 1 pc of M4x8mm PH D head unpainted screw with a PH1 screwdriver. Pay attention to the guide rails of the cage when placing the extender.

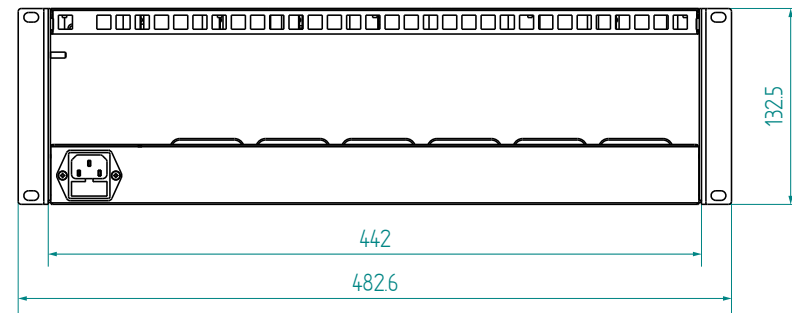


Mechanical drawings - PRC-16 series

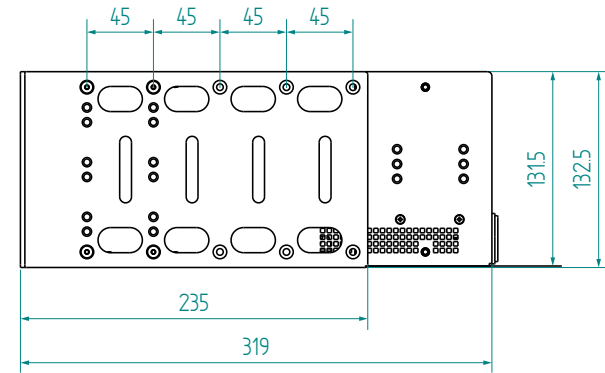
Front view



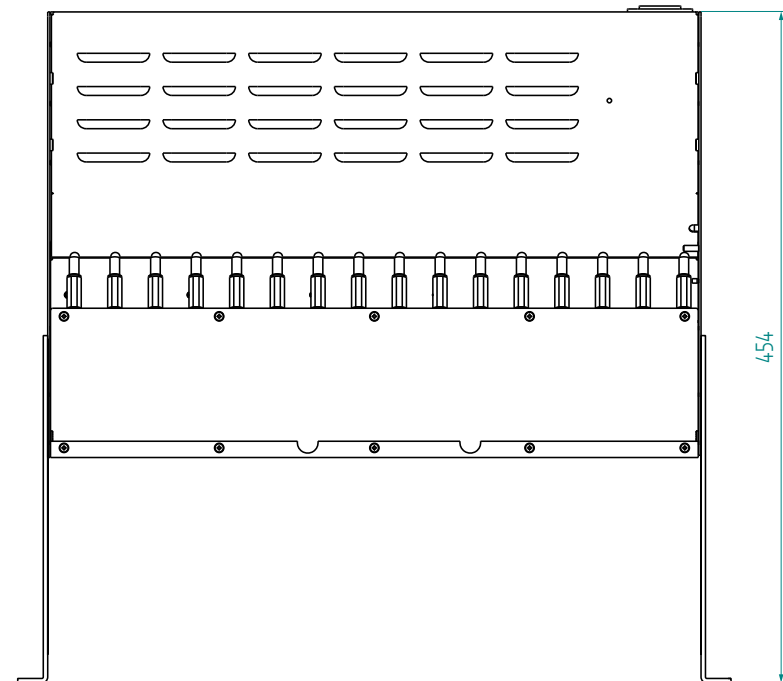
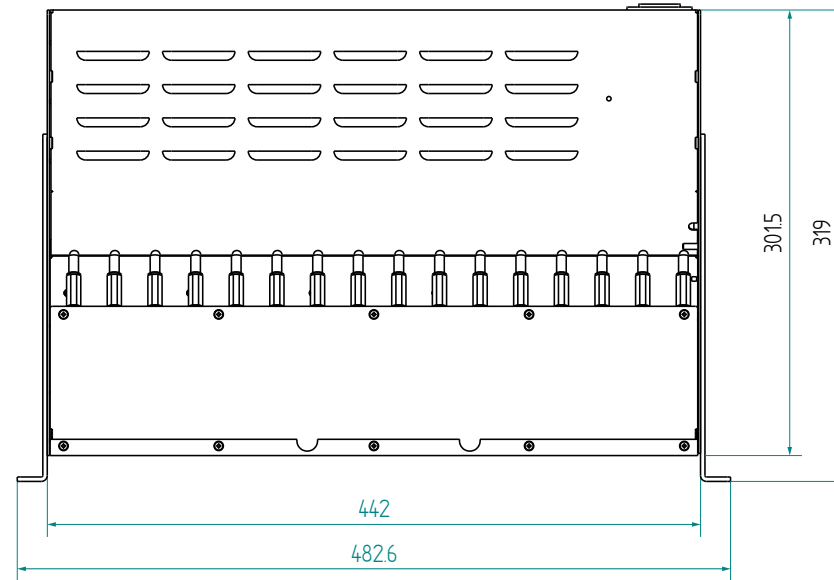
Rear view



Side view



Top view (Min and Max Depth)



1.12. UD Mounting Plate F120

WARNING! Always make sure to use screws supplied with your device (if there are any), as they are device-specific. The screws supplied with the accessories are longer and may be incompatible with some devices due to danger of touching internal parts and damaging the device. If your Lightware device is supplied with fixing screws, use them for fixing.

The F120 Mounting kit provides easy mounting for two quarter-rack devices or one half-rack device to a flat surface (e.g. furniture).



The mounting kit provides easy mounting to flat surfaces

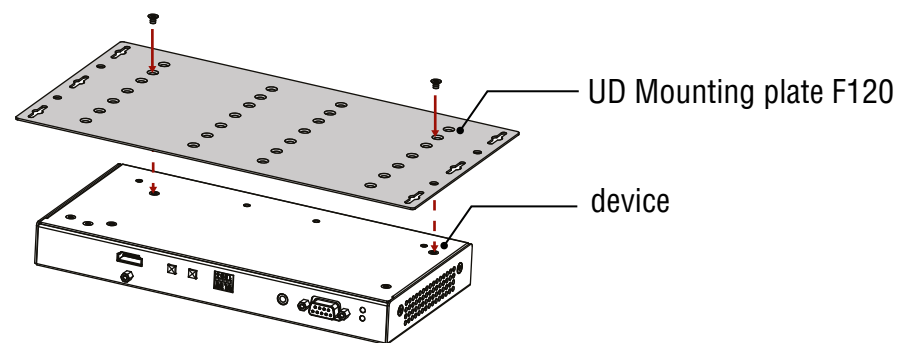
Supplied Accessories

2 pcs. of flat head screw (M3x5mm)

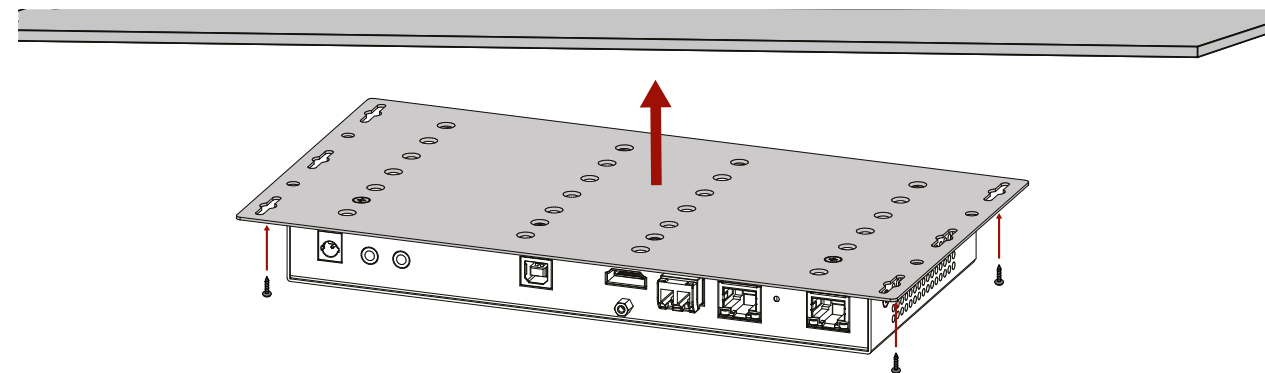
Mounting steps

Step 1. Turn the device upside down.

Step 2. Fix the UD Mounting Plate F120 to the device by fastening the screws.



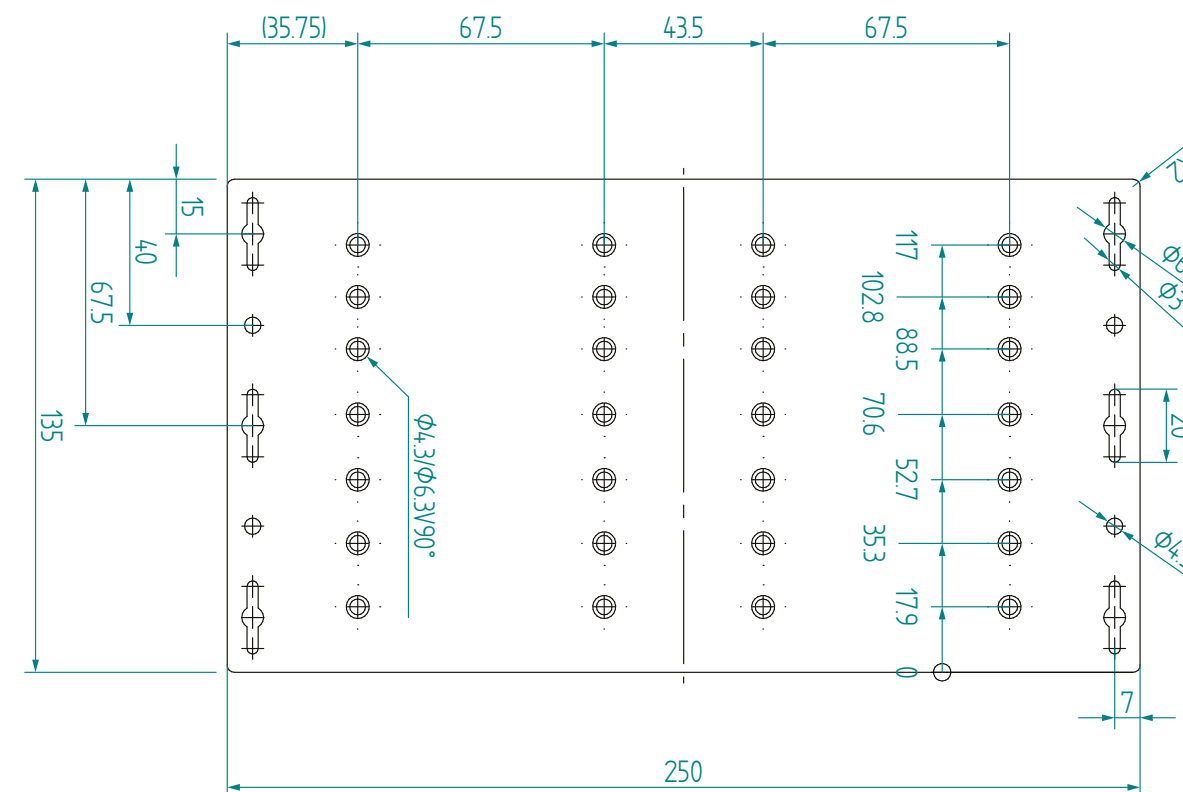
Step 3. Fix the UD Mounting Plate F120 under the desk by fastening the screws.



INFO: UD Mounting Plate F120 does not contain the fixing screws; they can be purchased from the local hardware store. 2x4pcs M3-M5 metric or wood screws are needed, M3 size is recommended.

ATTENTION! To ensure the correct ventilation and avoid overheating, insert the device face down to the UD Mounting Plate F120 to keep the ventilation holes free.

Mechanical drawings - UD Mounting Plate F120



1.13. UD Mounting Pro P140

WARNING! Always make sure to use screws supplied with your device (if there are any), as they are device-specific. The screws supplied with the accessories are longer and may be incompatible with some devices due to danger of touching internal parts and damaging the device. If your Lightware device is supplied with fixing screws, use them for fixing.

The P140 Mounting kit provides easy mounting for two quarter-rack devices or one half-rack device to a flat surface (e.g. furniture).



The mounting kit provides easy mounting to flat surfaces

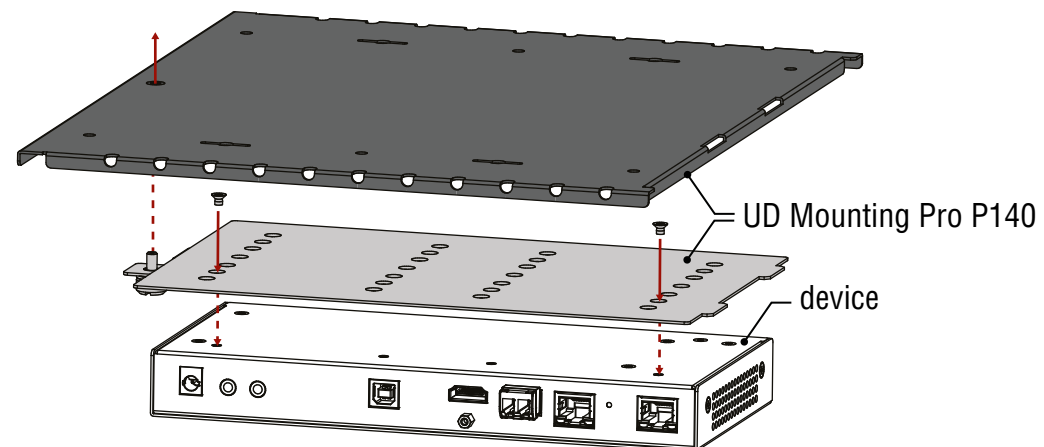
Supplied Accessories

2 pcs. of flat head screw (M3x4mm)

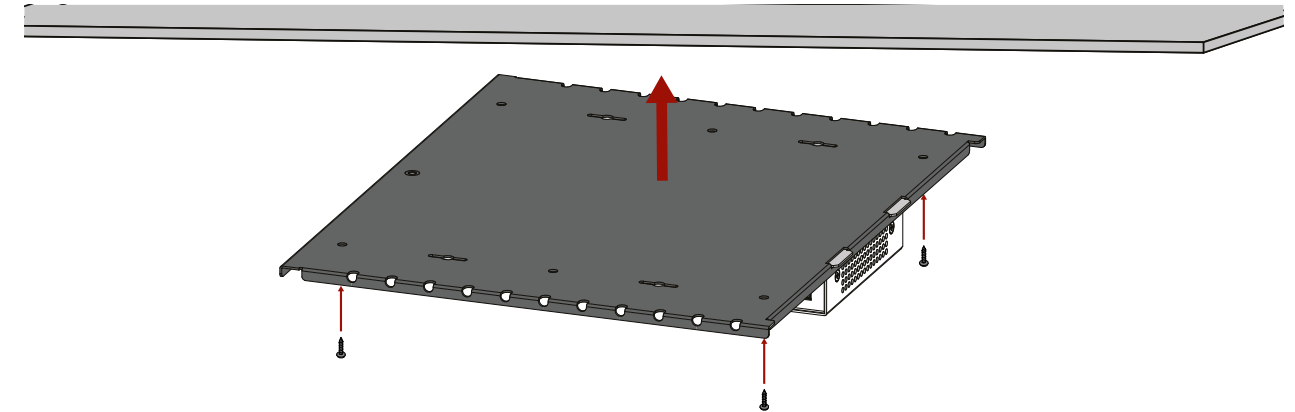
Mounting steps

Step 1. Turn the device upside down.

Step 2. Fix the UD Mounting Pro P140 to the device by fastening the screws.



Step 3. Fix the UD Mounting Pro P140 under the desk by fastening the screws.



INFO: UD Mounting Pro P140 does not contain the fixing screws; they can be purchased from the local hardware store. 2x4pcs M3-M5 metric or wood screws are needed, M3 size is recommended.

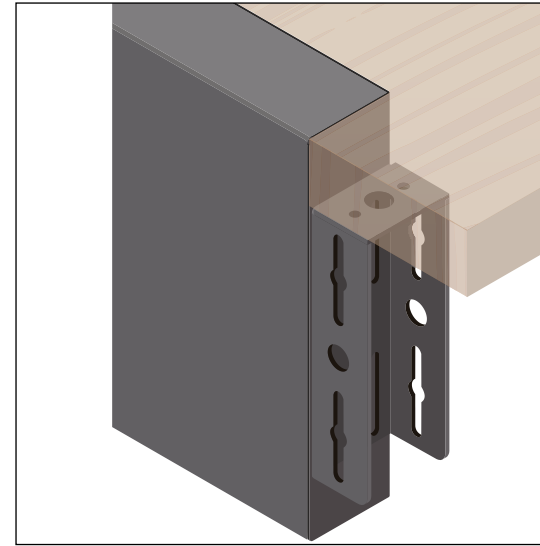
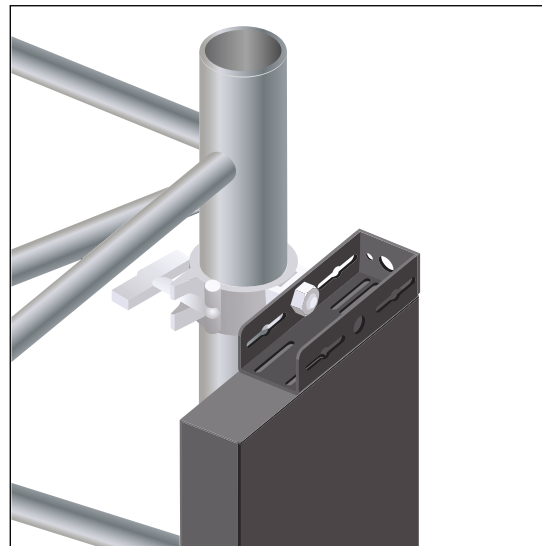
ATTENTION! To ensure the correct ventilation and avoid overheating, insert the device face down to the UD Mounting Pro P140 to keep the ventilation holes free.

1.14. Mounting Bracket

The Mounting Bracket makes through-furniture and under-desk mounting easy, while also allowing truss mounting with standard clamps for 1U high devices. The mounting bracket is also designed for truss mounting. Standard truss mount clamps can be connected to the brackets using an M8, M9 or M10 screw. The bracket is designed to withstand static load. Dynamic loading or static overloading could cause a reduction in reliability.



Dimensions: 120 W x 42.2 D x 30 H (mm)

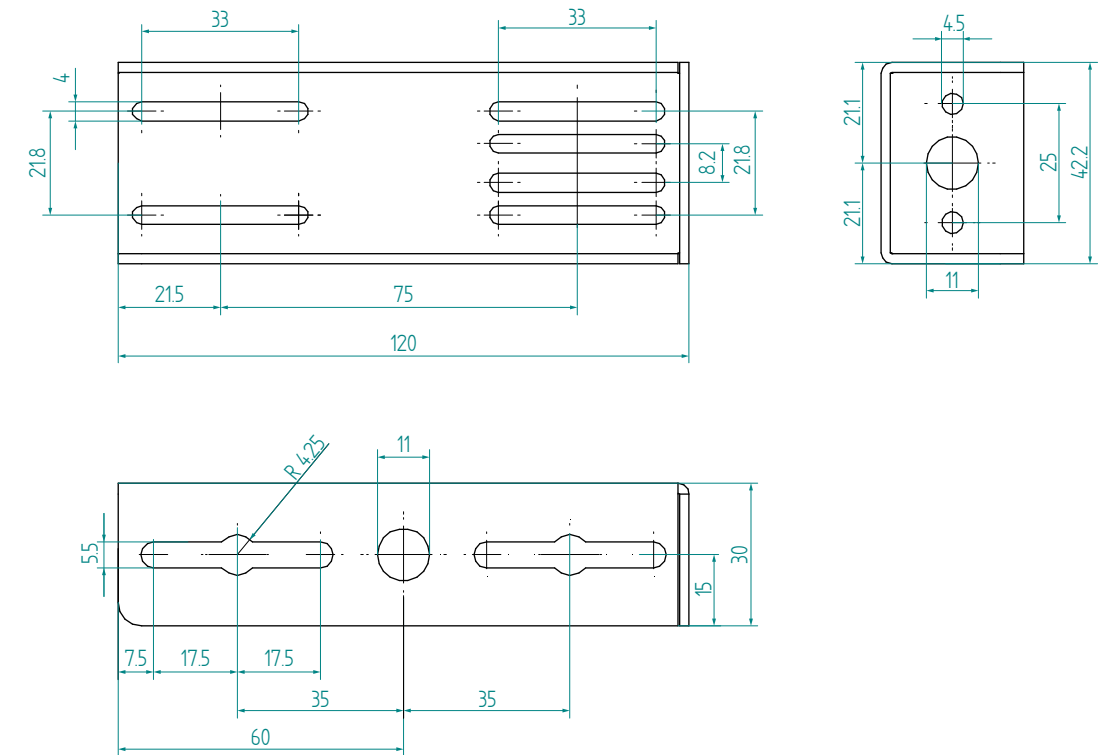


Truss Mounting (left), Built into a Piece of Furniture (right)

Supplied Accessories

- 4 pcs. pan head screw (M4x8mm, PH, steel).
- 4 pcs. M4 flat washer.

Mechanical Drawings - Mounting Bracket



1.15. Mounting Bracket V2

This accessory has the same features as the Mounting bracket, but the V2 version is designed for other products. It can carry the weight of one 1/2 rack unit (3kg maximum) in any direction, although we recommend using two brackets per unit in fixed installations for perfect stability.

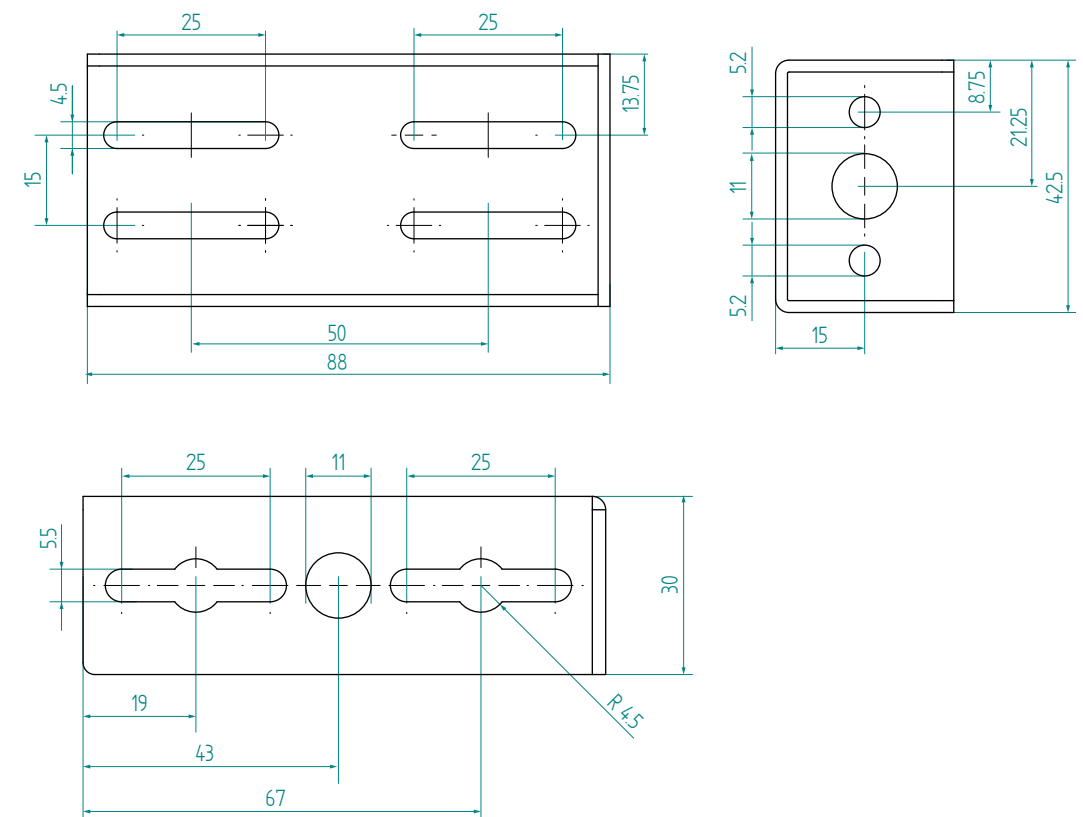


Dimensions: 88 W x 42.5 D x 30 H mm.

Supplied Accessories

- 4 pcs. pan head screw (M4x8mm, PH, steel).
- 4 pcs. M4 flat washer.

Mechanical Drawings - Mounting Bracket V2

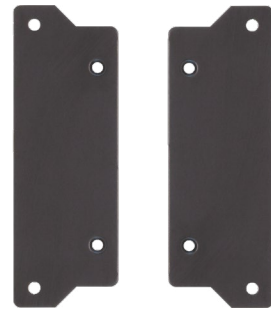


1.16. VESA100 Mounting Adapter

WARNING! Always make sure to use screws supplied with your device (if there are any), as they are device-specific. The screws supplied with the accessories are longer and may be incompatible with some devices due to danger of touching internal parts and damaging the device. If your Lightware device is supplied with fixing screws, use them for fixing.

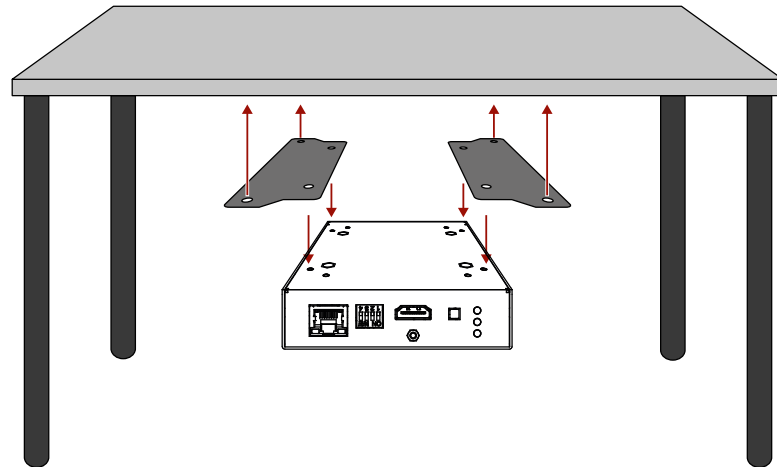
DIFFERENCE: VESA100 Mounting Adapter can only be used with the quarter-rack sized VINX extenders: VINX-120-HDMI-ENC and VINX-110-HDMI-DEC.

VESA100 Mounting Adapter provides easy mounting for quarter-rack-sized VINX devices to a flat surface (e.g. furniture).



Mounting under the Desk

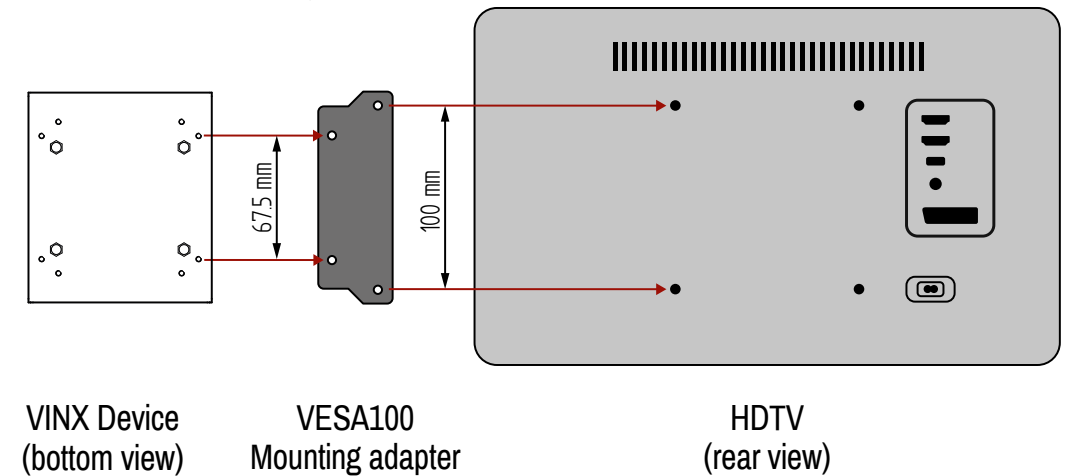
Two pieces of the adapter are needed for this kind of mounting. Fasten the adapters to the bottom of the extender and the desk as shown in the figure:



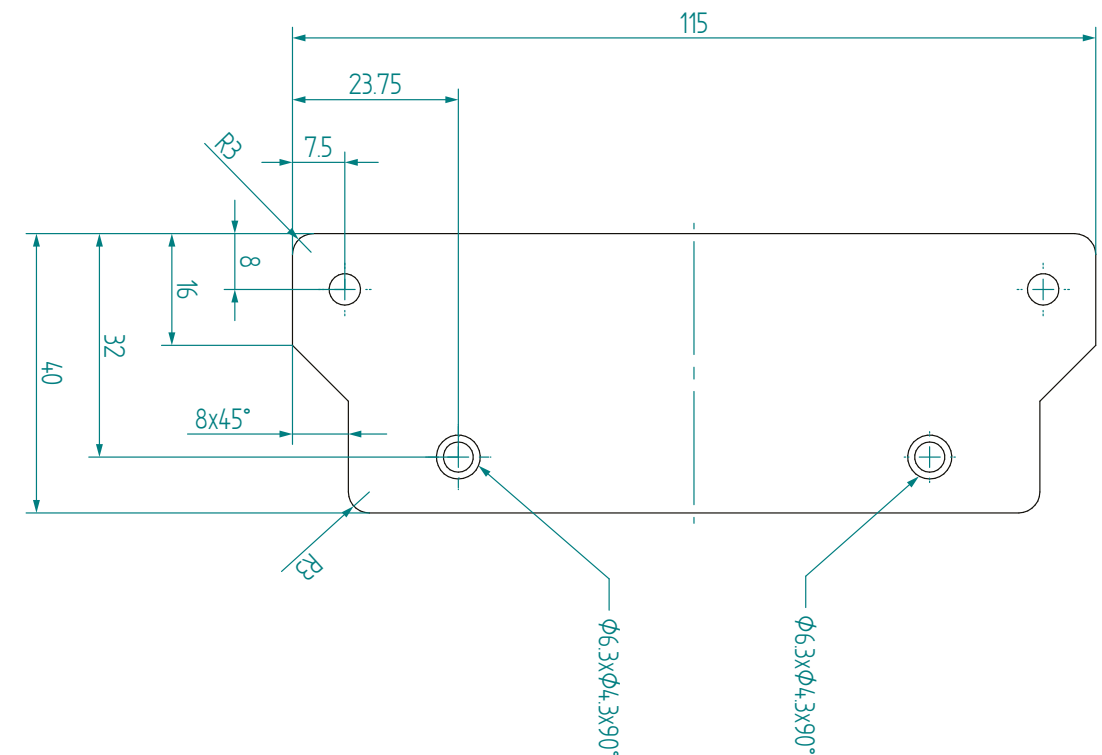
INFO: VESA100 Mounting Adapter does not contain the fixing screws; they can be purchased from the local hardware store. 2x4pcs M3-M5 metric or wood screws are needed, M3 size is recommended.

Mounting to a Display Device

Two mounting holes can be found on the bottom of the extender at each side; the VESA-compatible accessory plate can be fixed as indicated. The other two holes of the plate can be fixed to a VESA-compatible device (e.g. rear panel of an HDTV):



Mechanical Drawings - VESA100 Mounting Adapter



2

Compatibility Tables

In this chapter a list of compatible devices can be found for each mounting accessory.

2.1. Quarter-rack-sized Devices

| | Rack shelf | UD mounting kit | UD mounting kit double | UD Mounting Pro P110 | PRC-16-205 rackmount cage | PRC-16-312 rackmount cage | UD Mounting Plate F110 | UD Mounting Plate F120 | UD Mounting Pro P140 |
|---------------------|------------|-----------------|------------------------|----------------------|---------------------------|---------------------------|------------------------|------------------------|----------------------|
| DA2DVI-DL | ✓ | ✓ | ✓ | ✓ | ✗ | ✗ | ✓ | ✓ | ✓ |
| DA2DVI-HDCP-Pro | ✓ | ✗ | ✗ | ✓ | ✗ | ✗ | ✓ | ✓ | ✓ |
| DA4-3GSDI | ✓ | ✗ | ✗ | ✓ | ✗ | ✗ | ✓ | ✓ | ✓ |
| DP-OPT-TX100 | ✓ | ✓ | ✓ | ✓ | ✗ | ✗ | ✓ | ✓ | ✓ |
| DP-OPT-RX100 | ✓ | ✓ | ✓ | ✓ | ✗ | ✗ | ✓ | ✓ | ✓ |
| DP-OPT-TX150 | ✓ | ✗ | ✓ | ✓ | ✗ | ✗ | ✓ | ✓ | ✓ |
| DP-OPT-RX150 | ✓ | ✗ | ✓ | ✓ | ✗ | ✗ | ✓ | ✓ | ✓ |
| DVI-HDCP-TP-TX50 | ✓ | ✓ | ✓ | ✓ | ✗ | ✗ | ✓ | ✓ | ✓ |
| DVI-HDCP-TP-TX100R | ✓ | ✓ | ✓ | ✓ | ✗ | ✗ | ✓ | ✓ | ✓ |
| DVI-HDCP-TPS-TX97 | ✓ | ✓ | ✓ | ✓ | ✗ | ✗ | ✓ | ✓ | ✓ |
| DVI-HDCP-TPS-RX97 | ✓ | ✓ | ✓ | ✓ | ✗ | ✗ | ✓ | ✓ | ✓ |
| DVI-HDCP-TPS-TX95 | ✓ | ✓ | ✓ | ✓ | ✗ | ✗ | ✓ | ✓ | ✓ |
| DVI-HDCP-TPS-RX95 | ✓ | ✓ | ✓ | ✓ | ✗ | ✗ | ✓ | ✓ | ✓ |
| DVI-TP-TX200 | ✓ | ✓ | ✓ | ✓ | ✗ | ✗ | ✓ | ✓ | ✓ |
| DVI-TP-TX200DL | ✓ | ✓ | ✓ | ✓ | ✗ | ✗ | ✓ | ✓ | ✓ |
| DVI-TP-TX300 | ✓ | ✓ | ✓ | ✓ | ✗ | ✗ | ✓ | ✓ | ✓ |
| DVI-TP-RX100 | ✓ | ✓ | ✓ | ✓ | ✗ | ✗ | ✓ | ✓ | ✓ |
| DVI-TP-RX100DL | ✓ | ✓ | ✓ | ✓ | ✗ | ✗ | ✓ | ✓ | ✓ |
| DVI-HDCP-TP-RX50 | ✓ | ✓ | ✓ | ✓ | ✗ | ✗ | ✓ | ✓ | ✓ |
| DVI-HDCP-TP-RX100R | ✓ | ✓ | ✓ | ✓ | ✗ | ✗ | ✓ | ✓ | ✓ |
| DVIDL-OPT-TX200 | ✓ | ✗ | ✗ | ✓ | ✗ | ✗ | ✓ | ✓ | ✓ |
| DVIDL-OPT-RX100 | ✓ | ✗ | ✗ | ✓ | ✗ | ✗ | ✓ | ✓ | ✓ |
| HDMI-3D-OPT-RX150RA | ✓ | ✓ | ✓ | ✓ | ✓ | ✗ | ✓ | ✓ | ✓ |
| HDMI-3D-OPT-TX210DD | ✓ | ✓ | ✓ | ✓ | ✗ | ✗ | ✓ | ✓ | ✓ |
| HDMI-OPT-TX100 | ✓ | ✓ | ✓ | ✓ | ✓ | ✗ | ✓ | ✓ | ✓ |
| HDMI-OPT-TX100R | ✓ | ✓ | ✓ | ✓ | ✓ | ✗ | ✓ | ✓ | ✓ |
| HDMI-OPT-TX-200R | ✓ | ✓ | ✓ | ✓ | ✓ | ✗ | ✓ | ✓ | ✓ |
| HDMI-OPT-RX100 | ✓ | ✓ | ✓ | ✓ | ✓ | ✗ | ✓ | ✓ | ✓ |
| HDMI-OPT-RX100R | ✓ | ✓ | ✓ | ✓ | ✓ | ✗ | ✓ | ✓ | ✓ |
| HDMI-OPT-RX200R | ✓ | ✓ | ✓ | ✓ | ✓ | ✗ | ✓ | ✓ | ✓ |
| HDMI-OPTX-TX100A | ✓ | ✓ | ✓ | ✓ | ✗ | ✓ | ✓ | ✓ | ✓ |
| HDMI-OPTX-RX100A | ✓ | ✓ | ✓ | ✓ | ✗ | ✓ | ✓ | ✓ | ✓ |
| HDMI-OPTX-TX200AU2K | ✓ | ✓ | ✓ | ✓ | ✗ | ✓ | ✓ | ✓ | ✓ |
| HDMI-OPTX-RX100AU2K | ✓ | ✓ | ✓ | ✓ | ✗ | ✓ | ✓ | ✓ | ✓ |
| HDMI-TP-TX50 | ✓ | ✓ | ✓ | ✓ | ✗ | ✗ | ✓ | ✓ | ✓ |

| | Rack shelf | UD mounting kit | UD mounting kit double | UD Mounting Pro P110 | PRC-16-205 rackmount cage | PRC-16-312 rackmount cage | UD Mounting Plate F110 | UD Mounting Plate F120 | UD Mounting Pro P140 |
|--------------------|------------|-----------------|------------------------|----------------------|---------------------------|---------------------------|------------------------|------------------------|----------------------|
| HDMI-TP-TX100R | ✓ | ✓ | ✓ | ✓ | ✗ | ✗ | ✓ | ✓ | ✓ |
| HDMI-TP-TX200R | ✓ | ✓ | ✓ | ✓ | ✗ | ✗ | ✓ | ✓ | ✓ |
| HDMI-TP-RX50 | ✓ | ✓ | ✓ | ✓ | ✗ | ✗ | ✓ | ✓ | ✓ |
| HDMI-TP-RX100R | ✓ | ✓ | ✓ | ✓ | ✗ | ✗ | ✓ | ✓ | ✓ |
| HDMI-TP-RX100RA | ✓ | ✓ | ✓ | ✓ | ✗ | ✗ | ✓ | ✓ | ✓ |
| HDMI-TP-RX200R | ✓ | ✓ | ✓ | ✓ | ✗ | ✗ | ✓ | ✓ | ✓ |
| HDMI-TPN-TX107 | ✓ | ✗ | ✗ | ✓ | ✗ | ✗ | ✓ | ✓ | ✓ |
| HDMI-TPN-RX107 | ✓ | ✗ | ✗ | ✓ | ✗ | ✗ | ✓ | ✓ | ✓ |
| HDMI-TPN-TX207AU2K | ✓ | ✗ | ✗ | ✓ | ✗ | ✗ | ✓ | ✓ | ✓ |
| HDMI-TPN-RX107AU2K | ✓ | ✗ | ✗ | ✓ | ✗ | ✗ | ✓ | ✓ | ✓ |
| HDMI-TPS-TX97 | ✓ | ✓ | ✓ | ✓ | ✗ | ✓ | ✓ | ✓ | ✓ |
| HDMI-TPS-RX97 | ✓ | ✓ | ✓ | ✓ | ✗ | ✓ | ✓ | ✓ | ✓ |
| HDMI-TPS-TX95 | ✓ | ✓ | ✓ | ✓ | ✗ | ✗ | ✓ | ✓ | ✓ |
| HDMI-TPS-RX95 | ✓ | ✓ | ✓ | ✓ | ✗ | ✗ | ✓ | ✓ | ✓ |
| HDMI-TPS-TX86 | ✓ | ✓ | ✓ | ✓ | ✗ | ✓ | ✓ | ✓ | ✓ |
| HDMI-TPS-RX86 | ✓ | ✓ | ✓ | ✓ | ✗ | ✓ | ✓ | ✓ | ✓ |
| HDMI-TPS-TX87 | ✓ | ✓ | ✓ | ✓ | ✗ | ✓ | ✓ | ✓ | ✓ |
| HDMI-TPS-RX87 | ✓ | ✓ | ✓ | ✓ | ✗ | ✓ | ✓ | ✓ | ✓ |
| HDMI-TPS-TX96 | ✓ | ✓ | ✓ | ✓ | ✗ | ✓ | ✓ | ✓ | ✓ |
| HDMI-TPS-RX96 | ✓ | ✓ | ✓ | ✓ | ✗ | ✓ | ✓ | ✓ | ✓ |
| HDMI-TPX-TX106 | ✓ | ✗ | ✗ | ✓ | ✗ | ✓ | ✓ | ✓ | ✓ |
| HDMI-TPX-TX106A | ✓ | ✗ | ✗ | ✓ | ✗ | ✓ | ✓ | ✓ | ✓ |
| HDMI-TPX-RX106 | ✓ | ✗ | ✗ | ✓ | ✗ | ✓ | ✓ | ✓ | ✓ |
| HDMI-TPX-TX107 | ✓ | ✗ | ✗ | ✓ | ✗ | ✗ | ✓ | ✓ | ✓ |
| HDMI-TPX-RX107 | ✓ | ✗ | ✗ | ✓ | ✗ | ✗ | ✓ | ✓ | ✓ |
| HDMI-TPX-TX107AU2 | ✗ | ✗ | ✗ | ✓ | ✗ | ✓ | ✓ | ✓ | ✓ |
| HDMI-TPX-RX109AU2K | ✗ | ✗ | ✗ | ✓ | ✗ | ✓ | ✓ | ✓ | ✓ |
| HDMI-TPX-TX209AK | ✓ | ✗ | ✗ | ✓ | ✗ | ✗ | ✓ | ✓ | ✓ |
| HDMI-TPX-RX209AK | ✓ | ✗ | ✗ | ✓ | ✗ | ✗ | ✓ | ✓ | ✓ |
| RAC-B501 | ✓ | ✗ | ✗ | ✓ | ✗ | ✗ | ✓ | ✓ | ✓ |
| USB20-1GBE-DS4 | ✓ | ✓ | ✓ | ✓ | ✗ | ✗ | ✓ | ✓ | ✓ |
| USB20-1GBE-DS4P | ✓ | ✓ | ✓ | ✓ | ✗ | ✗ | ✓ | ✓ | ✓ |
| USB20-1GBE-HS10 | ✓ | ✓ | ✓ | ✓ | ✗ | ✗ | ✓ | ✓ | ✓ |
| USB20-1GBE-HS13P | ✓ | ✓ | ✓ | ✓ | ✗ | ✗ | ✓ | ✓ | ✓ |
| VINX-120-HDMI-ENC | ✓ | ✓ | ✓ | ✓ | ✓ | ✗ | ✓ | ✓ | ✓ |
| VINX-110-HDMI-DEC | ✓ | ✓ | ✓ | ✓ | ✓ | ✗ | ✓ | ✓ | ✓ |

2.2. Half-rack-sized Devices

| | Rack shelf | UD mounting kit double | Rack ears | Mounting bracket | UD Mounting Plate F120 | UD Mounting Pro P140 |
|-----------------------|------------|------------------------|-----------|------------------|------------------------|----------------------|
| DP-TPS-TX210 | ✓ | ✓ | ✗ | ✗ | ✓ | ✓ |
| DP-TPS-TX220 | ✓ | ✓ | ✗ | ✗ | ✓ | ✓ |
| DVI-HDCP-TPS-TX210 | ✓ | ✓ | ✗ | ✗ | ✓ | ✓ |
| DVI-HDCP-TPS-TX220 | ✓ | ✓ | ✗ | ✗ | ✓ | ✓ |
| DVI-OPT-TX220-Pro | ✓ | ✗ | ✗ | ✓ | ✓ | ✓ |
| DVI-OPT-TX220-ST-Pro | ✓ | ✗ | ✗ | ✓ | ✓ | ✓ |
| DVI-OPT-RX220-Pro | ✓ | ✗ | ✗ | ✓ | ✓ | ✓ |
| DVI-OPT-RX220-ST-Pro | ✓ | ✗ | ✗ | ✓ | ✓ | ✓ |
| HDMI-3D-OPT-RX110DD | ✓ | ✓ | ✗ | ✗ | ✓ | ✓ |
| HDMI-3D-OPT-TX210A | ✓ | ✓ | ✗ | ✗ | ✓ | ✓ |
| HDMI-3D-OPT-TX210AS | ✓ | ✓ | ✗ | ✗ | ✓ | ✓ |
| HDMI-3D-OPT-TX210RAK | ✓ | ✓ | ✗ | ✗ | ✓ | ✓ |
| HDMI-TPS-RX110AY | ✓ | ✓ | ✗ | ✗ | ✓ | ✓ |
| HDMI-TPS-RX110AY-Plus | ✓ | ✓ | ✗ | ✗ | ✓ | ✓ |
| HDMI-TPS-RX220AK | ✓ | ✓ | ✗ | ✗ | ✓ | ✓ |
| HDMI-TPS-TX210 | ✓ | ✓ | ✗ | ✗ | ✓ | ✓ |
| HDMI-TPS-TX220 | ✓ | ✓ | ✗ | ✗ | ✓ | ✓ |
| HDMI-TPS-TX226 | ✓ | ✓ | ✗ | ✗ | ✓ | ✓ |
| MMX2-4x3-H20 | ✓ | ✓ | ✗ | ✗ | ✓ | ✓ |
| MMX2-4x1-H20 | ✓ | ✓ | ✗ | ✗ | ✓ | ✓ |
| MMX4x2-HDMI | ✓ | ✓ | ✗ | ✗ | ✓ | ✓ |
| MMX4x2-HT200 | ✓ | ✓ | ✗ | ✗ | ✓ | ✓ |
| MMX4x2-HDMI-USB20-L | ✓ | ✗ | ✓ | ✗ | ✓ | ✓ |
| SW4-TPS-TX240 | ✓ | ✓ | ✗ | ✗ | ✓ | ✓ |
| SW4-TPS-TX240-Plus | ✓ | ✓ | ✗ | ✗ | ✓ | ✓ |
| SW4-OPT-TX240RAK | ✓ | ✓ | ✗ | ✗ | ✓ | ✓ |
| UMX-TPS-TX120 | ✓ | ✓ | ✗ | ✗ | ✓ | ✓ |
| UMX-TPS-TX130 | ✓ | ✓ | ✗ | ✗ | ✓ | ✓ |
| UMX-TPS-TX140 | ✓ | ✓ | ✗ | ✗ | ✓ | ✓ |
| UMX-OPT-TX150R | ✓ | ✓ | ✗ | ✗ | ✓ | ✓ |
| UBEX-PRO20-HDMI-F100 | ✓ | ✗ | ✗ | ✓ | ✓ | ✓ |
| UBEX-PRO20-HDMI-F110 | ✓ | ✗ | ✗ | ✓ | ✓ | ✓ |
| UBEX-PRO20-HDMI-F120 | ✓ | ✗ | ✗ | ✓ | ✓ | ✓ |
| UBEX-PRO20-HDMI-R100 | ✗ | ✗ | ✓ | ✗ | ✓ | ✓ |
| UMX-HDMI-140 | ✓ | ✓ | ✗ | ✗ | ✓ | ✓ |
| UMX-HDMI-140-Plus | ✓ | ✓ | ✗ | ✗ | ✓ | ✓ |

| | Rack shelf | UD mounting kit double | Rack ears | Mounting bracket | UD Mounting Plate F120 | UD Mounting Pro P140 |
|-------------------------|------------|------------------------|-----------|------------------|------------------------|----------------------|
| UMX-TP-TX100R | ✓ | ✓ | ✗ | ✗ | ✓ | ✓ |
| UMX-TPS-TX120 | ✓ | ✓ | ✗ | ✗ | ✓ | ✓ |
| UMX-TPS-TX130 | ✓ | ✓ | ✗ | ✗ | ✓ | ✓ |
| UMX-TPS-TX140 | ✓ | ✓ | ✗ | ✗ | ✓ | ✓ |
| UMX-TPS-TX-140K | ✓ | ✓ | ✗ | ✗ | ✓ | ✓ |
| UMX-TPS-TX140-Plus | ✓ | ✓ | ✗ | ✗ | ✓ | ✓ |
| VINX-110AP-HDMI-ENC | ✓ | ✓ | ✗ | ✗ | ✓ | ✓ |
| VINX-120AP-HDMI-ENC | ✓ | ✓ | ✗ | ✗ | ✓ | ✓ |
| VINX-120AP-HDMI-ENC-DNT | ✓ | ✓ | ✗ | ✗ | ✓ | ✓ |
| VINX-210AP-HDMI-ENC | ✓ | ✓ | ✗ | ✗ | ✓ | ✓ |

2.3. Third-rack-sized Devices

| | Rack shelf | UD Mounting Plate F120 | UD Mounting Pro P140 |
|-----------------------|------------|------------------------|----------------------|
| HDMI-TPN-RX107A-SR | ✓ | ✓ | ✓ |
| HDMI-TPN-RX107AU2K-SR | ✓ | ✓ | ✓ |

2.4. Full-rack-sized devices

| | Rack ears | Mounting bracket |
|-------------------------|-----------|------------------|
| MMX6x2-HT200 | ✓ | ✓ |
| MMX6x2-HT210 | ✓ | ✓ |
| MMX6x2-HT220 | ✓ | ✓ |
| MMX8x4-HT400MC | ✓ | ✗ |
| MMX8x4-HT420M | ✓ | ✗ |
| MMX8x8-HT440 | ✓ | ✗ |
| MMX8x8-HT080 | ✓ | ✗ |
| MMX8x8-HDMI-4K-A | ✓ | ✗ |
| MMX8x8-HDMI-4K-A-USB20 | ✓ | ✗ |
| MX2-Standalone matrices | ✓ | ✗ |
| MX8x8HDMI-Pro | ✓ | ✗ |
| MX8x8DVI-HDCP-Pro | ✓ | ✗ |
| UBEX-MMU-X200 | ✓ | ✗ |

2.5. UCX Devices

| | Rack shelf | UD Mounting Plate F100 | UD Mounting Plate F110 | UD Mounting PSU F100/F110 | UD Mounting PSU F120 | UD Mounting Pro P110 | UD Mounting Pro P210 | UD Mounting PSU P120/P130 |
|--------------------|------------|------------------------|------------------------|---------------------------|----------------------|----------------------|----------------------|---------------------------|
| DCX-2x1-HC10 | ✓ | ✓ | ✗ | ✓ | ✗ | ✗ | ✓ | ✓ |
| HDMI-UCX-TPX-RX107 | ✓ | ✗ | ✓ | ✗ | ✗ | ✓ | ✗ | ✗ |
| UCX-2x1-HC30 | ✓ | ✓ | ✗ | ✓ | ✗ | ✗ | ✓ | ✓ |
| UCX-2x1-HC40 | ✓ | ✓ | ✗ | ✓ | ✗ | ✗ | ✓ | ✓ |
| UCX-2x1-TPX-TX20 | ✓ | ✓ | ✗ | ✓ | ✗ | ✗ | ✓ | ✓ |
| UCX-2x2-H30 | ✓ | ✓ | ✗ | ✓ | ✗ | ✗ | ✓ | ✓ |
| UCX-2x2-H40 | ✓ | ✓ | ✗ | ✓ | ✗ | ✗ | ✓ | ✓ |
| UCX-4x2-HC30 | ✓ | ✓ | ✗ | ✓ | ✗ | ✗ | ✓ | ✓ |
| UCX-4x2-HC40 | ✓ | ✓ | ✗ | ✓ | ✗ | ✗ | ✓ | ✓ |
| UCX-4x2-HC30D | ✓ | ✓ | ✗ | ✓ | ✗ | ✗ | ✓ | ✓ |
| UCX-4x2-HC40D | ✓ | ✓ | ✗ | ✓ | ✗ | ✗ | ✓ | ✓ |
| UCX-4x3-HC40-BD | ✓ | ✓ | ✗ | ✓ | ✗ | ✗ | ✓ | ✓ |
| UCX-4x3-HC40 | ✓ | ✓ | ✗ | ✓ | ✗ | ✗ | ✓ | ✓ |
| UCX-4x3-TPX-TX20 | ✓ | ✓ | ✗ | ✗ | ✓ | ✗ | ✓ | ✗ |